



US00D468614S

(12) **United States Design Patent**
Kanzawa

(10) **Patent No.:** **US D468,614 S**

(45) **Date of Patent:** **** Jan. 14, 2003**

(54) **HANDLE FOR FOLDING SAW**
(75) Inventor: **Kuniyuki Kanzawa, Miki (JP)**
(73) Assignee: **Kanzawa Seiko Co., Ltd., Hyogo (JP)**
(**) Term: **14 Years**

D307,702 S * 5/1990 Hsu D8/107
D341,761 S * 11/1993 Weimann D8/97
D357,166 S * 4/1995 Concari D8/107
D397,281 S * 8/1998 Hsu D8/95
D411,429 S * 6/1999 Gringer D8/95
D429,137 S * 8/2000 Eriksson et al. D8/95
D440,855 S * 4/2001 Wang D8/107

(21) Appl. No.: **29/142,303**
(22) Filed: **May 23, 2001**

* cited by examiner

Primary Examiner—Philip S. Hyder
(74) *Attorney, Agent, or Firm*—Koda & Androlia

(30) **Foreign Application Priority Data**

(57) **CLAIM**

Nov. 24, 2000 (JP) 2000-033543

The ornamental design for a handle for folding saw, as shown and described.

(51) **LOC (7) Cl.** **08-03**
(52) **U.S. Cl.** **D8/97; D8/107**
(58) **Field of Search** D8/95, 96, 97,
D8/98, 99, 107; 30/166.3, 155, 509, 514

DESCRIPTION

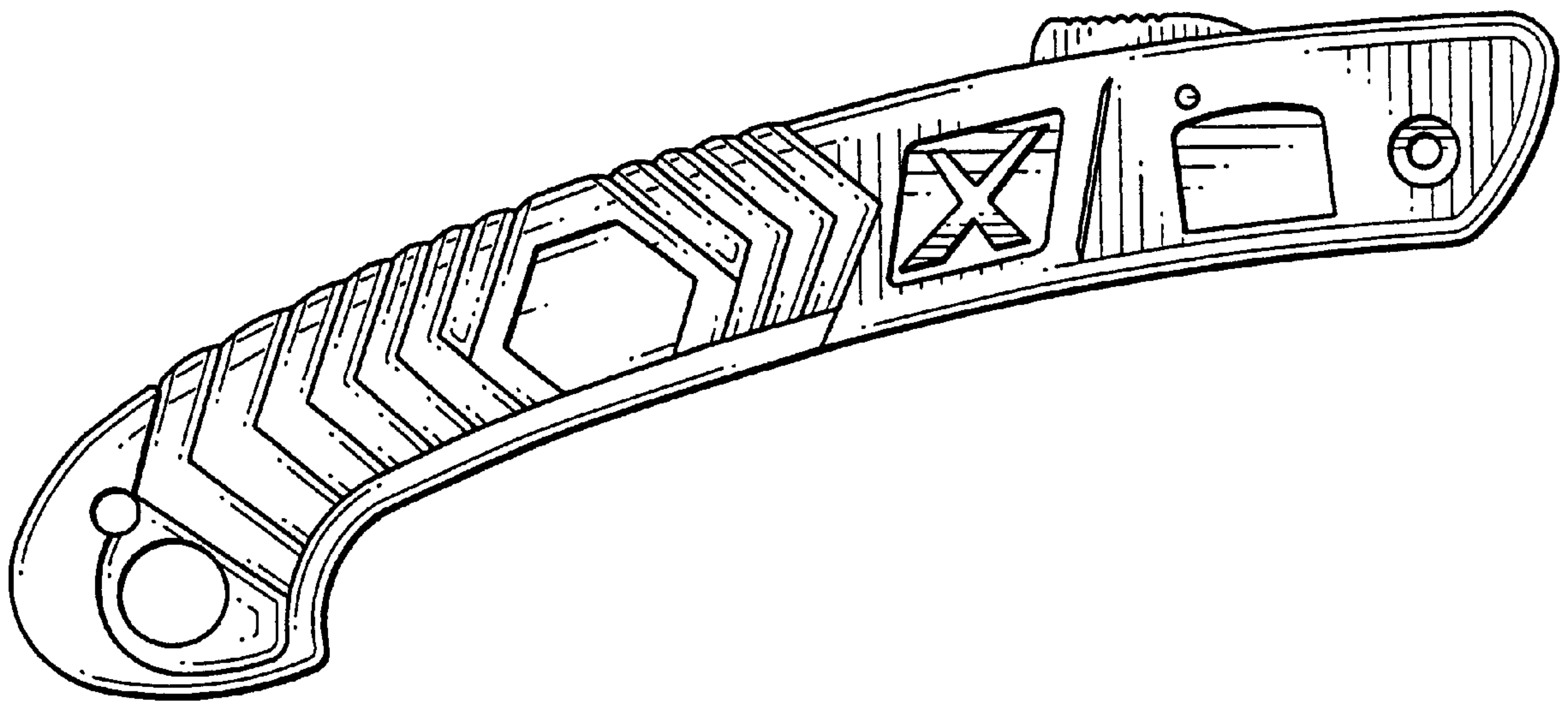
(56) **References Cited**

FIG. 1 is a front elevational view of the handle for folding saw showing my new design;
FIG. 2 is a rear elevational view thereof;
FIG. 3 is a top plan view thereof;
FIG. 4 is a bottom plan view thereof;
FIG. 5 is a right side elevational view thereof; and,
FIG. 6 is a left side elevational view thereof.

U.S. PATENT DOCUMENTS

D251,963 S * 5/1979 Breger D8/97
D299,413 S * 1/1989 DeCarolis D8/107
D306,817 S * 3/1990 McMorrough D8/107
D307,383 S * 4/1990 Huang D8/107

1 Claim, 2 Drawing Sheets



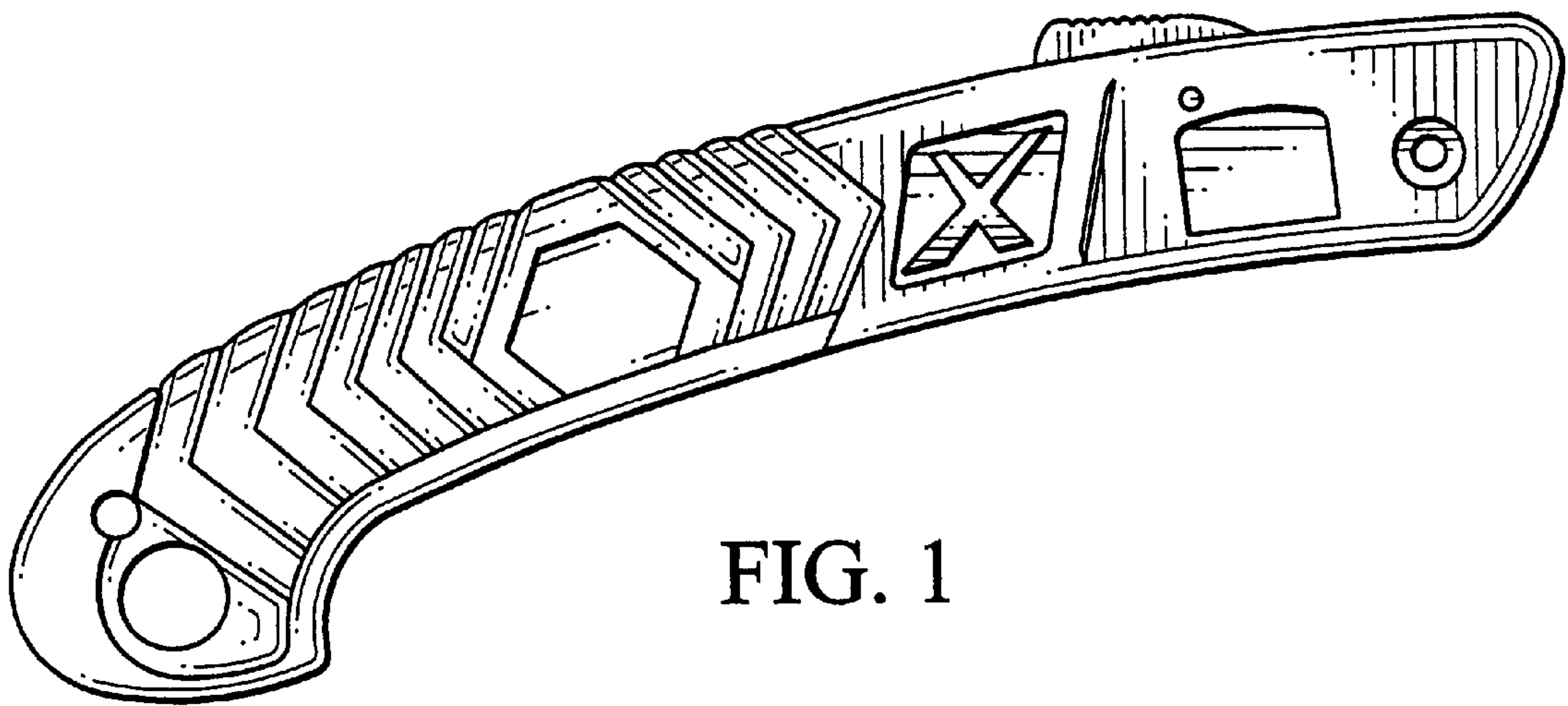


FIG. 1

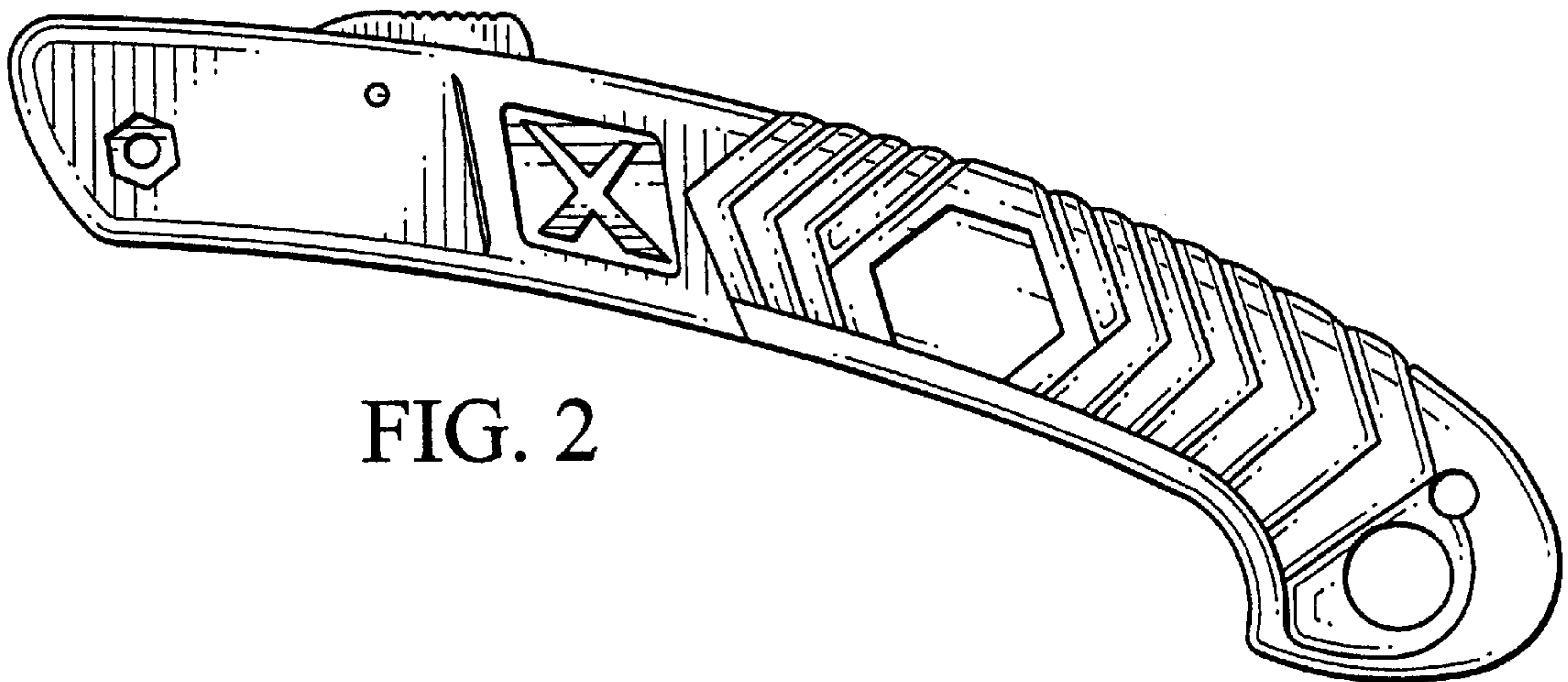


FIG. 2

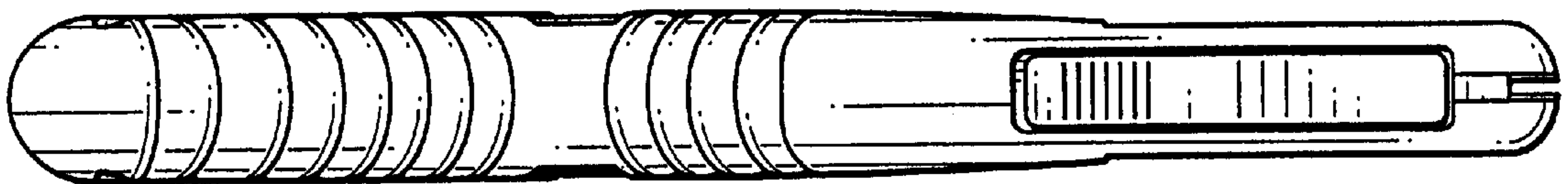


FIG. 3

FIG. 4

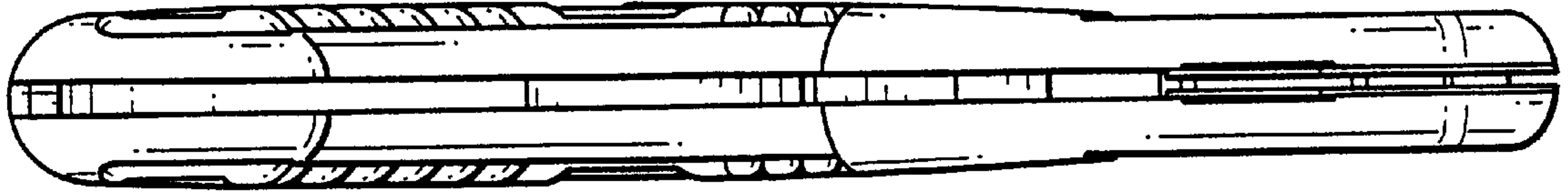


FIG. 5

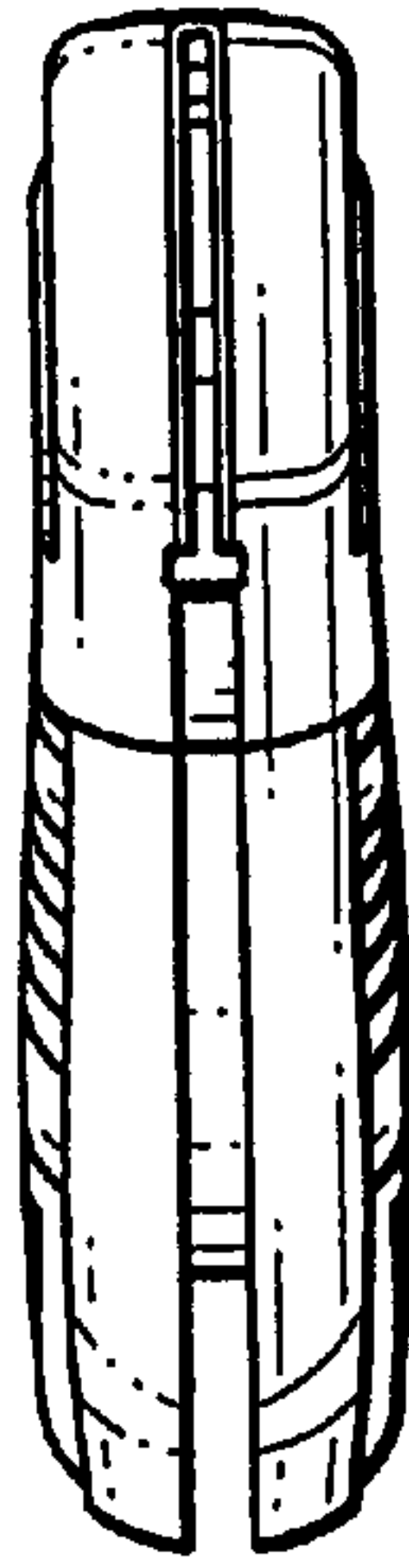


FIG. 6

