



US00D468611S

(12) **United States Design Patent**
Liou

(10) **Patent No.:** **US D468,611 S**

(45) **Date of Patent:** **** Jan. 14, 2003**

(54) **NAIL DRIVING GUN**

(75) **Inventor:** **Chii-Ming Liou, Chang-Hwa (TW)**

(73) **Assignee:** **Sheng Yang Technology Co., Ltd., Chang-Hwa (TW)**

(**) **Term:** **14 Years**

(21) **Appl. No.:** **29/155,783**

(22) **Filed:** **Feb. 14, 2002**

(51) **LOC (7) Cl.** **08-02**

(52) **U.S. Cl.** **D8/69**

(58) **Field of Search** D8/61, 62, 63,
D8/64, 65, 66, 67, 68, 69, 70; 81/57.11,
429, 464; 173/48, 109, 169, 178; 227/2,
8, 114, 120, 123, 130, 131, 136, 142; 310/50,
124, 241 R

(56) **References Cited**

U.S. PATENT DOCUMENTS

5,709,333 A * 1/1998 Wang et al. 227/130
D415,002 S * 10/1999 Rogers et al. D8/69

D417,830 S * 12/1999 Yang D8/61
D420,878 S * 2/2000 Li D8/69
6,116,488 A * 9/2000 Lee 227/8

* cited by examiner

Primary Examiner—Doris V. Coles

Assistant Examiner—T. Chase Nelson

(74) *Attorney, Agent, or Firm*—MacPherson Kwok Chen & Heid LLP

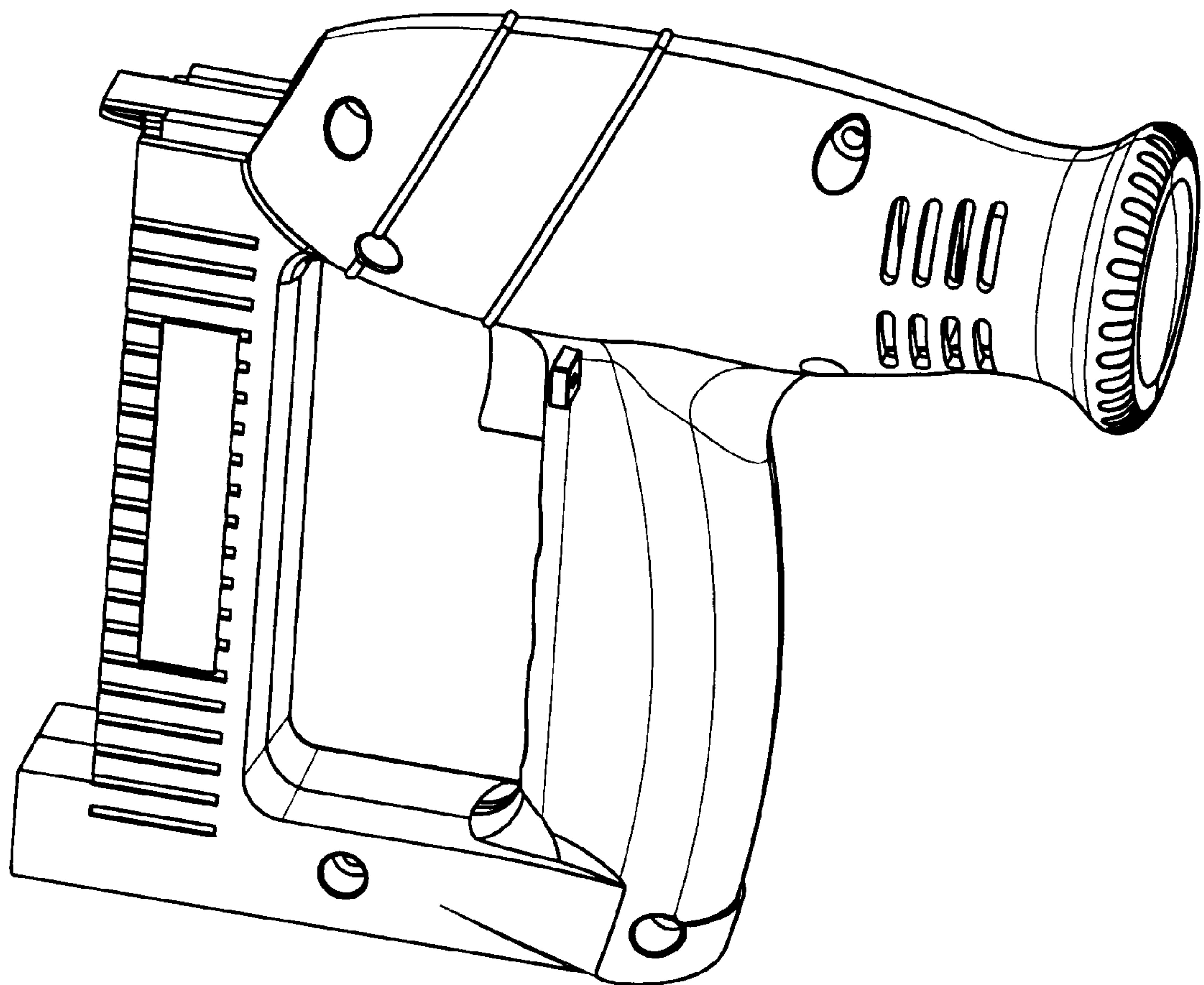
(57) **CLAIM**

The ornamental design for nail driving gun, as shown and described.

DESCRIPTION

FIG. 1 is a perspective view of nail driving gun showing my new design;
FIG. 2 is a front elevational view thereof;
FIG. 3 is a rear elevational view thereof;
FIG. 4 is a left side elevational view thereof;
FIG. 5 is a right side elevational view thereof;
FIG. 6 is a top plan view thereof; and,
FIG. 7 is a bottom plan view thereof.

1 Claim, 5 Drawing Sheets



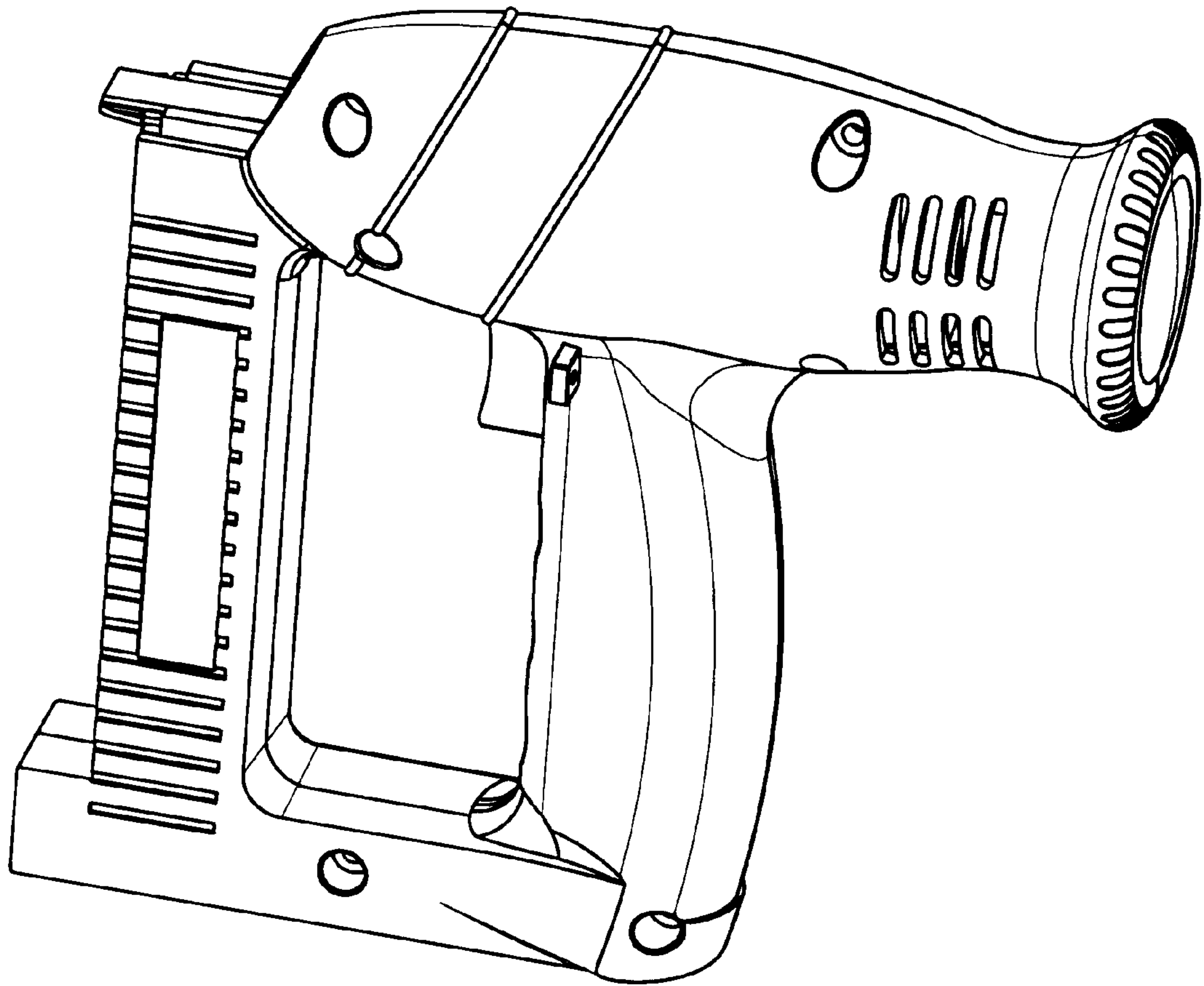


FIG. 1

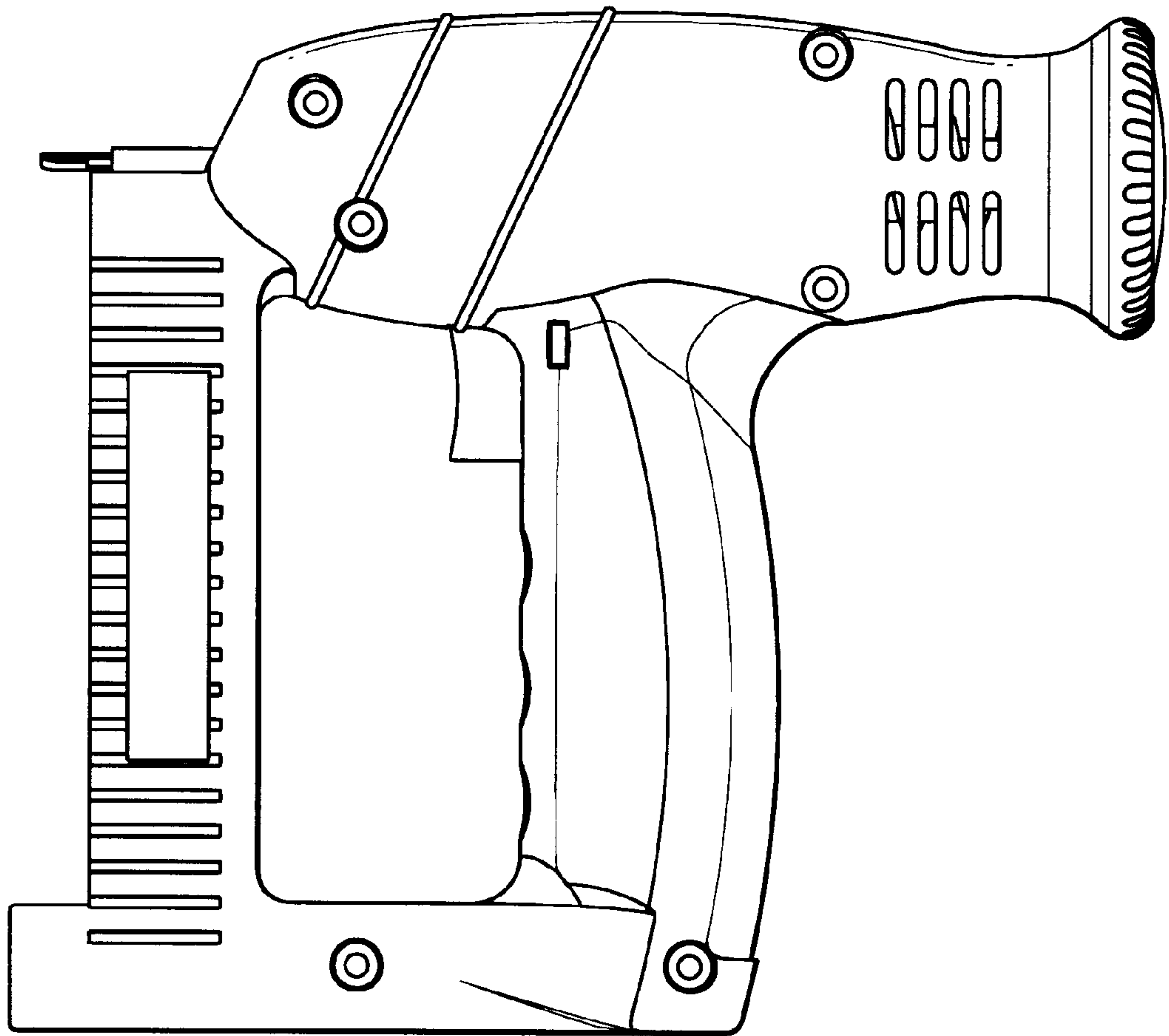


FIG. 2

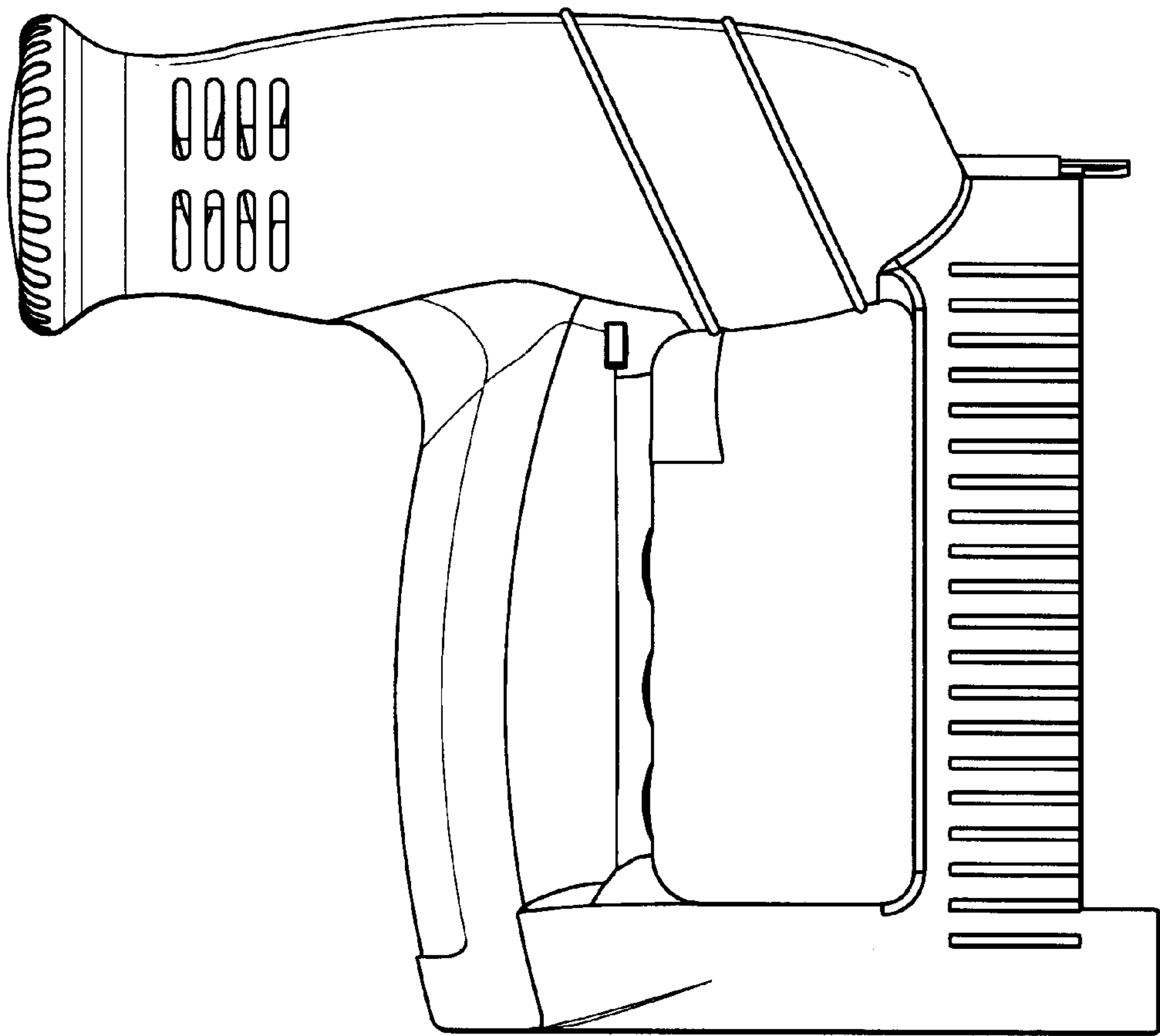


FIG. 3

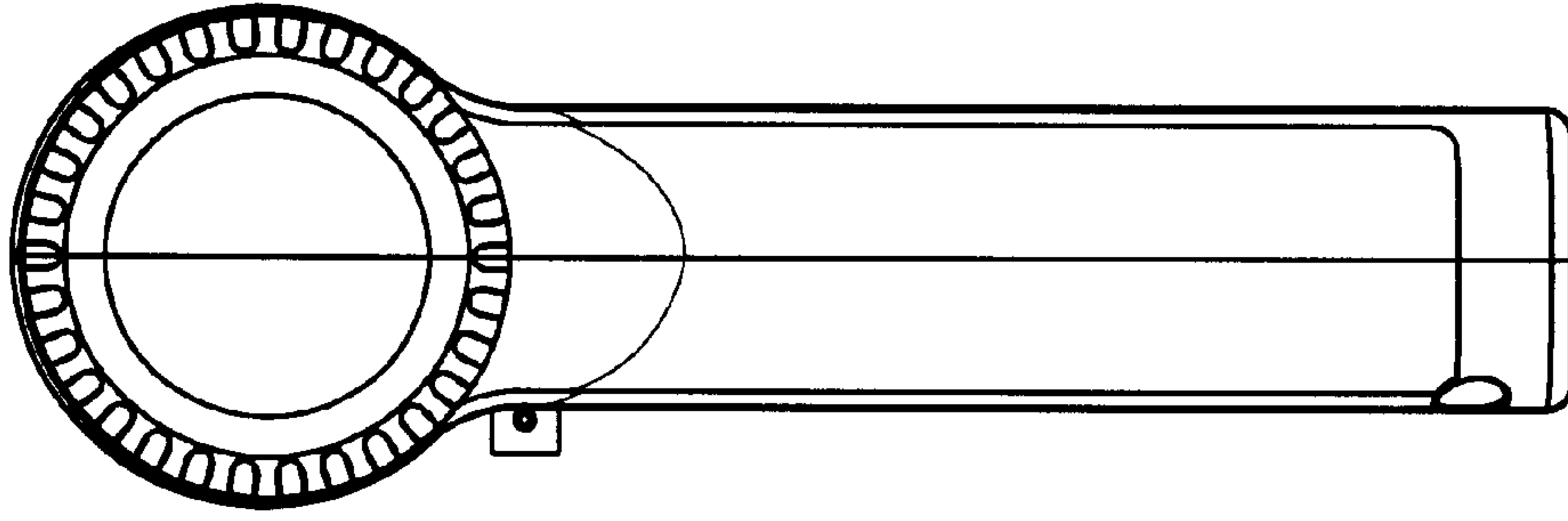


FIG. 5

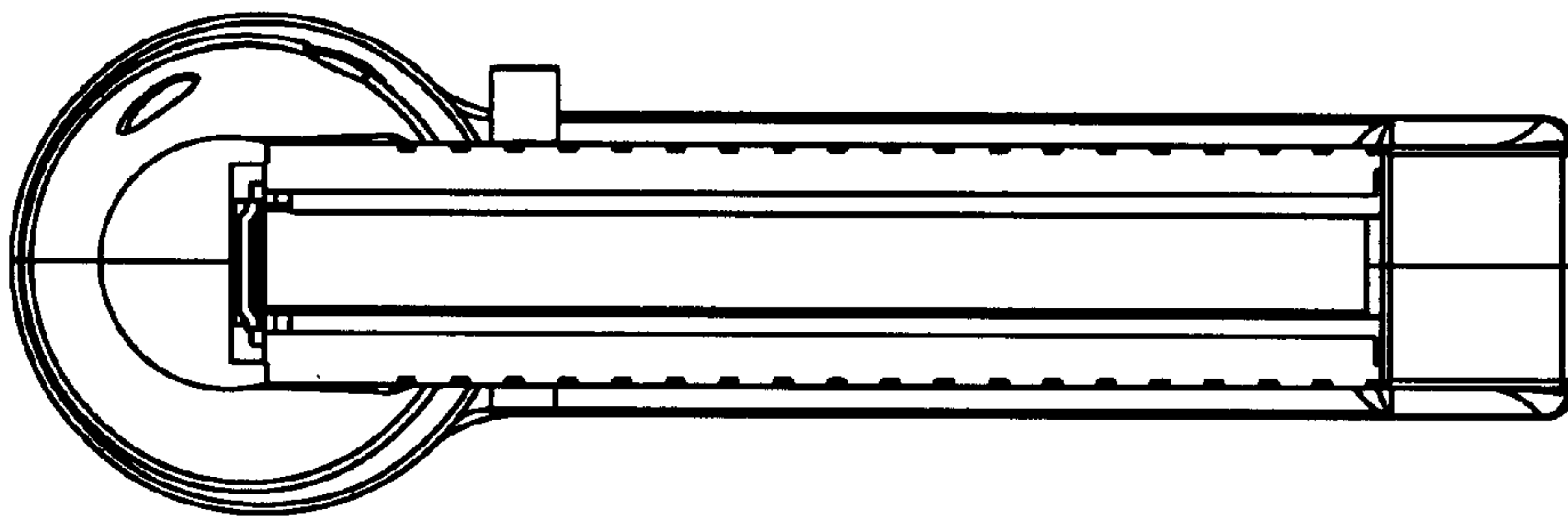


FIG. 4

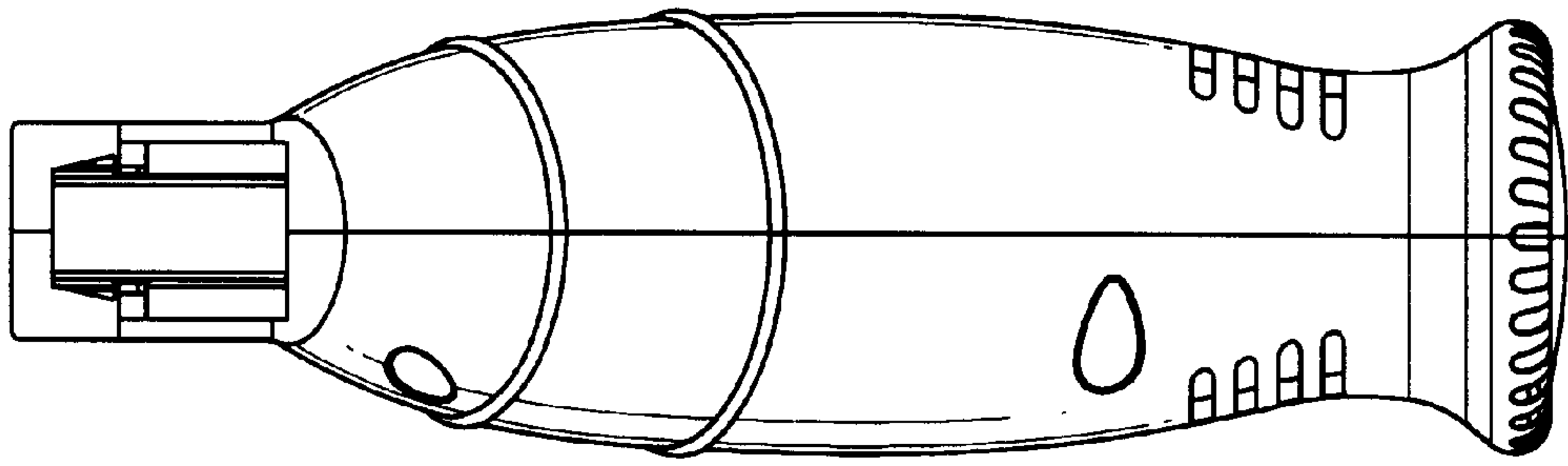


FIG. 6

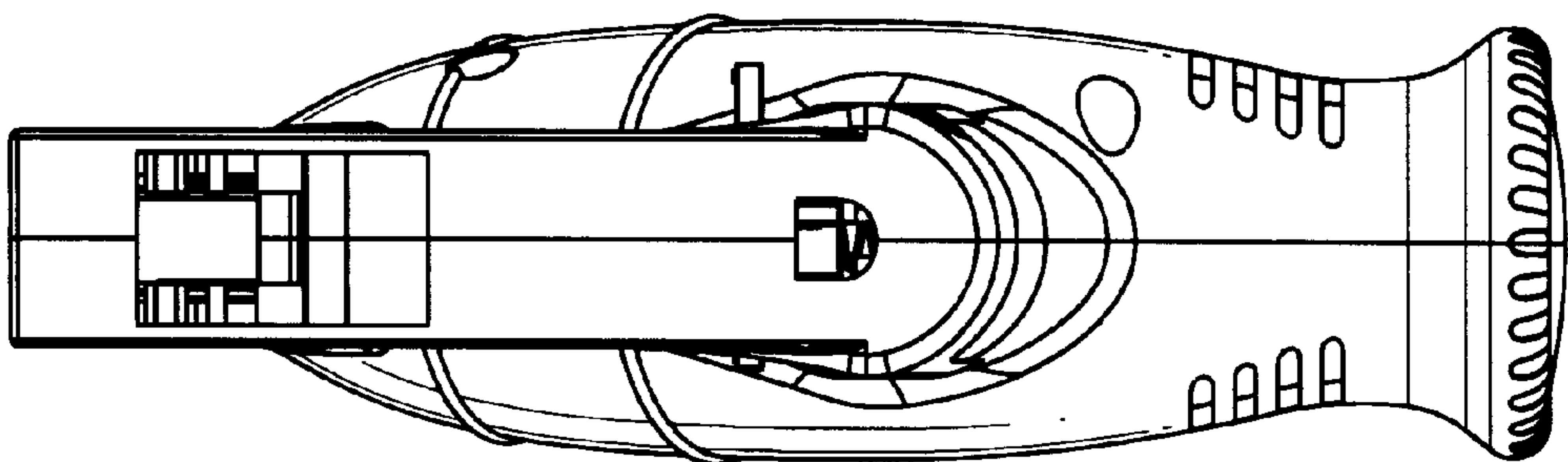


FIG. 7