



US00D468609S

(12) **United States Design Patent**
Goto

(10) **Patent No.:** **US D468,609 S**

(45) **Date of Patent:** **** Jan. 14, 2003**

(54) **PORTABLE ELECTRIC GRINDER**

D392,529 S * 3/1998 Goto D8/62
D396,175 S * 7/1998 Chung D8/62

(76) Inventor: **Tadao Goto**, 5340, Oaza-Inabe, Ina-Shi,
Nagano-ken (JP)

* cited by examiner

(**) Term: **14 Years**

Primary Examiner—Stacia Cadmus
Assistant Examiner—Elizabeth A. Albert
(74) *Attorney, Agent, or Firm*—Israel Gopstein

(21) Appl. No.: **29/149,883**

(22) Filed: **Oct. 22, 2001**

(57) **CLAIM**

(30) **Foreign Application Priority Data**

The ornamental design for a portable electric grinder, as shown and described.

May 28, 2001 (JP) 2001-015265

DESCRIPTION

(51) **LOC (7) Cl.** **08-01**

FIG. 1 is a perspective view of a portable electric grinder in accordance with the inventive design;
FIG. 2 is a front view thereof;
FIG. 3 is a rear view thereof;
FIG. 4 is a side view thereof;
FIG. 5 is another side view thereof;
FIG. 6 is top view thereof; and,
FIG. 7 is a bottom view thereof.

(52) **U.S. Cl.** **D8/62**

(58) **Field of Search** D8/61, 62, 67;
173/170; 310/50; 451/344, 353, 356, 357,
358, 359, 451, 456, 490, 355, 259; 15/23

(56) **References Cited**

U.S. PATENT DOCUMENTS

D339,275 S * 9/1993 Fukuda et al. D8/62
D385,764 S * 11/1997 Goto D8/62

1 Claim, 4 Drawing Sheets

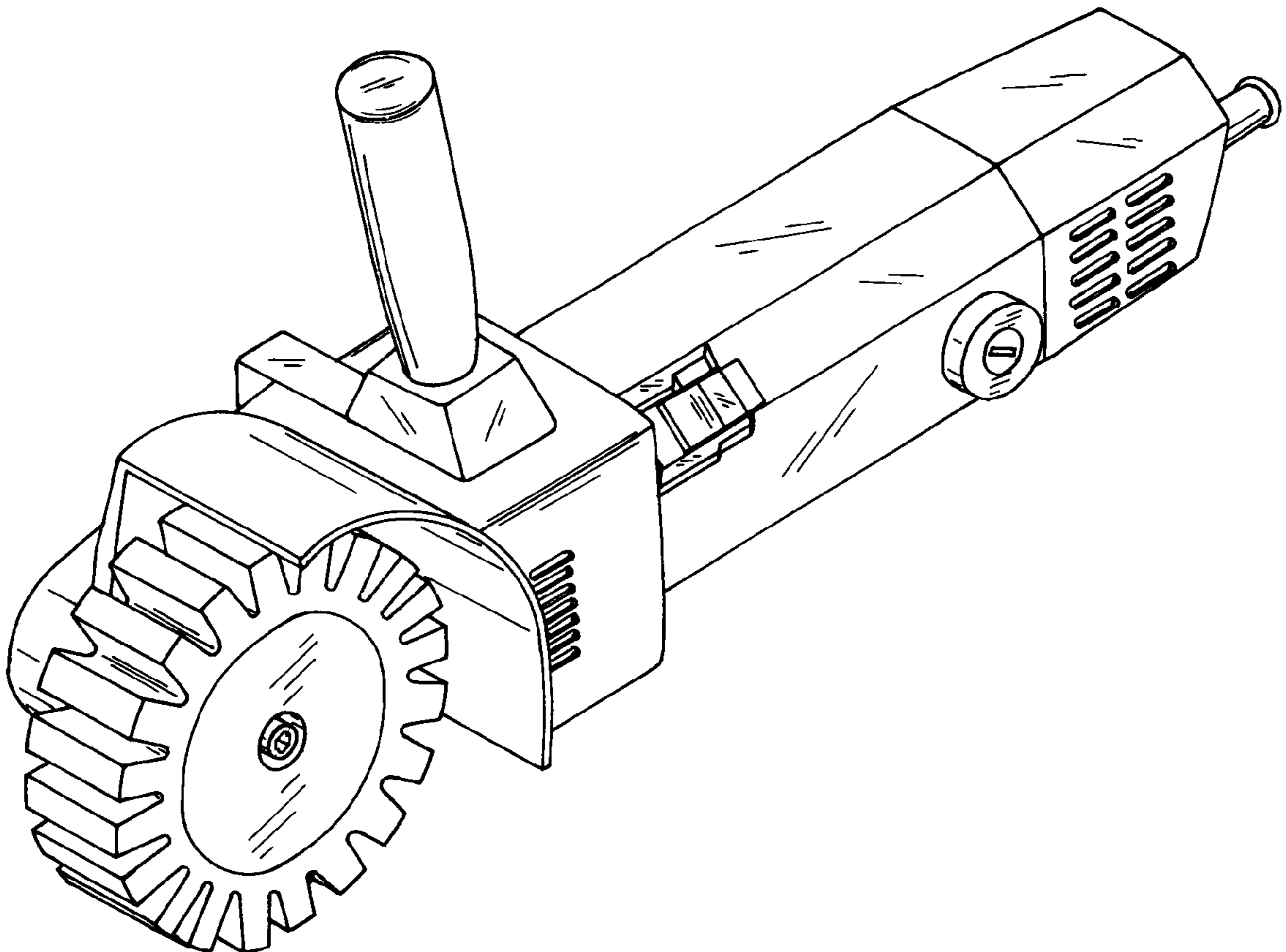


Fig. 1

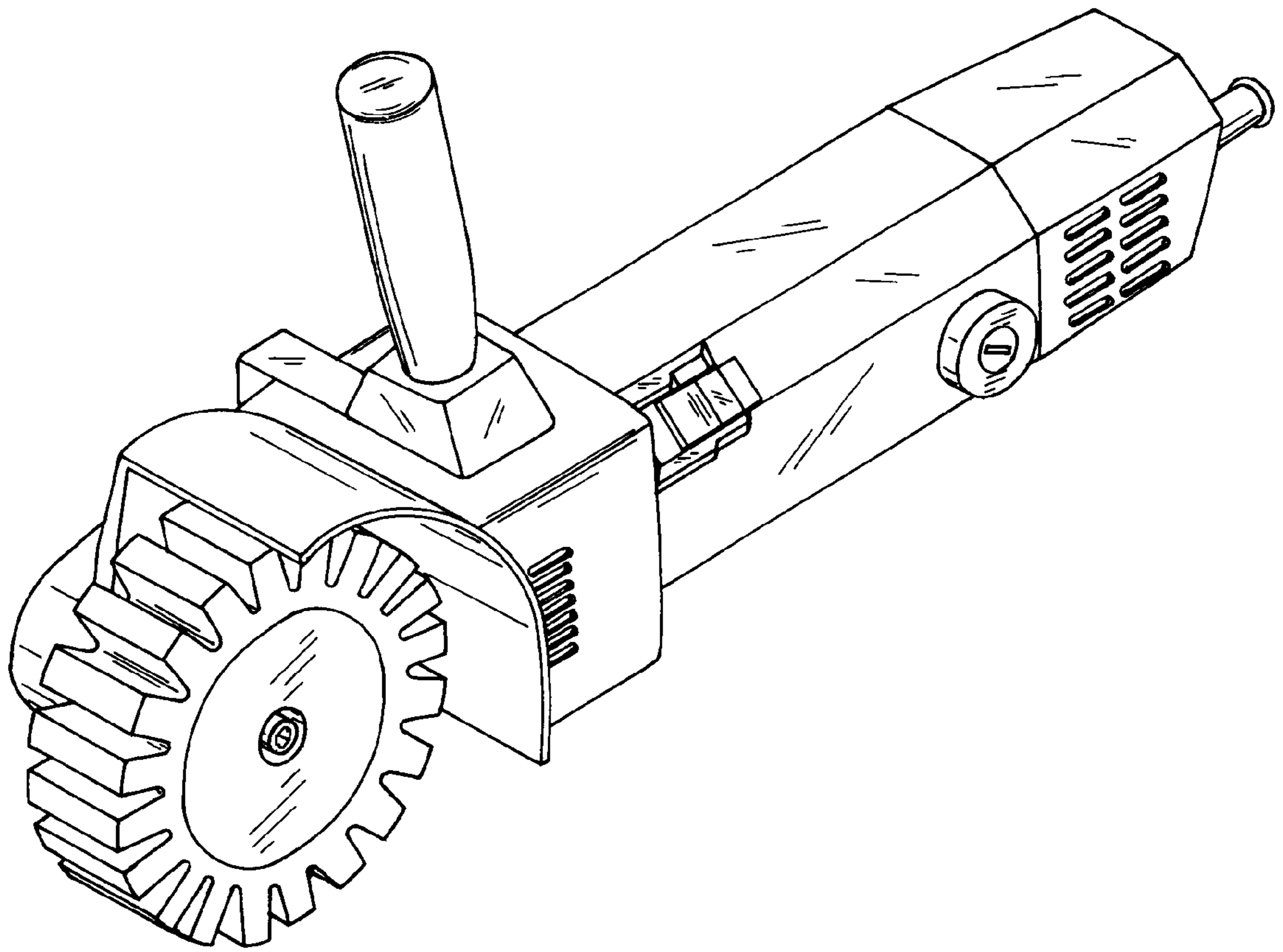


Fig. 2

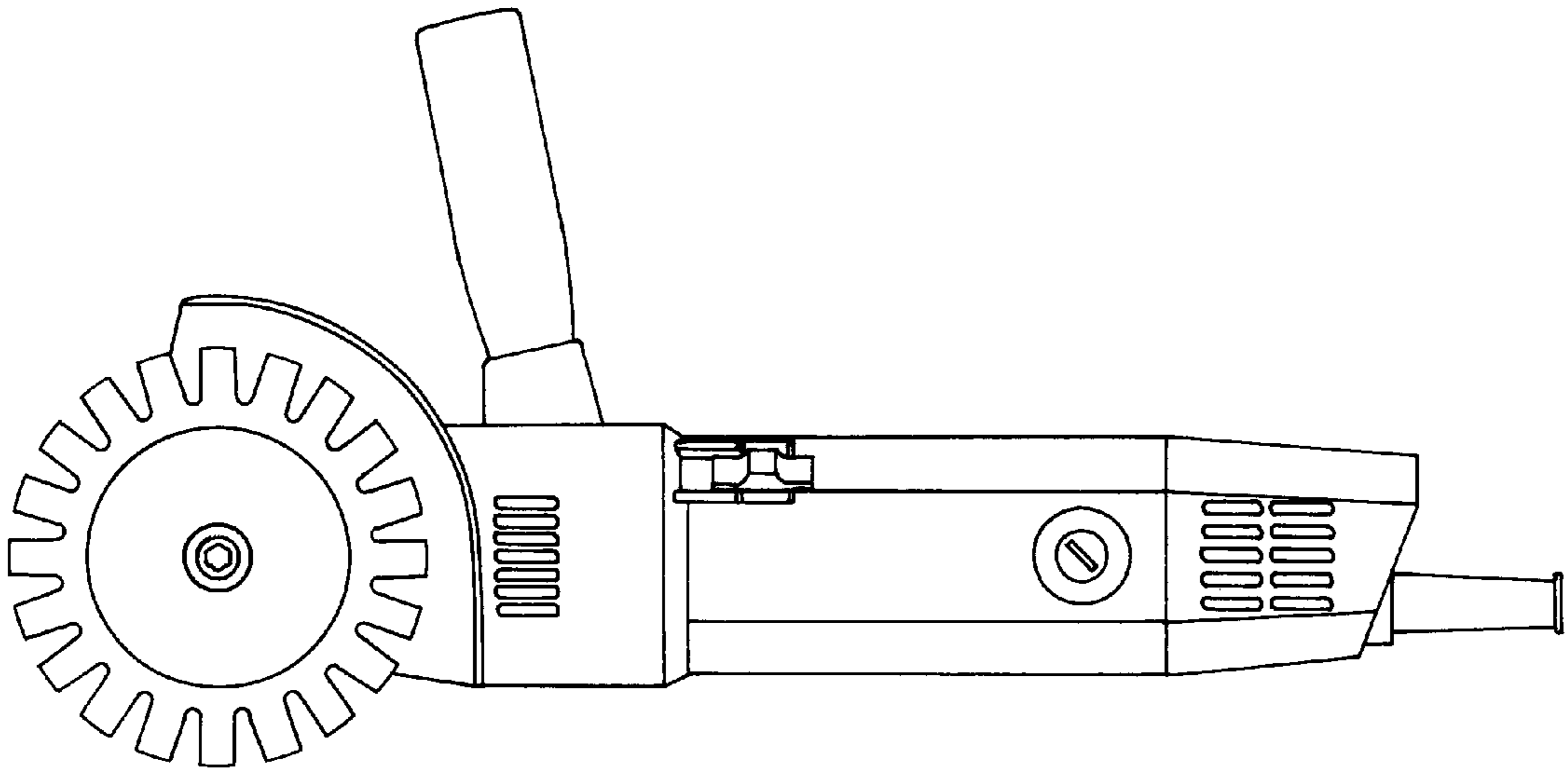


Fig. 3

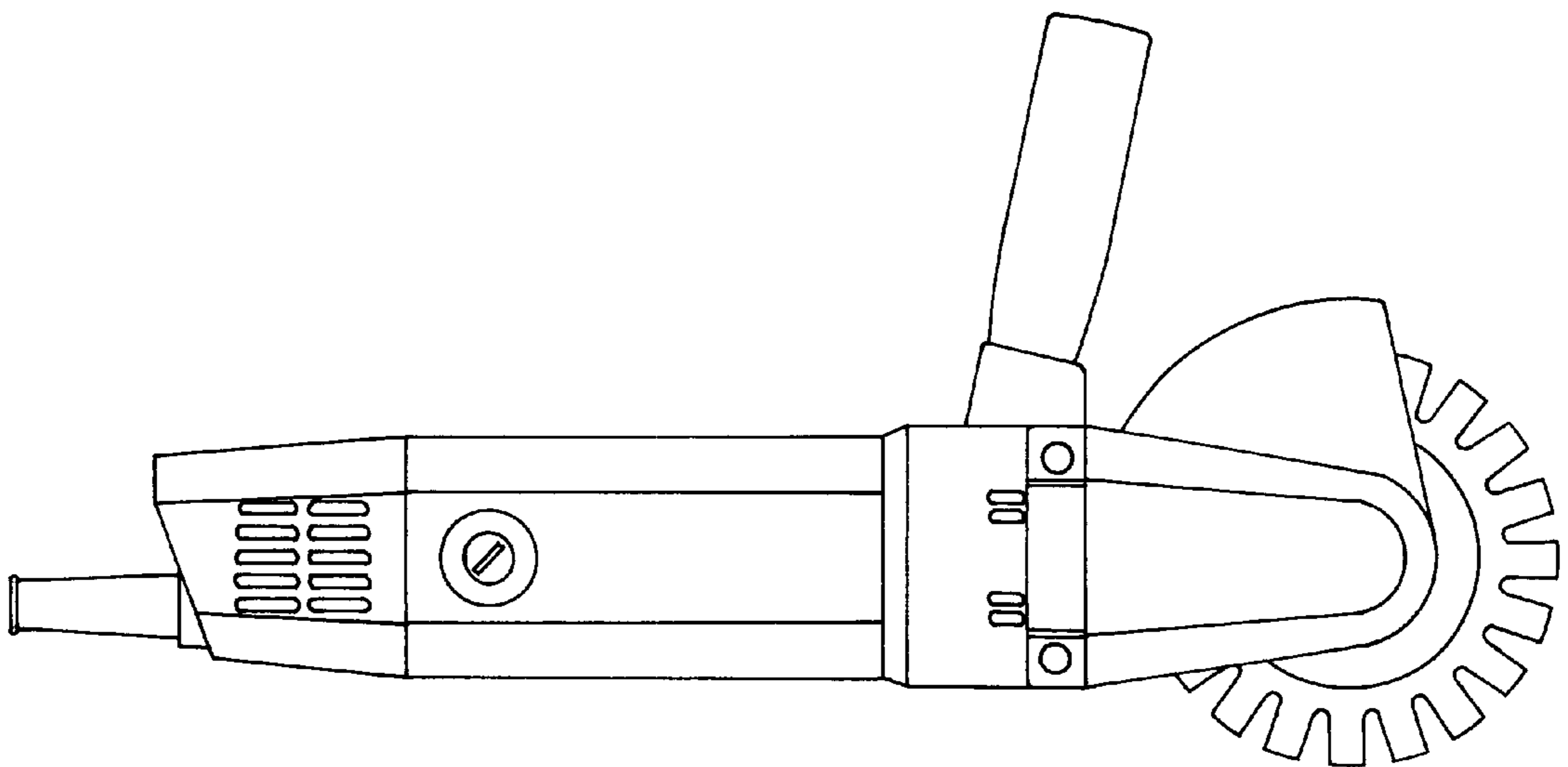


Fig. 4

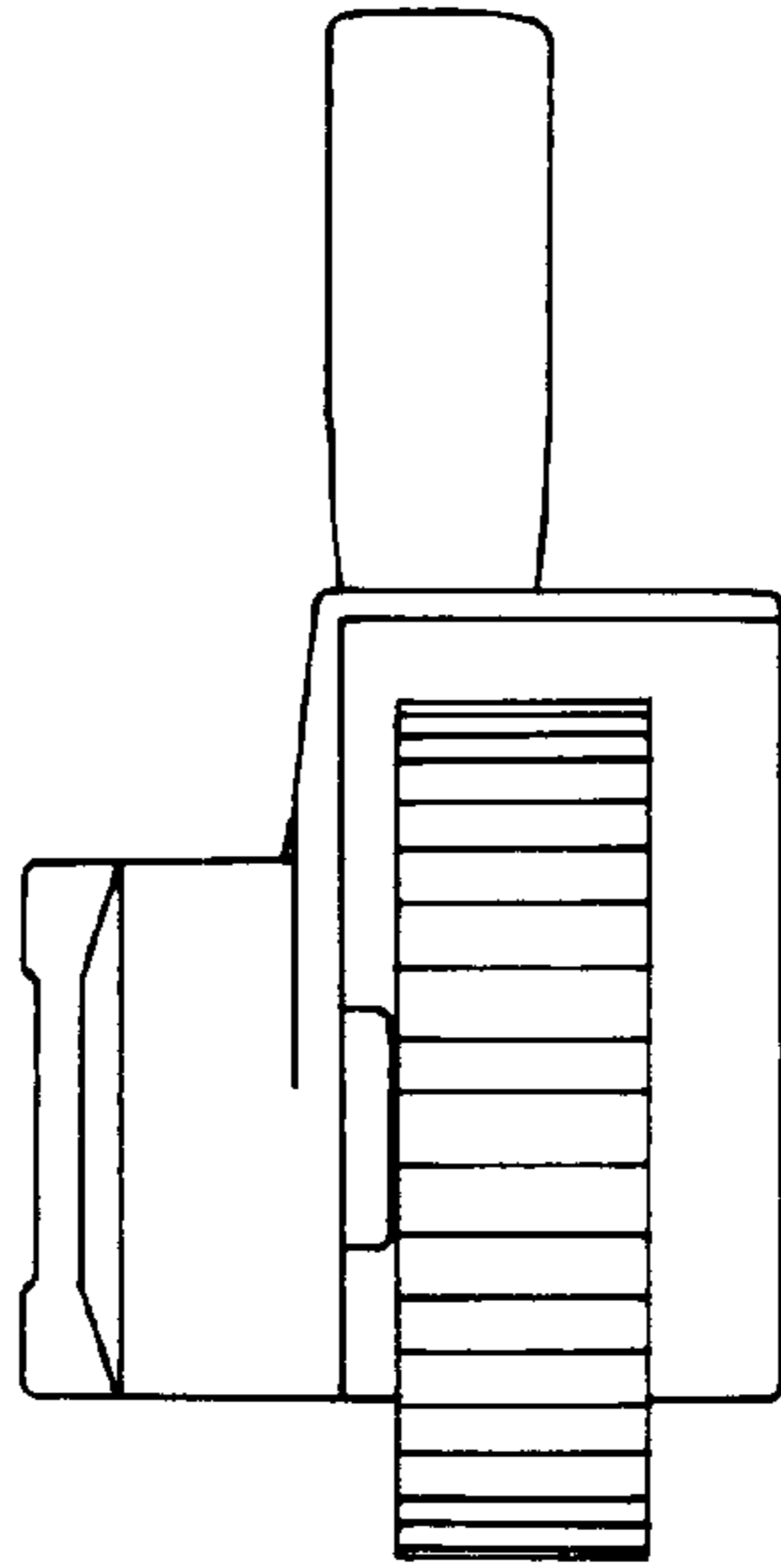


Fig. 5

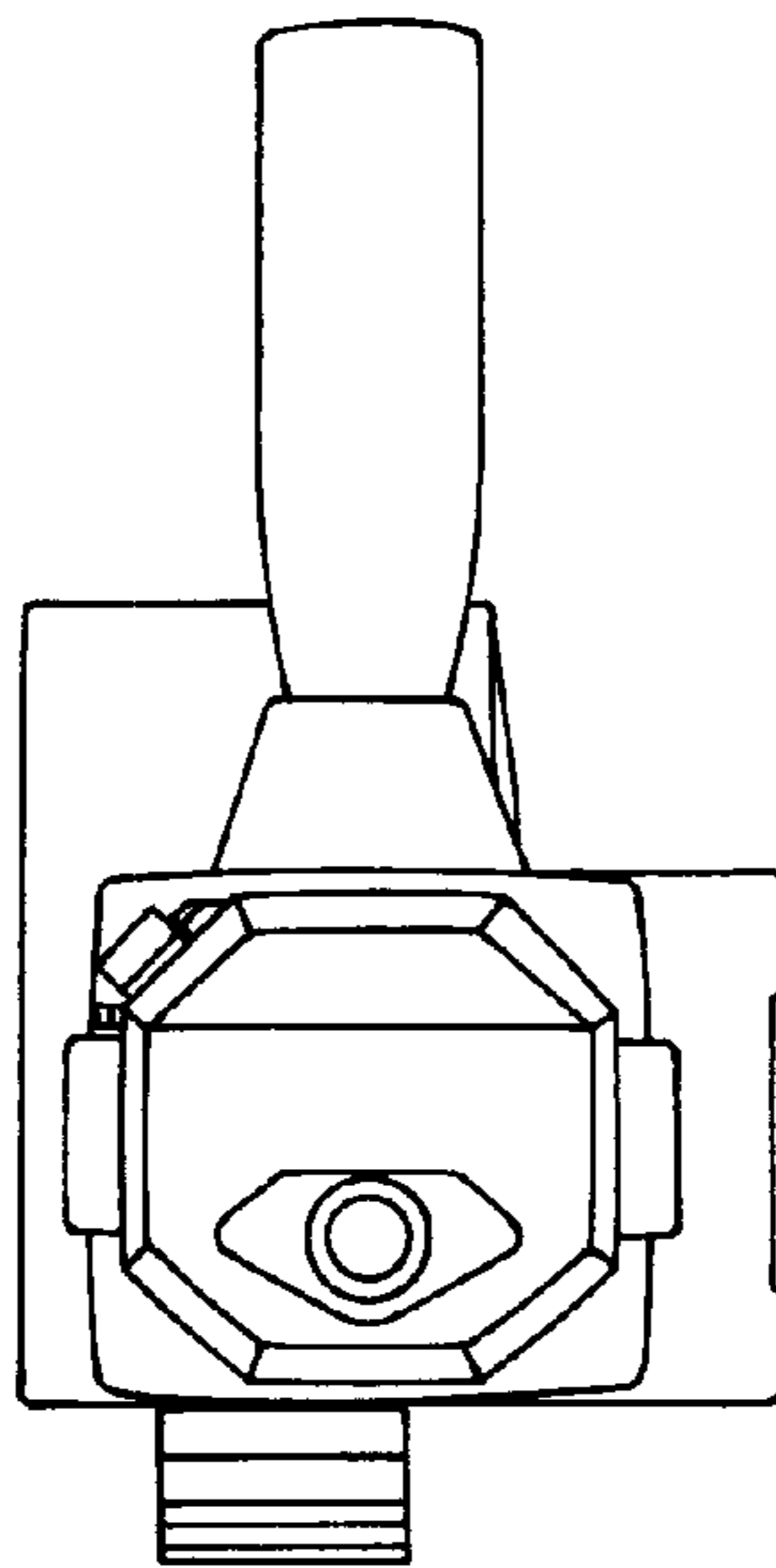


Fig. 6

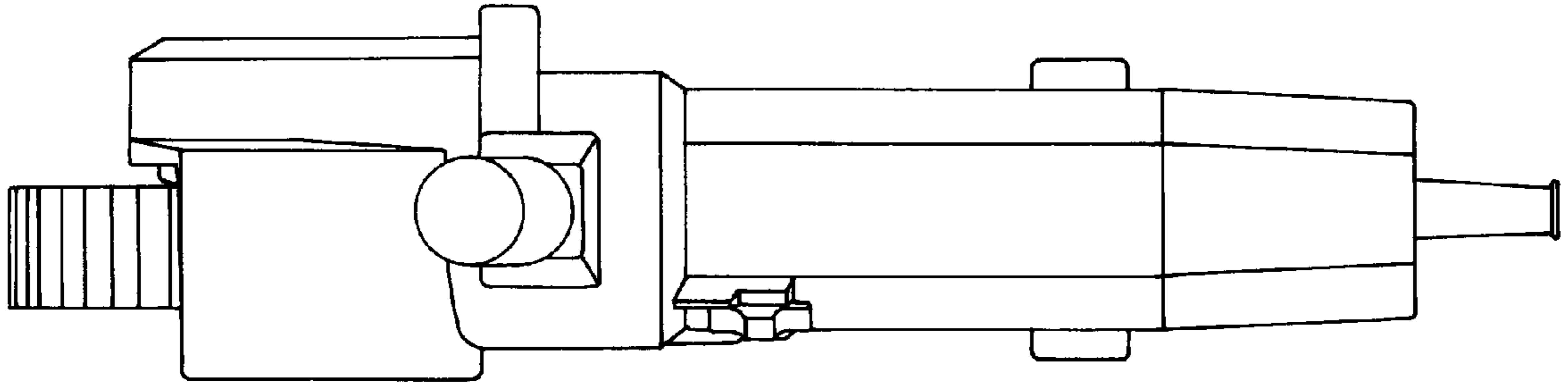


Fig. 7

