



US00D468608S

(12) **United States Design Patent**
Wacker et al.

(10) **Patent No.:** **US D468,608 S**
(45) **Date of Patent:** **** Jan. 14, 2003**

(54) **RANDOM ORBIT SANDER**
(75) Inventors: **Charles M. Wacker**, Chandler, AZ (US); **David Eric Dutterer**, Williamston, SC (US); **Kenneth M. Brazell**, Piedmont, SC (US); **Charles Keith Long**, Seneca, SC (US)

5,580,302 A 12/1996 Howard, Jr. et al.
D386,376 S 11/1997 Kaneko et al.
D392,861 S * 3/1998 Gildersleeve et al. D8/62
5,813,903 A 9/1998 Amano et al.
D408,245 S * 4/1999 Evans et al. D8/62
5,934,985 A * 8/1999 Clowers et al. 451/357

* cited by examiner

(73) Assignee: **One World Technologies, Inc.**, Anderson, SC (US)

Primary Examiner—Stacia Cadmus
Assistant Examiner—Elizabeth Albert
(74) *Attorney, Agent, or Firm*—Brooks & Kushman P.C.

(**) Term: **14 Years**

(57) **CLAIM**

(21) Appl. No.: **29/148,671**
(22) Filed: **Sep. 24, 2001**

The ornamental design for a random orbit sander, as shown and described.

(51) **LOC (7) Cl.** **08-01**
(52) **U.S. Cl.** **D8/62**
(58) **Field of Search** D8/61, 62; 173/170; 310/50; 451/344, 353, 356, 357, 358, 359, 451, 456, 490, 355

DESCRIPTION

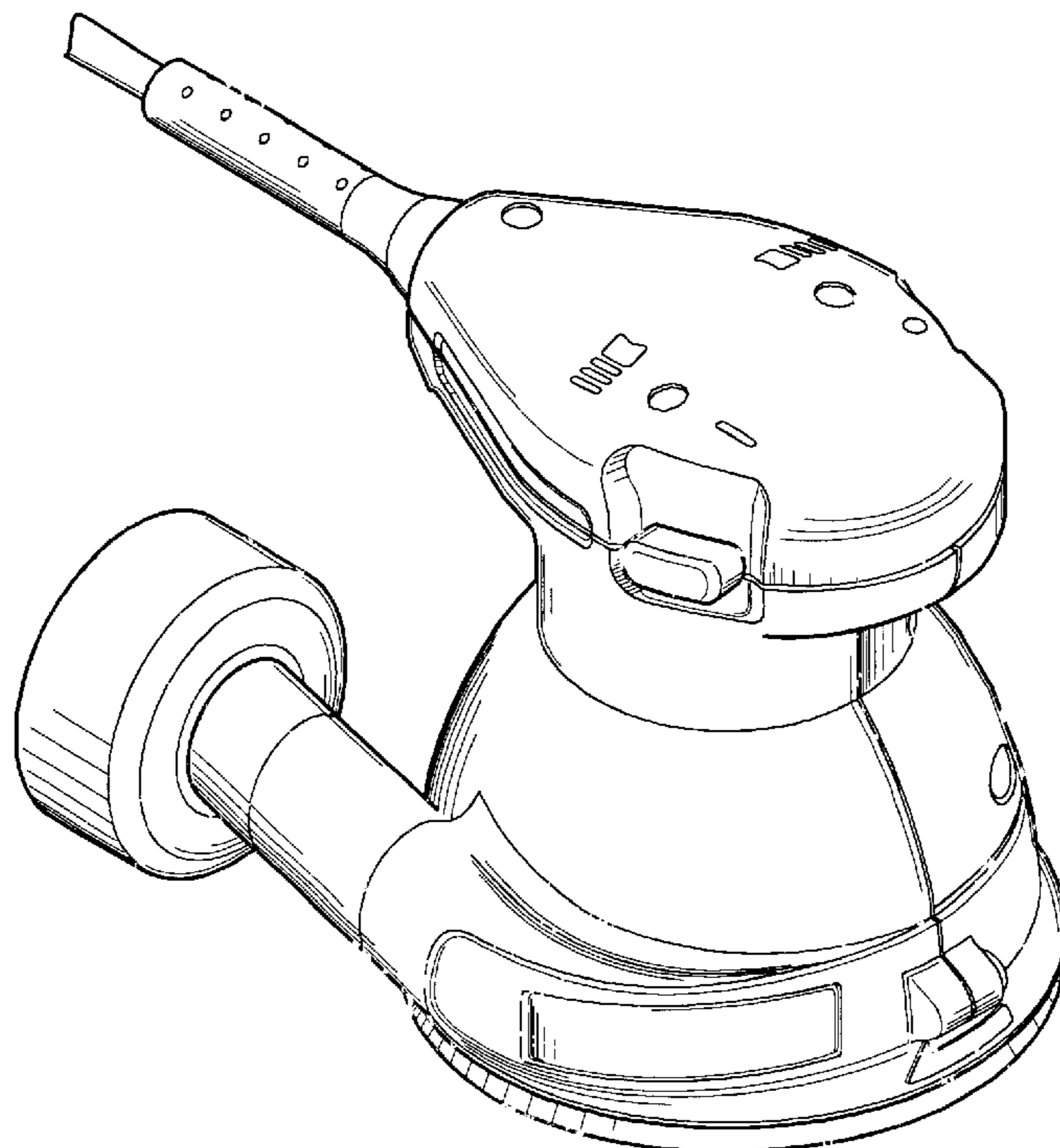
FIG. 1 is a perspective view of the random orbit sander; FIG. 2 is a left side elevational view thereof; FIG. 3 is a right side elevational view thereof; FIG. 4 is a front side elevational view thereof; FIG. 5 is a back side elevational view thereof; FIG. 6 is a top plan view thereof on a smaller scale; FIG. 7 is a bottom plan view thereof, on a smaller scale; FIG. 8 is a left side elevational view of an alternative embodiment of the random orbit sander on a smaller scale; FIG. 9 is a top plan view of the alternative embodiment shown in FIG. 8; and, FIG. 10 is a back side elevational view of the alternative end of FIG. 8, the other omitted views corresponding to FIGS. 3, 4, and 7 of the primary embodiment.

(56) **References Cited**

U.S. PATENT DOCUMENTS

D310,007 S 8/1990 Saito et al.
5,018,314 A 5/1991 Fushiya et al.
D317,244 S 6/1991 Bunyea
D326,398 S 5/1992 Fushiya et al.
D329,362 S 9/1992 Saito et al.
5,206,967 A 5/1993 Fushiya et al.
D345,089 S 3/1994 Kikuchi et al.
D347,778 S 6/1994 Clowers et al.
5,419,737 A 5/1995 Brazell et al.
D376,304 S * 12/1996 Clowers et al. D8/62

1 Claim, 4 Drawing Sheets



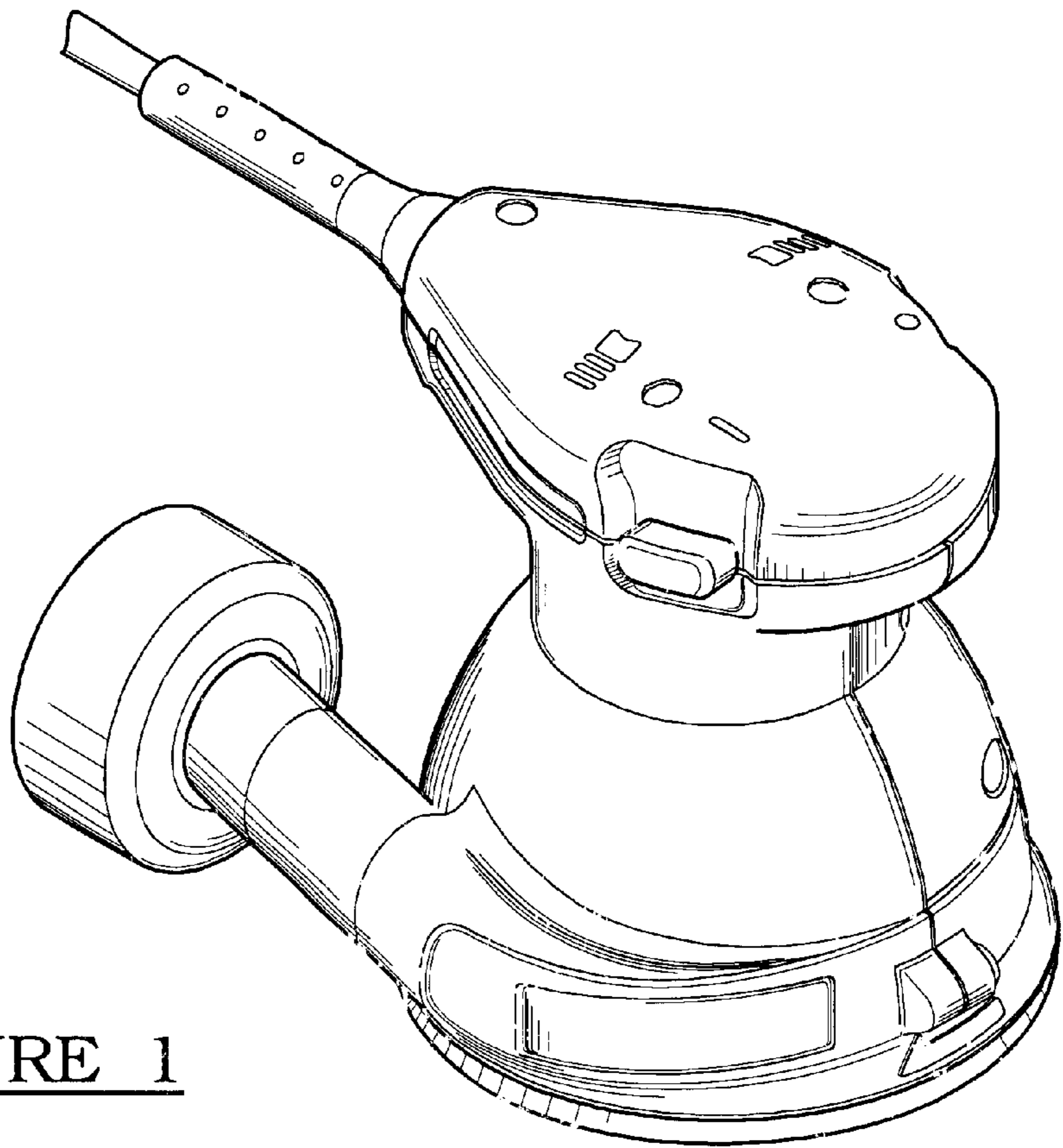


FIGURE 1

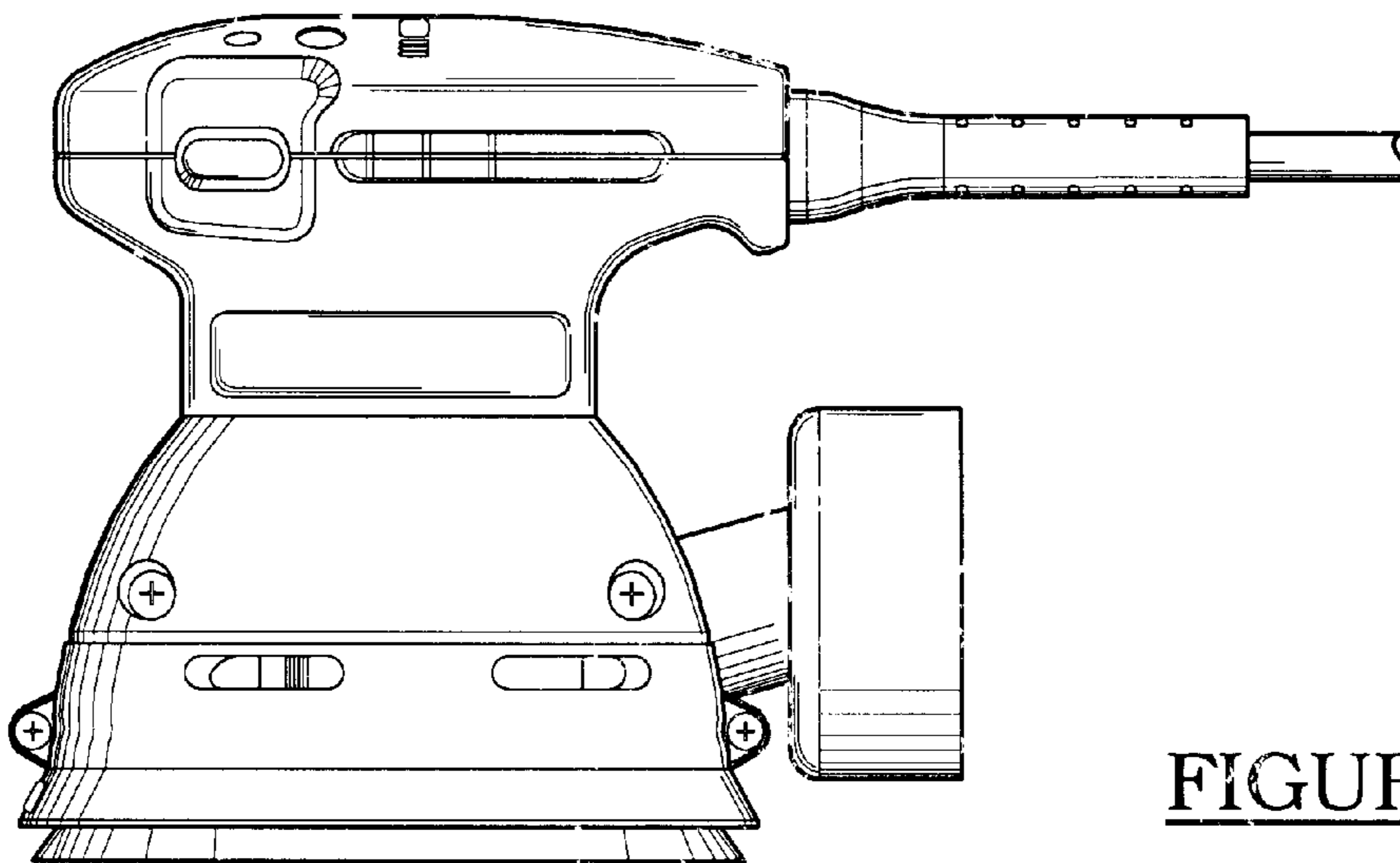


FIGURE 2

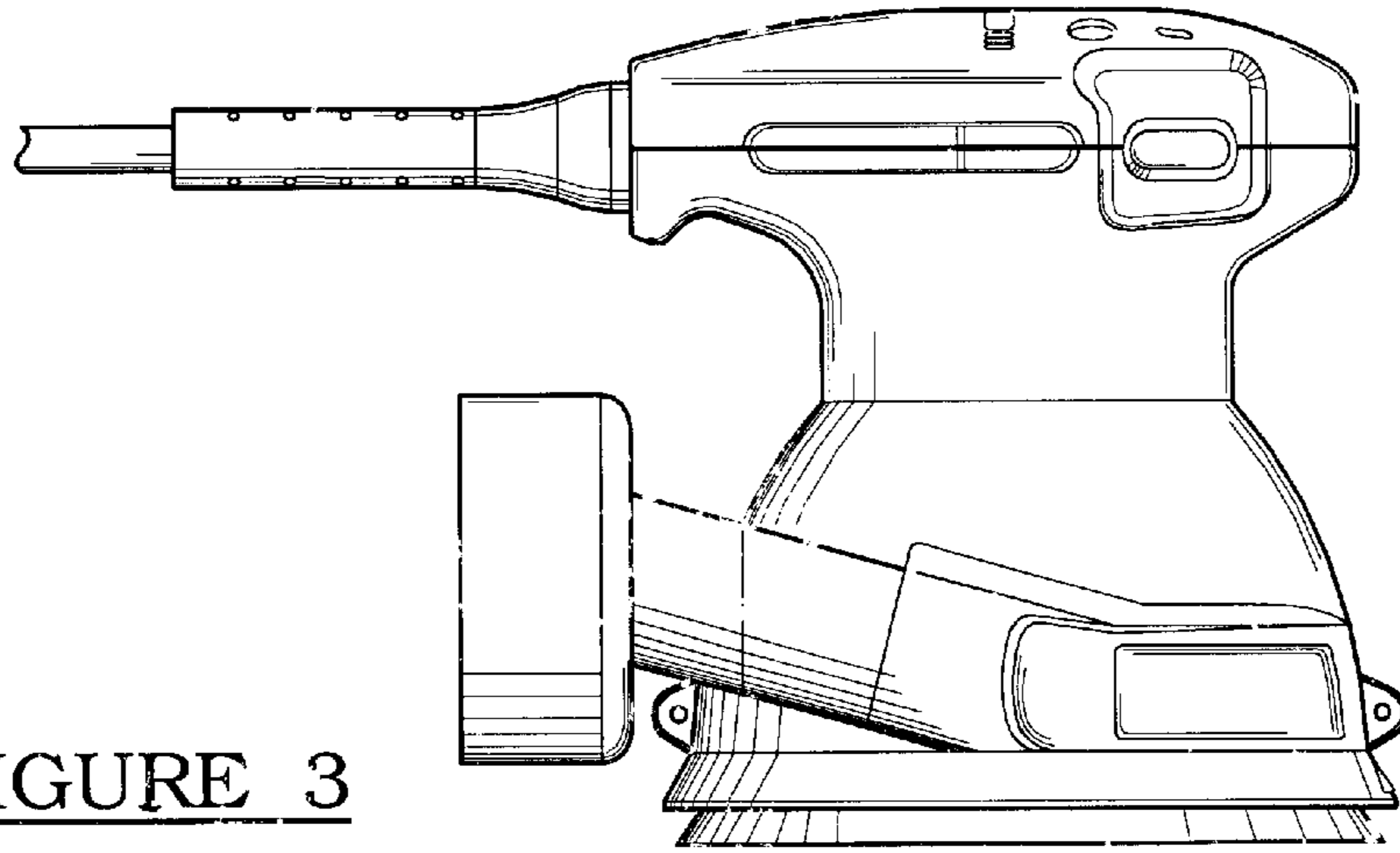


FIGURE 3

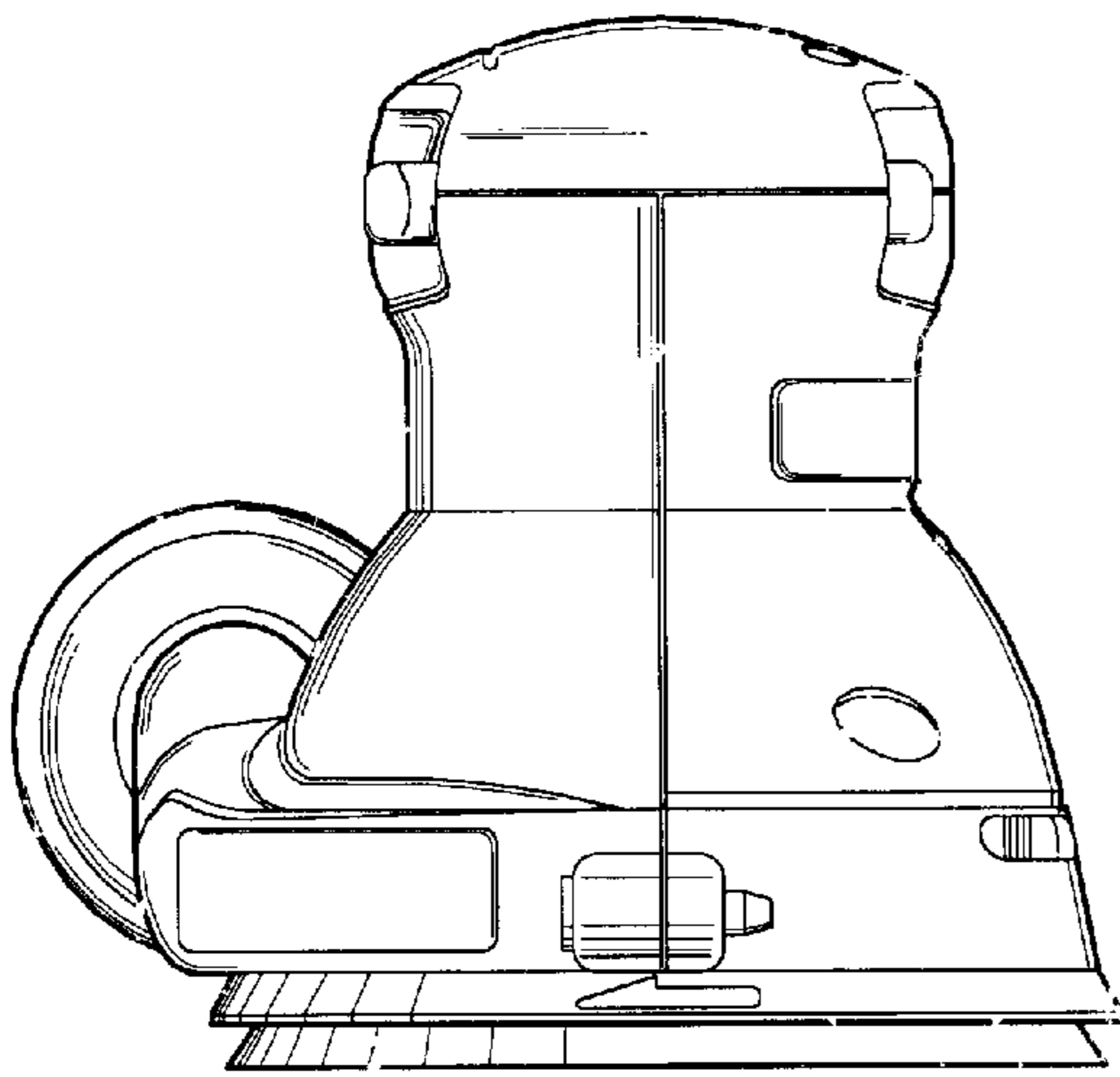


FIGURE 4

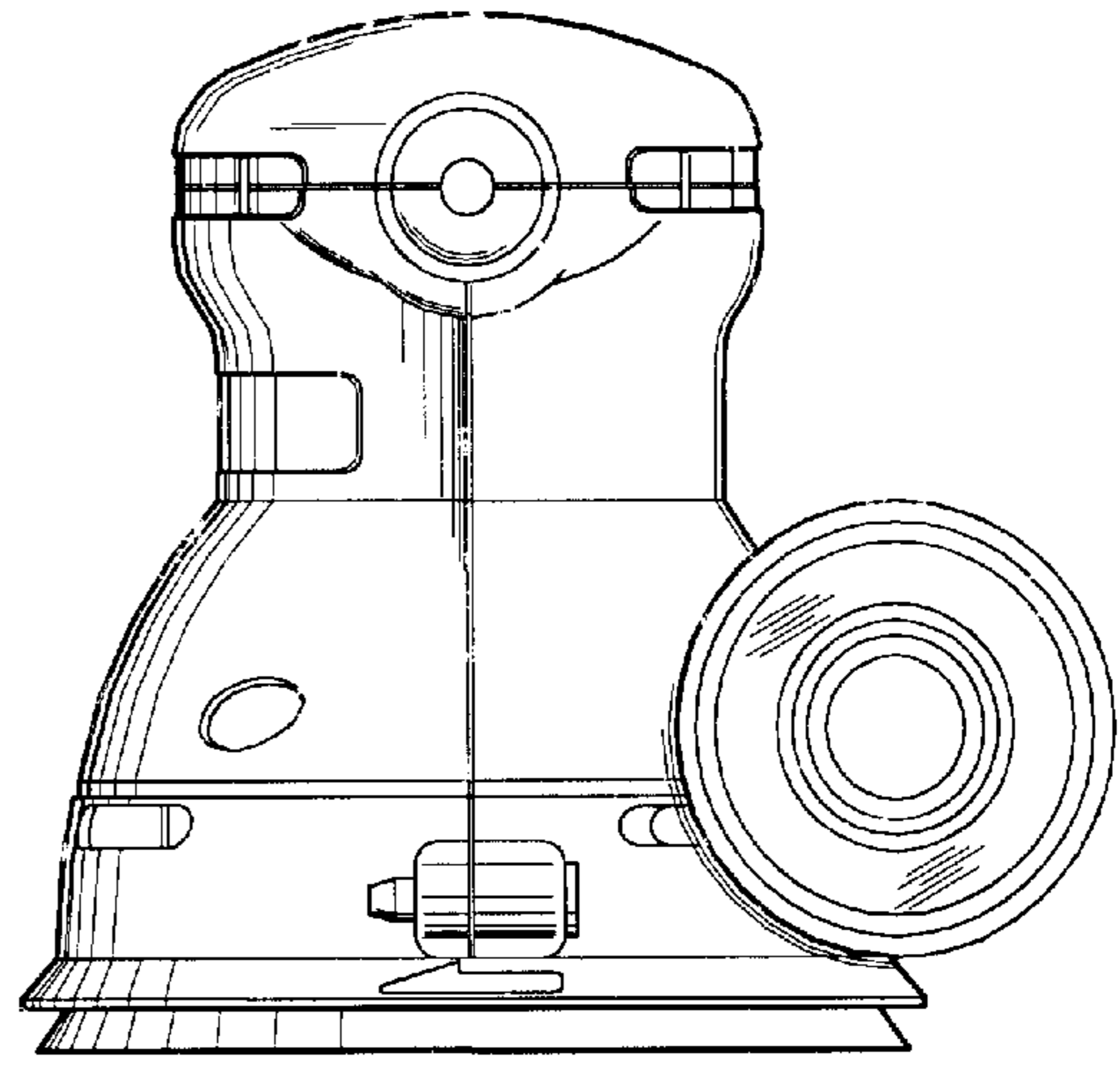


FIGURE 5

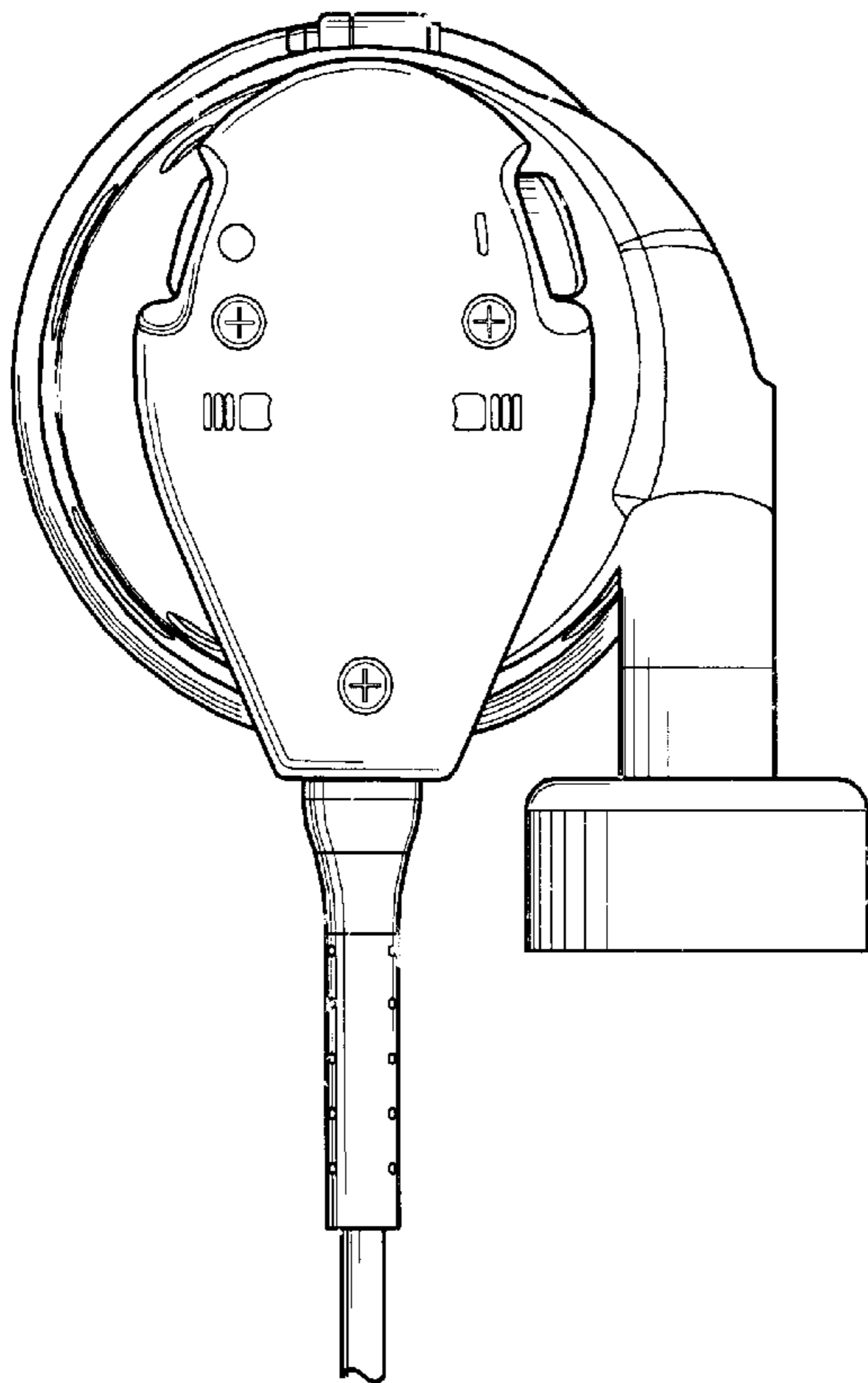


FIGURE 6

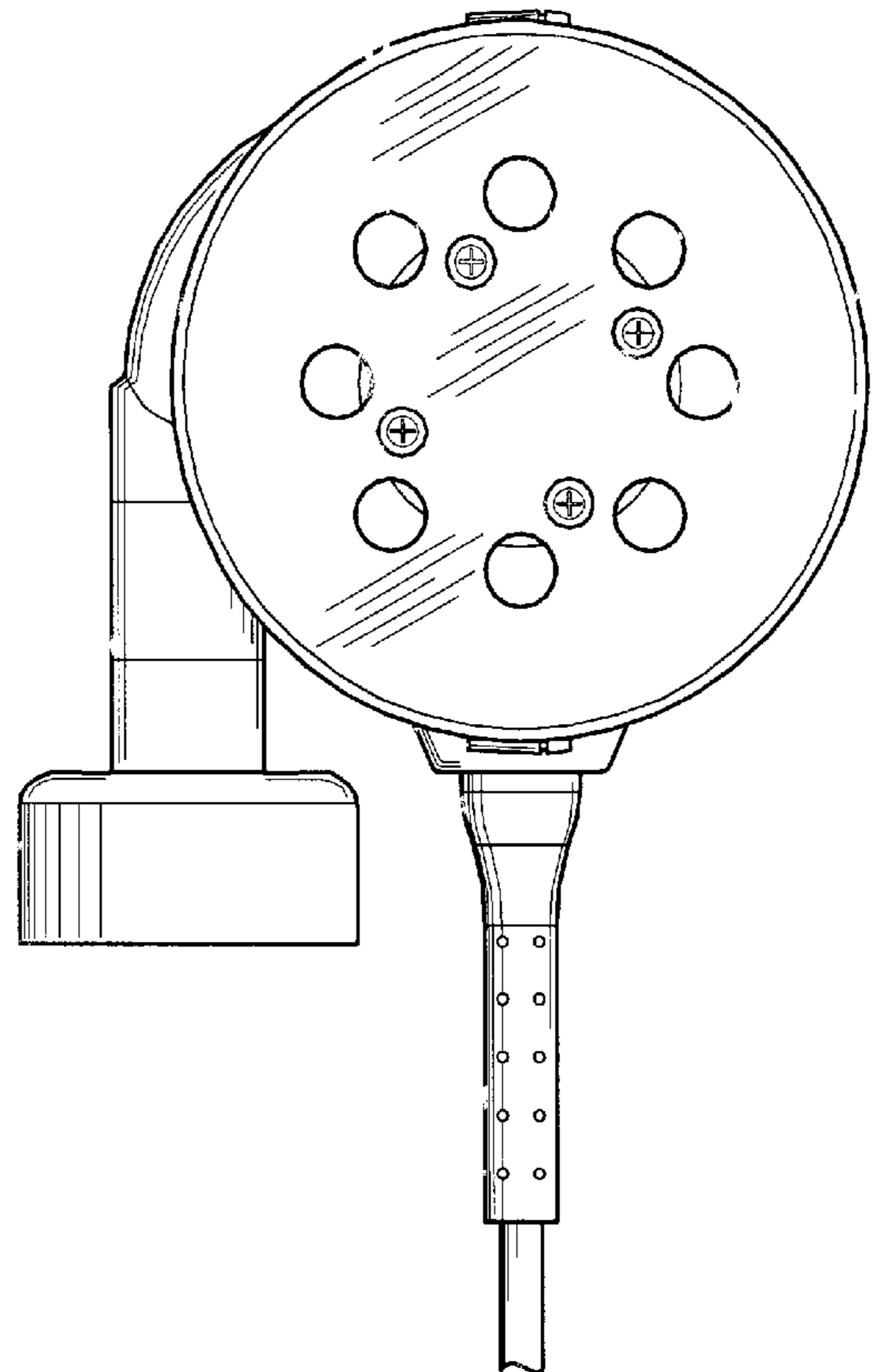


FIGURE 7

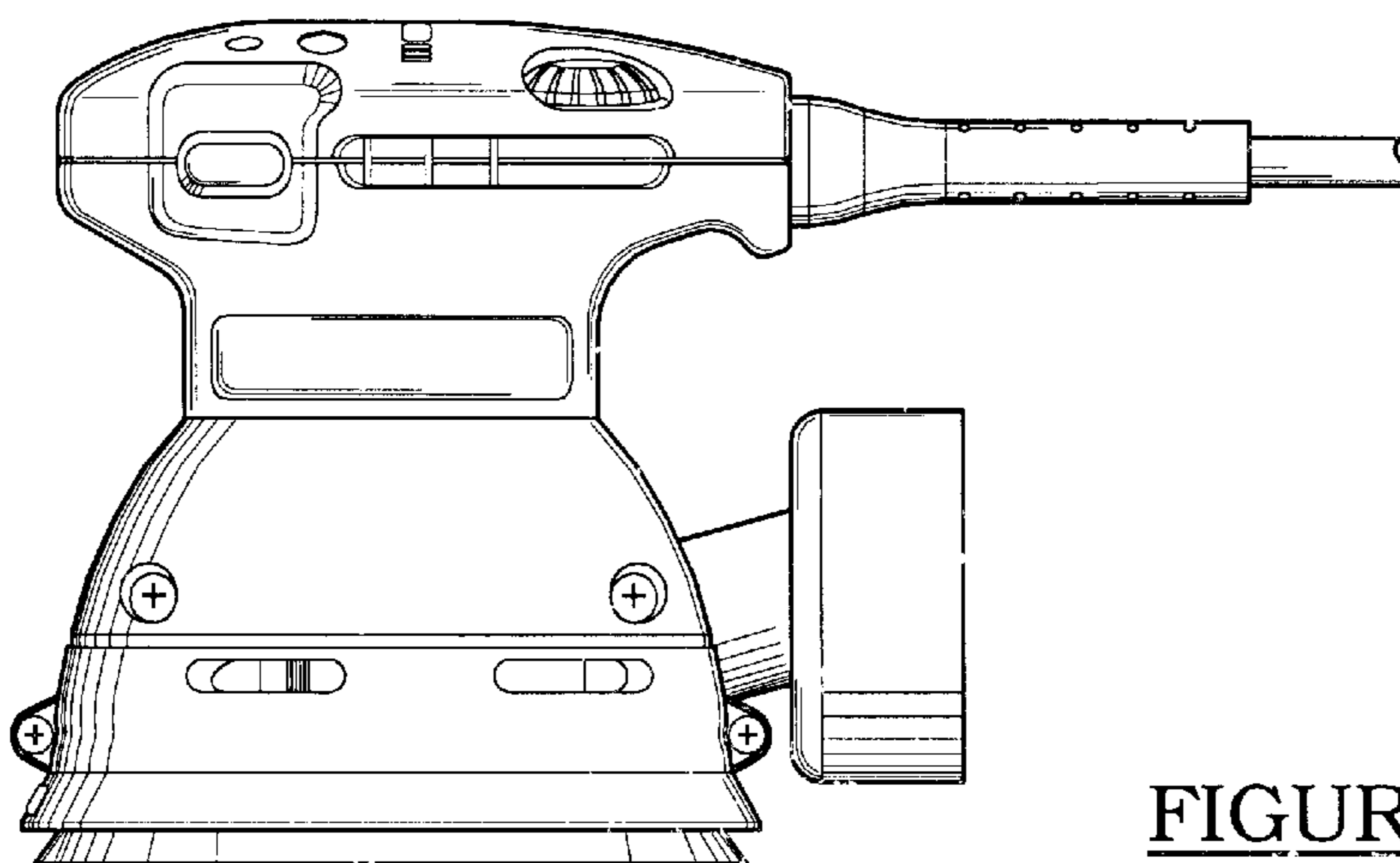


FIGURE 8

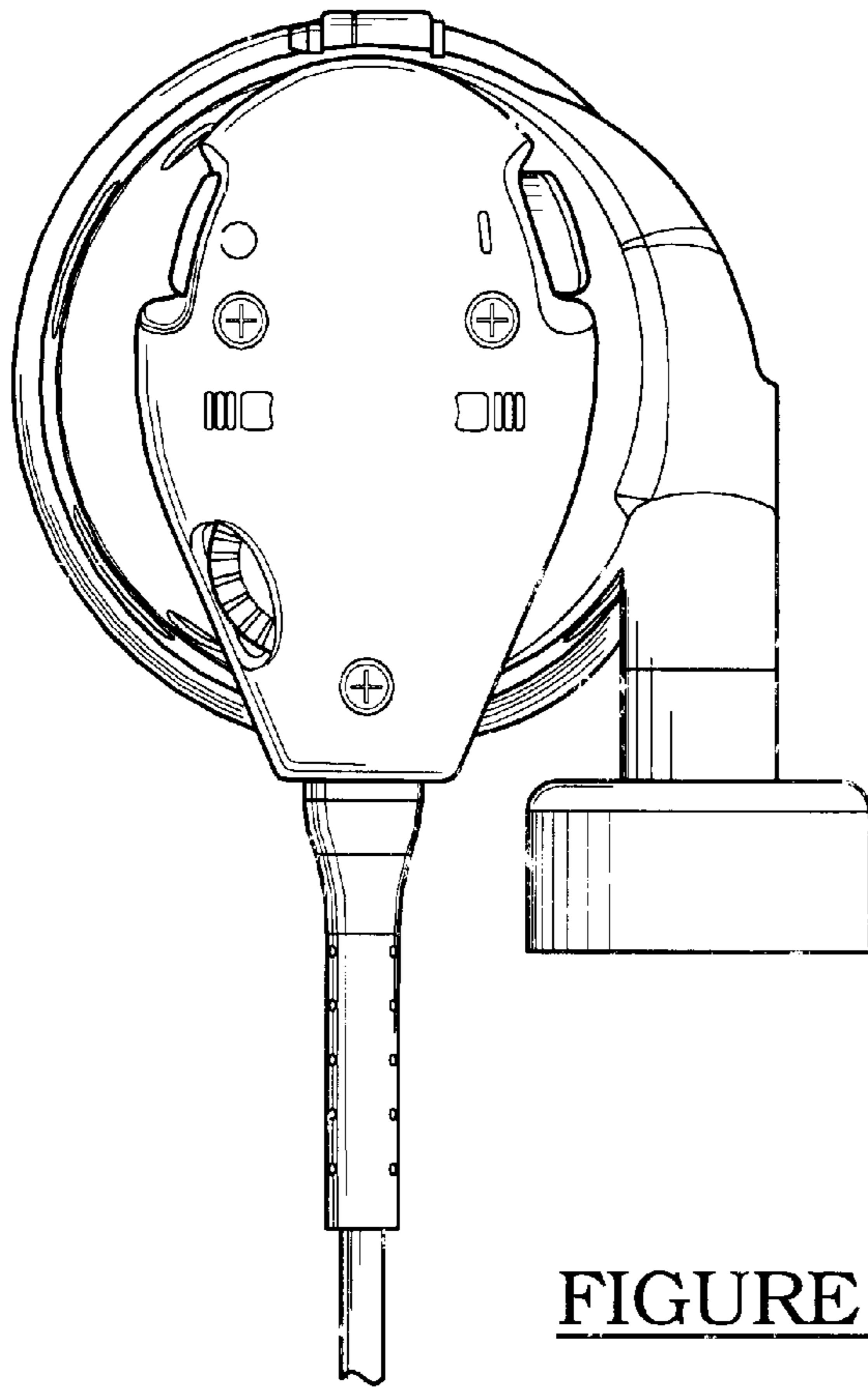


FIGURE 9

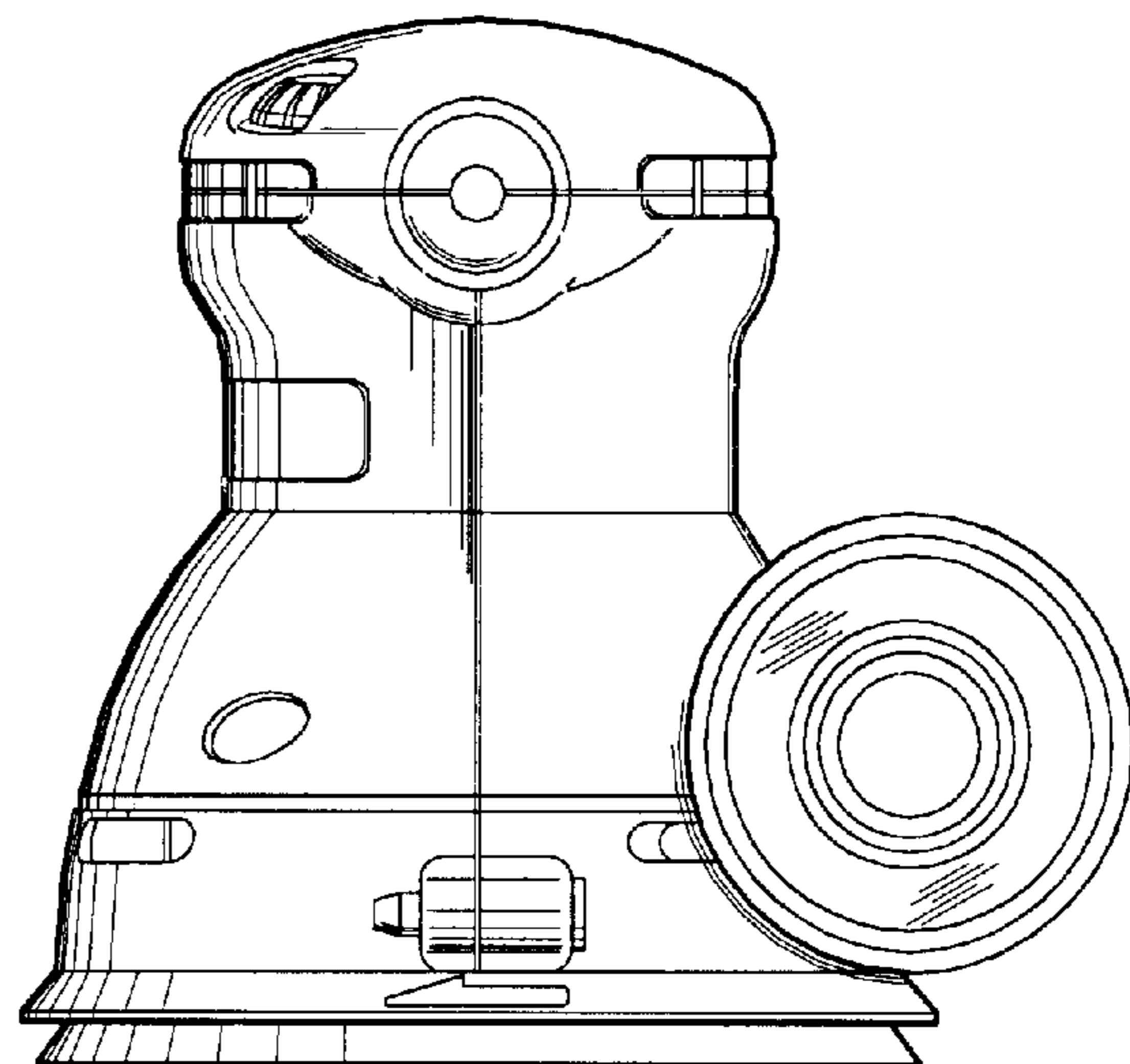


FIGURE 10