



US00D468606S

(12) **United States Design Patent**  
**Morgan**

(10) **Patent No.:** **US D468,606 S**

(45) **Date of Patent:** **\*\* Jan. 14, 2003**

(54) **PNEUMATIC TOOL**

(75) **Inventor:** **Fred M. Morgan**, Jackson, TN (US)

(73) **Assignee:** **DeVilbiss Air Power Company**,  
Jackson, TN (US)

(\*\*) **Term:** **14 Years**

(21) **Appl. No.:** **29/151,473**

(22) **Filed:** **Nov. 8, 2001**

(51) **LOC (7) Cl.** ..... **08-01**

(52) **U.S. Cl.** ..... **D8/61**

(58) **Field of Search** ..... D8/25, 61, 62,  
D8/83, DIG. 7; 81/57.13, 57.26, 57.29,  
57.39, 57.42, 62, 63, 63.1, 63.2, 429, 463,  
464, 467, 469, 470; 173/29, 93, 104, 168,  
169, 170, 178, 216, 217; 60/695; 310/50;  
451/344, 351, 357, 358, 359, 451, 456

(56) **References Cited**

**U.S. PATENT DOCUMENTS**

1,385,178 A \* 7/1921 Levedahl ..... 173/169  
2,900,856 A \* 8/1959 Maier ..... 81/54  
3,591,989 A \* 7/1971 Granlie ..... 451/451  
4,106,750 A \* 8/1978 Karden et al. .... 173/69

D347,372 S \* 5/1994 Ghode et al. .... D8/61  
5,775,981 A \* 7/1998 Yang ..... 451/295  
5,911,281 A \* 6/1999 Treskog et al. .... 173/104

**OTHER PUBLICATIONS**

Cut-off Tool, RF©-3201, RF Air Tools brochure, No.  
93/2033, Jun. 1993.\*

\* cited by examiner

*Primary Examiner*—Doris V. Coles

*Assistant Examiner*—Elizabeth Albert

(74) *Attorney, Agent, or Firm*—Suiter & Associates PC

(57) **CLAIM**

We claim the ornamental design for pneumatic tool, as  
shown.

**DESCRIPTION**

FIG. 1 is top plan view of a pneumatic tool showing my new  
design;

FIG. 2 is a front elevation view thereof;

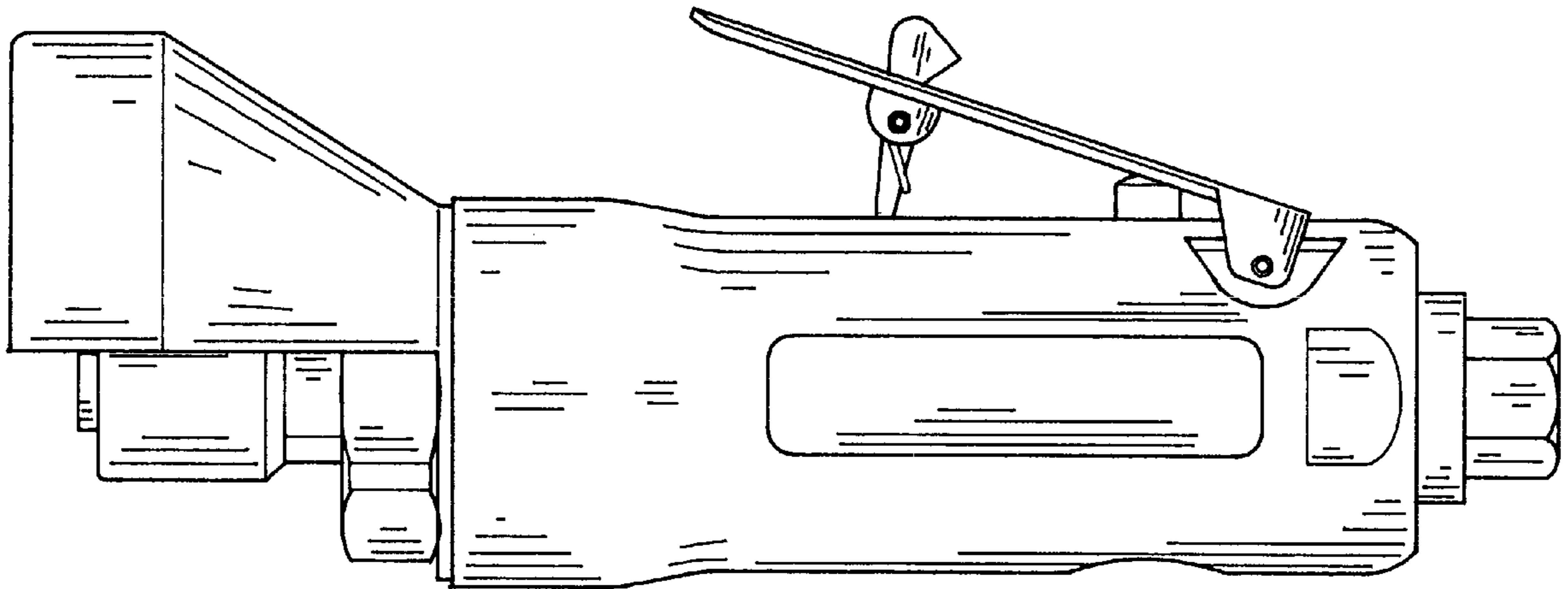
FIG. 3 is a left side elevation view thereof;

FIG. 4 is a rear elevation view thereof;

FIG. 5 is a right side elevation view thereof; and,

FIG. 6 is a bottom plan view thereof.

**1 Claim, 2 Drawing Sheets**



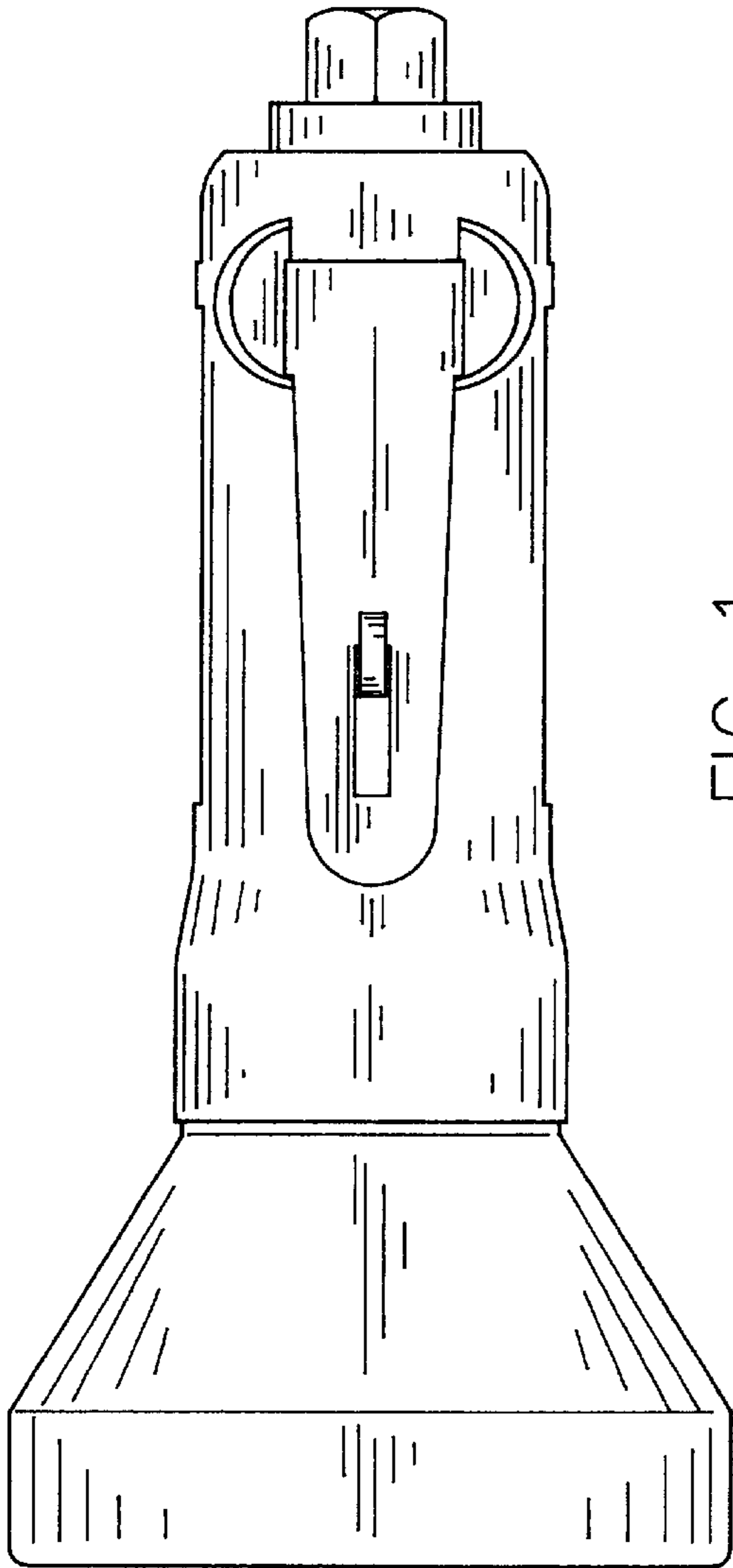


FIG. 1

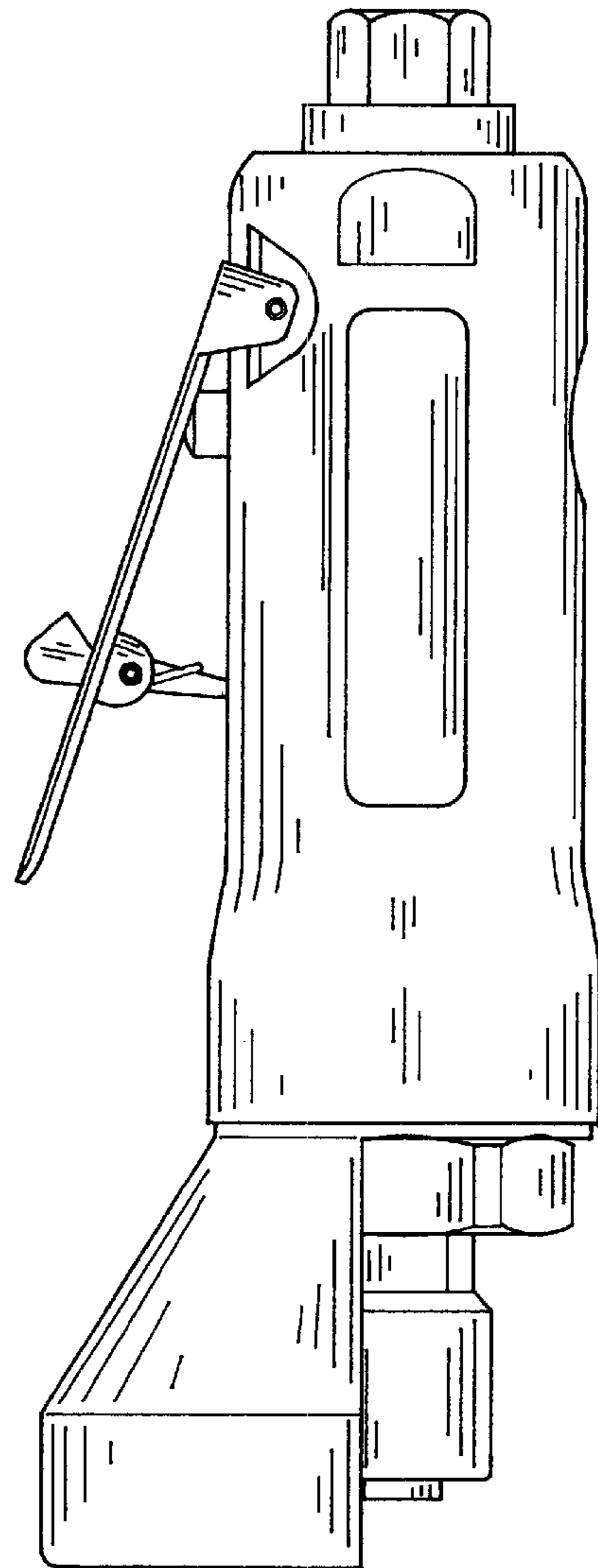


FIG. 3

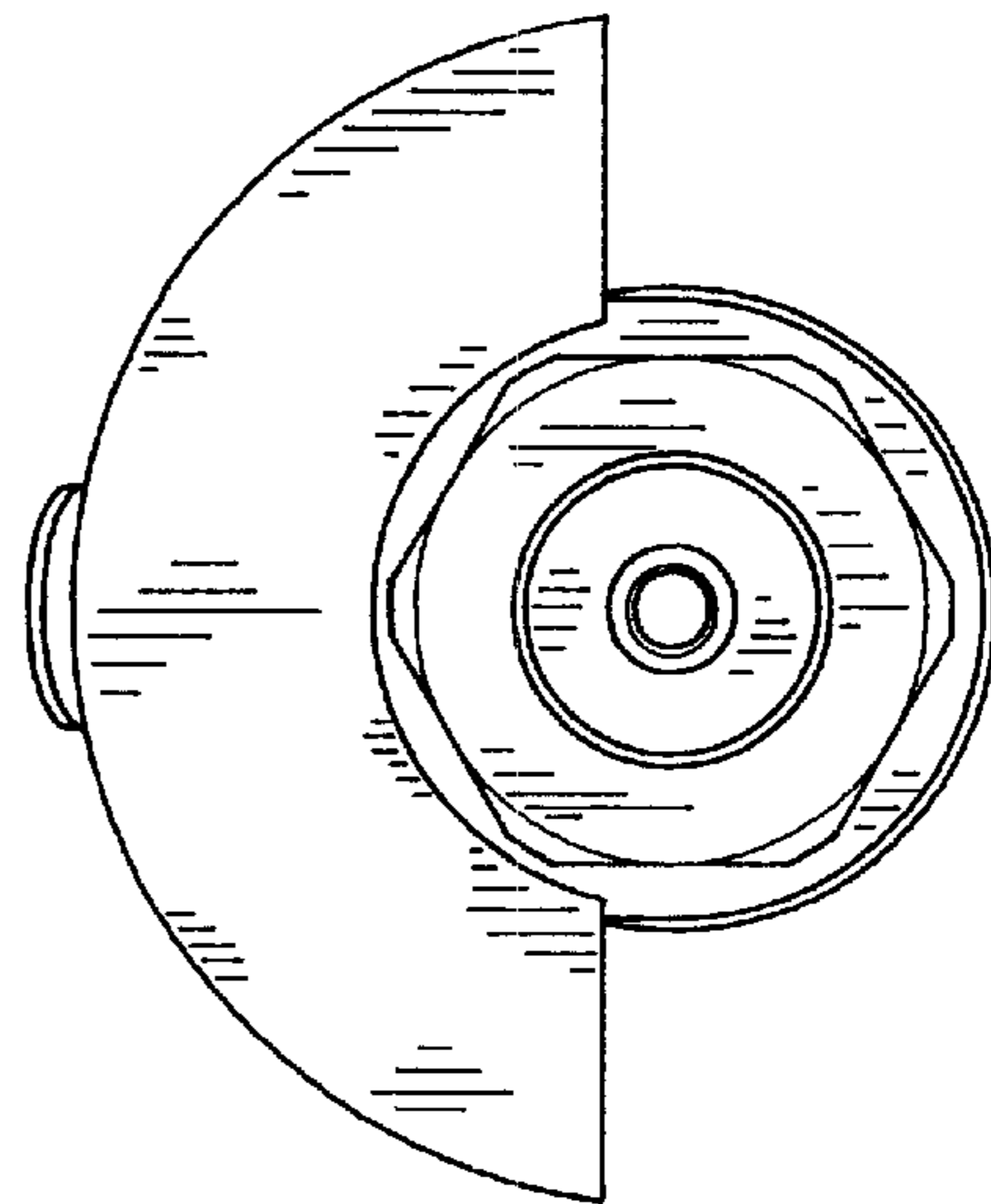


FIG. 2

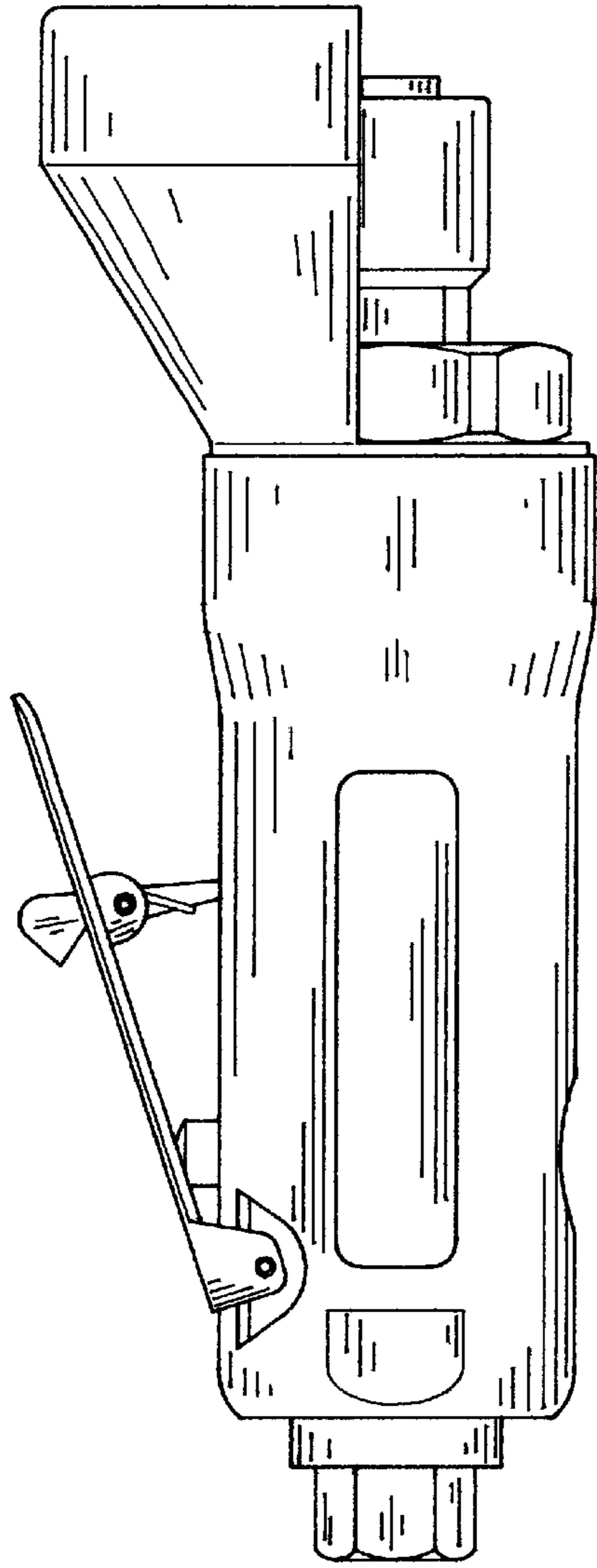


FIG. 5

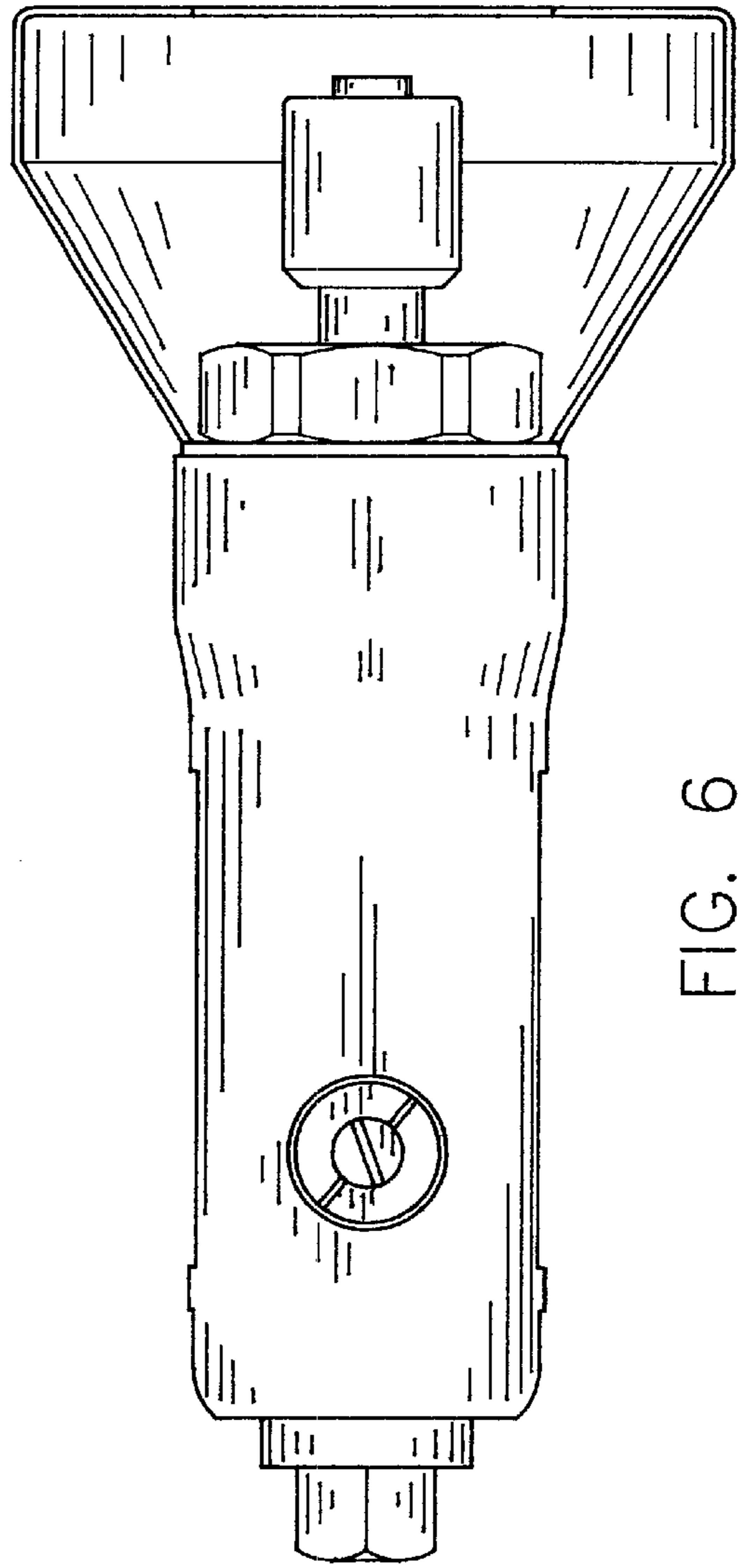


FIG. 6

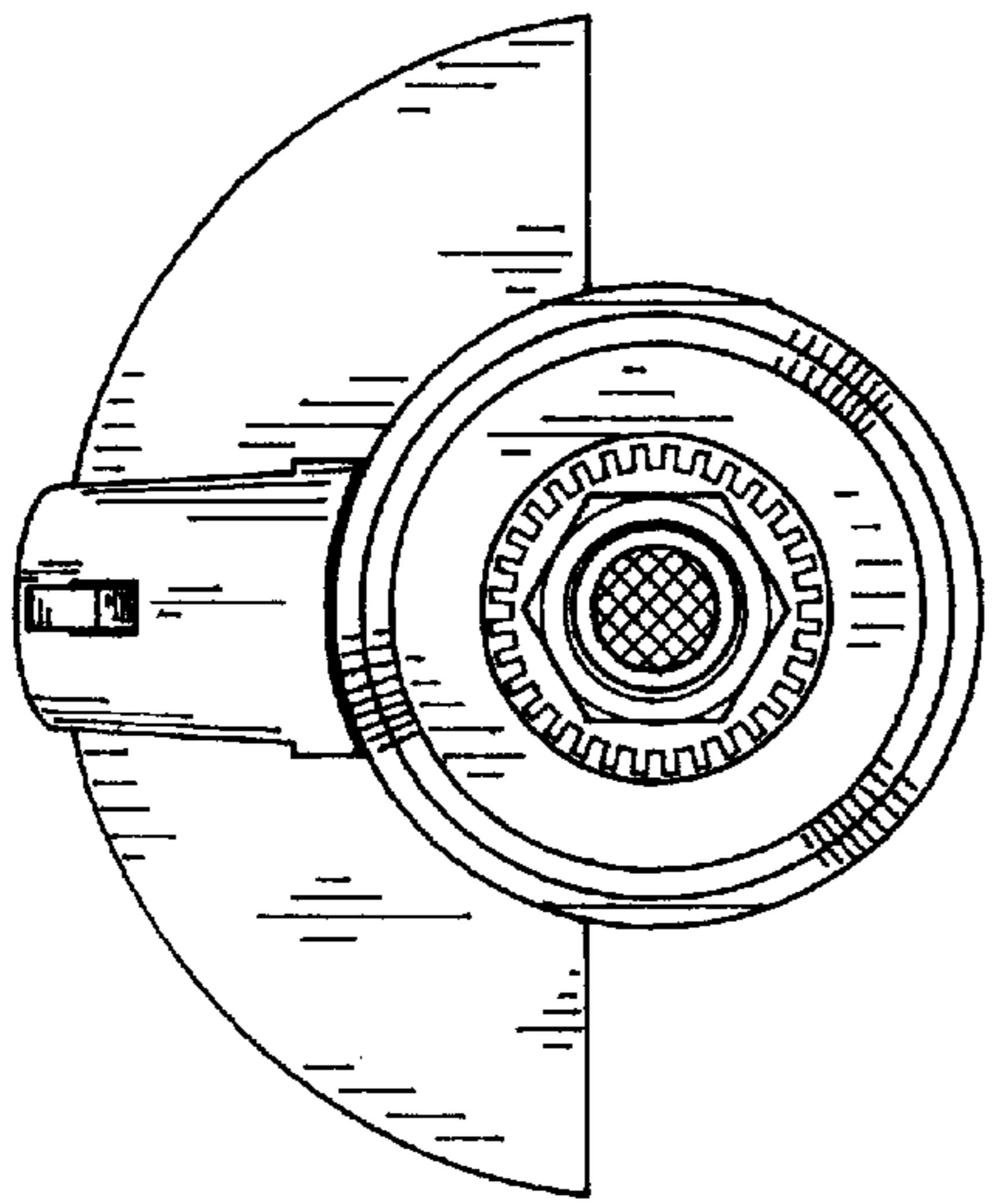


FIG. 4