



US00D468603S

(12) **United States Design Patent**  
**Lee**

(10) **Patent No.:** **US D468,603 S**

(45) **Date of Patent:** **\*\* Jan. 14, 2003**

(54) **RIVETING TOOL**

OTHER PUBLICATIONS

(76) Inventor: **Cheng-Ho Lee**, No. 74, Paokao Rd.,  
Hsintien City, Taipei Hsien (TW)

Remington Tools PowerHammer at sears.com Mfr. Model  
#070700.\*

(\*\*) Term: **14 Years**

\* cited by examiner

(21) Appl. No.: **29/161,930**

*Primary Examiner*—Alan P. Douglas

(22) Filed: **Jun. 7, 2002**

*Assistant Examiner*—Clare E. Heflin

(51) **LOC (7) Cl.** ..... **08-05**

(74) *Attorney, Agent, or Firm*—Troxell Law Office PLLC

(52) **U.S. Cl.** ..... **D8/51**

(57) **CLAIM**

(58) **Field of Search** ..... D8/51, 14; 29/243.521,  
29/243.528; 72/391.8, 453.19

The ornamental design for a riveting tool, as shown.

**DESCRIPTION**

(56) **References Cited**

FIG. 1 is a perspective view of a riveting tool, showing my  
new design;

**U.S. PATENT DOCUMENTS**

FIG. 2 is a front elevational view thereof;

- 2,344,127 A \* 3/1944 Cherry
- D213,524 S \* 3/1969 Scarnato et al.
- D226,159 S \* 1/1973 DeMaio
- D271,371 S \* 11/1983 Fortune ..... D8/51
- D401,488 S \* 11/1998 Bates et al. .... D8/52
- D407,615 S \* 4/1999 Cerulo et al. .... D8/51

FIG. 3 is a rear elevational view thereof;

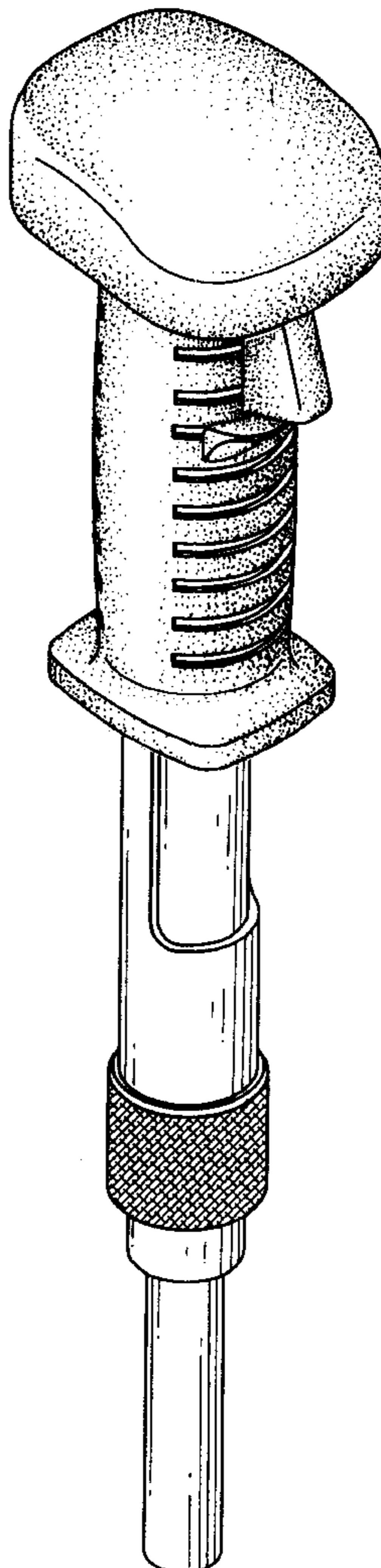
FIG. 4 is a left elevational view thereof;

FIG. 5 is a right elevational view thereof;

FIG. 6 is a top plan view thereof; and,

FIG. 7 is a bottom plan view thereof.

**1 Claim, 4 Drawing Sheets**



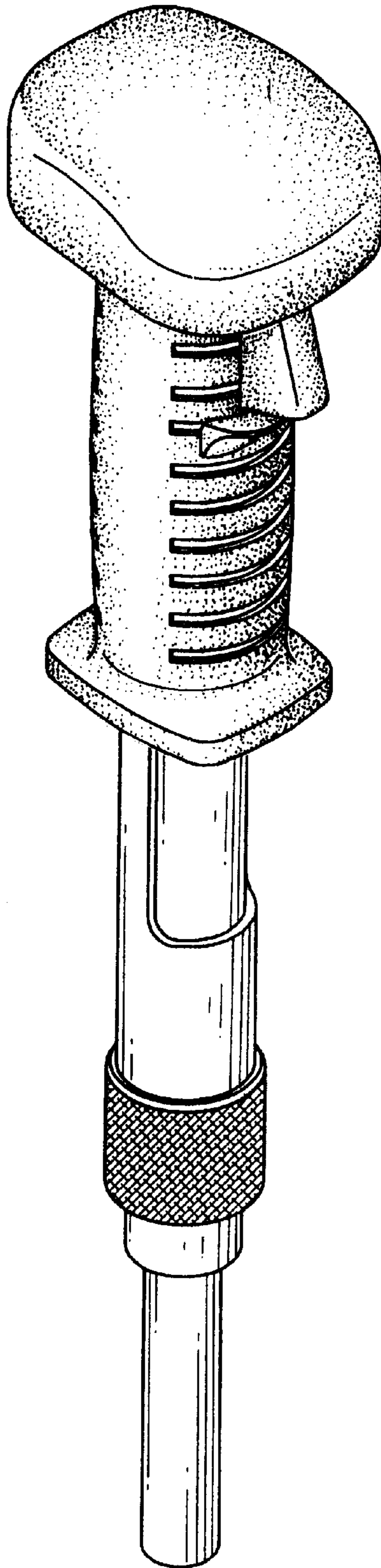


FIG. 1

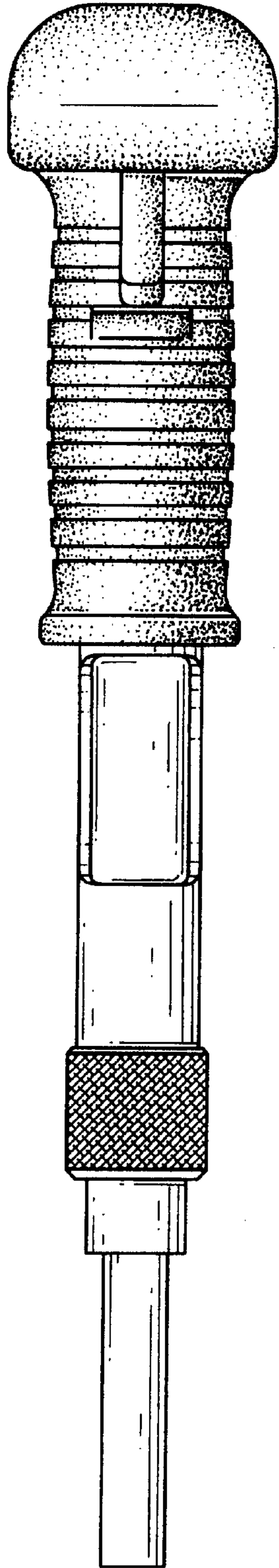


FIG. 2

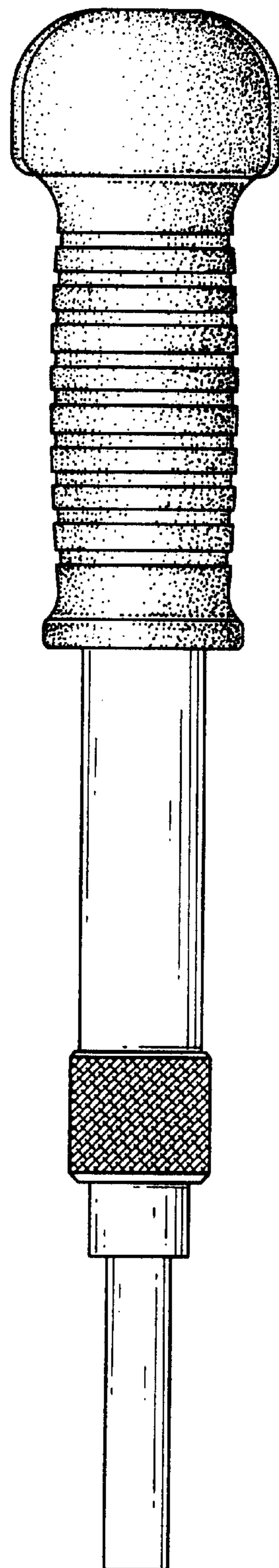


FIG. 3

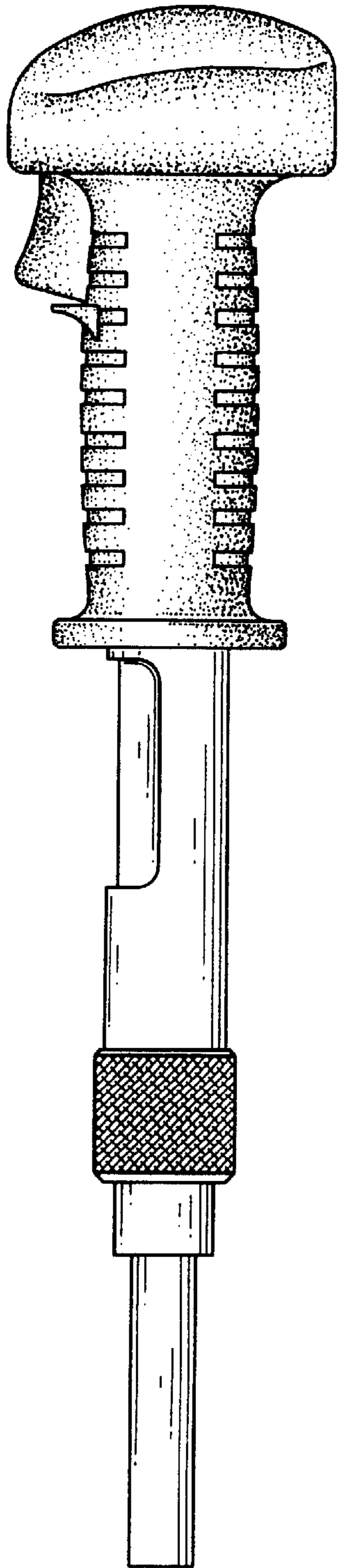


FIG.5

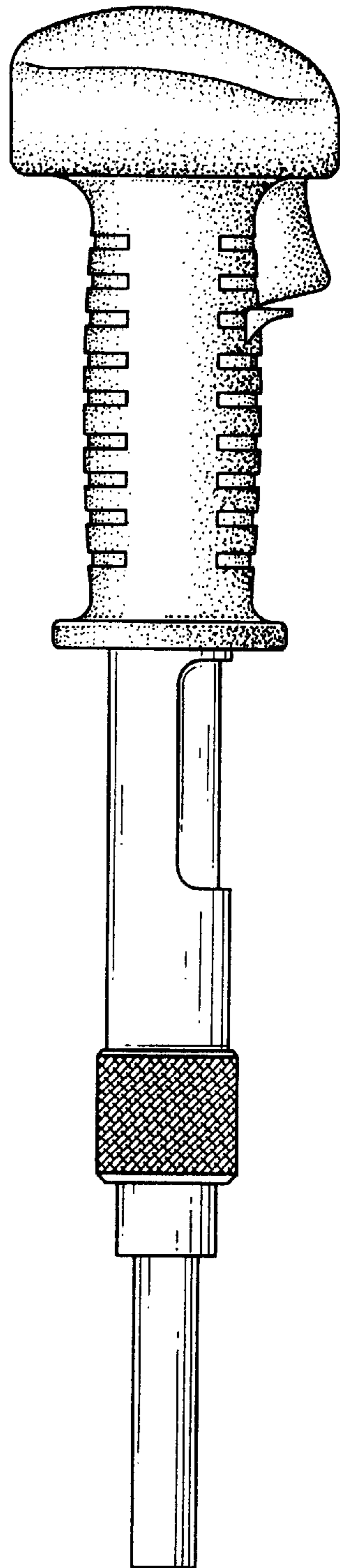


FIG.4

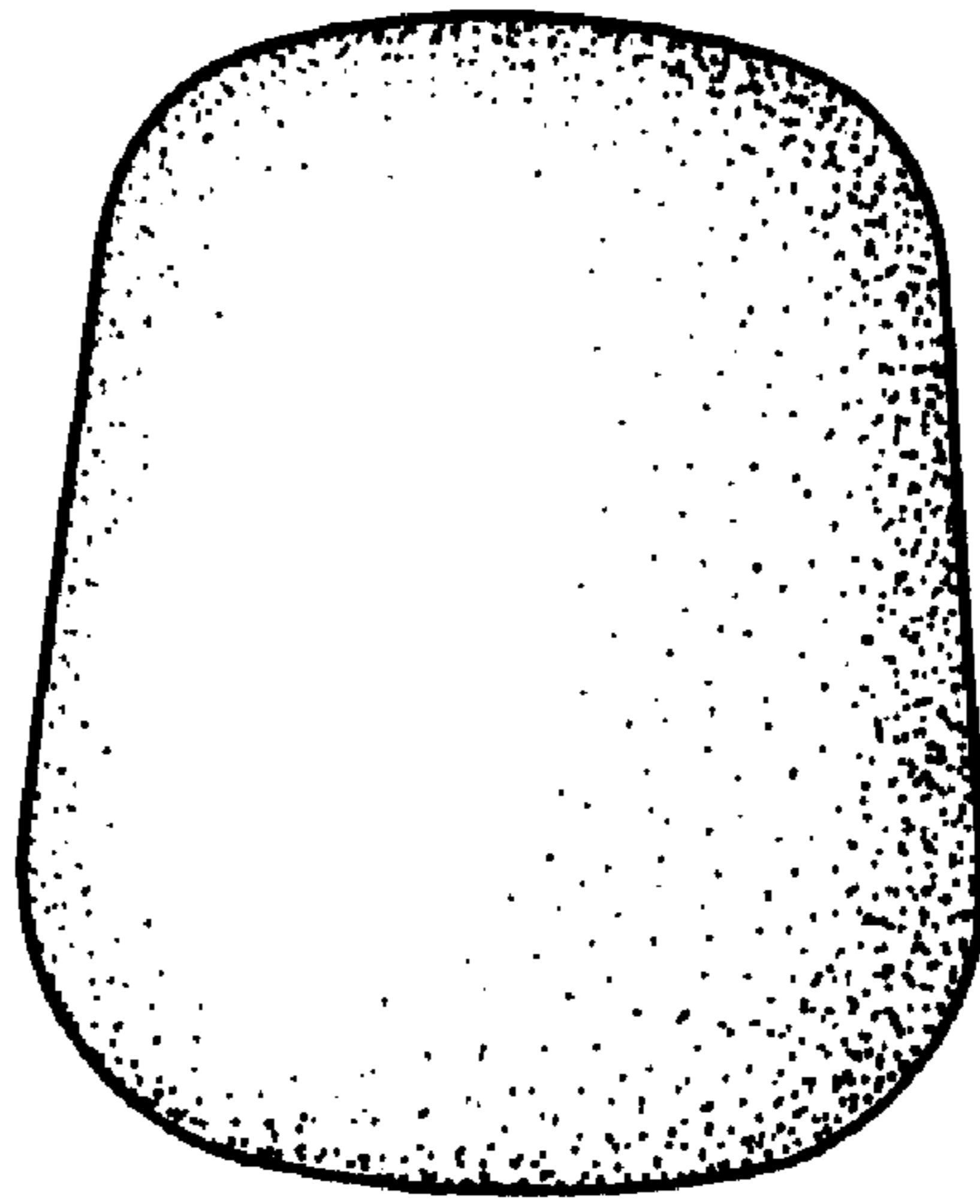


FIG. 6

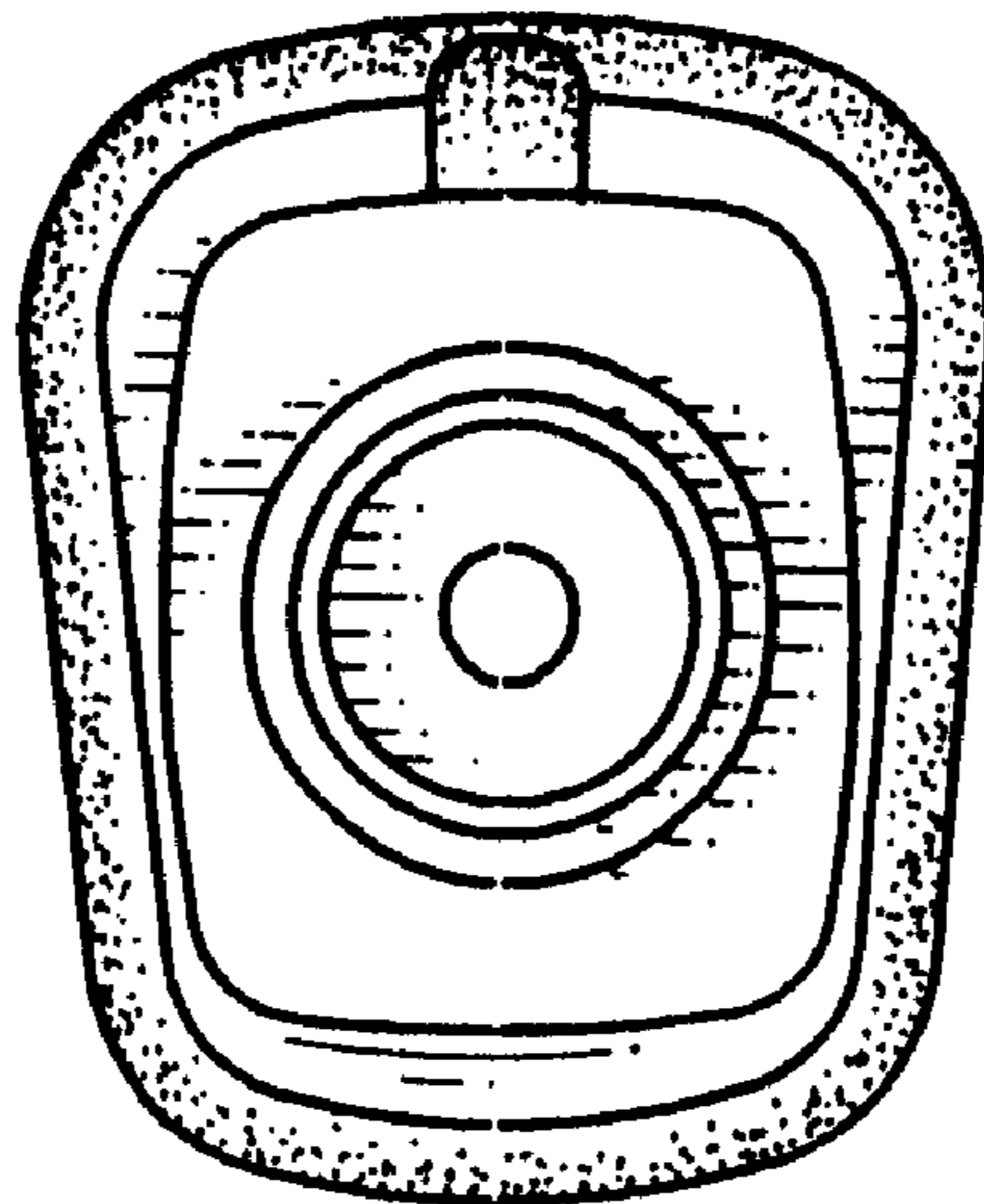


FIG. 7