



US00D468602S

(12) **United States Design Patent**
Yu

(10) **Patent No.:** **US D468,602 S**

(45) **Date of Patent:** **** Jan. 14, 2003**

(54) **CORKSCREW**

(75) **Inventor:** **Kwok Leung Yu, Kwai Chung (HK)**

(73) **Assignee:** **Ko Fung Products Industrial Limited, Kwai Chung (HK)**

(**) **Term:** **14 Years**

(21) **Appl. No.:** **29/158,593**

(22) **Filed:** **Apr. 8, 2002**

(51) **LOC (7) Cl.** **07-99**

(52) **U.S. Cl.** **D8/39; D8/42**

(58) **Field of Search** **D8/33-43, 308, D8/4, 5, 107, 52, 48; 30/400-443; 81/3.07-3.49; 7/151-156; D7/665, 666; D23/250, 252; D12/179, 180; 74/523, 480 R, 489, 502.2**

(56) **References Cited**

U.S. PATENT DOCUMENTS

4,156,371	A	*	5/1979	Juy	74/489
4,253,351	A	*	3/1981	Allen	81/3.29
D293,757	S	*	1/1988	Pedrini	D7/666
D324,156	S	*	2/1992	Shun	D7/682
D342,650	S	*	12/1993	So	D7/666
D408,697	S	*	4/1999	Bergen	D8/42
D415,667	S	*	10/1999	de Bergen	D8/42
D420,558	S	*	2/2000	Lee	D8/39
D430,994	S	*	9/2000	Kilduff	D8/39
D441,265	S	*	5/2001	Kilduff	D8/39
D442,043	S	*	5/2001	Kao	D8/39
D442,045	S	*	5/2001	Kilduff	D8/39
D444,045	S	*	6/2001	Kay	D8/39

D445,008	S	*	7/2001	Andina et al.	D8/42
D446,098	S	*	8/2001	Kilduff	D8/39
D446,702	S	*	8/2001	Kilduff	D8/39
6,357,322	B1	*	3/2002	Dolan et al.	81/3.37
D455,058	S	*	4/2002	Stirling	D8/39

OTHER PUBLICATIONS

www.winetimegiftstore.com, 2pgs., Jan. 9, 2002, lever model lx and lever model 2000.*

Summer 1997 Chef's Catalog, dated May 5, 1997, p. 76, Leverpull LX professional model.*

* cited by examiner

Primary Examiner—Jeffrey Asch

(74) *Attorney, Agent, or Firm*—Birch, Stewart, Kolasch & Birch, LLP

(57) **CLAIM**

The ornamental design for a corkscrew, as shown and described.

DESCRIPTION

FIG. 1 is a perspective view of a corkscrew showing my new design;

FIG. 2 is a front perspective view thereof, shown on a reduced scale with parts in alternative position;

FIG. 3 is a front view thereof;

FIG. 4 is a rear view thereof;

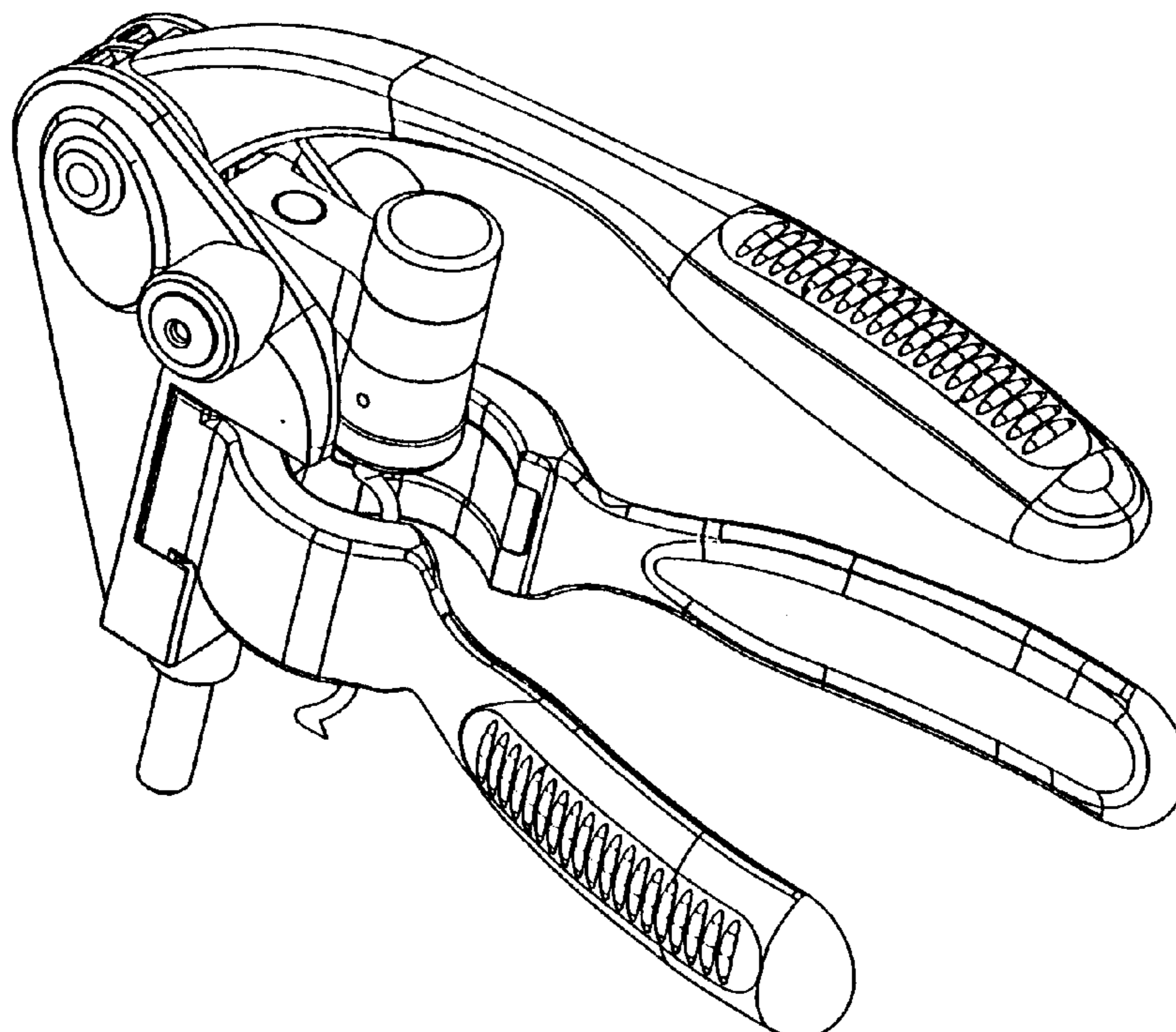
FIG. 5 is a left side view thereof;

FIG. 6 is a right side view thereof;

FIG. 7 is a top plan view thereof; and,

FIG. 8 is a bottom plan view thereof.

1 Claim, 4 Drawing Sheets



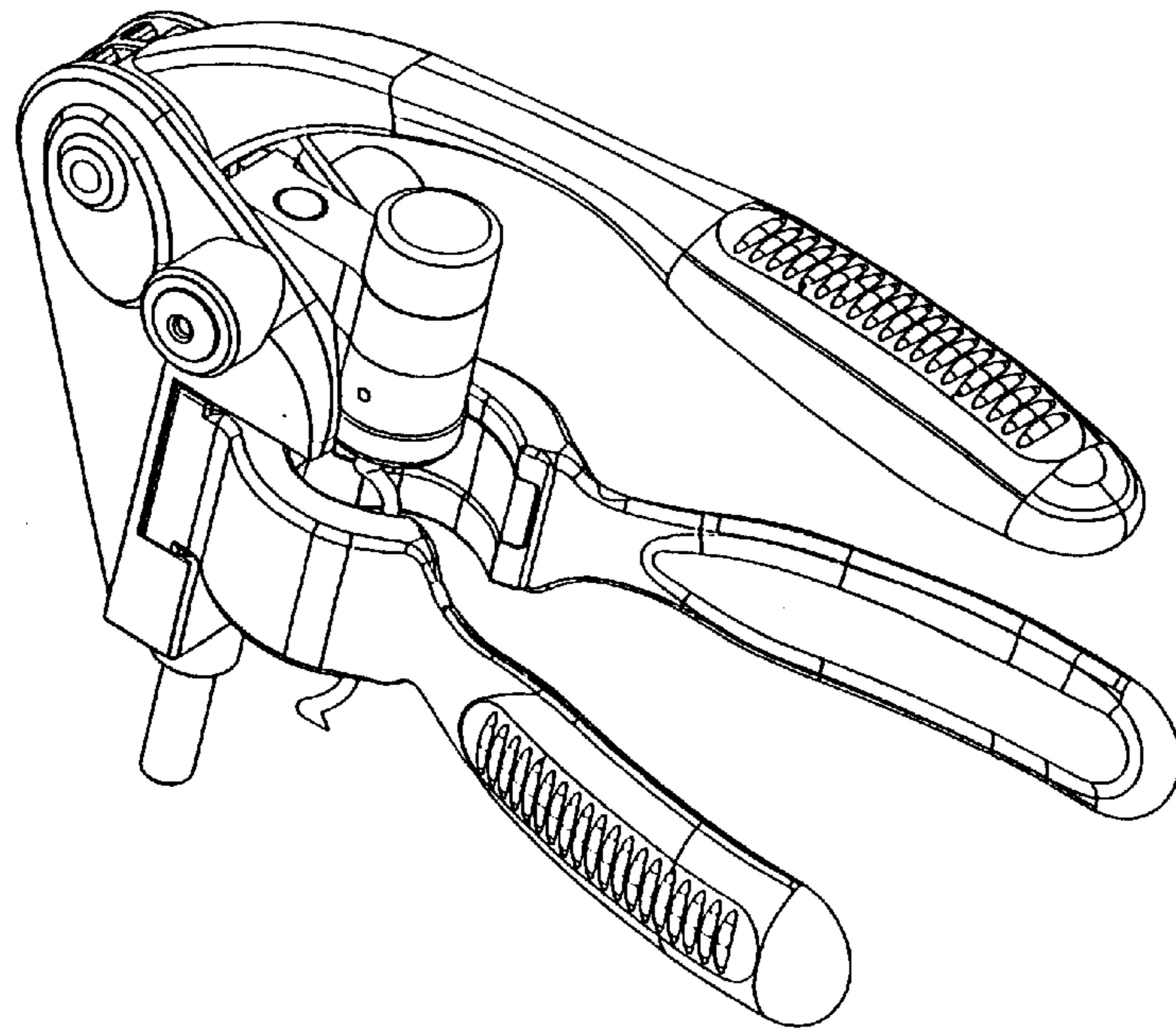


Fig. 1

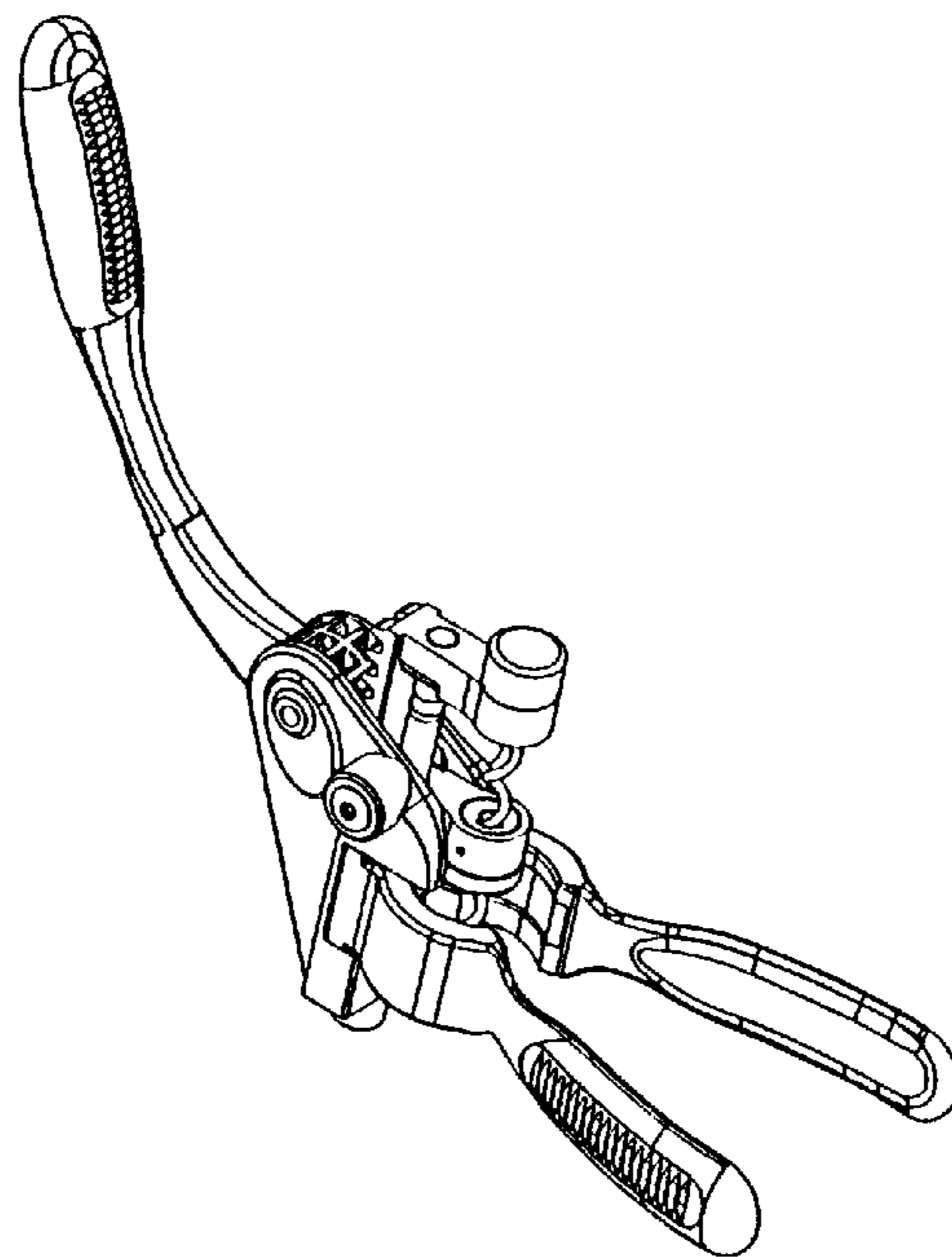


Fig. 2

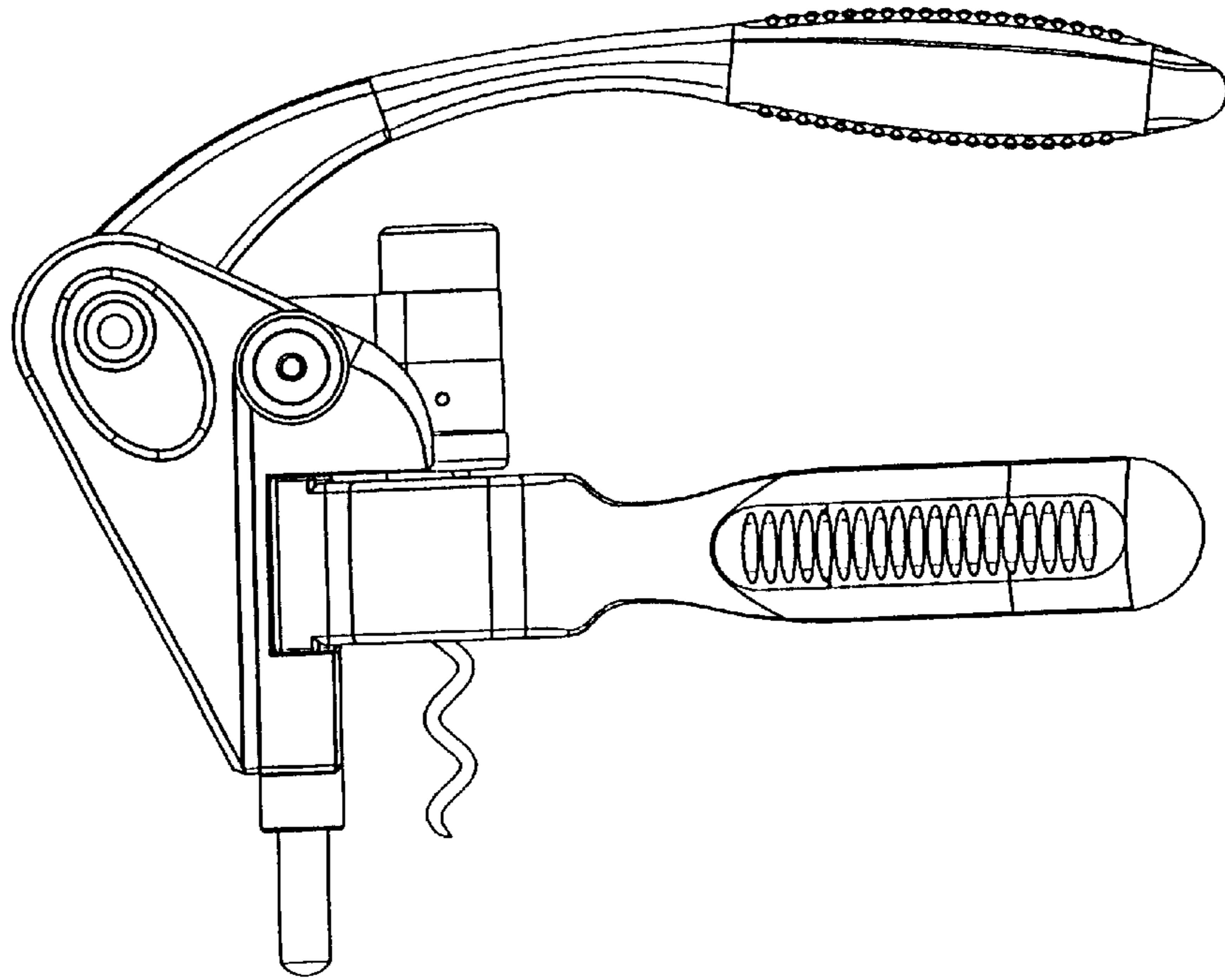


Fig. 3

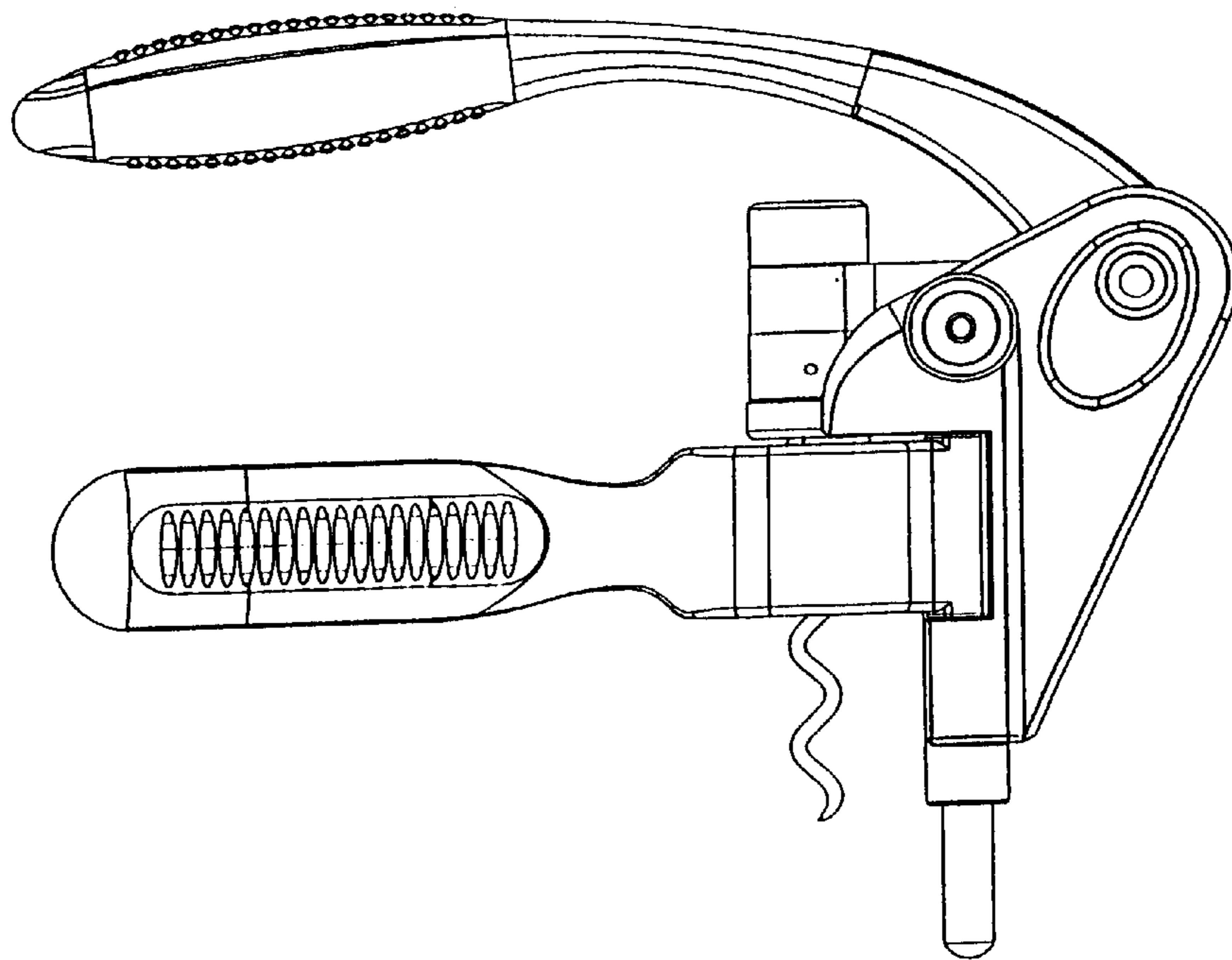


Fig. 4

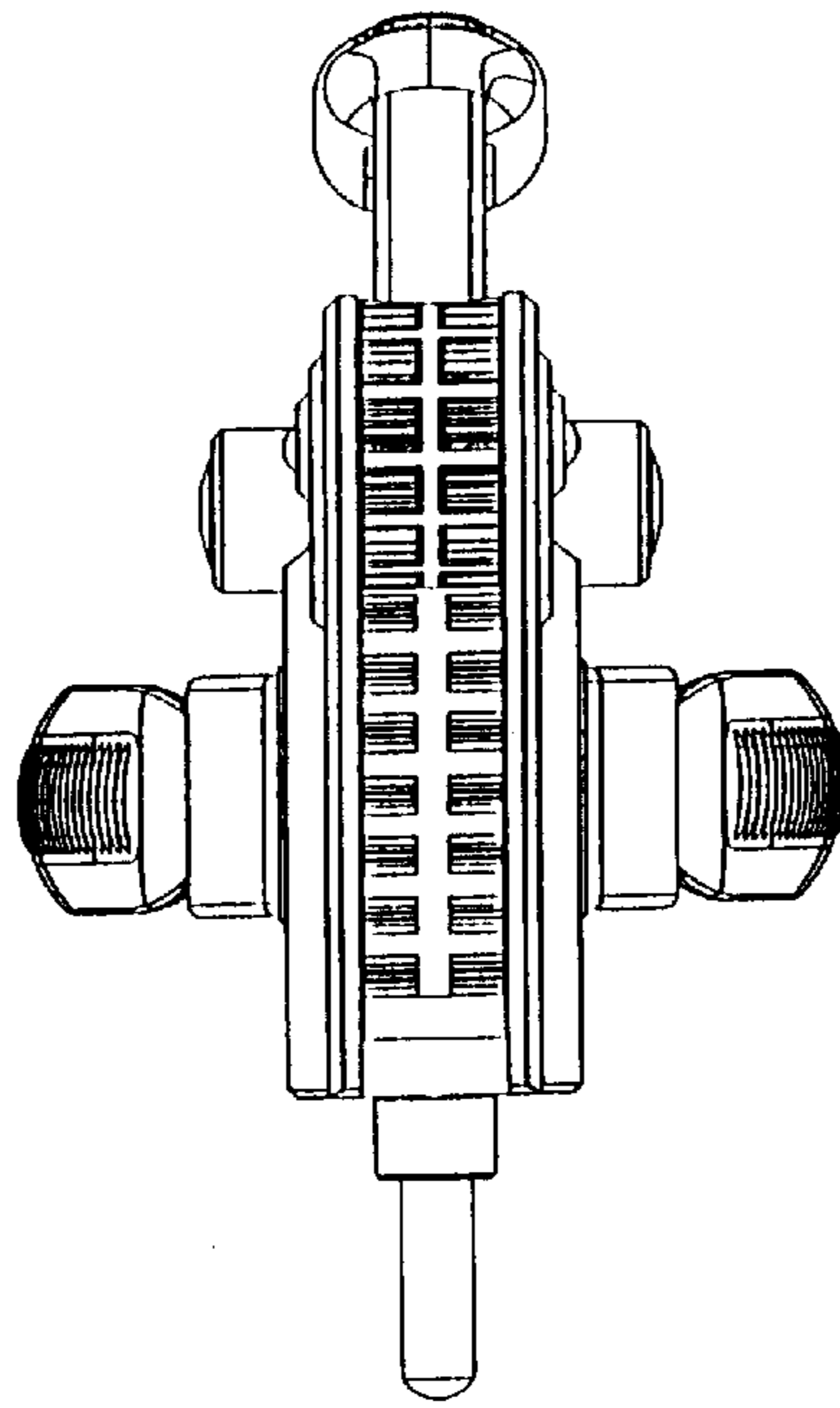


Fig. 5

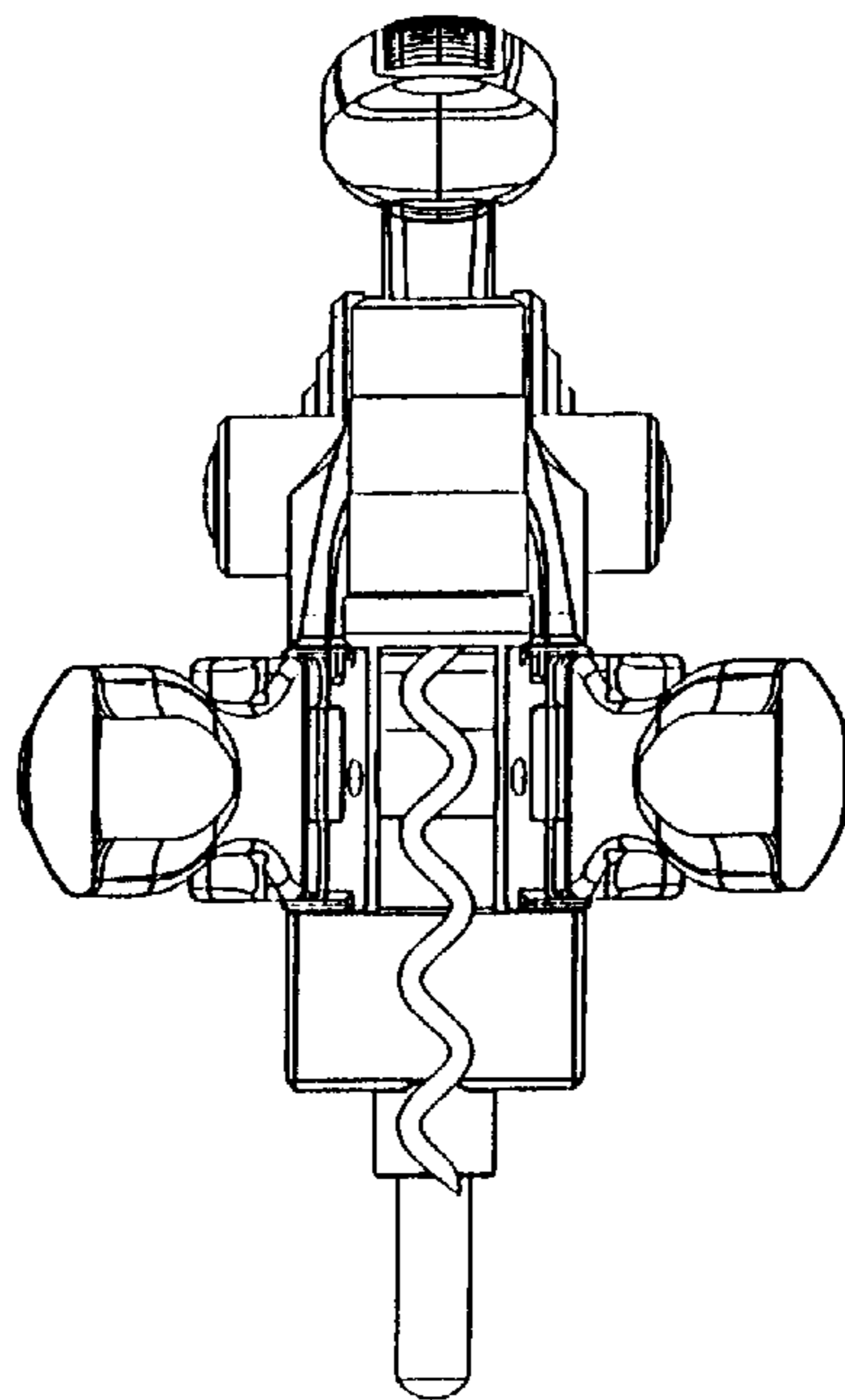


Fig. 6

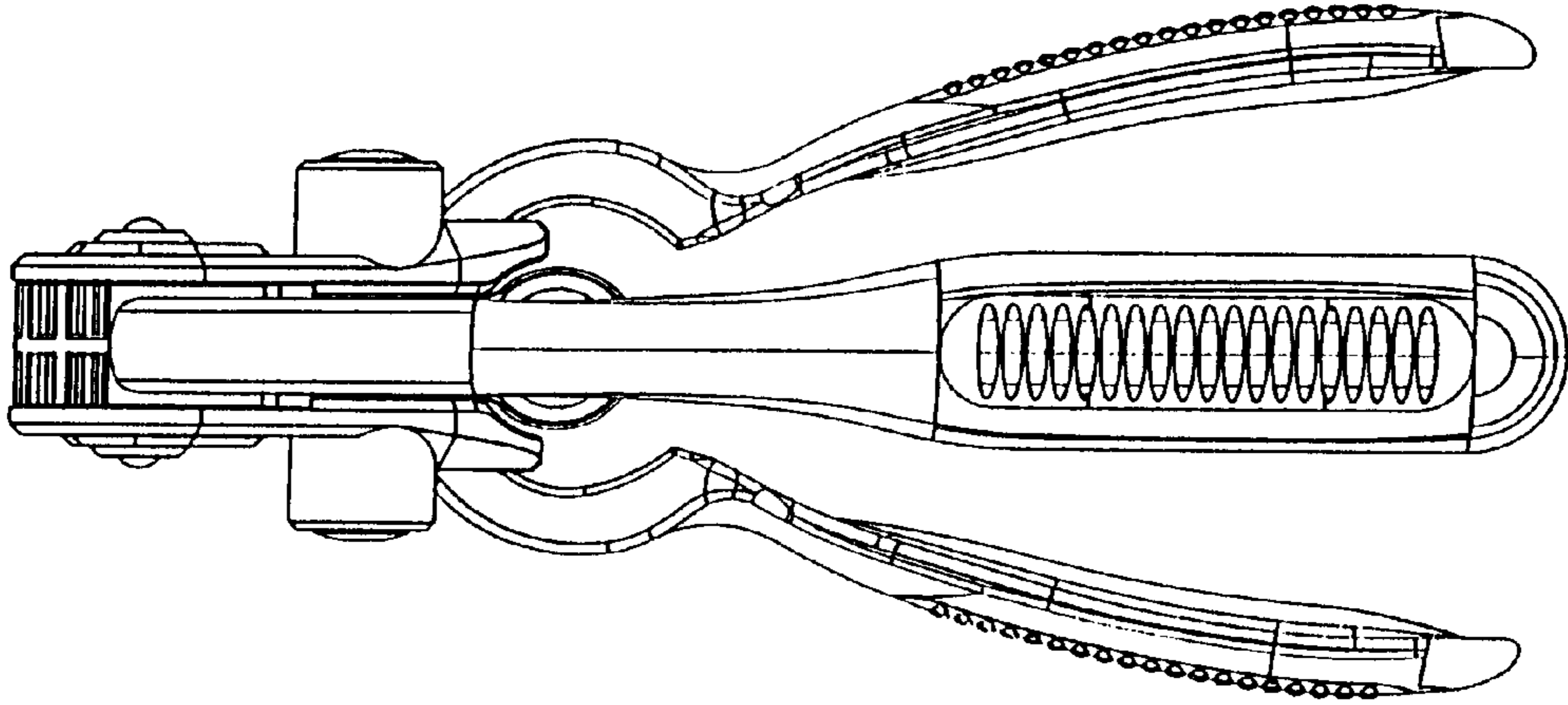


Fig. 7

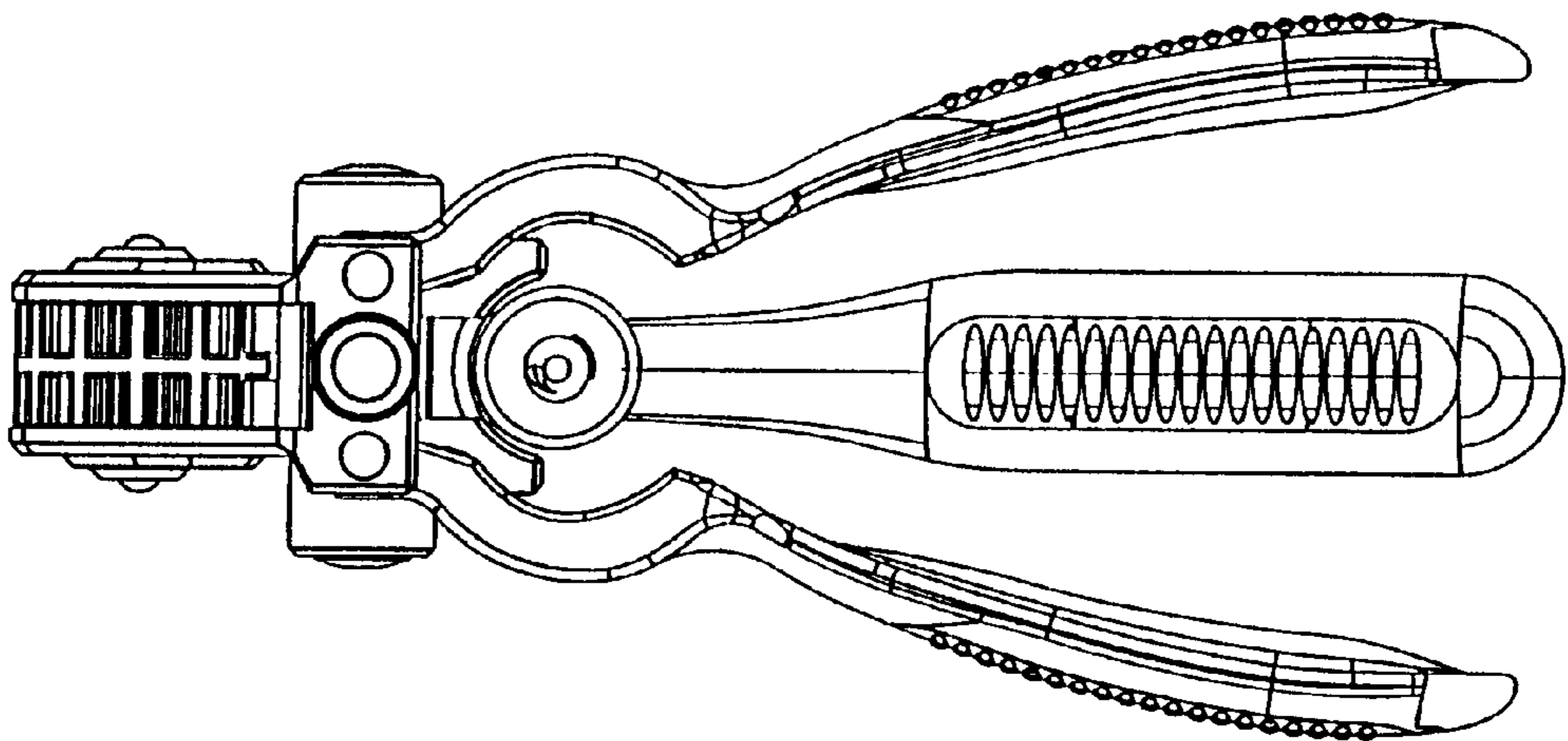


Fig. 8