



US00D468601S

(12) **United States Design Patent**
Horst

(10) **Patent No.:** **US D468,601 S**

(45) **Date of Patent:** **** Jan. 14, 2003**

(54) **REPLACEABLE EXTENSION TIP FOR A CAULKING GUN**

5,445,523 A * 8/1995 Fischer et al. 433/90
6,076,712 A * 6/2000 Esber et al. 222/527

(76) **Inventor:** **Donald L. Horst**, P.O. Box 67, Eagle, CO (US) 81631

* cited by examiner

Primary Examiner—Philips S. Hyder

(**) **Term:** **14 Years**

(74) *Attorney, Agent, or Firm*—Donald R. Schoonover

(21) **Appl. No.:** **29/153,525**

(57) **CLAIM**

(22) **Filed:** **Jan. 10, 2002**

I claim the ornamental design for a replaceable extension tip for a caulking gun, as shown and described.

(51) **LOC (7) Cl.** **08-05**

DESCRIPTION

(52) **U.S. Cl.** **D8/14.1**

(58) **Field of Search** D8/14.1, 14; D9/447; 222/566, 567, 568, 325, 340; 401/261; 215/235, 237, 239, 244

FIG. 1 is a perspective view of the replaceable extension tip for a caulking gun embodying the design of the present invention.

FIG. 2 is a front elevational view thereof;

FIG. 3 is a rear elevational view thereof;

FIG. 4 is a side elevational view thereof;

FIG. 5 is a top plan view thereof;

FIG. 6 is a bottom plan view thereof; and,

FIG. 7 is a perspective view of the replaceable extension tip for a caulking gun in use.

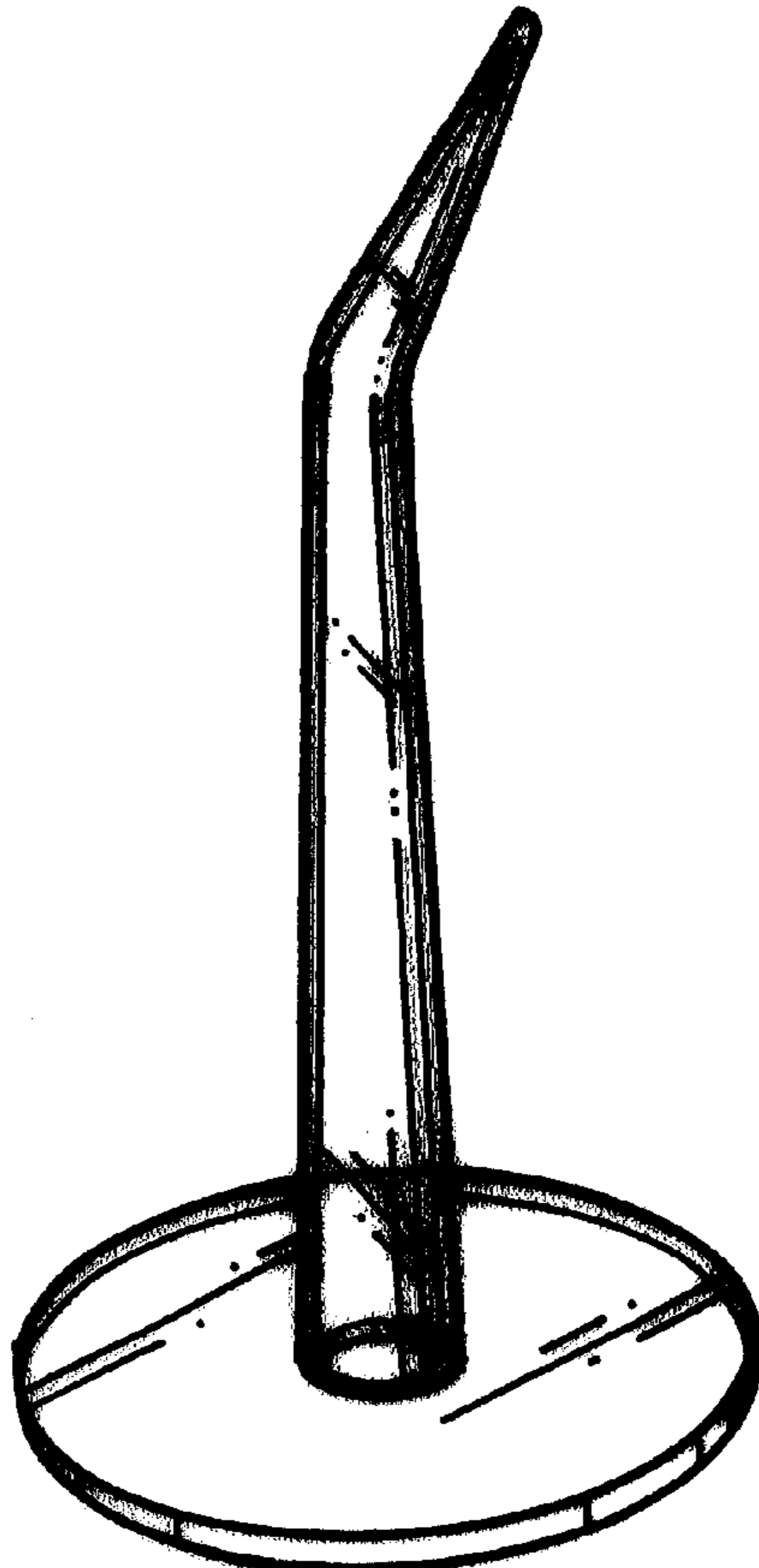
The broken line showing of environmental structure is for illustrative purposes only and forms no part of the claimed design.

(56) **References Cited**

U.S. PATENT DOCUMENTS

1,296,045 A	3/1919	Campbell	
2,833,444 A	5/1958	Sherbondy	
2,953,285 A *	9/1960	McKelvey	222/325
2,981,449 A *	4/1961	Perkins	222/541.2
3,058,632 A	10/1962	Stremmel	
4,258,884 A *	3/1981	Rogers	222/570
4,957,223 A *	9/1990	Beilush	222/326
5,017,113 A *	5/1991	Heaton et al.	222/327
5,029,738 A *	7/1991	Dillon	222/215

1 Claim, 3 Drawing Sheets



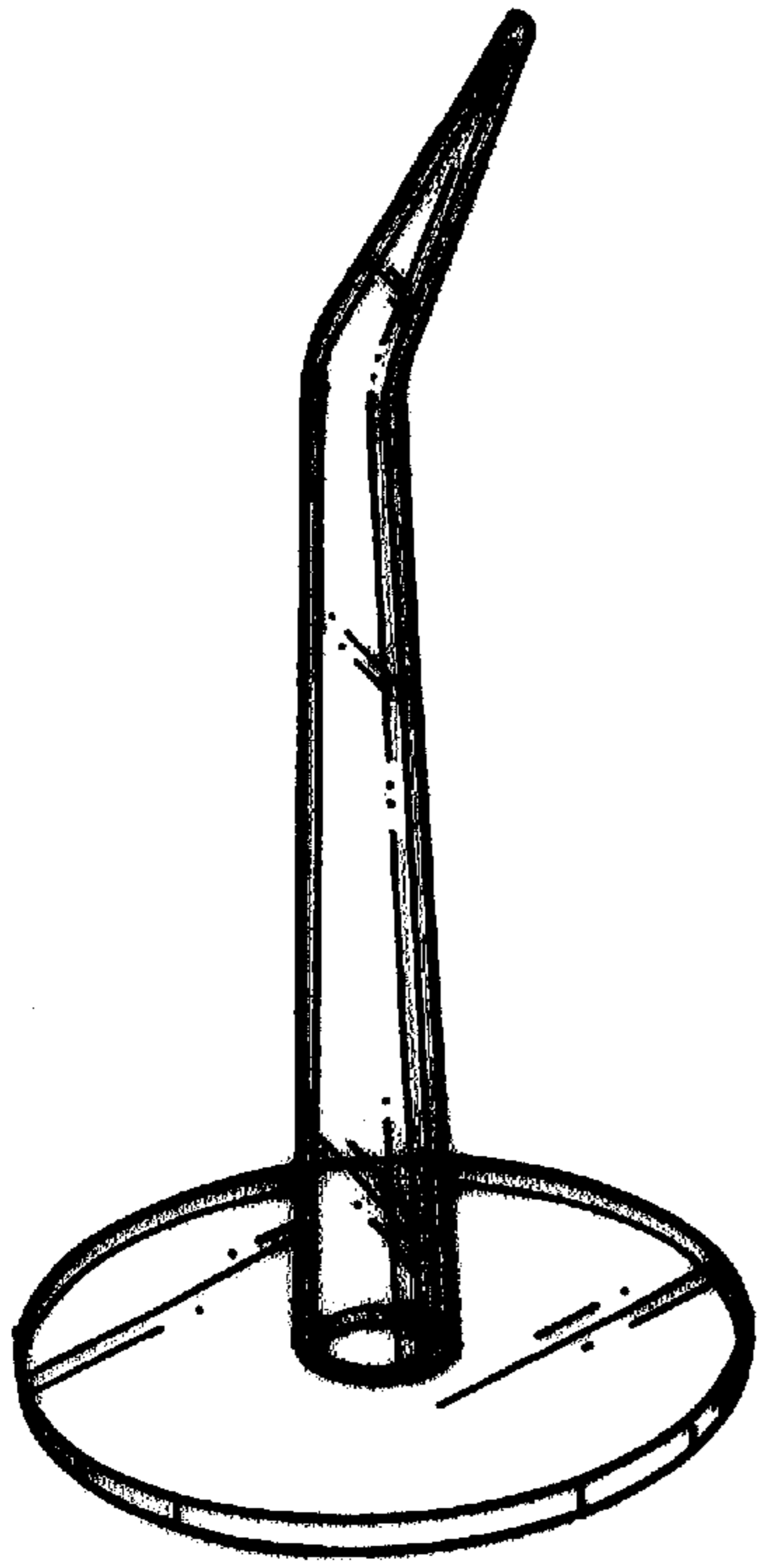


FIG. 1.

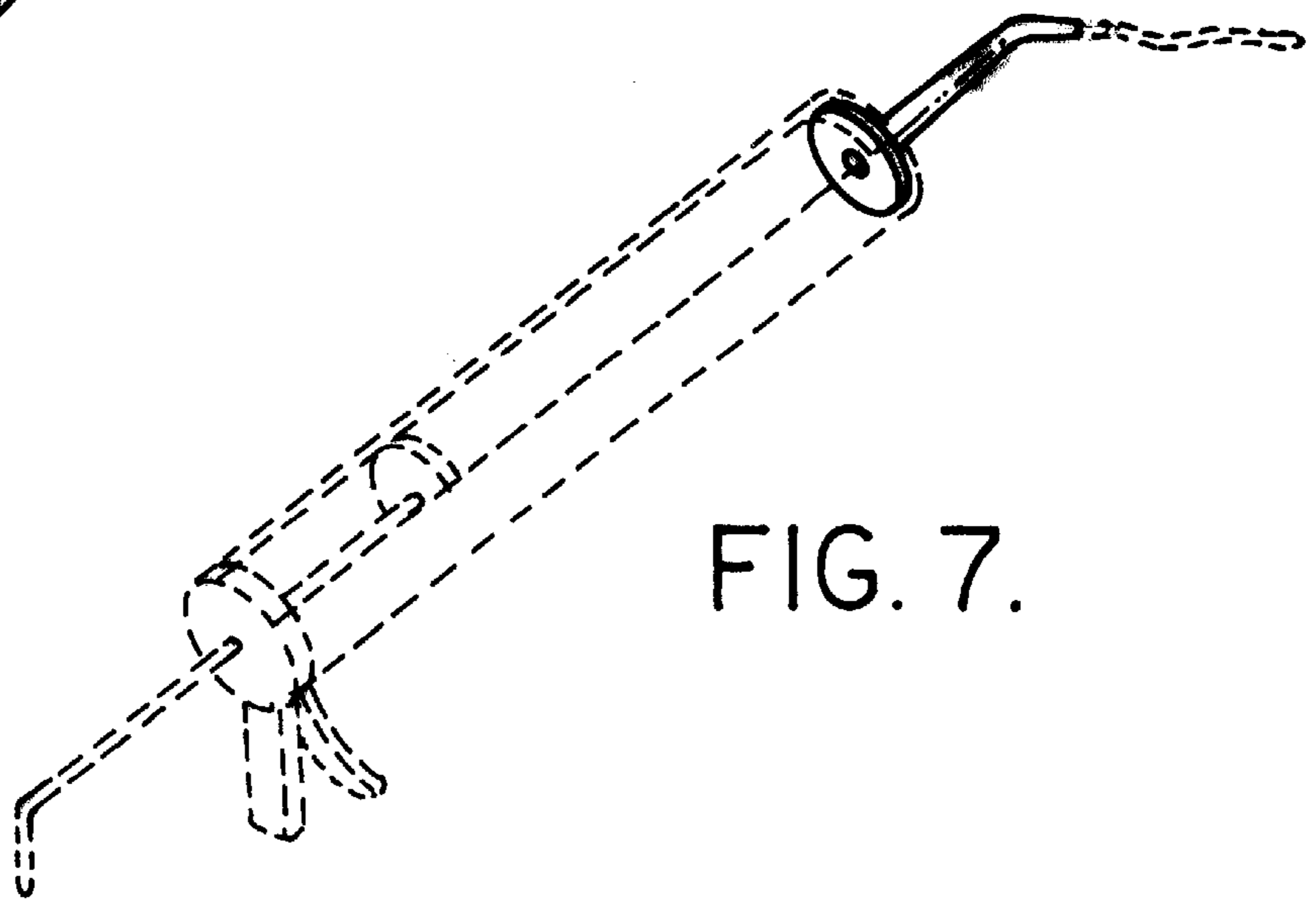


FIG. 7.

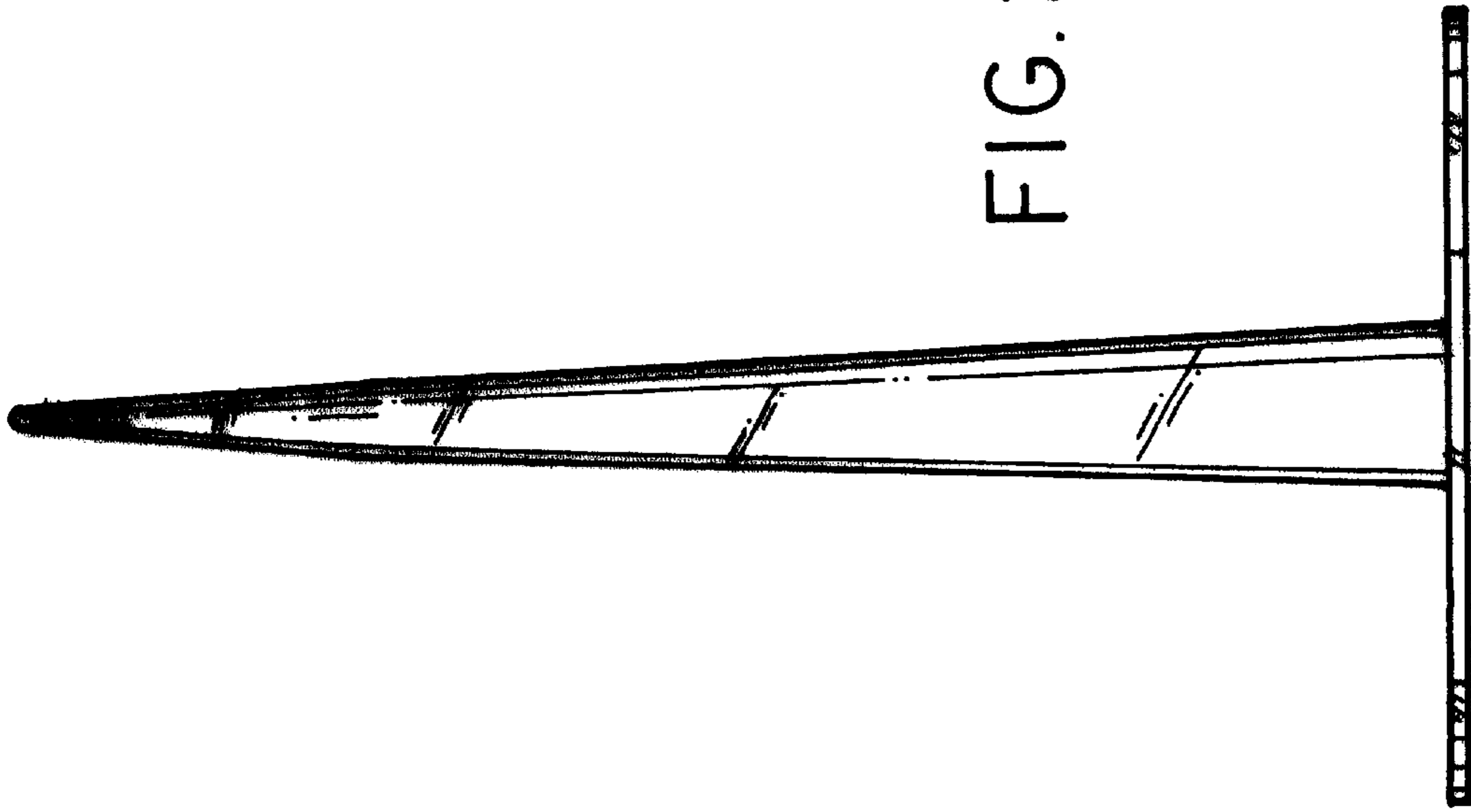


FIG. 2.

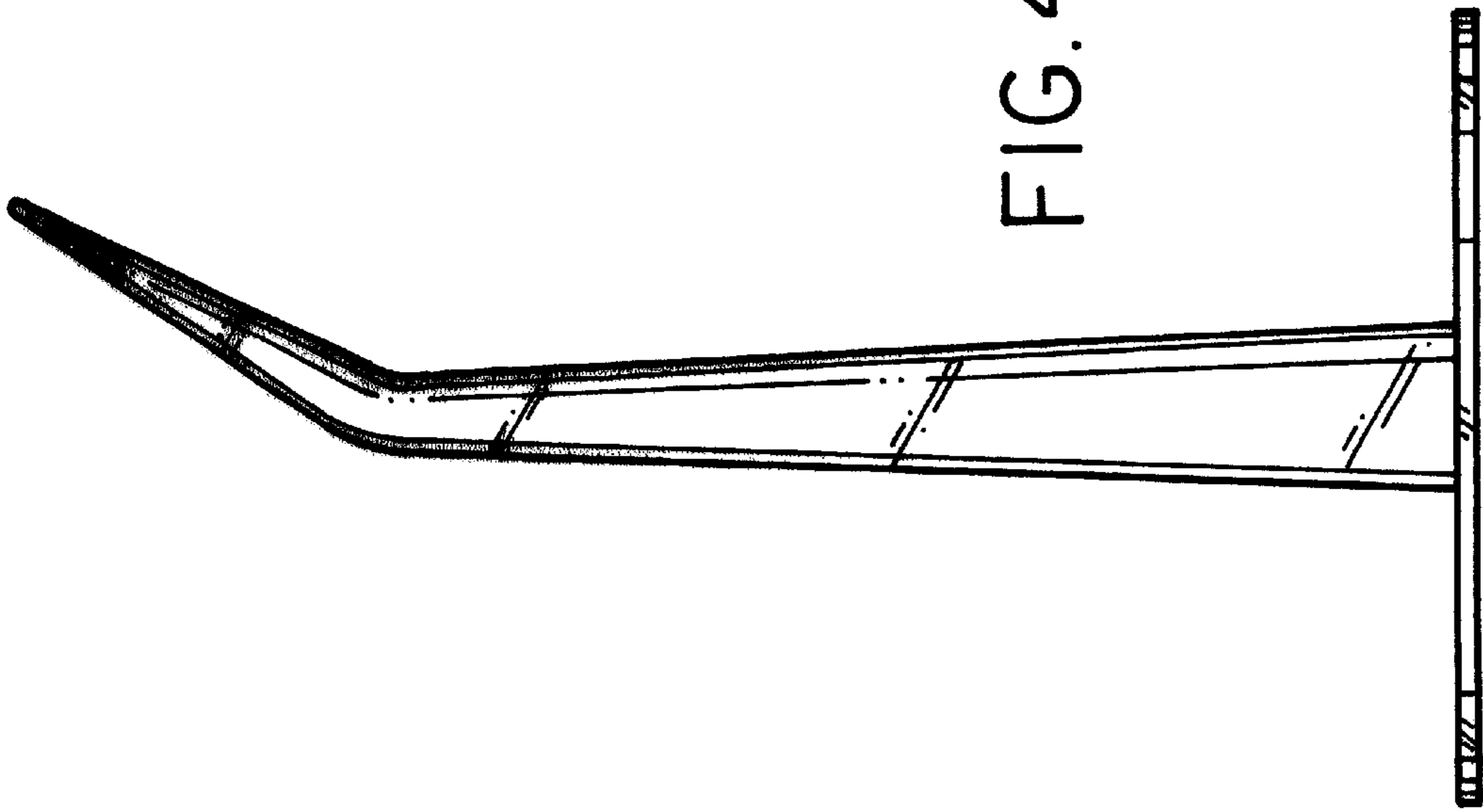


FIG. 4.

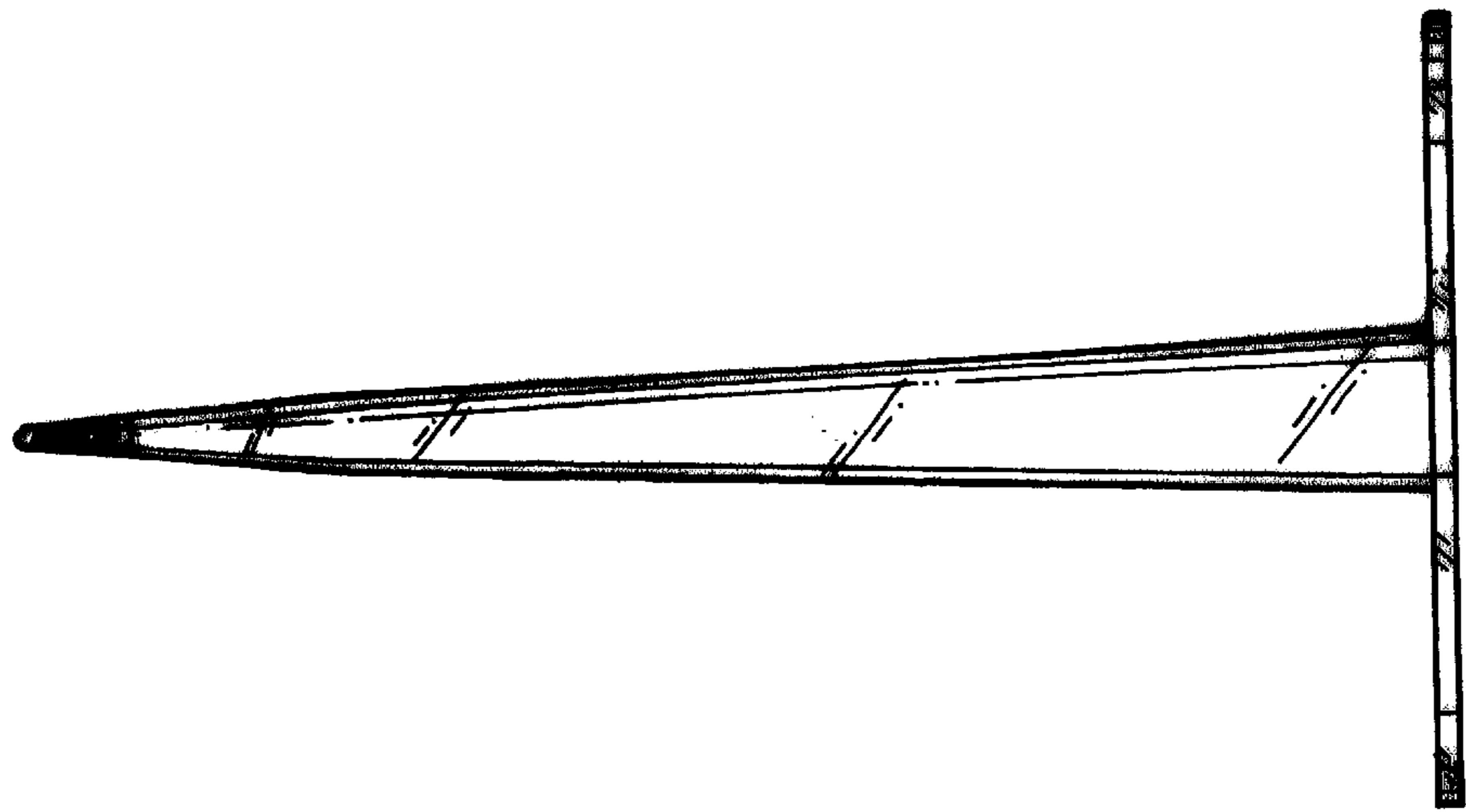


FIG. 3.

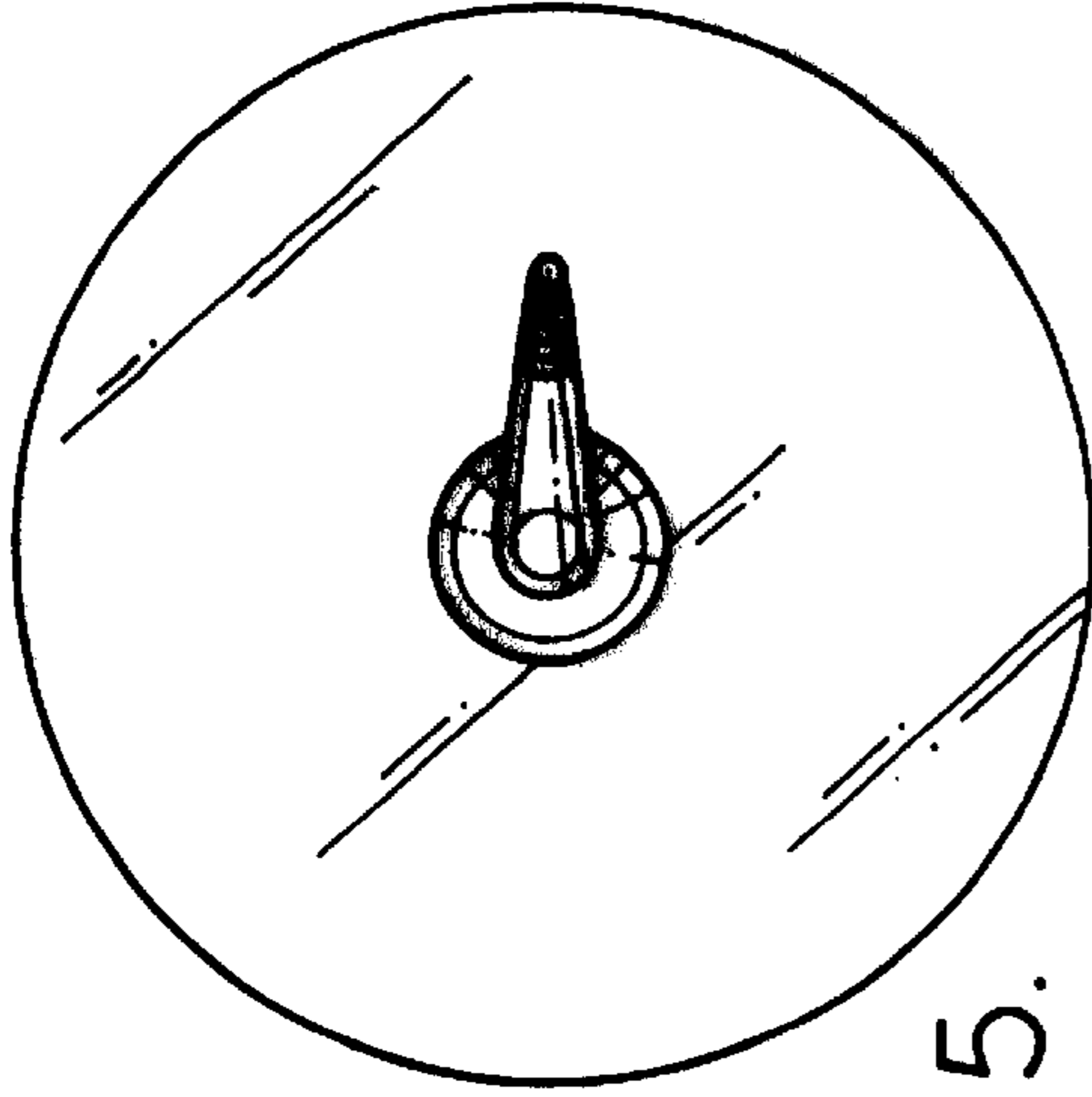


FIG. 5.

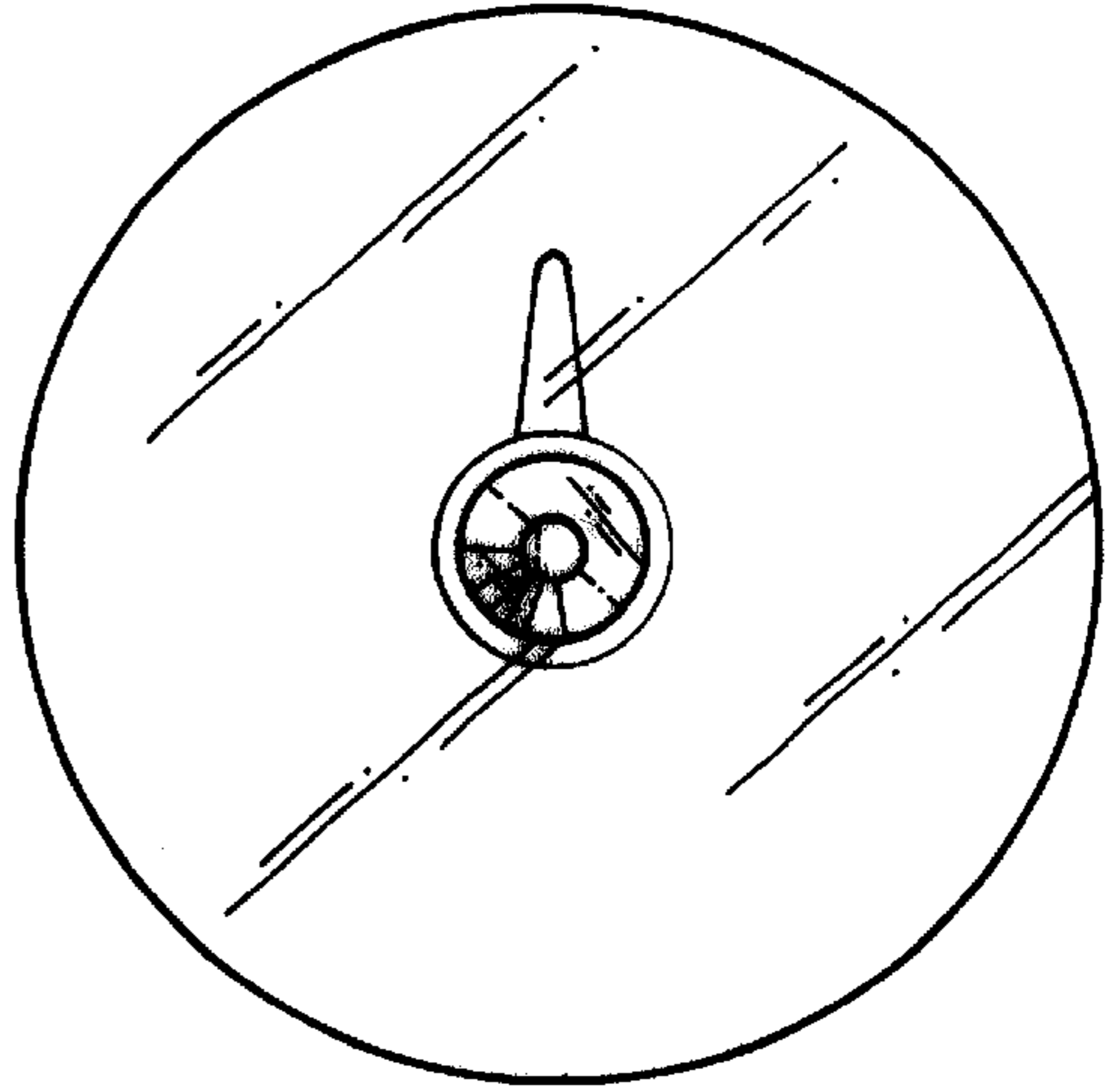


FIG. 6.