



US00D468600S

(12) **United States Design Patent**
Evans

(10) **Patent No.: US D468,600 S**

(45) **Date of Patent: ** *Jan. 14, 2003**

(54) **HEDGE TRIMMER**

(75) Inventor: **D. Scott Evans**, Cockeysville, MD
(US)

(73) Assignee: **Black & Decker Inc.**, Newark, DE
(US)

(*) Notice: This patent is subject to a terminal disclaimer.

(**) Term: **14 Years**

(21) Appl. No.: **29/140,614**

(22) Filed: **Apr. 20, 2001**

(51) **LOC (7) Cl. 08-01**

(52) **U.S. Cl. D8/8**

(58) **Field of Search D8/1, 8, 9; 30/228,**
30/276, 382-3, 216

(56) **References Cited**

U.S. PATENT DOCUMENTS

D307,098 S	*	4/1990	Clivio	D8/8
D320,145 S		9/1991	Clivio	
D325,856 S		5/1992	Gierke	
D349,436 S		8/1994	Griffin et al.	
D351,096 S	*	10/1994	Gierke	D8/8
D354,891 S	*	1/1995	McJunkin et al.	D8/8
D364,541 S	*	11/1995	McJunkin et al.	D8/8
D365,256 S		12/1995	Griffin et al.	
5,531,027 A		7/1996	Martinez et al.	
D372,407 S		8/1996	Haneda et al.	
D374,381 S		10/1996	Meisner et al.	
D376,740 S	*	12/1996	Gildersleeve	D8/8

D382,451 S	*	8/1997	Kikuchi	D8/8
D388,291 S		12/1997	Gildersleeve	
5,697,258 A		12/1997	Aiyama	
D397,590 S		9/1998	Meloni et al.	
5,806,191 A		9/1998	Yokoyama et al.	
5,926,960 A	*	7/1999	Heywood et al.	30/228
D420,267 S		2/2000	Robson	
D434,620 S		12/2000	Martin	

OTHER PUBLICATIONS

Black and Decker catalog 1991-1991; item #8144 deluxe hedge trimmer.*

* cited by examiner

Primary Examiner—Robin V. Taylor

(74) *Attorney, Agent, or Firm*—Ajay K. Gambhir

(57) **CLAIM**

The ornamental design for a hedge trimmer, as shown and described.

DESCRIPTION

FIG. 1 is a perspective view of the hedge trimmer taken from the front and one side;

FIG. 2 is a side elevational view thereof taken from the side shown in FIG. 1;

FIG. 3 is a side elevational view thereof taken from the side opposite that illustrated in FIG. 2;

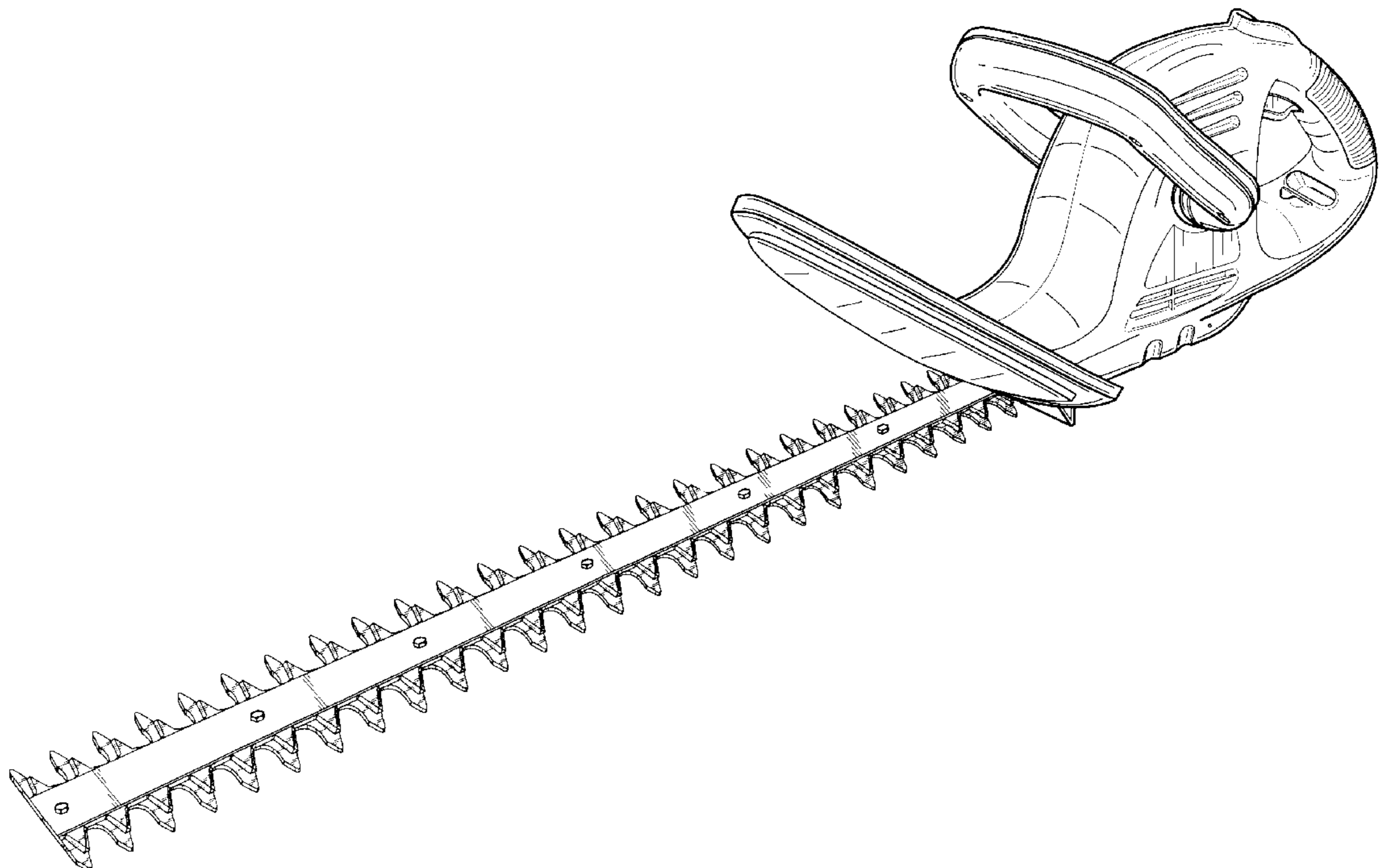
FIG. 4 is a top view thereof;

FIG. 5 is a bottom view thereof;

FIG. 6 is a front elevational view thereof; and,

FIG. 7 is a rear elevational view thereof.

1 Claim, 6 Drawing Sheets



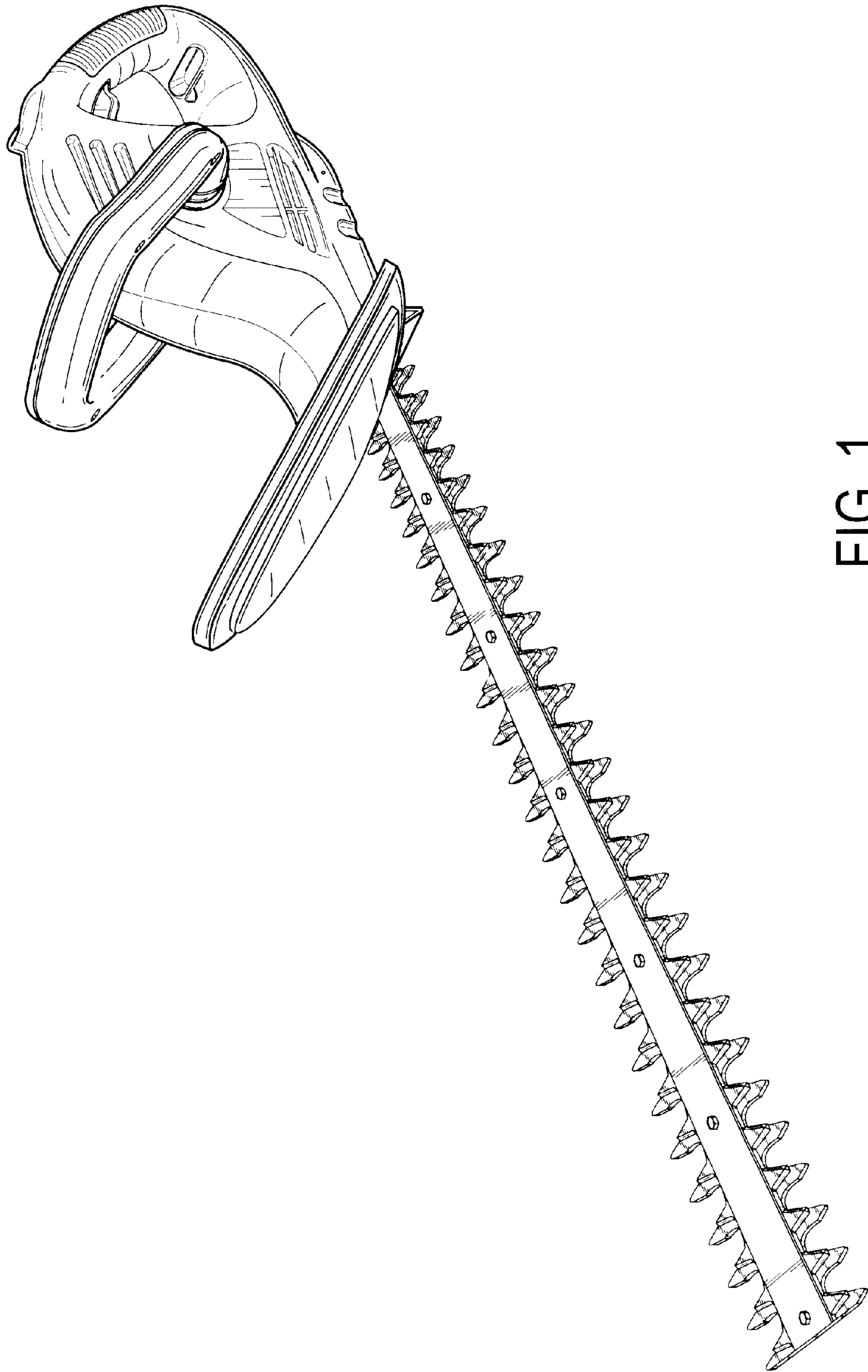


FIG. 1

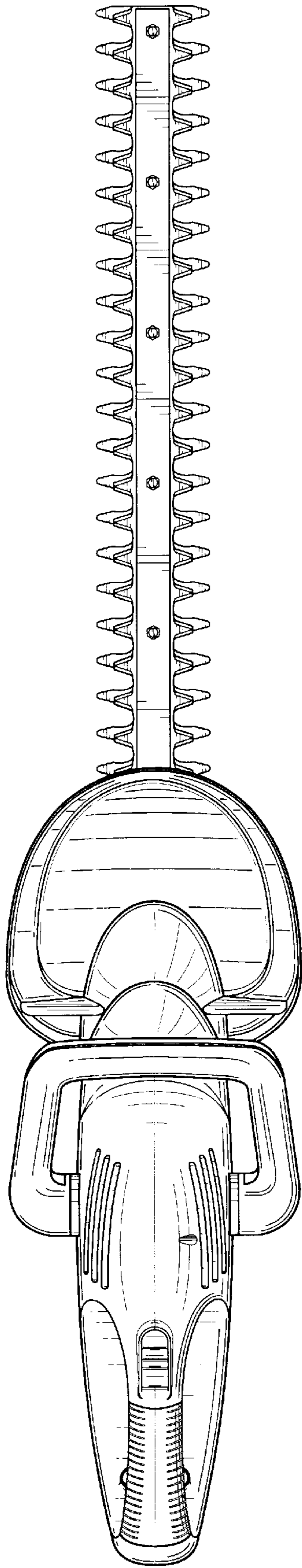


FIG. 2

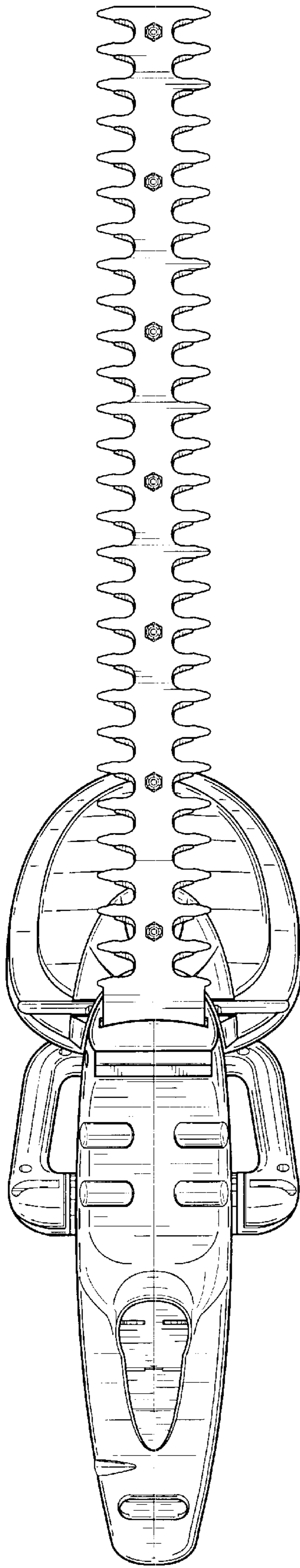


FIG. 3

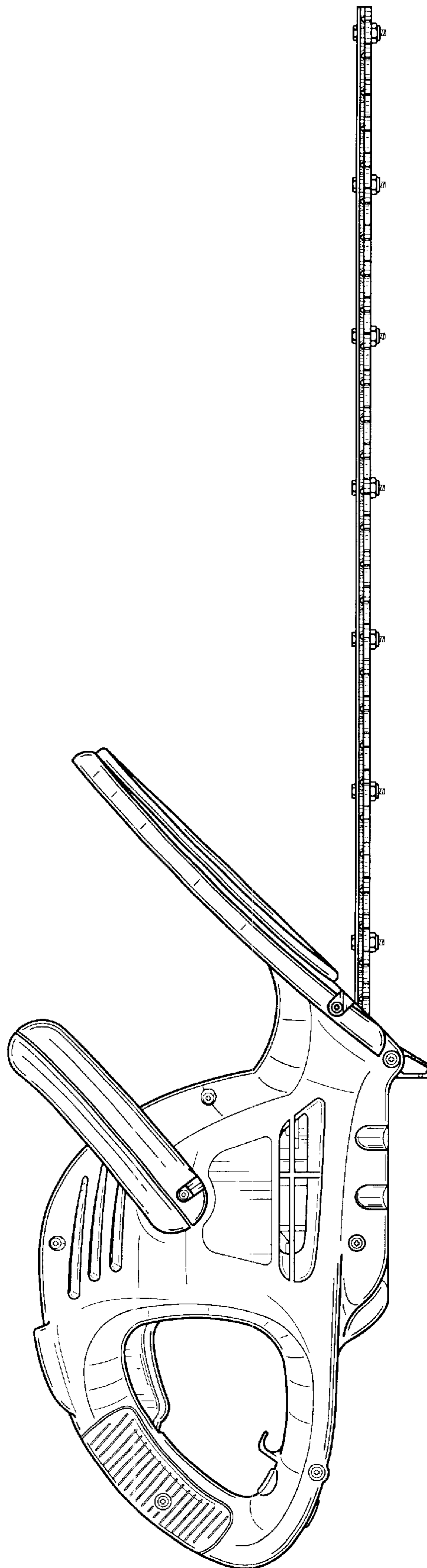


FIG. 4

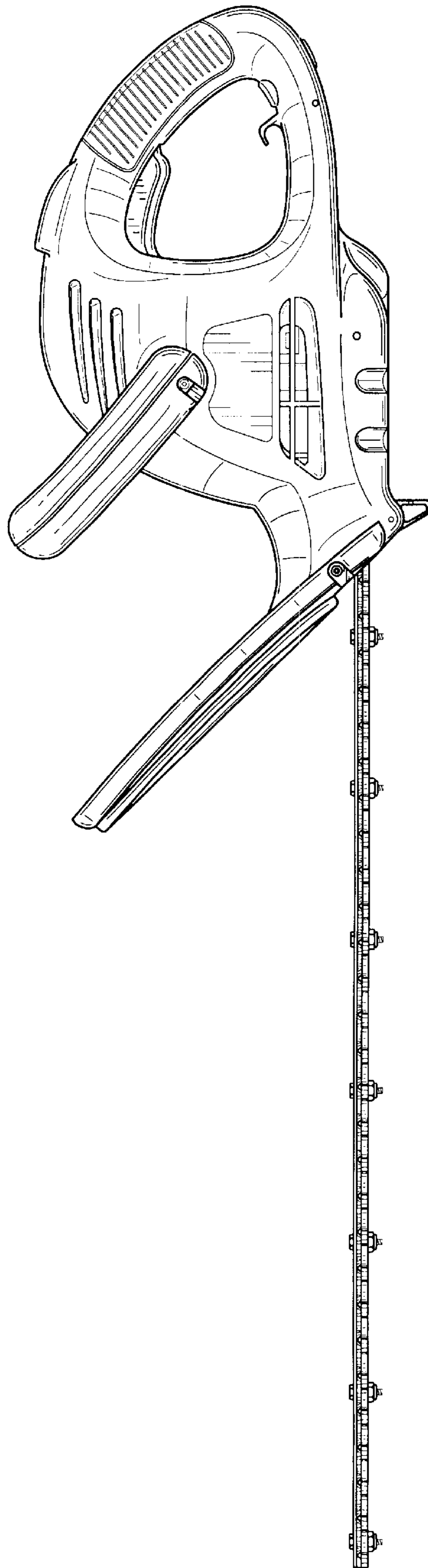


FIG. 5

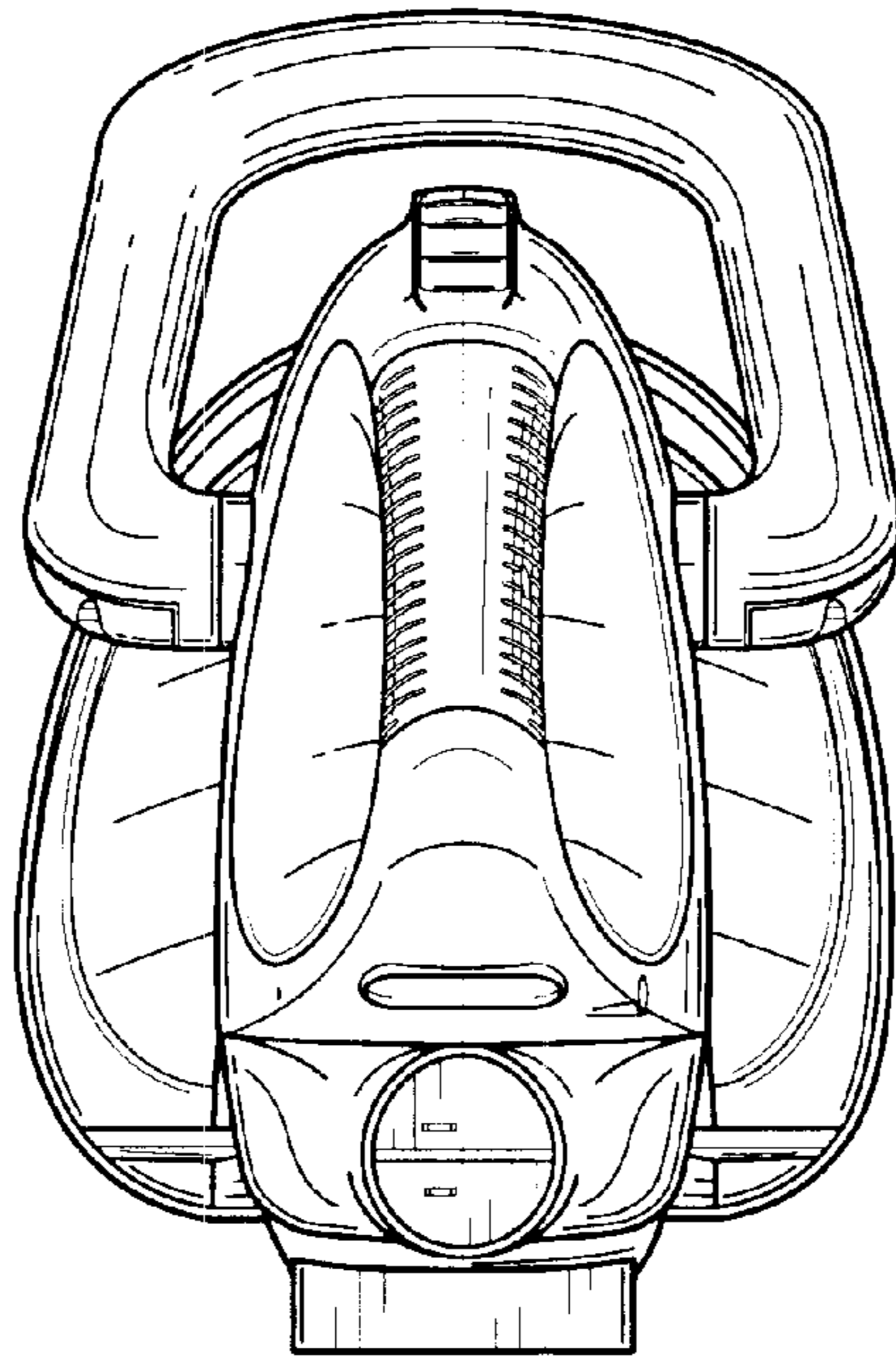


FIG. 6

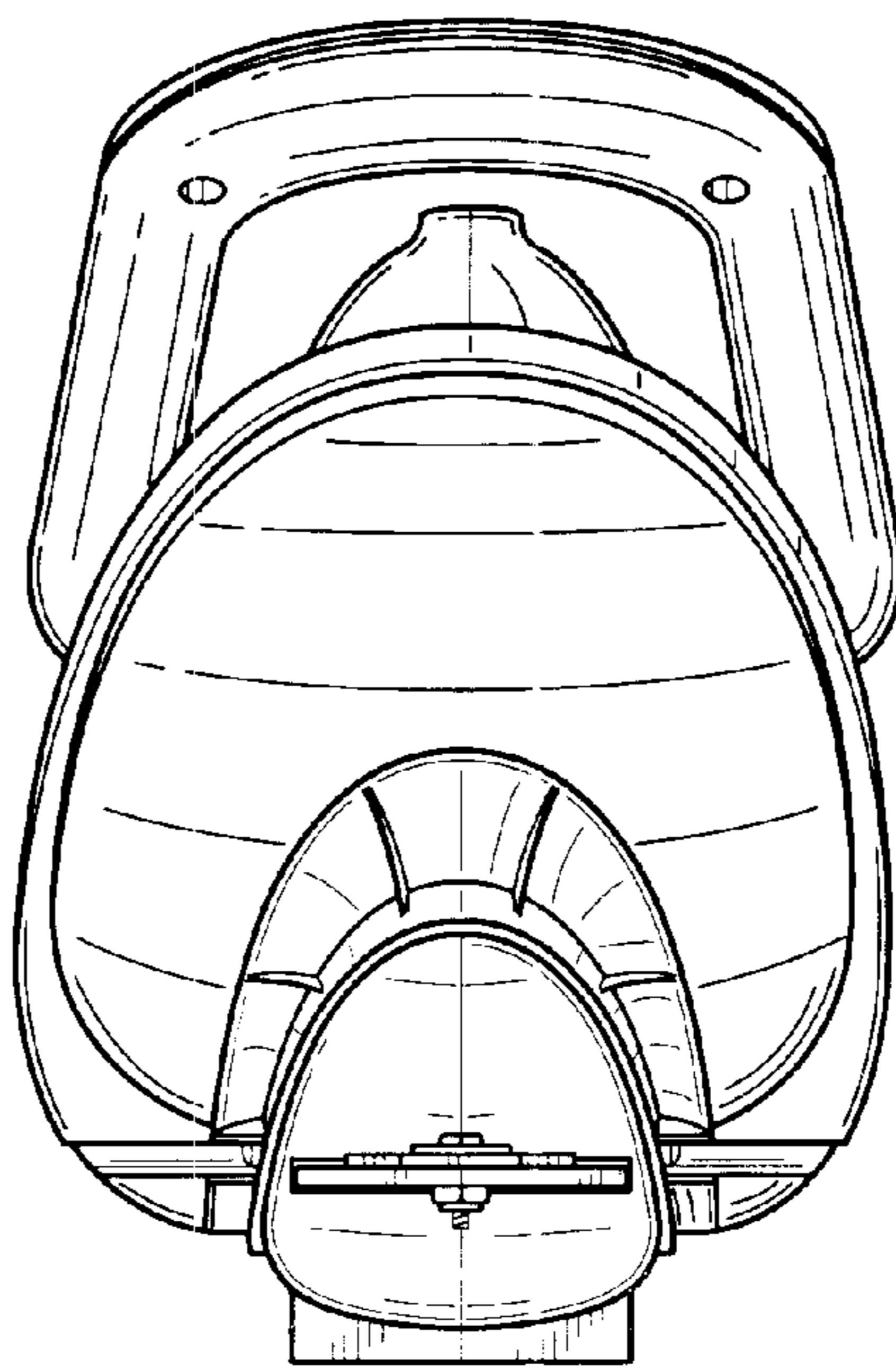


FIG. 7