



US00D468591S

(12) **United States Design Patent**
Lillelund et al.

(10) **Patent No.:** **US D468,591 S**

(45) **Date of Patent:** **** Jan. 14, 2003**

(54) **CLAMPING DISPLAY RACK**

(75) Inventors: **Stig Lillelund**, Gentofte (DK); **Jakob Heiberg**, Charlottenlund (DK); **Ian Tomas Benzon**, Copenhagen (DK); **Robert H. C. M. Daenen**, Aalst (BE)

(73) Assignee: **Dart Industries Inc.**, Orlando, FL (US)

(**) Term: **14 Years**

(21) Appl. No.: **29/142,317**

(22) Filed: **May 23, 2001**

(51) **LOC (7) Cl.** **07-06**

(52) **U.S. Cl.** **D7/590; D7/701**

(58) **Field of Search** D7/590, 701, 707, D7/708; D6/513, 514, 553, 567, 569; 211/13.1, 70.6, 70.7, 74, 75, 86.01, 87.01; 248/309.1, 311.2, 88.01

(56) **References Cited**

U.S. PATENT DOCUMENTS

- 2,028,694 A * 1/1936 Spinks 211/75 X
- D261,891 S 11/1981 Thompson
- 4,378,889 A 4/1983 Lebowtiz
- D278,585 S * 4/1985 Oldham D7/707 X

- 4,583,647 A * 4/1986 Schinzing 211/70.6 X
- D290,573 S 6/1987 Drummond
- D291,637 S * 9/1987 Burin D7/708 X
- 4,984,693 A * 1/1991 Belokin, Jr. et al. 211/88.01
- 5,396,997 A 3/1995 Johnson
- 5,687,856 A 11/1997 Kendrena 211/70.6
- D396,783 S 8/1998 Lee D7/701

* cited by examiner

Primary Examiner—Terry A. Wallace

(74) *Attorney, Agent, or Firm*—Taylor J. Ross

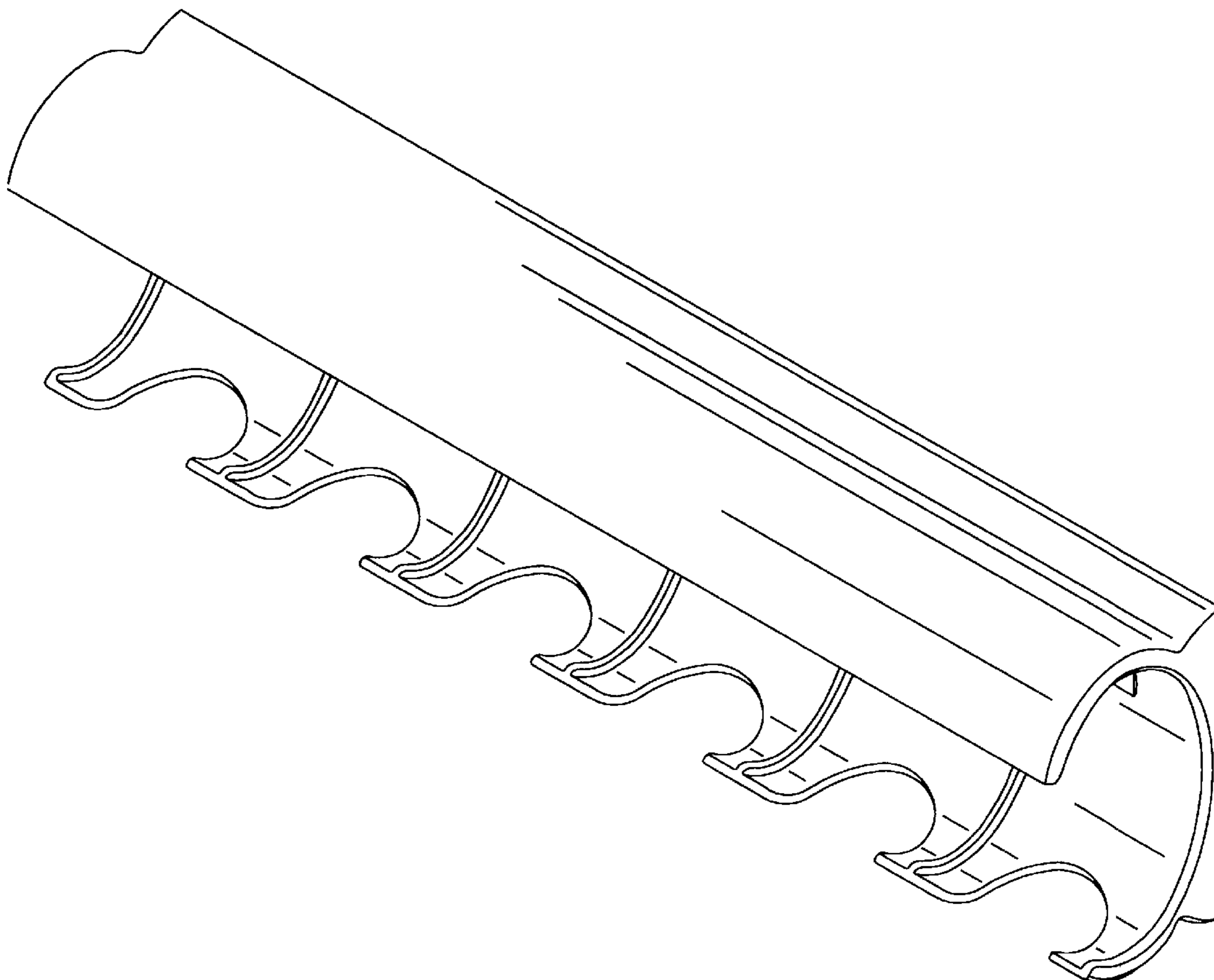
(57) **CLAIM**

The ornamental design for a clamping display rack, as shown and described.

DESCRIPTION

FIG. 1 is a top, side and front perspective view of a clamping display rack showing the new design;
 FIG. 2 is a bottom side and rear perspective view thereof;
 FIG. 3 is a front elevation view thereof;
 FIG. 4 is a rear side elevation view thereof;
 FIG. 5 is a left side elevation view thereof;
 FIG. 6 is a right side elevation view thereof; and
 FIG. 7 is a top plan view thereof; and,
 FIG. 8 is a bottom plan view thereof.

1 Claim, 3 Drawing Sheets



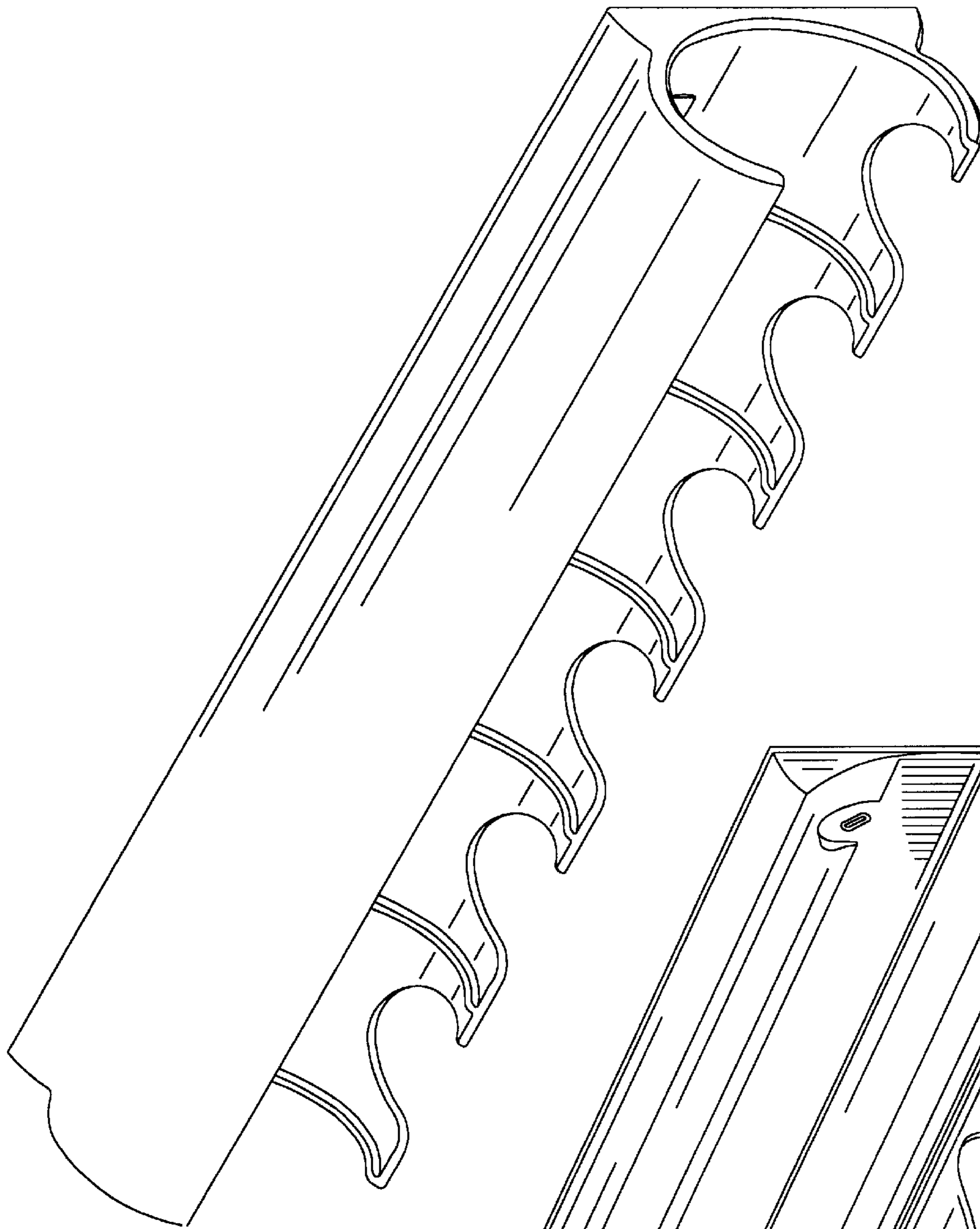


FIG. 1

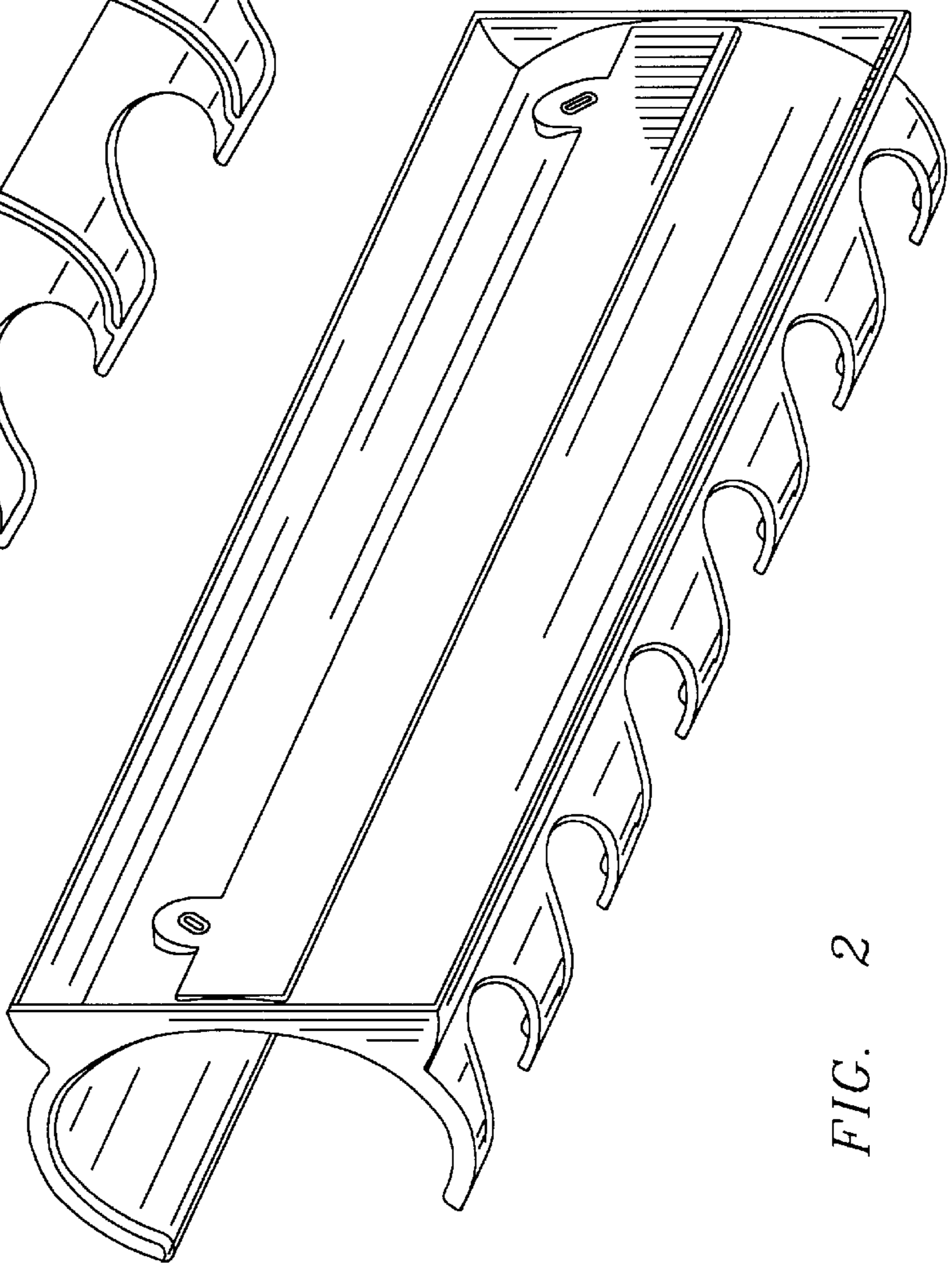


FIG. 2

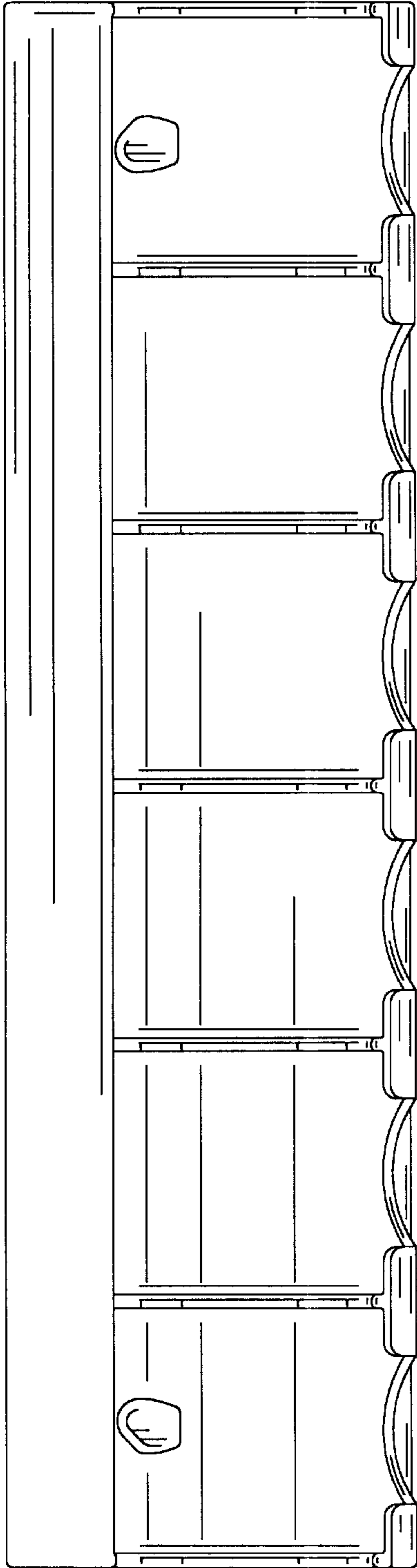


FIG. 3

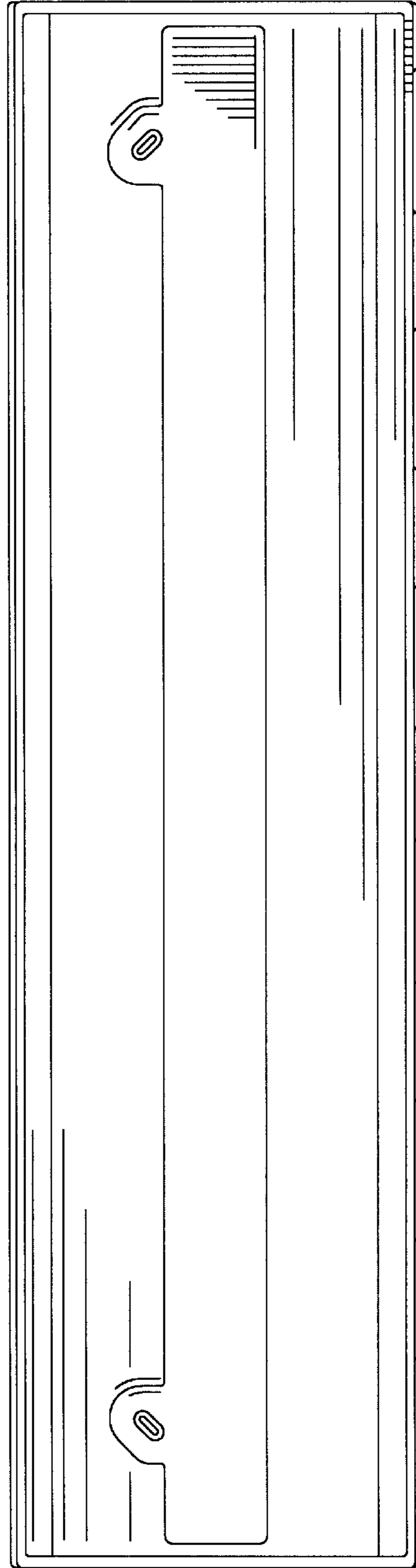


FIG. 4

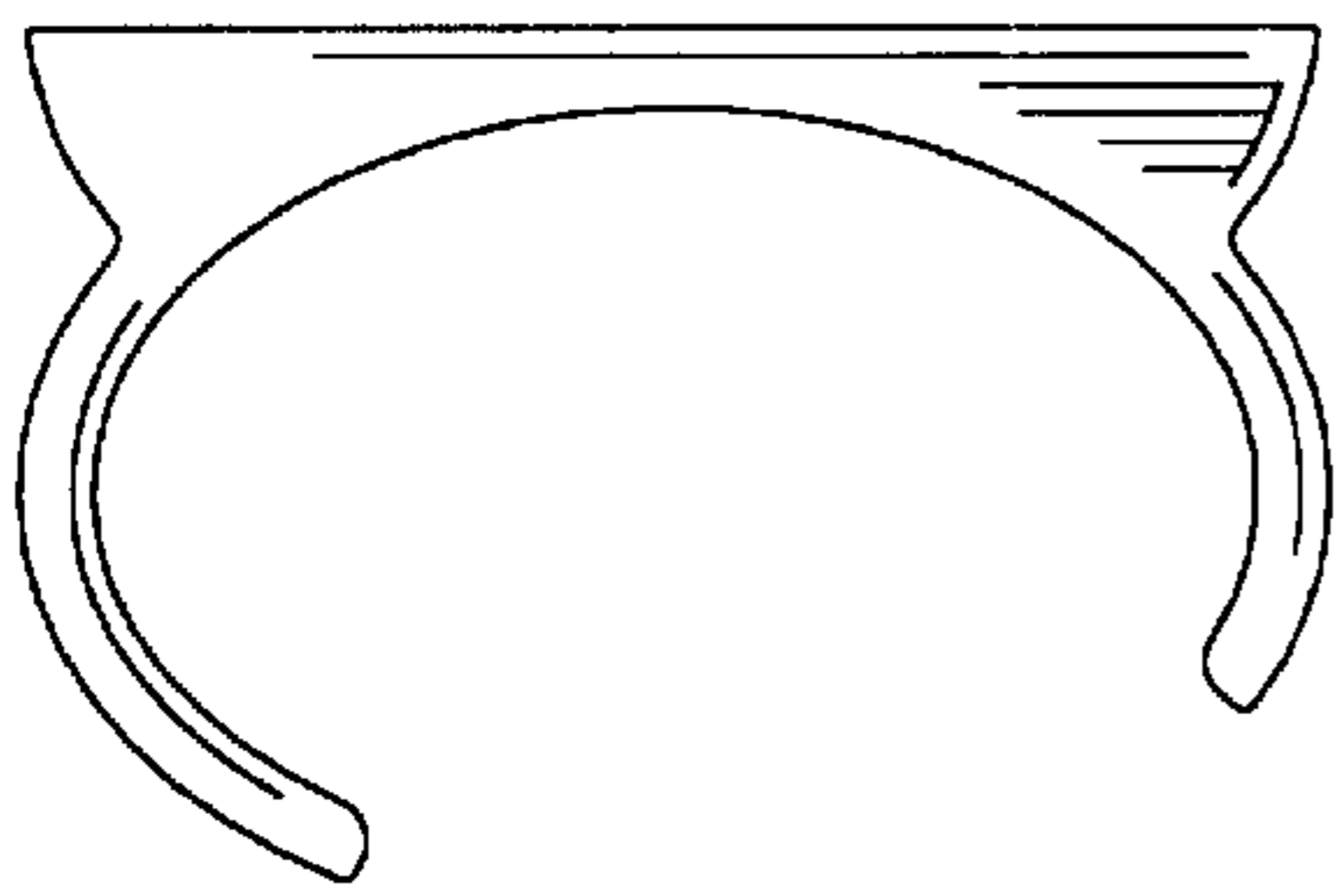


FIG. 5

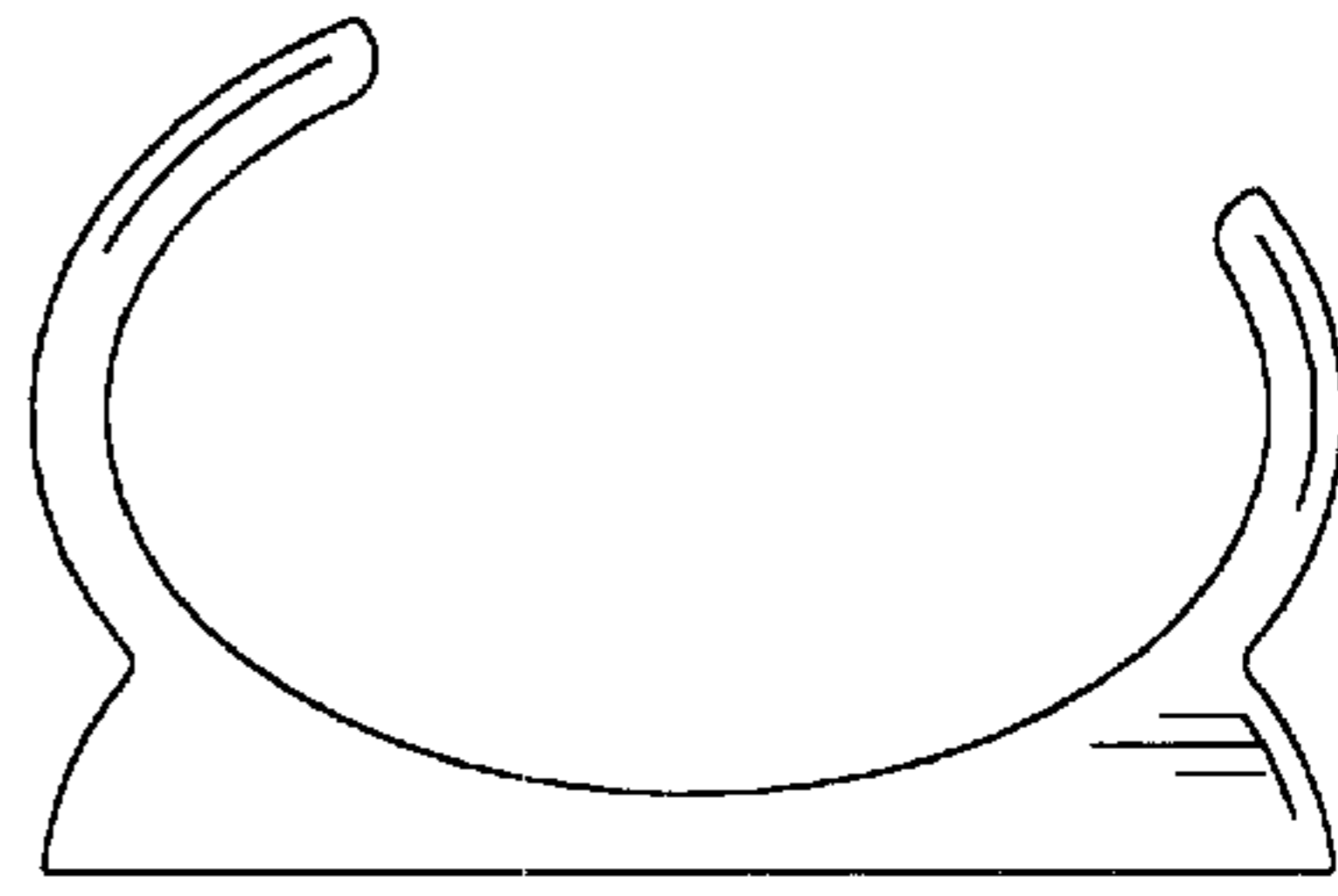


FIG. 6

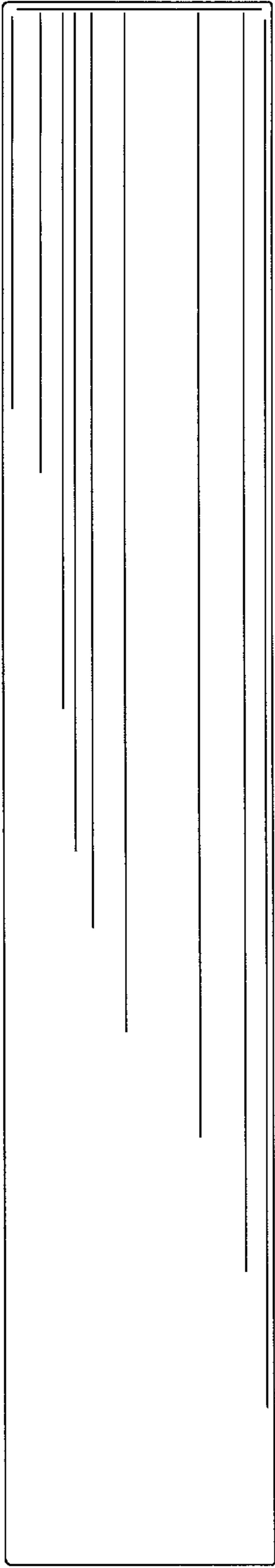


FIG. 7

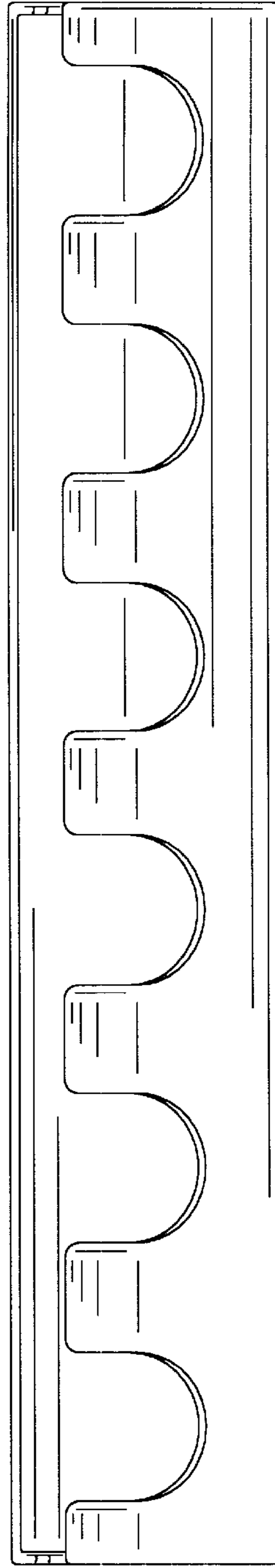


FIG. 8