



US00D468590S

(12) **United States Design Patent**
Jalet et al.

(10) **Patent No.: US D468,590 S**

(45) **Date of Patent: ** Jan. 14, 2003**

(54) **SERVING BOWL**

(75) Inventors: **Vincent Jalet**, Brussels (BE); **Robert H. C. M. Daenen**, Aalst (BE); **Victor J. J. Cautereels**, Ranst (BE)

(73) Assignee: **Dart Industries, Inc.**, Orlando, FL (US)

(**) Term: **14 Years**

(21) Appl. No.: **29/155,380**

(22) Filed: **Feb. 7, 2002**

(51) **LOC (7) Cl.** **07-01**

(52) **U.S. Cl.** **D7/586; D7/584**

(58) **Field of Search** D7/560, 584, 586,
D7/587, 555, 523, 558; 220/574, 575, 592.2,
23.87; 209/447

D407,270 S 3/1999 Wilson D7/529
5,913,445 A * 6/1999 Fujii et al. 220/574
6,010,027 A * 1/2000 Fujii et al. 220/592.2
D442,831 S * 5/2001 Jacobs D7/584
6,401,955 B1 * 6/2002 Yang 220/23.87

OTHER PUBLICATIONS

Rubbermaid, Professional Food Containers, Bowls, Serving Bowls and Dip Bowl, 2000, 2 pages.

Guzzini, Collection—Bild und Material, Schale and Schüssel, 2001, 5 pages.

* cited by examiner

Primary Examiner—M. N. Pandozzi

(74) *Attorney, Agent, or Firm*—John A. Doninger

(57) **CLAIM**

The ornamental design for a serving bowl, as shown and described.

(56) **References Cited**

U.S. PATENT DOCUMENTS

D168,283 S	*	12/1952	Adams	D7/555
2,655,016 A	*	10/1953	Hudson	220/575
2,771,755 A	*	9/1956	Costanzo	220/574
D231,303 S		4/1974	Croyle et al.		
3,855,119 A	*	12/1974	Stephenson	209/447
D242,200 S		11/1976	Ashton		
D283,096 S	*	3/1986	Uhrik	D7/555
D284,438 S	*	7/1986	Levien	D7/584
4,809,868 A		3/1989	Pomroy		
4,892,213 A		1/1990	Mason		
D309,690 S		8/1990	Carlson		
D324,974 S	*	3/1992	Unger	D7/523
5,172,826 A	*	12/1992	Celaya	220/574
D346,308 S		4/1994	Cautereels et al.		
D348,589 S	*	7/1994	Cautereels et al.	D7/558
5,341,953 A	*	8/1994	Forester	220/575
D353,518 S		12/1994	Cautereels et al.		
5,423,451 A	*	6/1995	Snyder	220/574

DESCRIPTION

FIG. 1 is a top, side and front perspective view of a serving bowl showing the new design;

FIG. 2 is a front elevation view thereof, the rear elevation being identical thereto;

FIG. 3 is a right side elevation view thereof, the left side elevation being identical thereto;

FIG. 4 is a top plan view thereof;

FIG. 5 is a bottom plan view thereof;

FIG. 6 is a top, side and front perspective view of a second embodiment showing the new design;

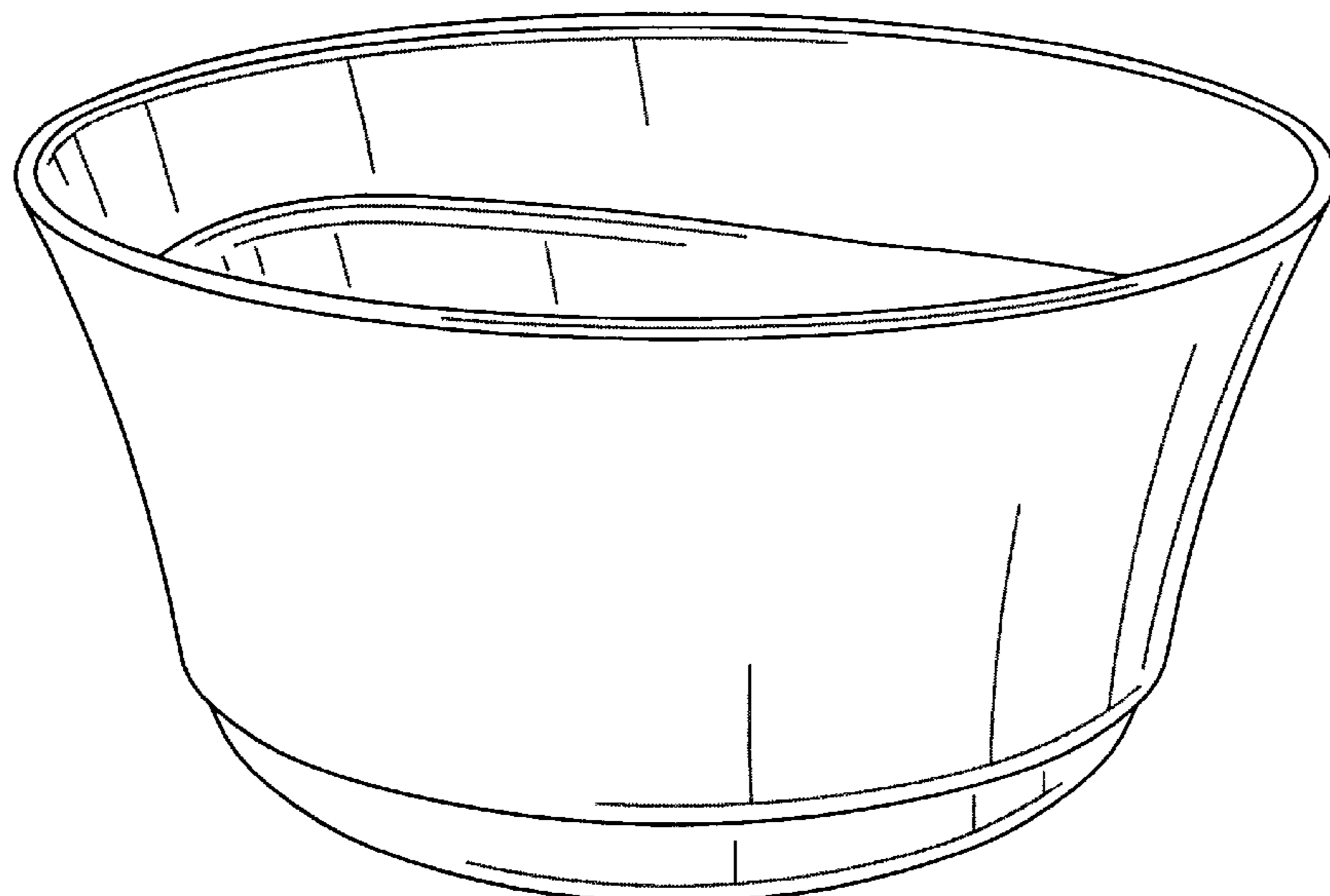
FIG. 7 is a front elevation view thereof, the rear elevation being identical thereto;

FIG. 8 is a right side elevation view thereof, the left side elevation being identical thereto;

FIG. 9 is a top plan view thereof; and,

FIG. 10 is a bottom plan view thereof.

1 Claim, 4 Drawing Sheets



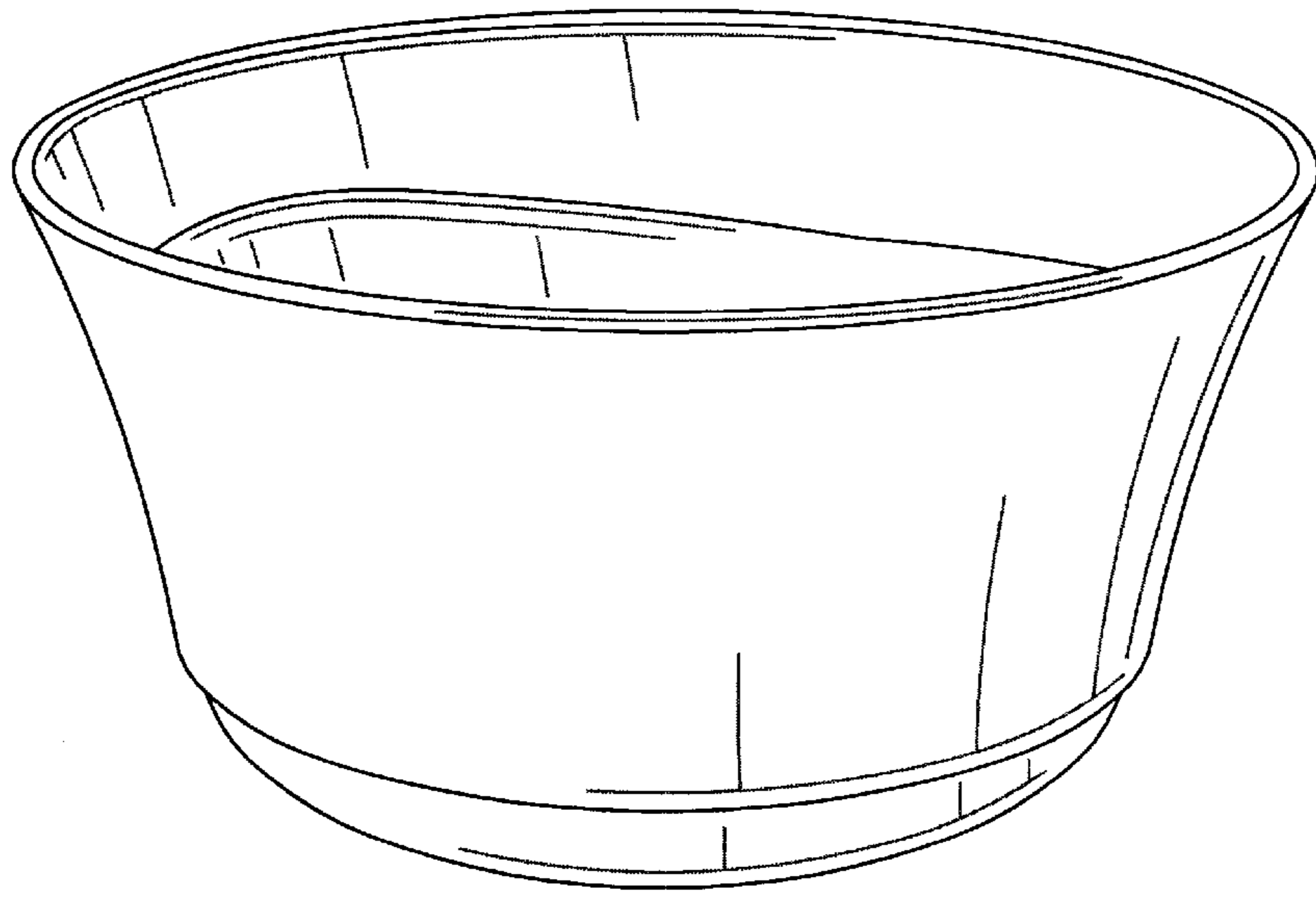


FIG. 1

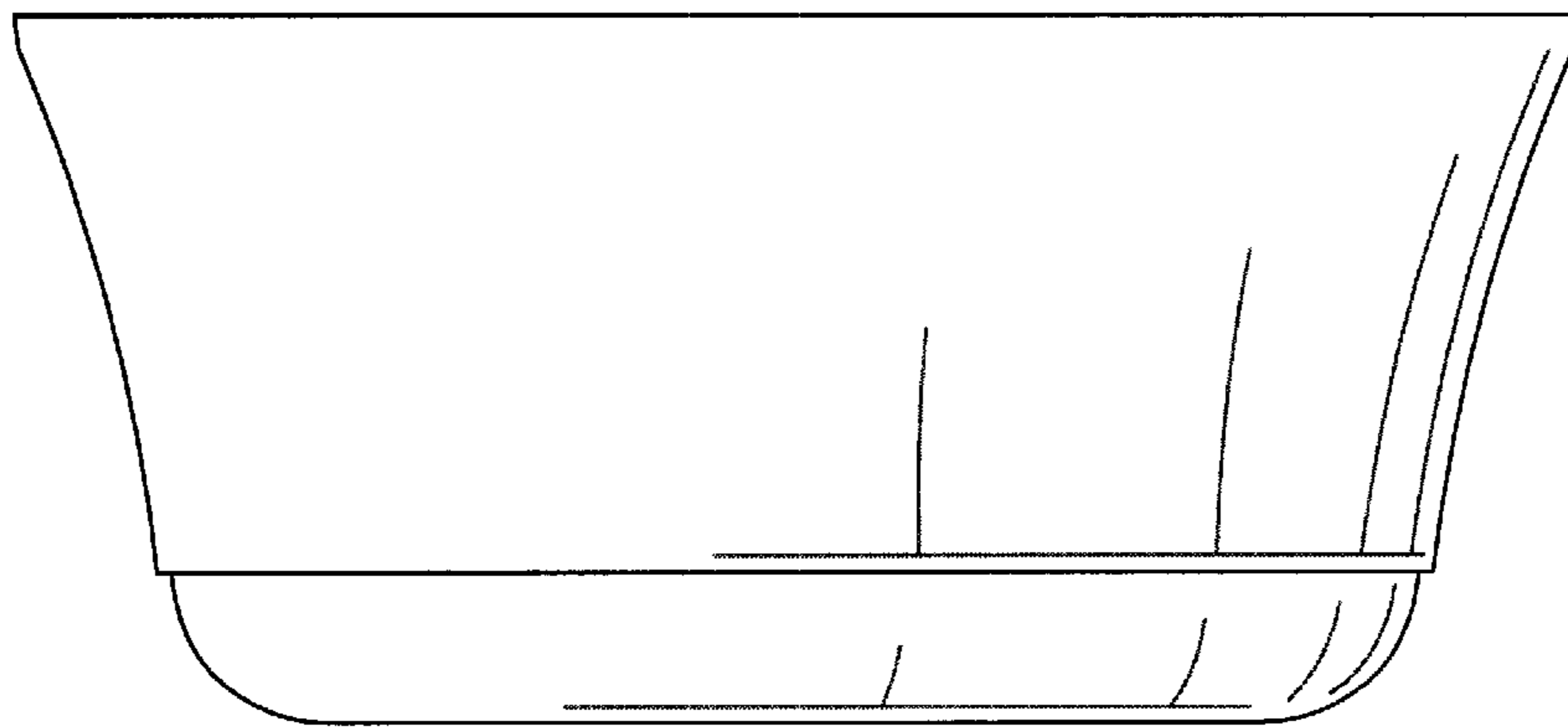


FIG. 2

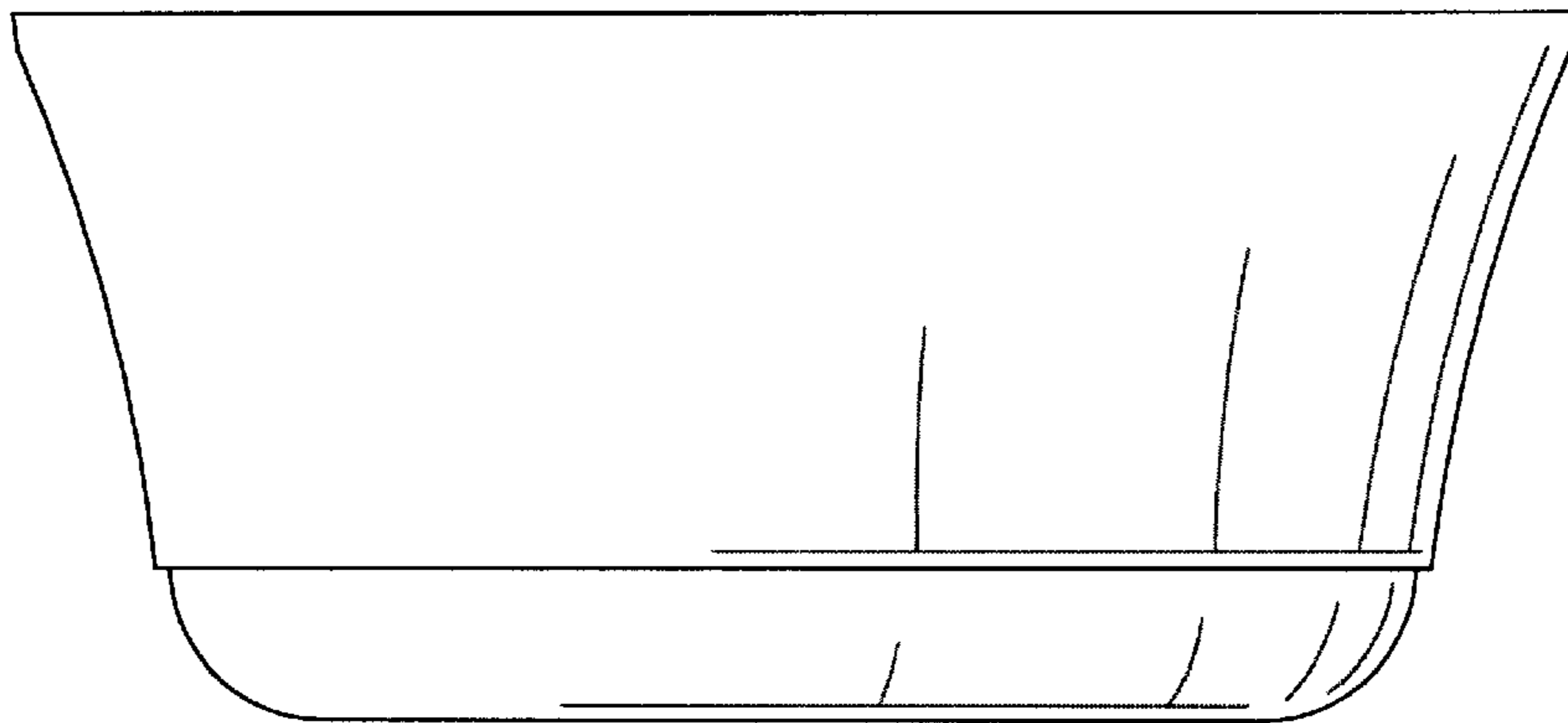


FIG. 3

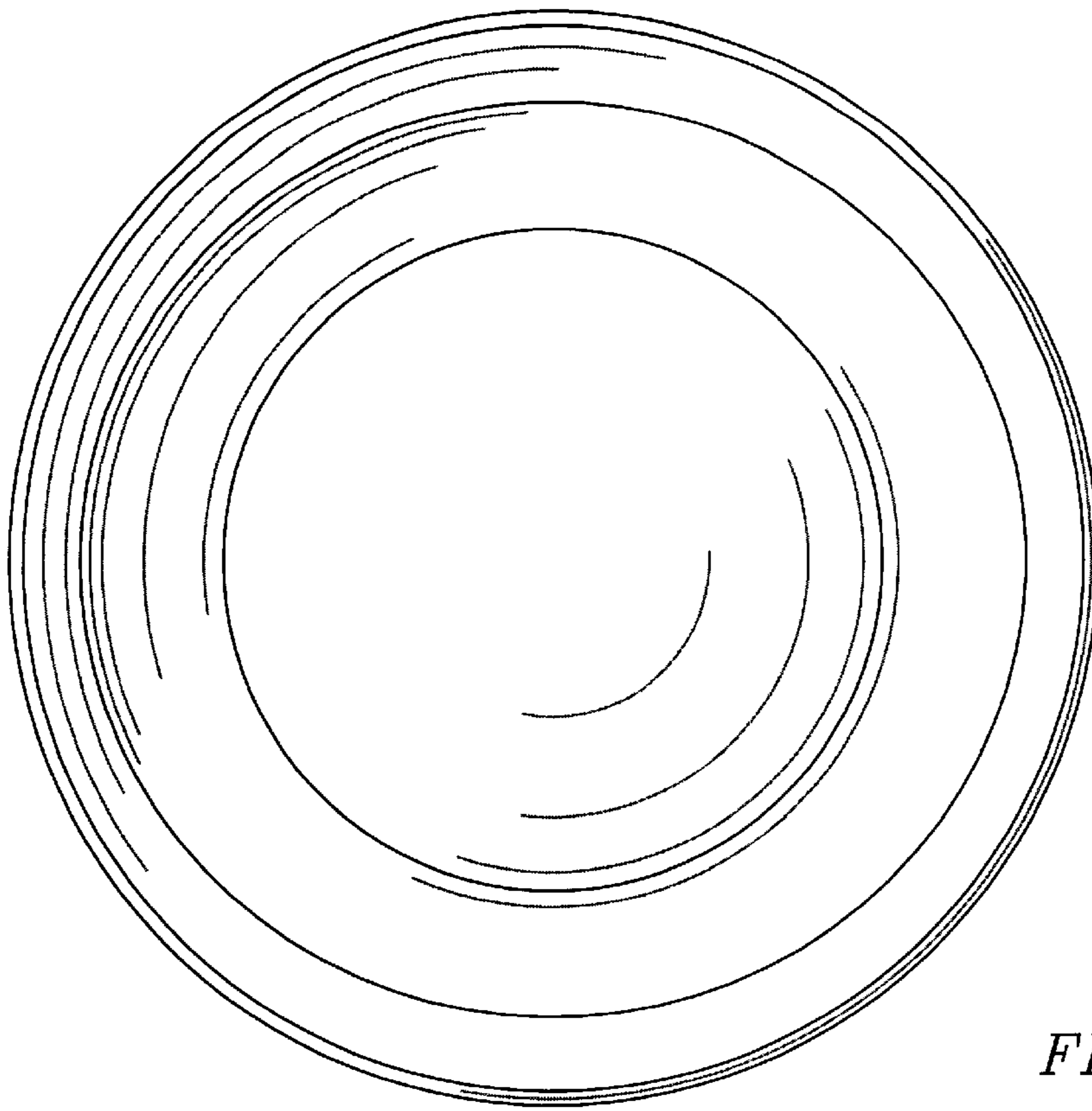


FIG. 4

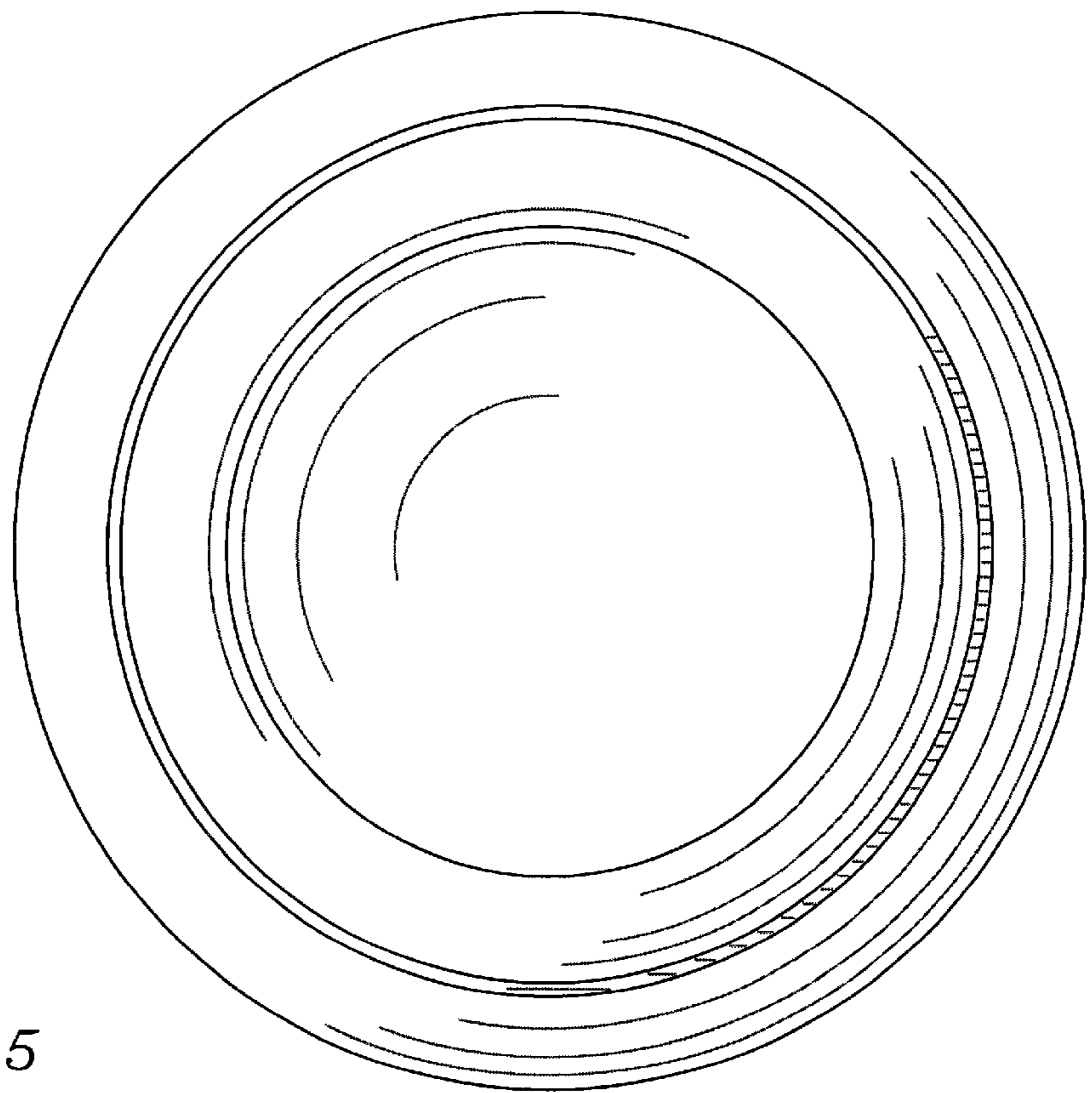


FIG. 5

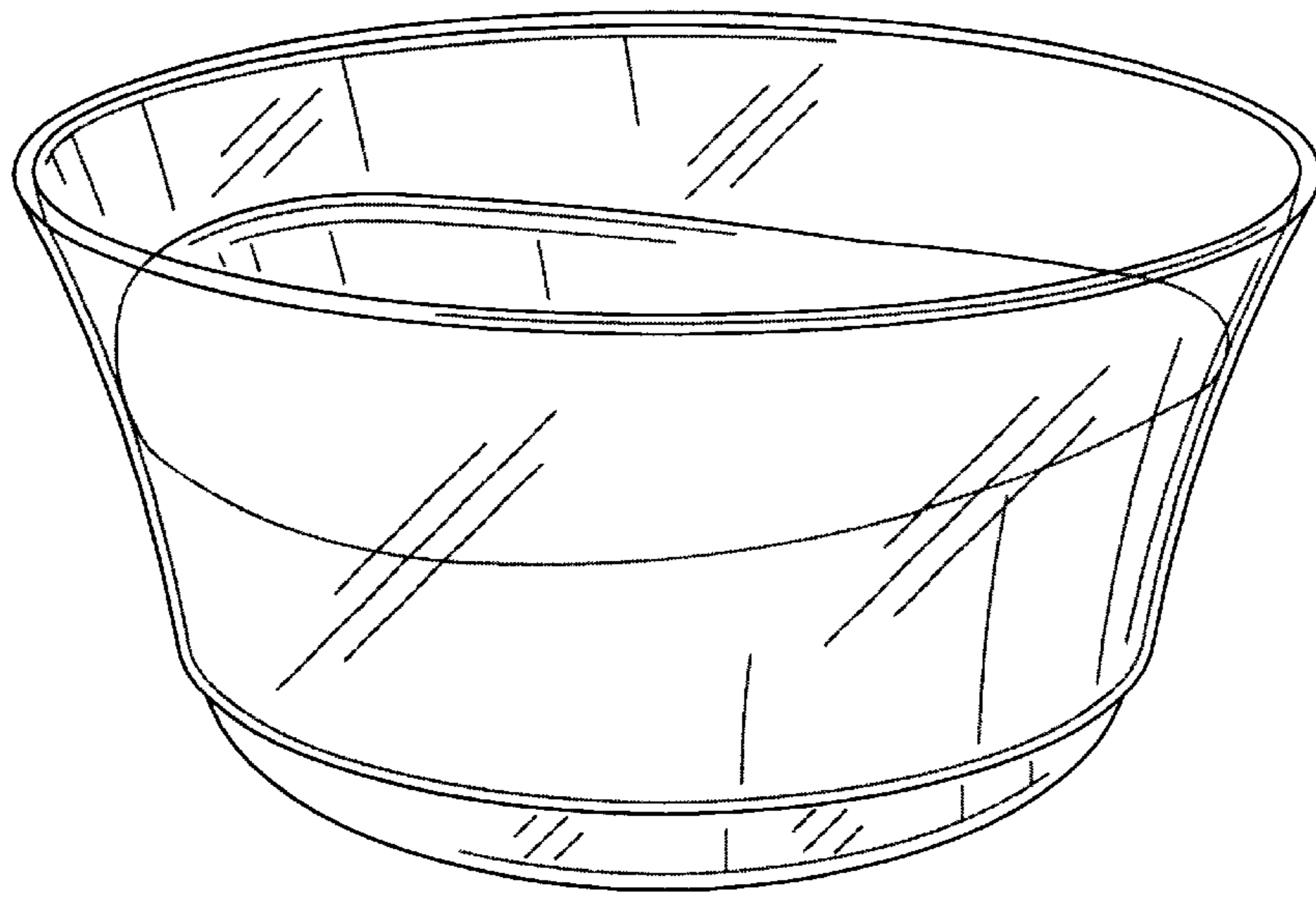


FIG. 6

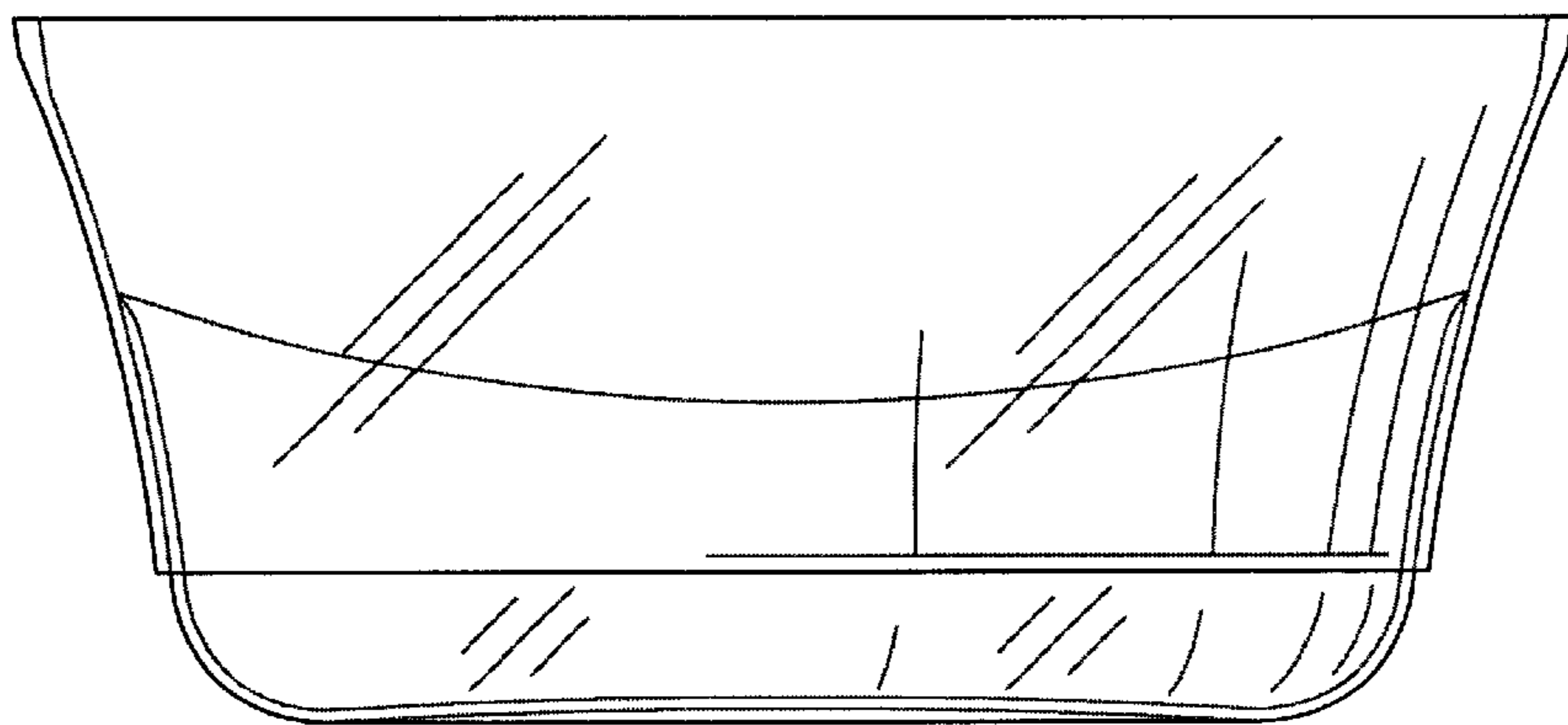


FIG. 7

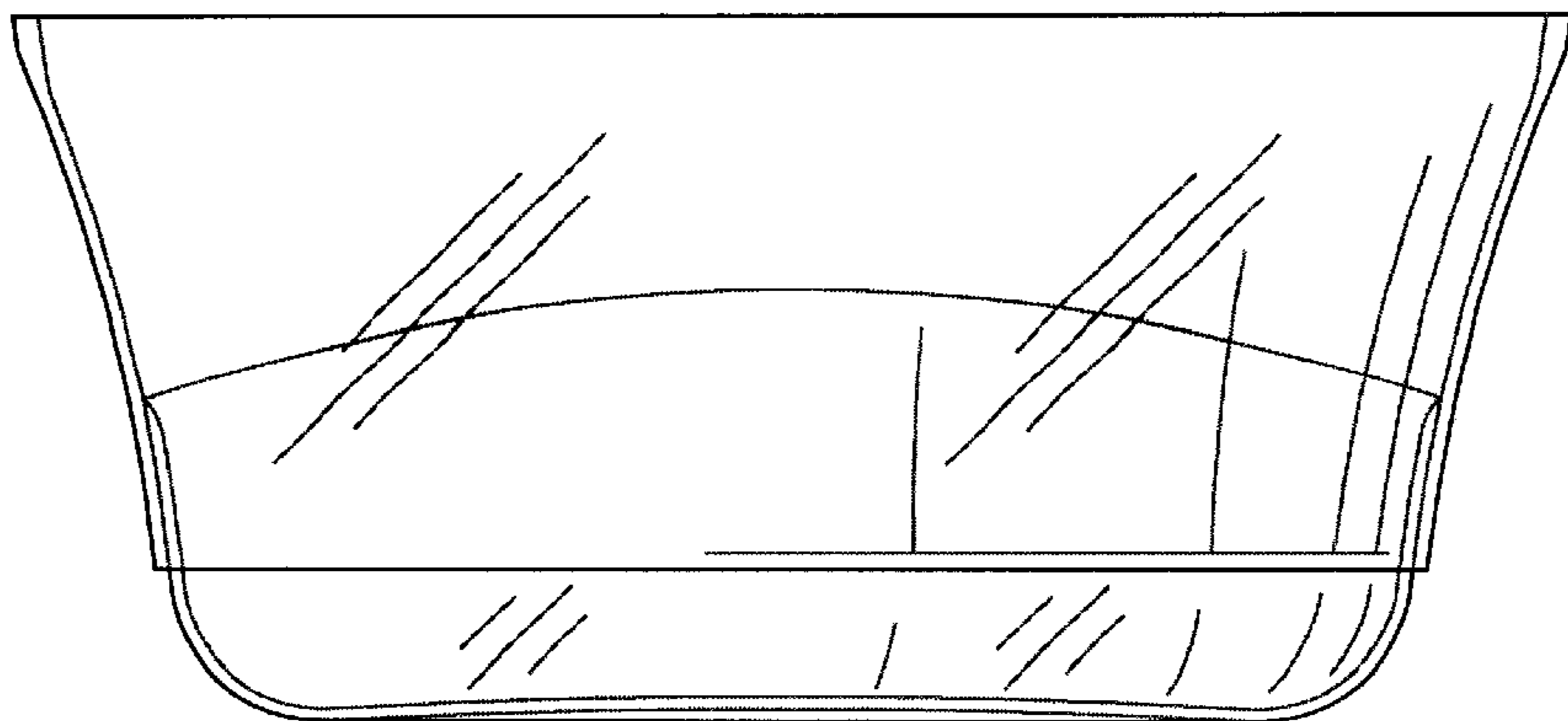


FIG. 8

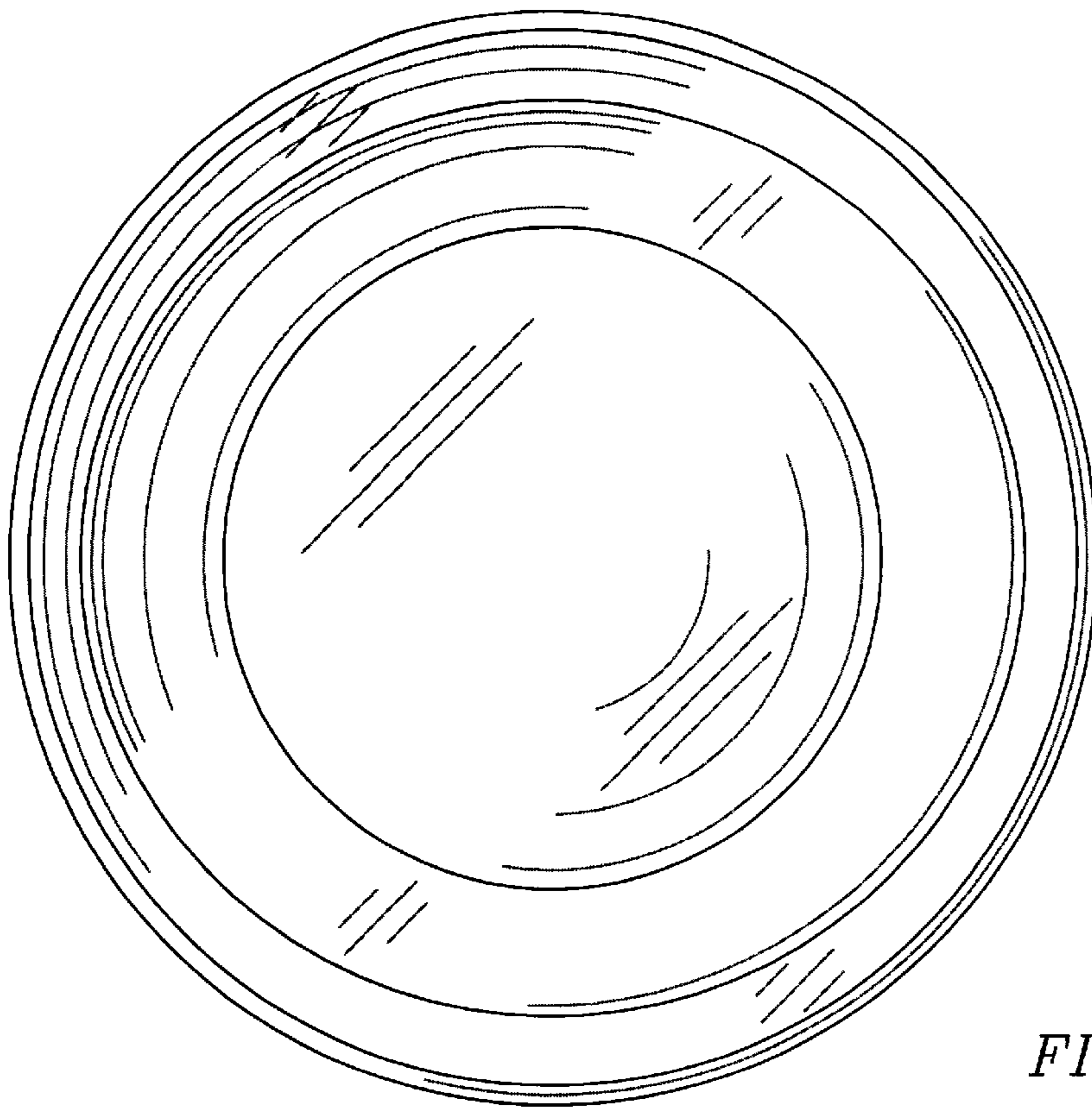


FIG. 9

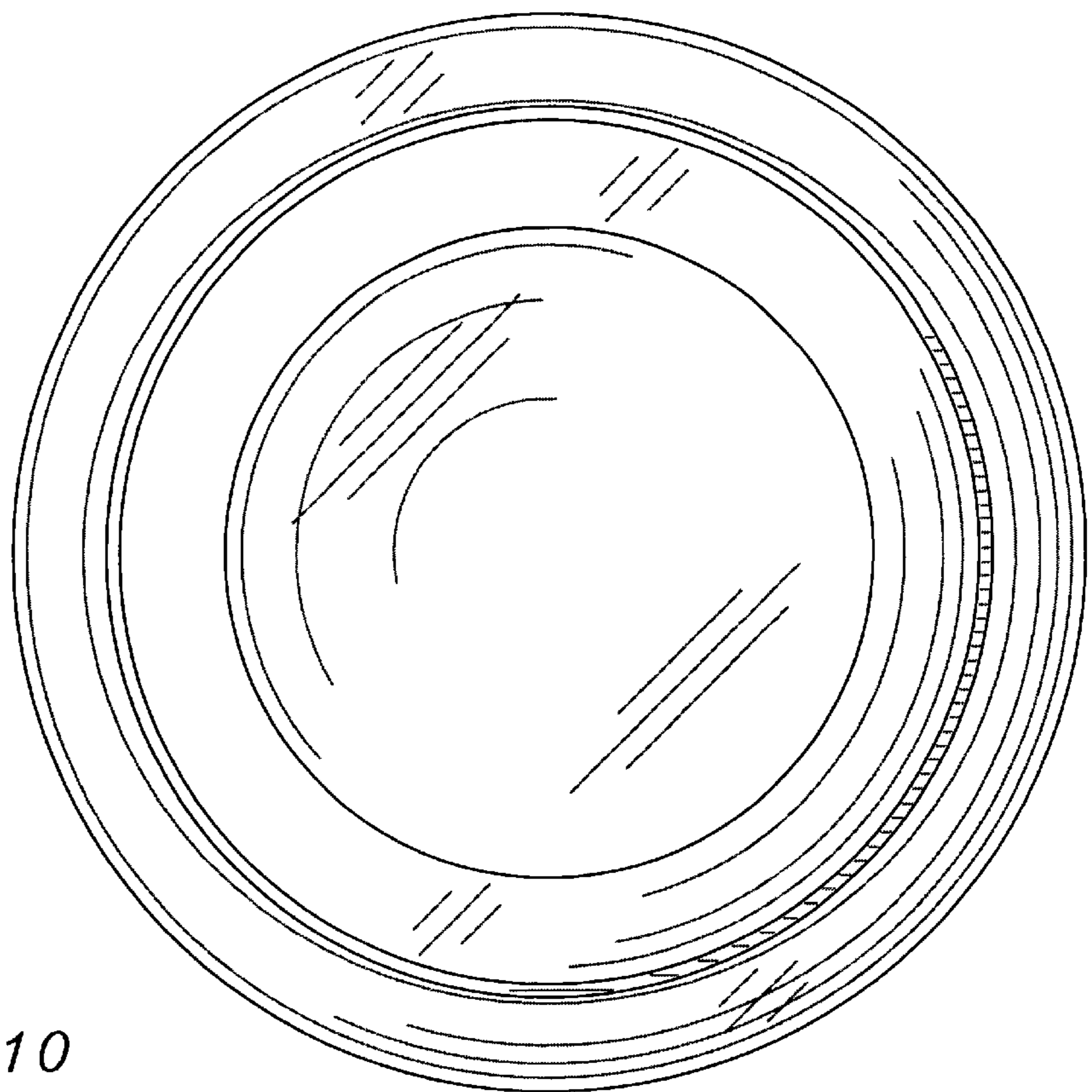


FIG. 10