



US00D468579S

(12) **United States Design Patent**
Sakai et al.

(10) **Patent No.:** **US D468,579 S**

(45) **Date of Patent:** **** Jan. 14, 2003**

(54) **MICROWAVE OVEN**

(75) Inventors: **Akihiko Sakai, Kyoto-fu (JP); Yasushi Fukuda, Osaka-fu (JP)**

(73) Assignee: **Sharp Kabushiki Kaisha, Osaka (JP)**

(**) Term: **14 Years**

(21) Appl. No.: **29/163,599**

(22) Filed: **Jul. 10, 2002**

(30) **Foreign Application Priority Data**

Jan. 11, 2002 (JP) 2002-000496

(51) **LOC (7) Cl.** **15-05**

(52) **U.S. Cl.** **D7/351**

(58) **Field of Search** D7/350.1, 350.3,
D7/350.4, 351, 402; 219/678, 756-758;
126/273 R, 275 R, 275 E, 19 M, 21 R

(56) **References Cited**

U.S. PATENT DOCUMENTS

- D248,008 S * 5/1978 Wojtowicz et al. D7/351
- D275,545 S * 9/1984 Kenichi et al. D7/351
- D310,616 S * 9/1990 Murai et al. D7/351
- D329,353 S 9/1992 Yamada
- D329,569 S * 9/1992 Ichihara et al. D7/351
- D330,144 S * 10/1992 Takebata et al. D7/351
- D334,688 S 4/1993 Kitae et al.
- D335,064 S 4/1993 Sugiyama et al.
- D352,636 S 11/1994 Nakamura
- D353,510 S 12/1994 Nakamura
- D353,511 S 12/1994 Saimen
- D353,512 S 12/1994 Saimen et al.
- D356,006 S 3/1995 Saimen et al.
- D357,159 S 4/1995 Mitsui et al.
- D367,991 S 3/1996 Saimen
- D367,992 S 3/1996 Saimen
- D368,405 S 4/1996 Tada

- D368,406 S 4/1996 Nakamura
- D373,502 S 9/1996 Fujii et al.
- D380,644 S 7/1997 Tsuda et al.
- D386,353 S * 11/1997 Fujimoto et al. D7/351
- D390,411 S 2/1998 Nakagawa
- D390,412 S 2/1998 Takimoto
- D410,813 S 6/1999 Fujii
- D410,814 S 6/1999 Koike
- D411,074 S 6/1999 Sakai et al.
- D411,706 S 6/1999 Koike
- D425,750 S 5/2000 Koike
- D426,102 S 6/2000 Hamada et al.
- D431,957 S 10/2000 Taira
- D433,268 S 11/2000 Taira
- D433,269 S 11/2000 Taira
- D435,999 S 1/2001 Noda et al.
- D436,285 S 1/2001 Taira
- D436,793 S 1/2001 Taira
- D442,424 S 5/2001 Naganuma
- D442,821 S 5/2001 Naganuma

* cited by examiner

Primary Examiner—Ruth McInroy

(74) *Attorney, Agent, or Firm*—Nixon & Vanderhye

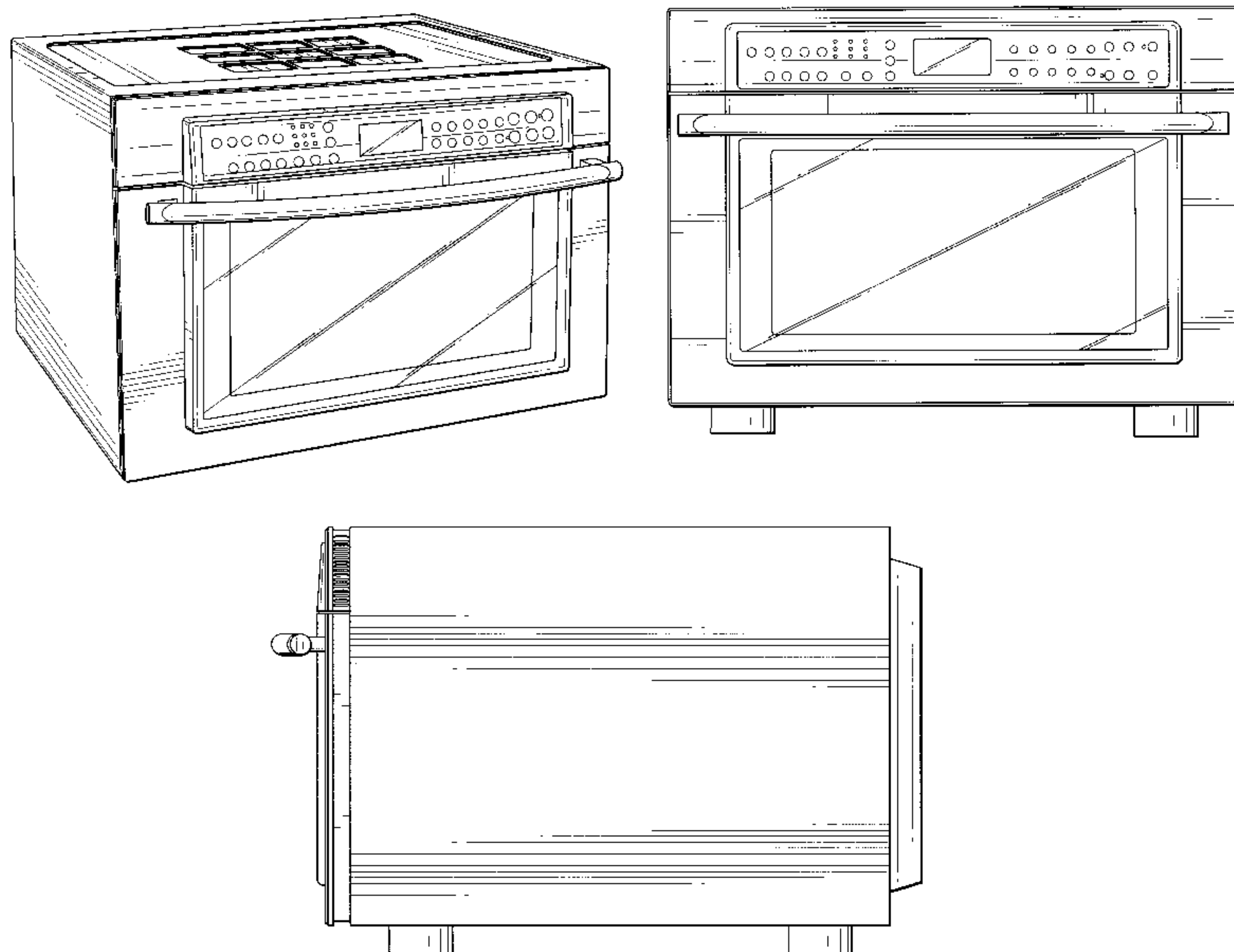
(57) **CLAIM**

The ornamental design for a microwave oven, as shown and described.

DESCRIPTION

FIG. 1 is a top, front and left side perspective view of a microwave oven showing our new design; FIG. 2 is a front elevational view thereof; FIG. 3 is a rear elevational view thereof; FIG. 4 is a top plan view thereof; FIG. 5 is a bottom plan view thereof; and, FIG. 6 is a right side elevational view thereof, the left side elevational view being a mirror image.

1 Claim, 5 Drawing Sheets



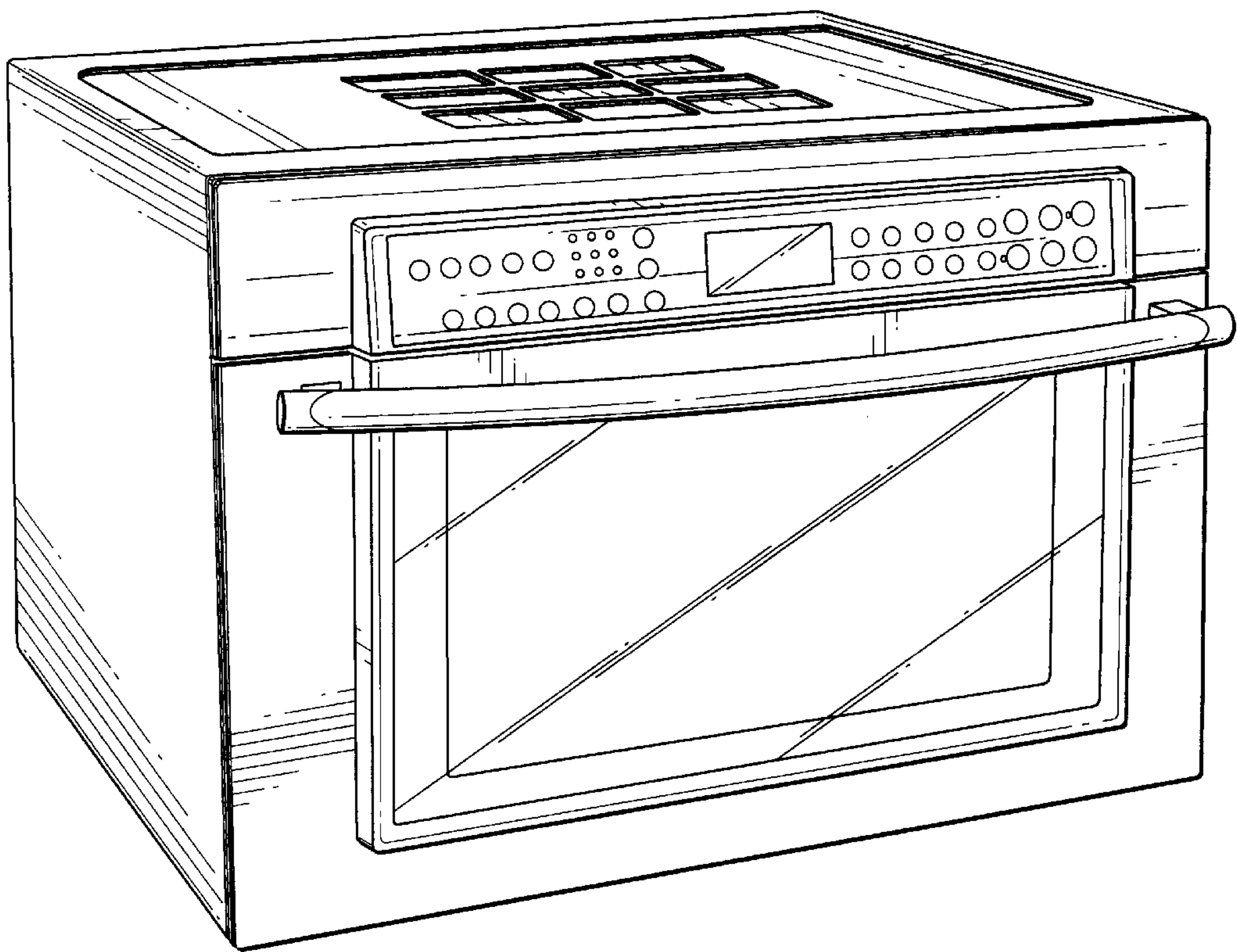


Fig. 1

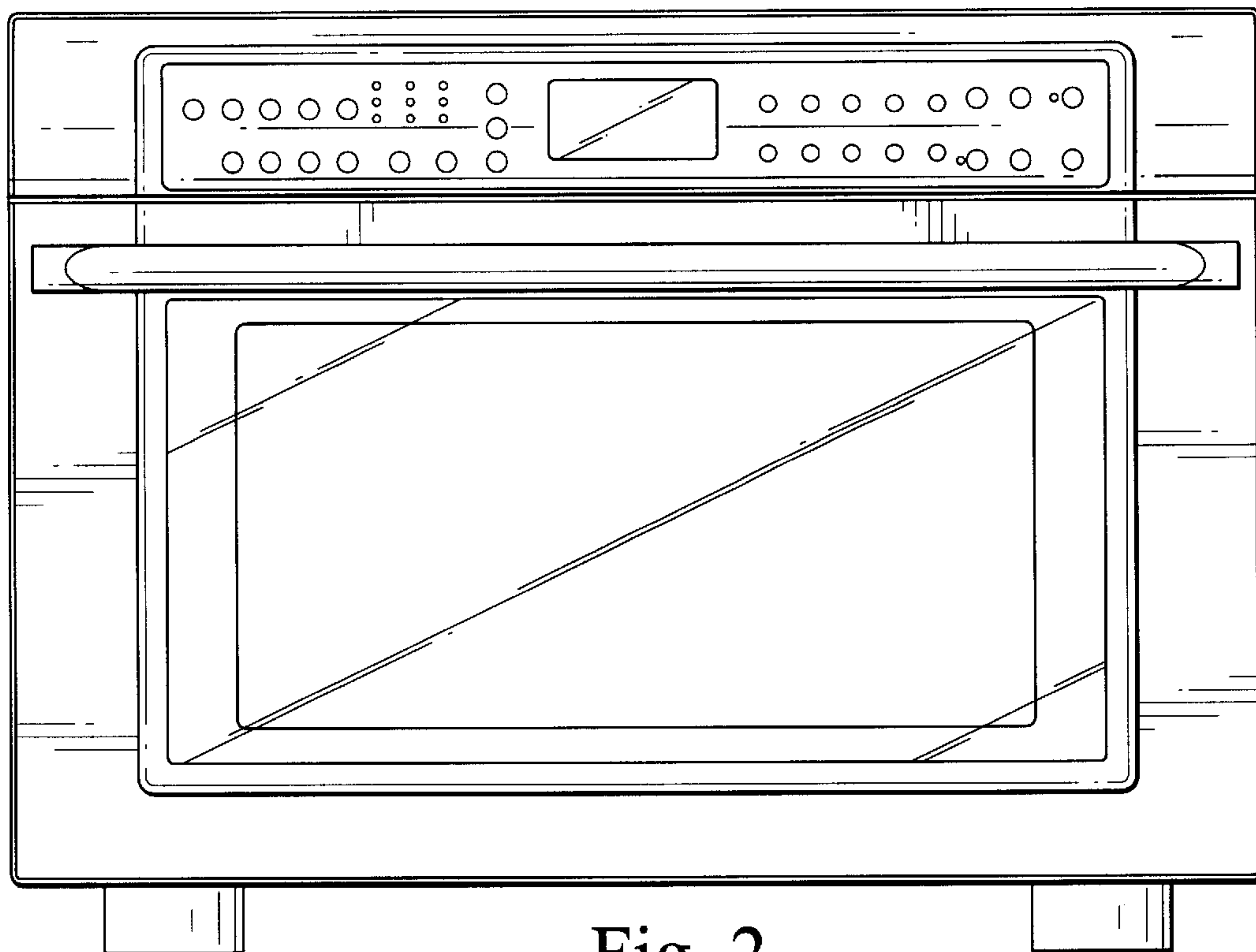


Fig. 2

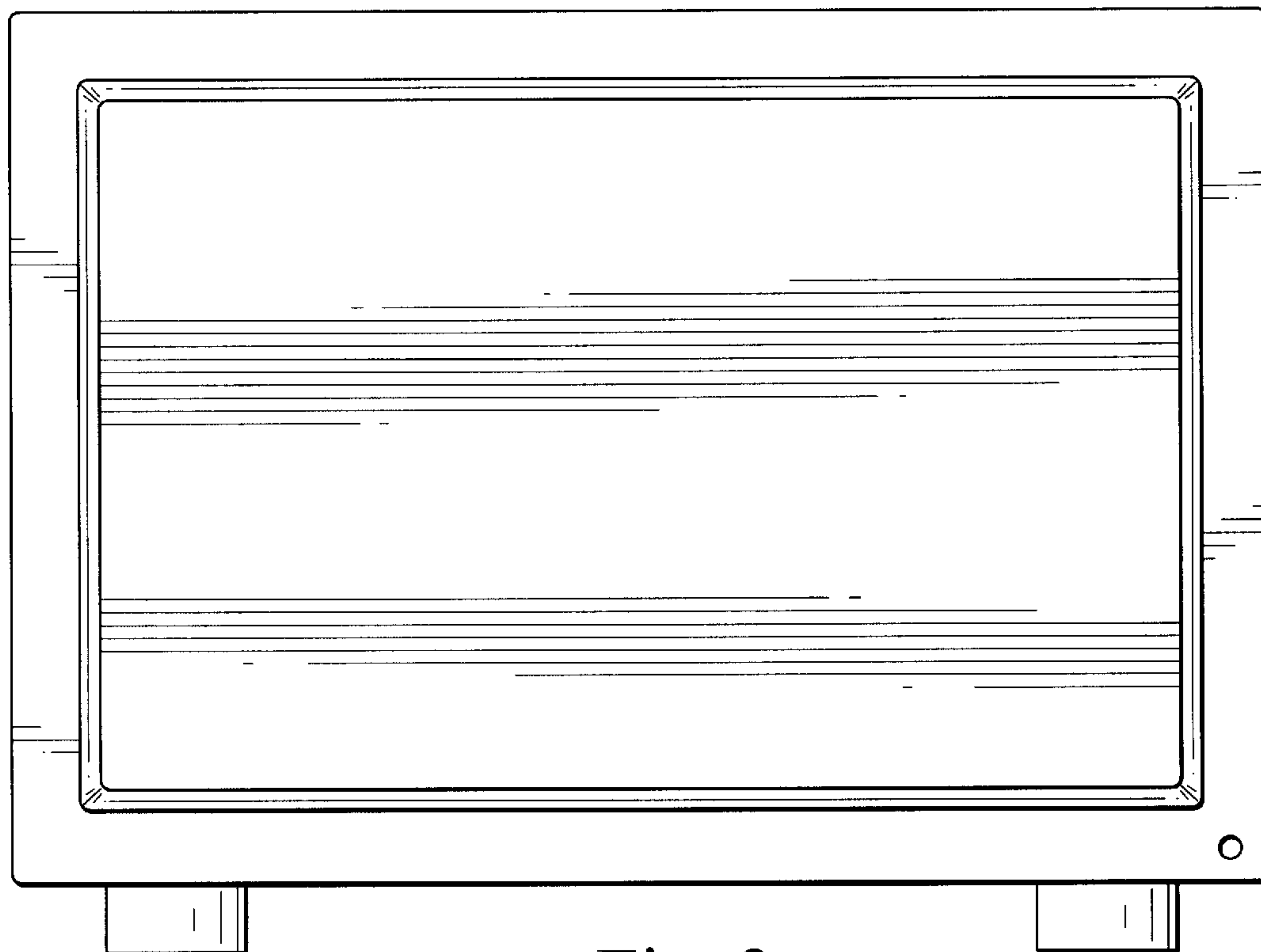


Fig. 3

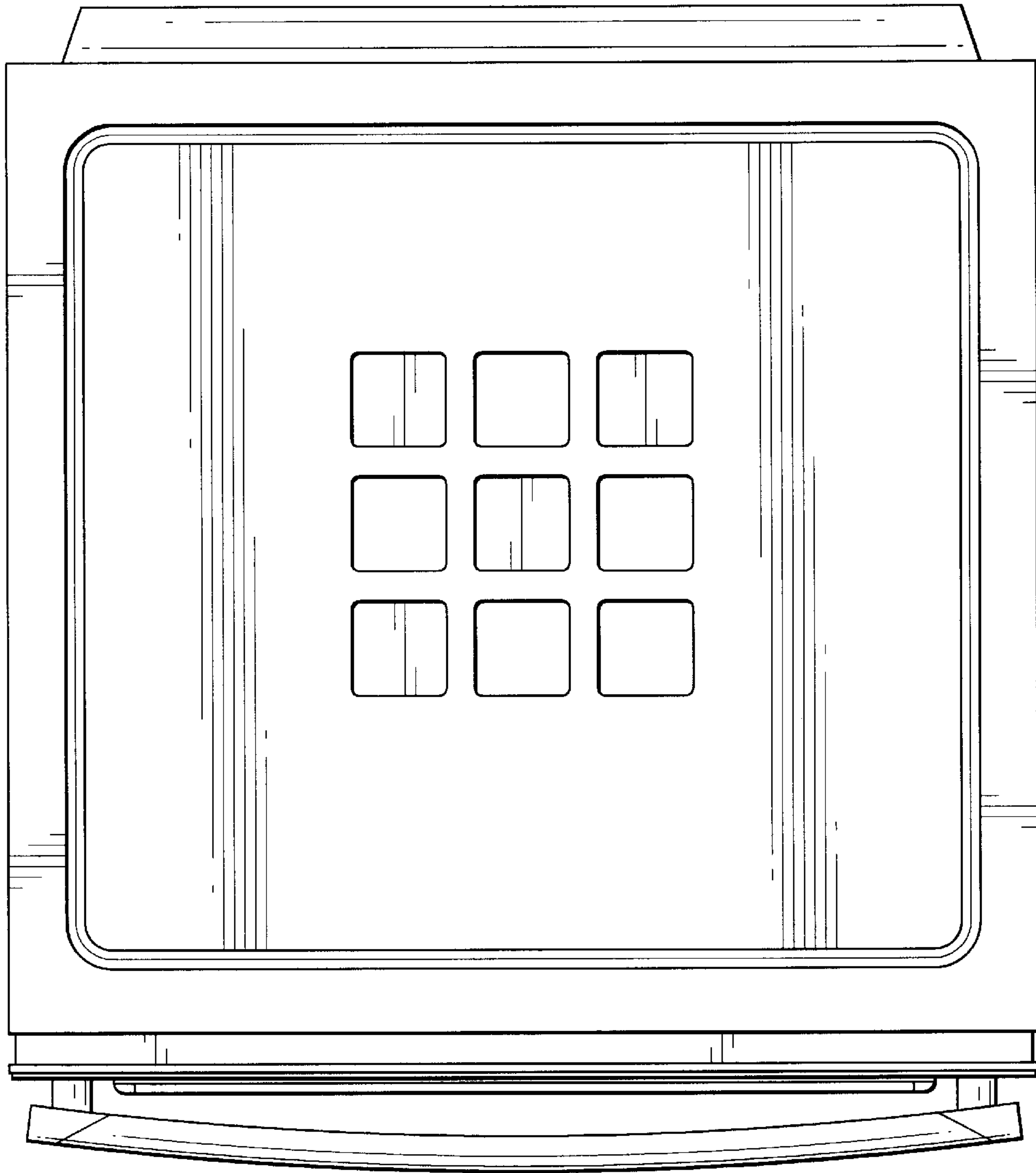


Fig. 4

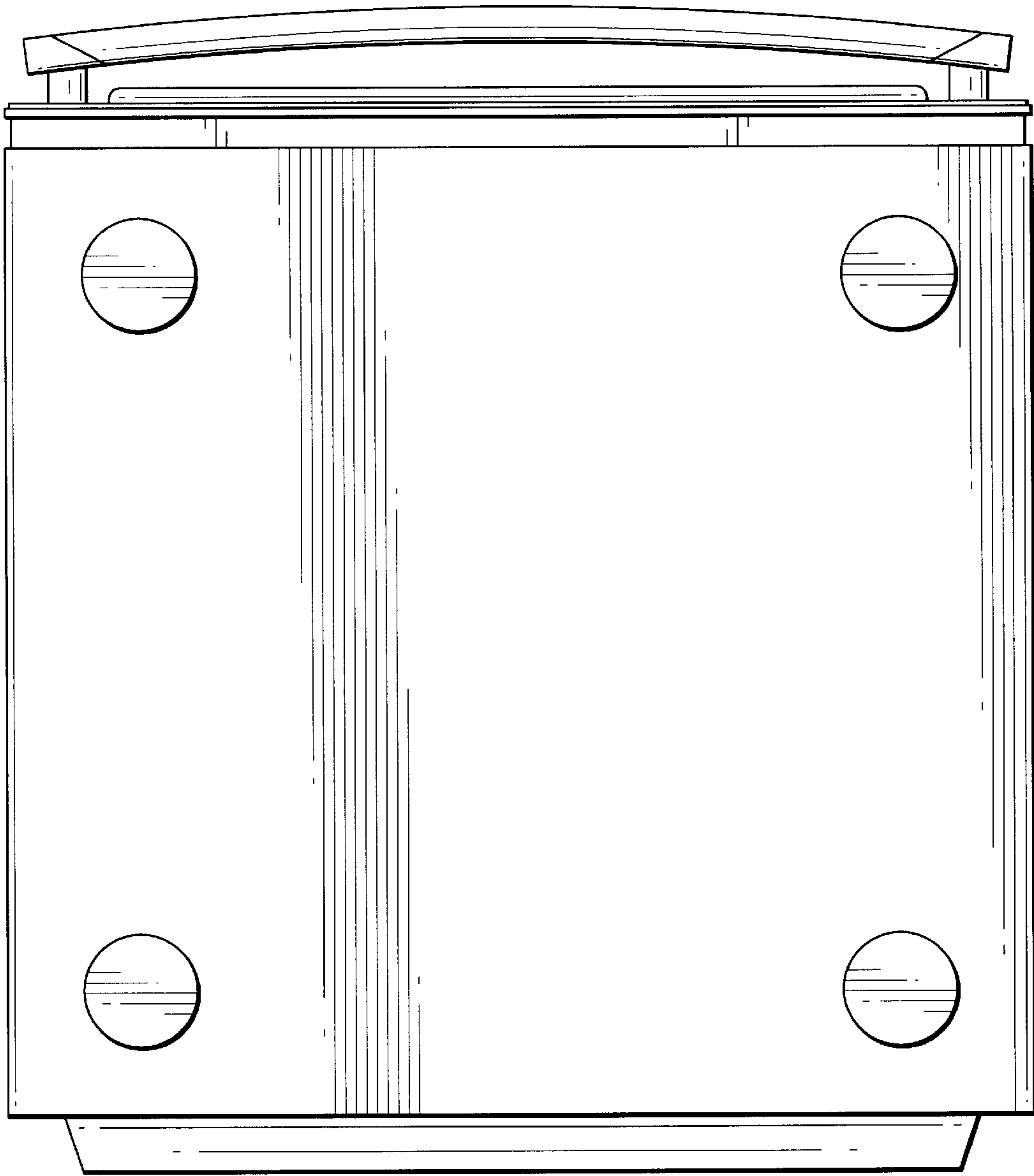


Fig. 5

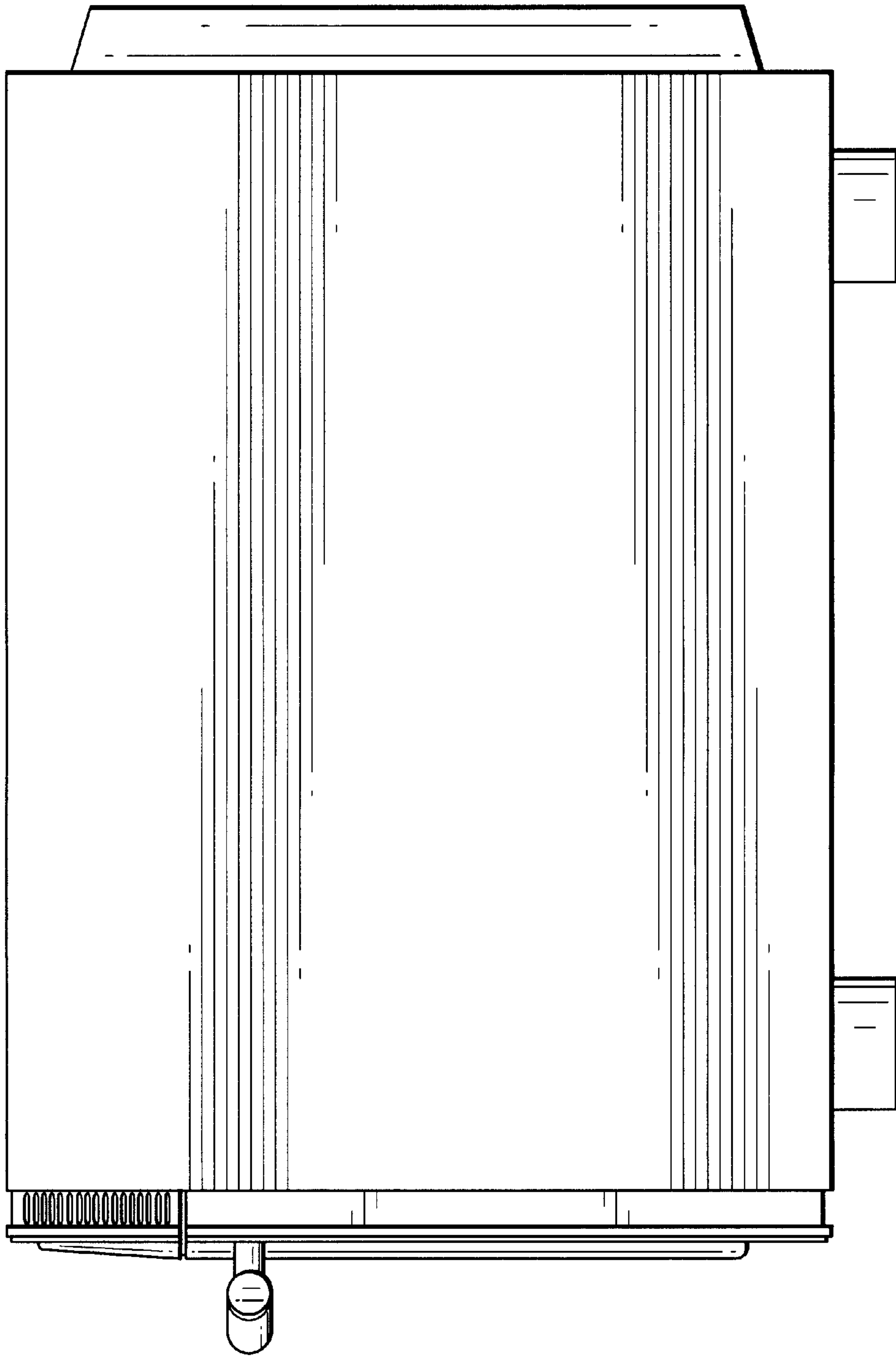


Fig. 6