



US00D468576S

(12) **United States Design Patent**
Shen

(10) **Patent No.:** **US D468,576 S**

(45) **Date of Patent:** **** Jan. 14, 2003**

(54) **BARBECUE GRILL**

(75) Inventor: **Nelson Shen**, Taipei (TW)

(73) Assignee: **Collins Co., Ltd.**, Taipei (TW)

(**) Term: **14 Years**

(21) Appl. No.: **29/158,570**

(22) Filed: **Apr. 8, 2002**

(51) **LOC (7) Cl.** **07-02**

(52) **U.S. Cl.** **D7/334**

(58) **Field of Search** D7/402, 403, 404,
D7/332-337; 126/25 R, 25 A, 25 AA, 41 R,
38, 37, 9 R; 99/419, 421 R

(56) **References Cited**

U.S. PATENT DOCUMENTS

D315,079 S	*	3/1991	Jui-Yen	D7/334
D351,308 S	*	10/1994	Pai	D7/334
D356,924 S	*	4/1995	Pai	D7/334
D381,241 S	*	7/1997	Pai	D7/334
D381,860 S	*	8/1997	Chiang	D7/334

D412,425 S	*	8/1999	Pai	D7/334
D414,374 S	*	9/1999	Ting	D7/334
D436,492 S	*	1/2001	Chou	D7/332
D456,664 S	*	5/2002	Chou	D7/334

* cited by examiner

Primary Examiner—Ruth McInroy

(74) *Attorney, Agent, or Firm*—Rosenberg, Klein & Lee

(57) **CLAIM**

The ornamental design for barbecue grill, as shown and described.

DESCRIPTION

FIG. 1 is the perspective view of a barbecue grill showing my new design;

FIG. 2 is the front elevational view thereof;

FIG. 3 is the rear elevational view thereof;

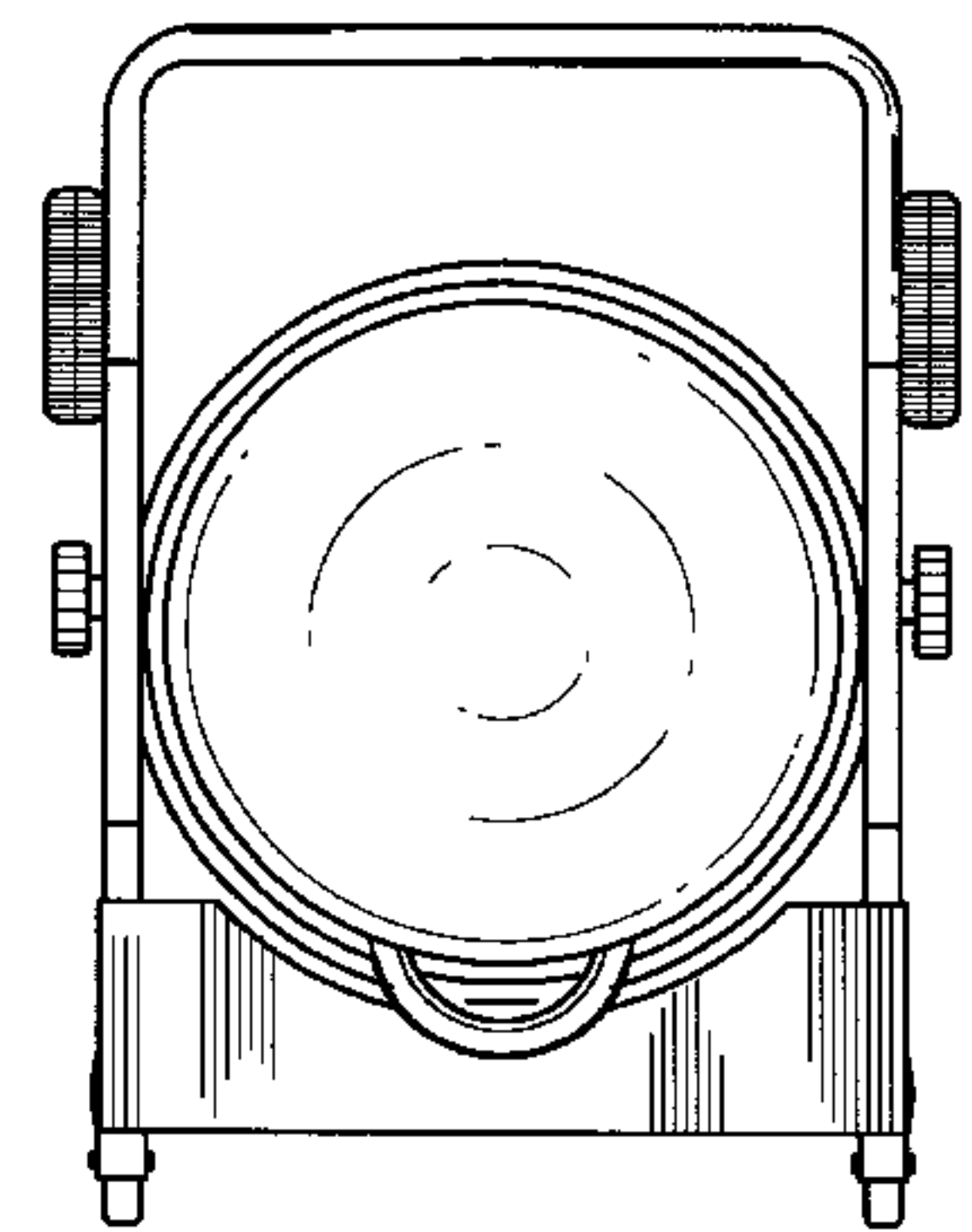
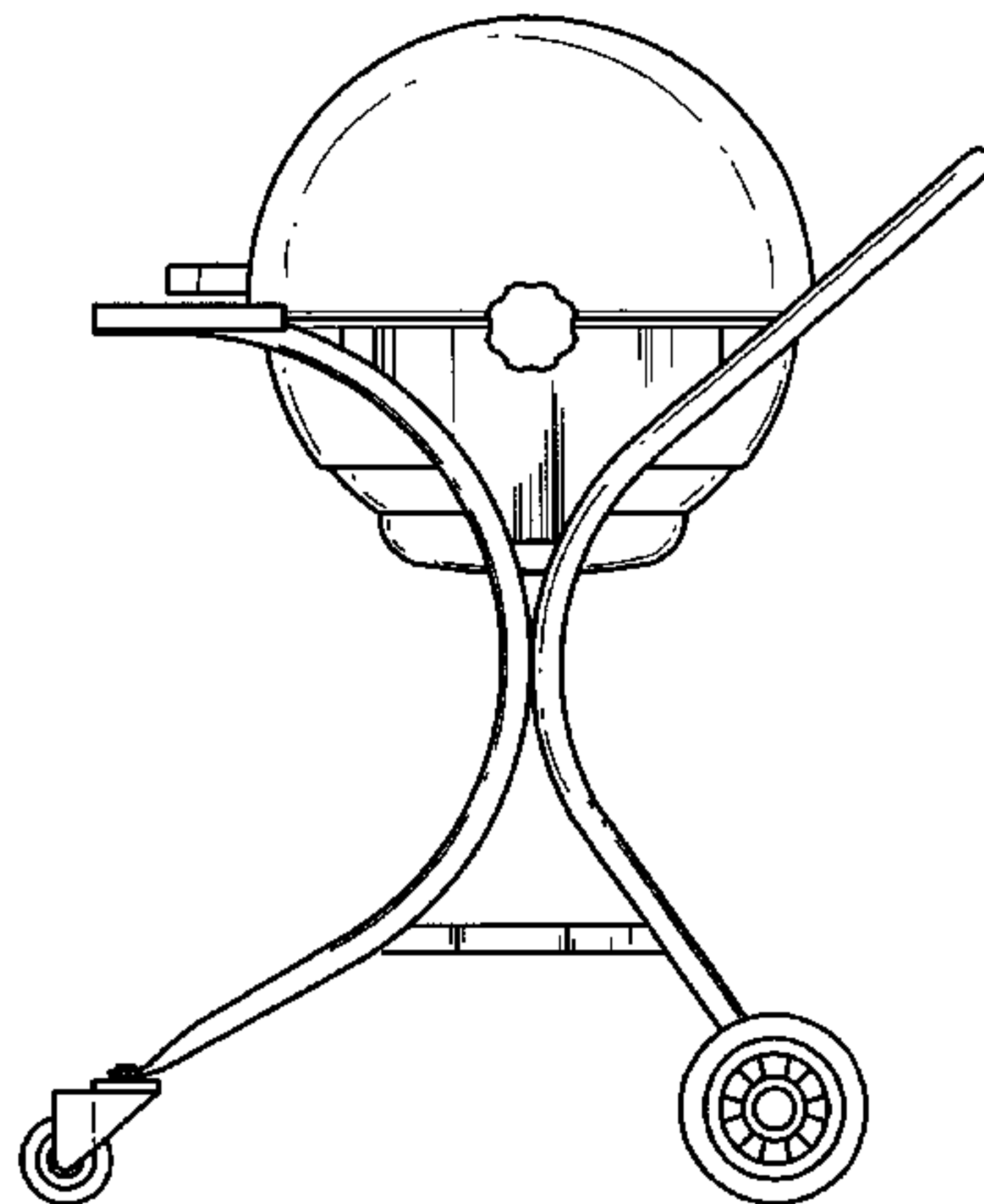
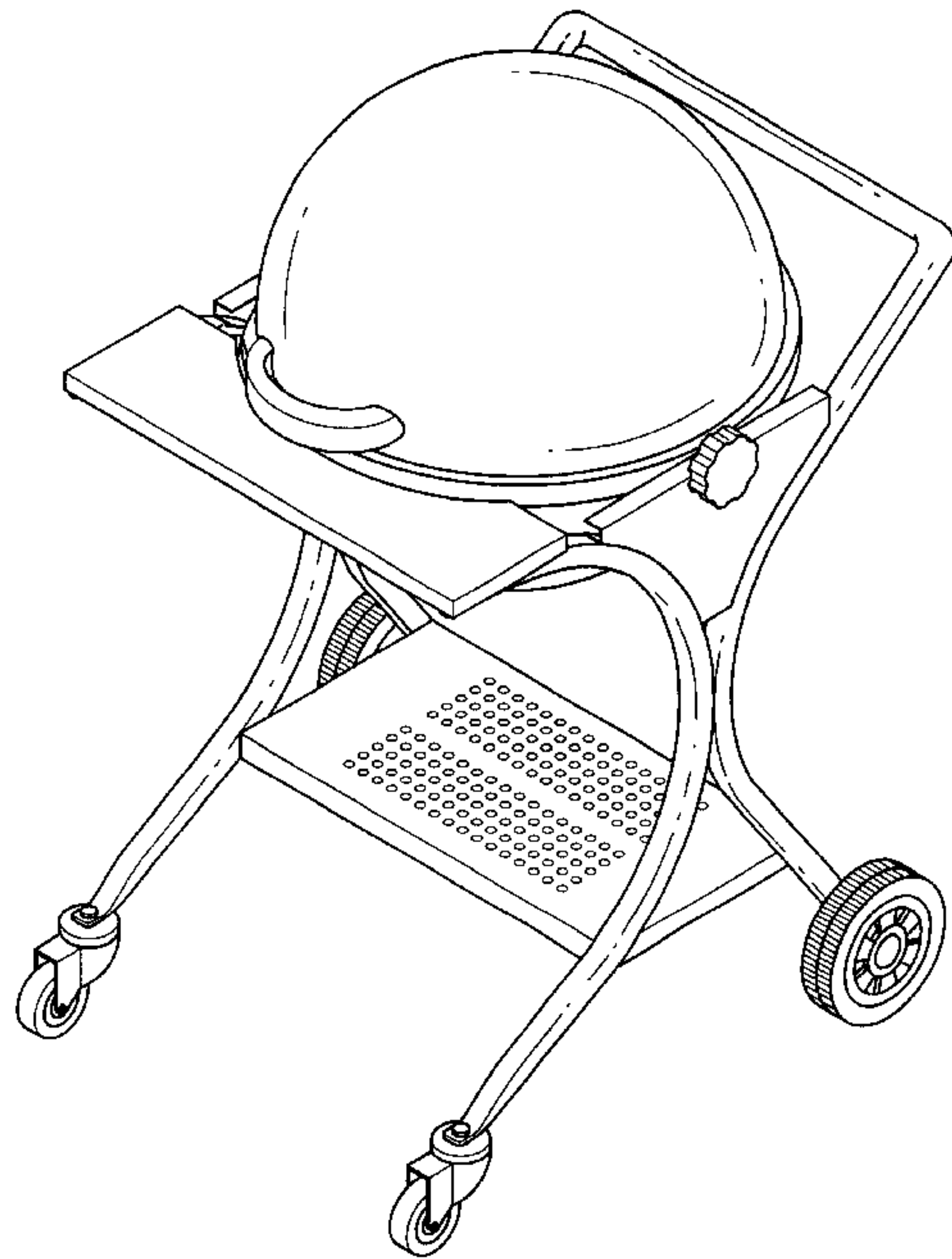
FIG. 4 is the left side elevational view thereof;

FIG. 5 is the right side elevational view thereof;

FIG. 6 is the top plan view thereof; and,

FIG. 7 is the bottom plan view thereof.

1 Claim, 4 Drawing Sheets



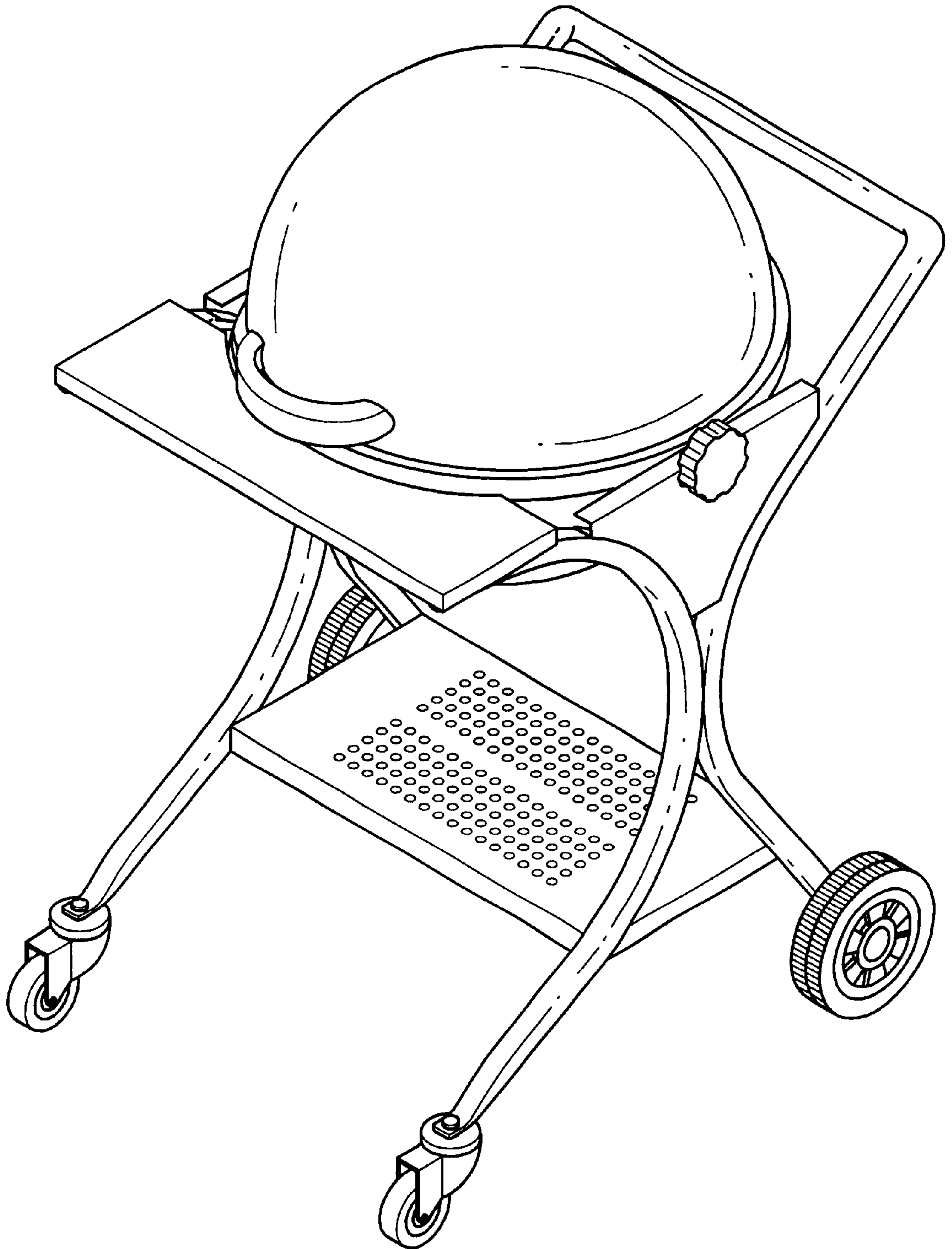


Fig. 1

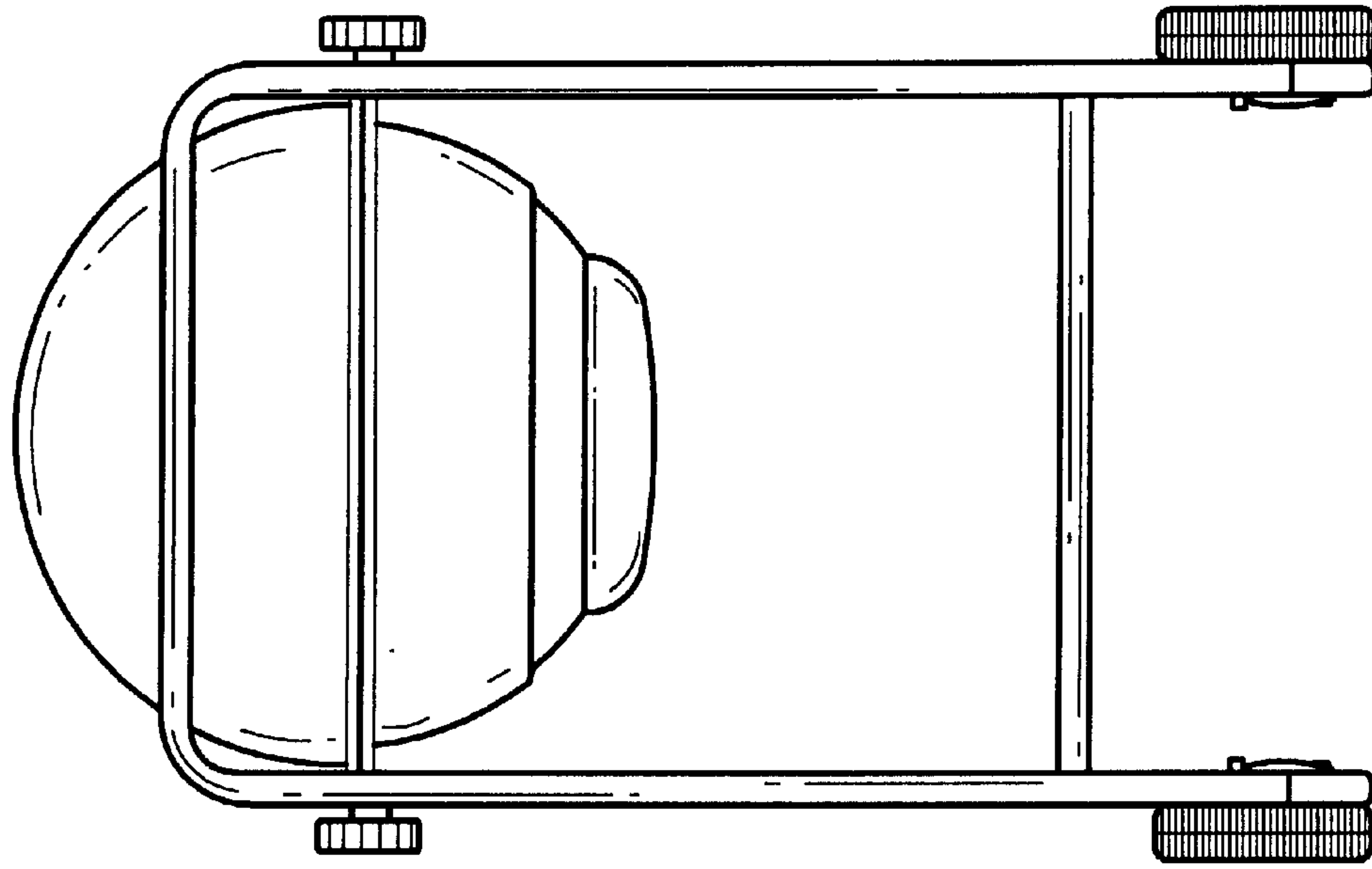


Fig. 2

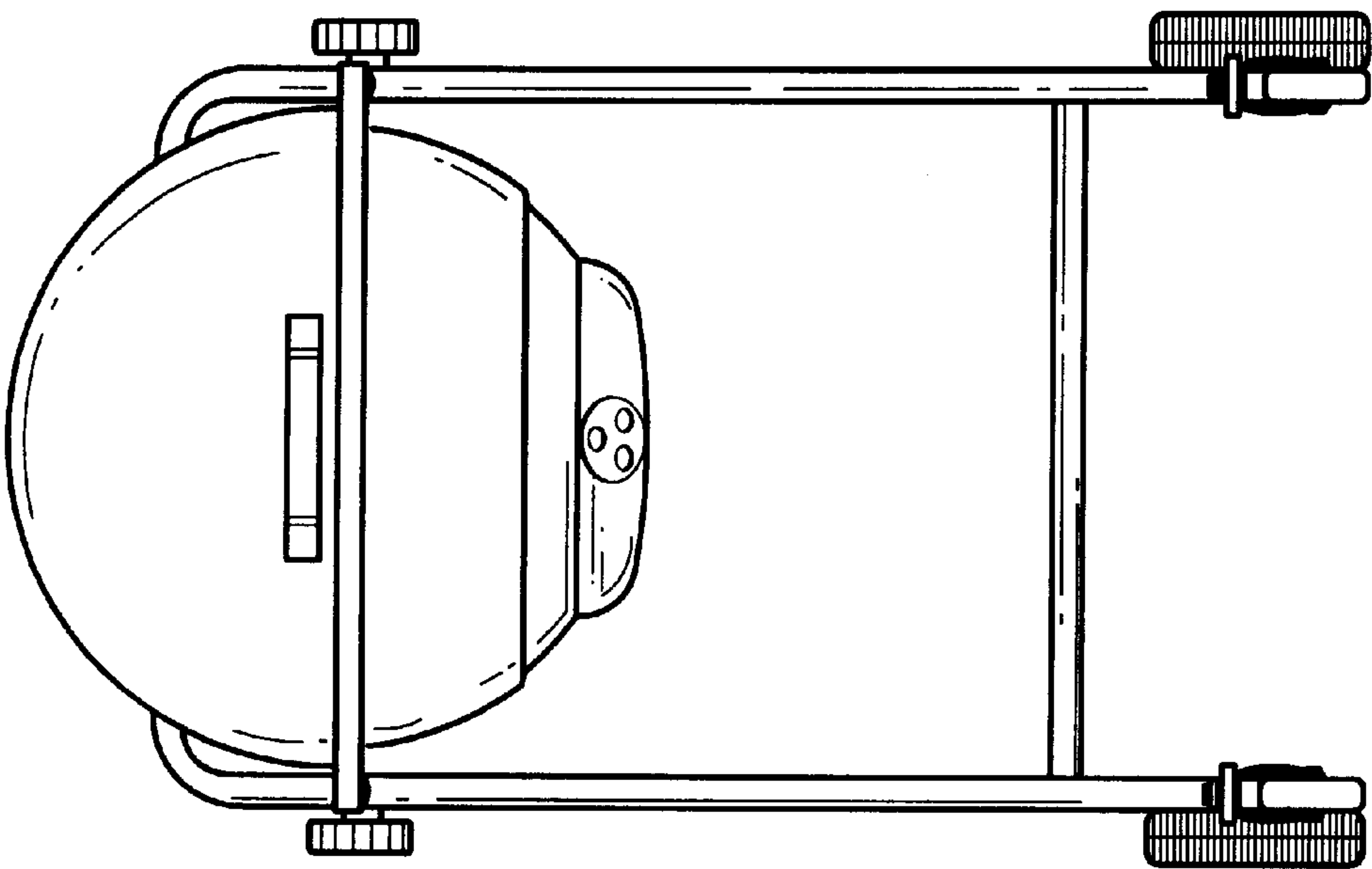


Fig. 3

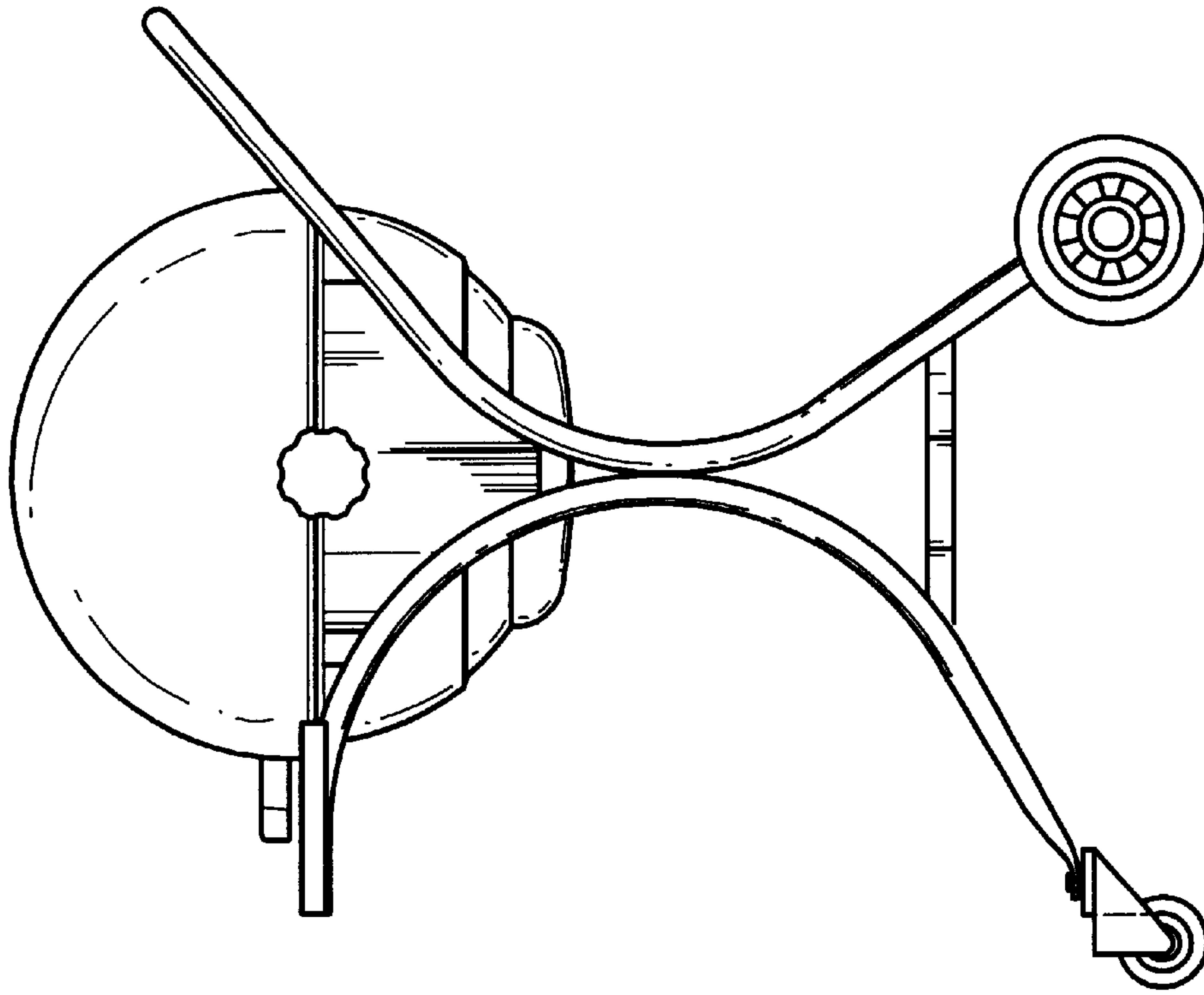


Fig. 5

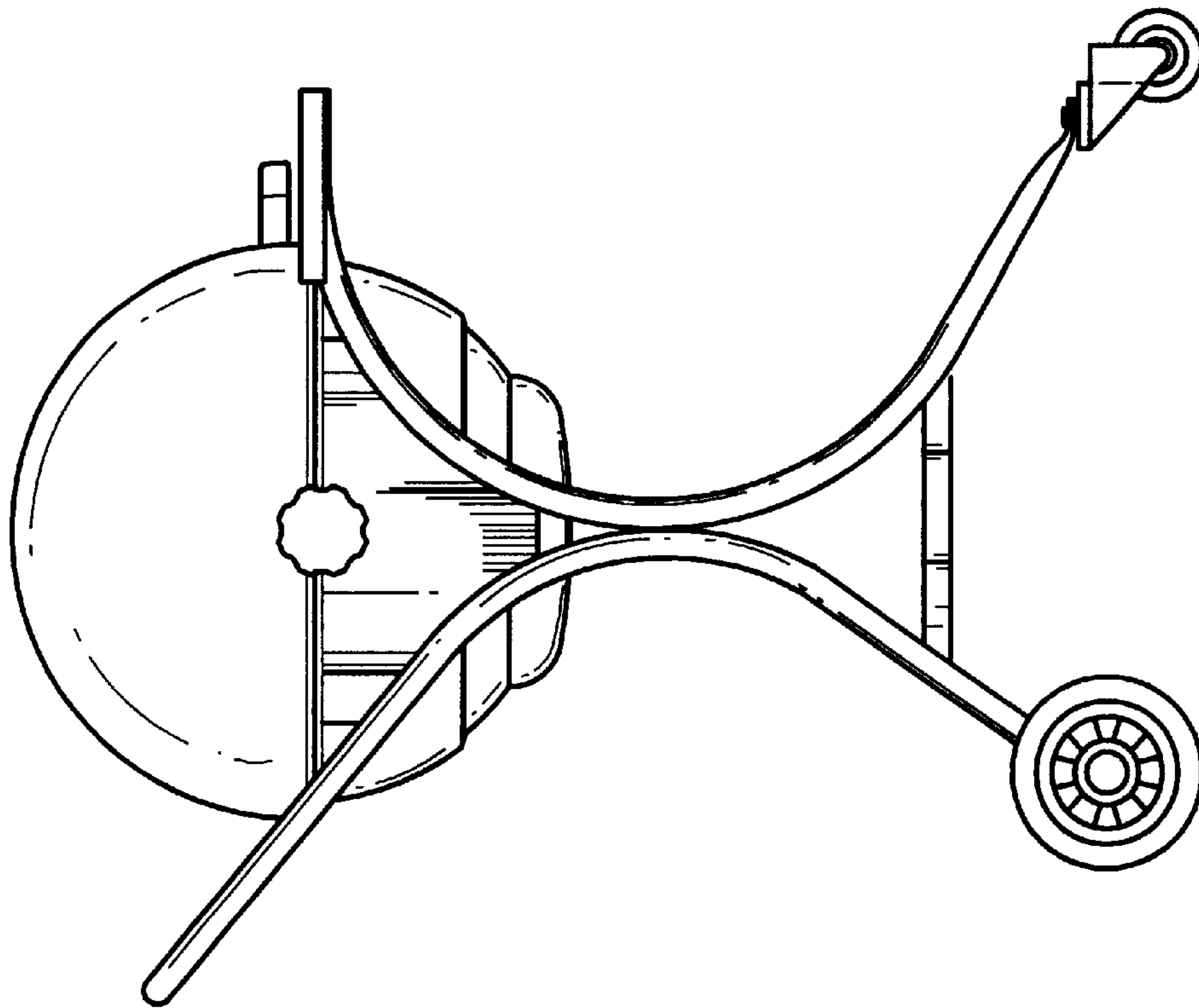


Fig. 4

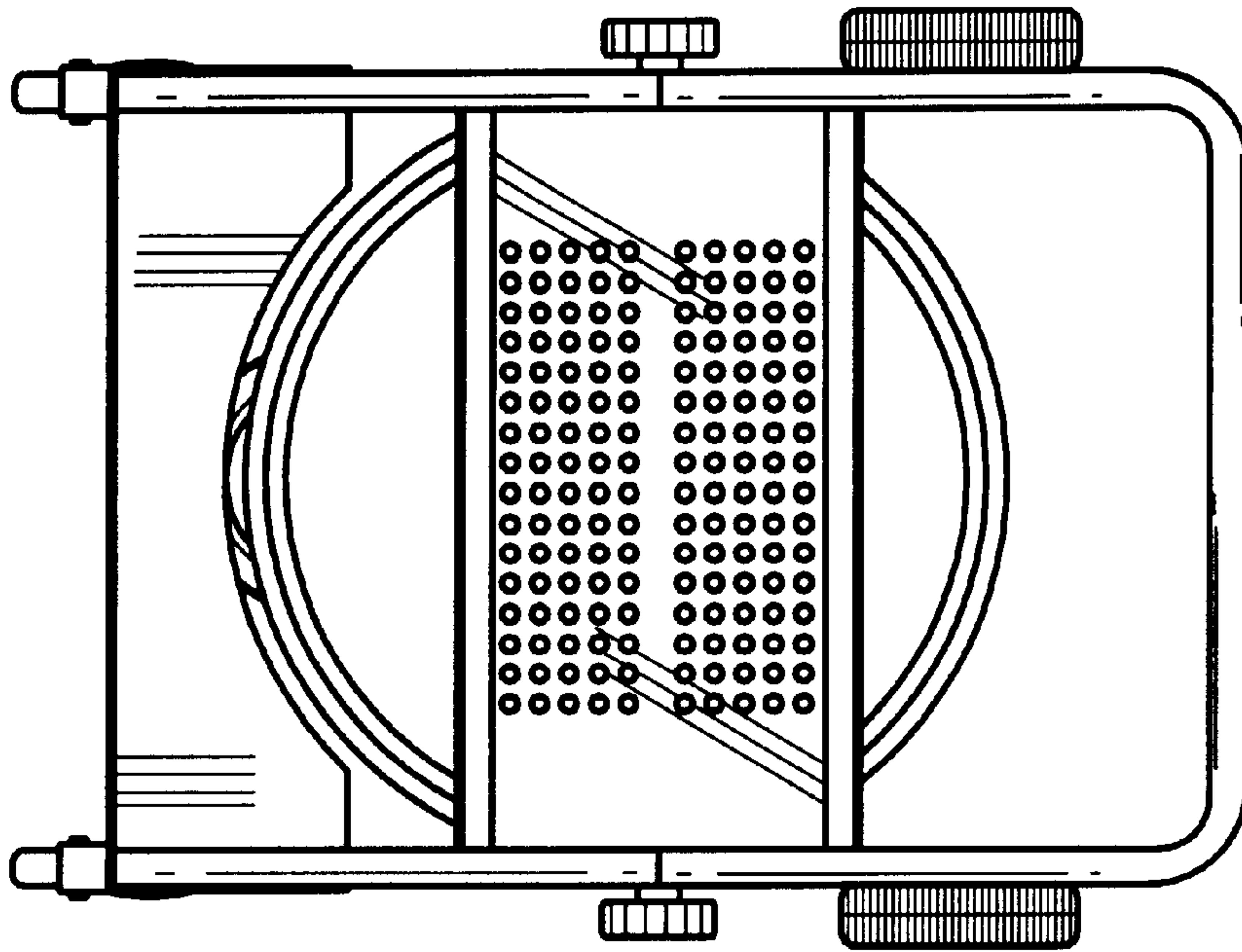


Fig. 6

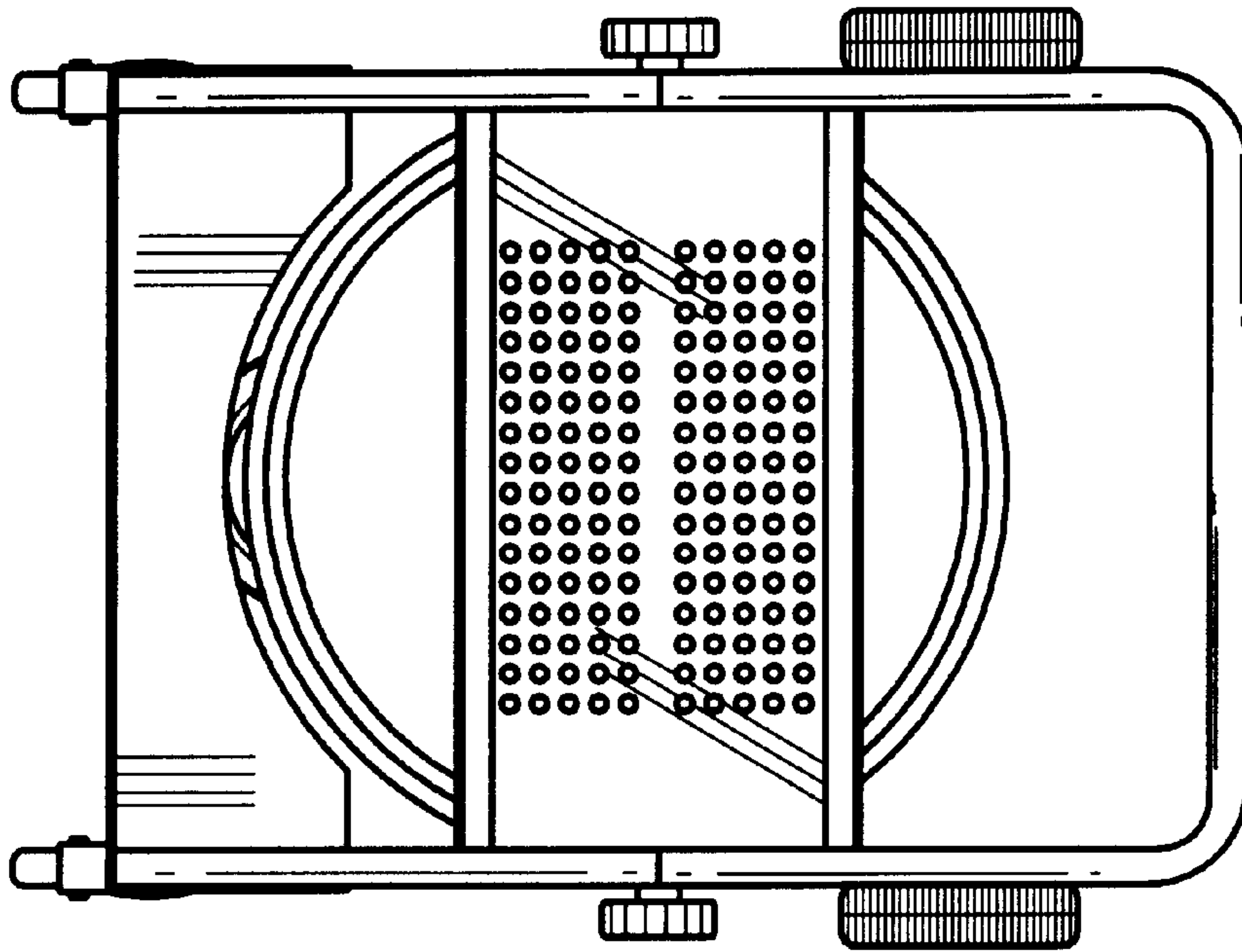


Fig. 7