



US00D468575S

(12) **United States Design Patent**
Allen

(10) **Patent No.:** **US D468,575 S**

(45) **Date of Patent:** **** Jan. 14, 2003**

(54) **DISC CARRYING CASE**

(75) **Inventor:** **John E. Allen**, Stillwater, MN (US)

(73) **Assignee:** **Minnesota Public Radio**, St. Paul, MN (US)

(**) **Term:** **14 Years**

(21) **Appl. No.:** **29/141,476**

(22) **Filed:** **May 7, 2001**

D333,910 S	*	3/1993	Rorke	D6/630
D352,965 S	*	11/1994	Stravitz	D19/90
5,411,138 A		5/1995	Kawiter		
D371,712 S	*	7/1996	Koziol	D6/629
5,636,752 A		6/1997	Gallagher		
D386,931 S	*	12/1997	Nemeth	D6/629
5,839,587 A		11/1998	Gress et al.		
5,862,922 A	*	1/1999	Gallagher		
D408,204 S	*	4/1999	Robinson et al.	D6/629
6,059,123 A		5/2000	Cotutsca		
D434,229 S	*	11/2000	Van den Branden et al.		D3/314

Related U.S. Application Data

(63) Continuation of application No. 09/506,168, filed on Feb. 17, 2000.

(51) **LOC (7) Cl.** **19-04**

(52) **U.S. Cl.** **D6/629; D6/407**

(58) **Field of Search** D3/201, 218, 272, D3/273, 276, 905, 314; D6/407, 626-635; D7/610; D9/337, 445, 454; D19/26, 27, 32, 65, 75-77, 81, 90; D28/77; 206/232, 307, 307.1, 308.1, 308.2, 308.3, 309-310, 311, 312, 313, 387.11, 387.13, 387.15; 312/9.57, 902, 9.9, 9.48, 9.55, 9.64, 9.47, 9.53, 328, 9.22; 379/355

(56) **References Cited**

U.S. PATENT DOCUMENTS

1,058,794 A		4/1913	Sargent		
D236,930 S	*	9/1975	Frazelle		
D247,646 S	*	3/1978	Woodhall	D6/629
4,123,128 A	*	10/1978	Abele	D7/610
D263,907 S	*	4/1982	Pepicelli, Jr. et al.	D6/629
D275,500 S	*	9/1984	Tyke	D19/76
D289,181 S	*	4/1987	Solomon	D19/90
4,655,345 A	*	4/1987	Drake et al.	206/308.1
4,678,245 A	*	7/1987	Fouassier	312/9.22
4,735,314 A		4/1988	Kadleck et al.		
D295,930 S	*	5/1988	Drake et al.	D6/629
D300,589 S	*	4/1989	Cross et al.	D6/629
4,819,801 A	*	4/1989	Howard	206/307
D303,330 S	*	9/1989	Stanton	D6/407
4,989,730 A		2/1991	Lemoine		
5,000,526 A		3/1991	Comerford		
D319,741 S	*	9/1991	Sylvester	D6/407
5,072,835 A		12/1991	Price, Jr. et al.		

OTHER PUBLICATIONS

“CD bags”, http://www.am-denmark.com/engelsk/main_index.asp, last updated May 3, 2000, 6 pages.

“CD storage <30 CDs”, http://www.am-denmark.com/engelsk/main_index.asp, last updated May 3, 2000, 5 pages.

“CD storage >30 CDs”, http://www.am-denmark.com/engelsk/main_index.asp, last updated May 3, 2000, 5 pages.

“DVD”, http://www.am-denmark.com/engelsk/main_index.asp, last updated May 3, 2000, 1 page.

“Mini Disc accessories”, http://www.am-denmark.com/engelsk/main_index.asp, last updated May 3, 2000, 4 pages.

“TROJAN.com.au—CD Storage Devices”, <http://www.trojan.com.au/cdstorag.htm>, last updated May 3, 2000, 4 pages.

“TROJAN.com.au—Personalised Products”, <http://www.trojan.com.au/personal.htm>, last updated May 3, 2000, 2 pages.

* cited by examiner

Primary Examiner—Celia Murphy

(74) *Attorney, Agent, or Firm*—Merchant & Gould P.C.

(57) **CLAIM**

The ornamental design for disc carrying case, as shown and described.

DESCRIPTION

FIG. 1 is a perspective view of a disc carrying case showing my new design;

FIG. 2 is a front view thereof.

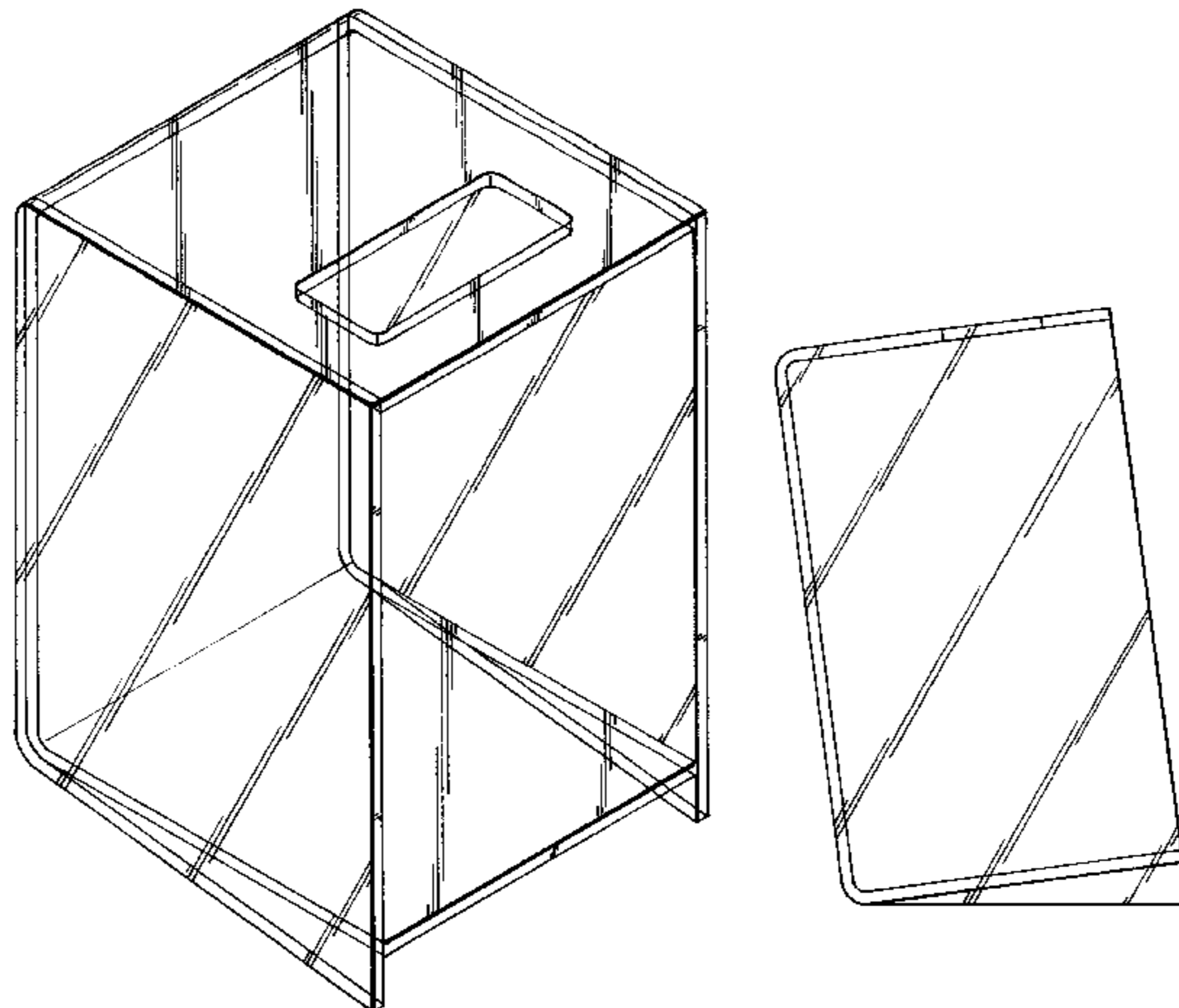
FIG. 3 is a rear view thereof.

FIG. 4 is a side view thereof.

FIG. 5 is a top view thereof.

FIG. 6 is a bottom view thereof.

1 Claim, 4 Drawing Sheets



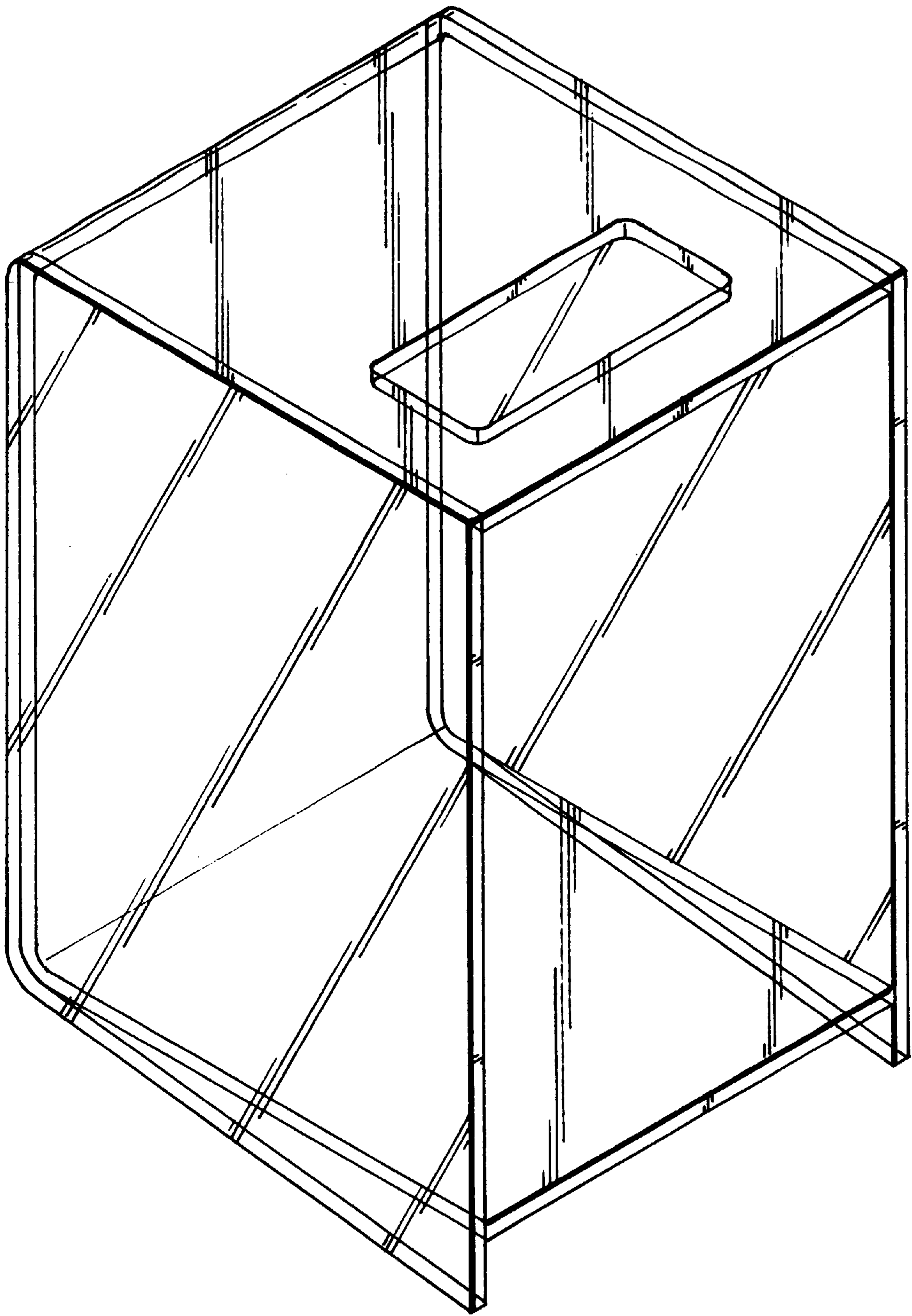


FIG. 1

FIG. 2

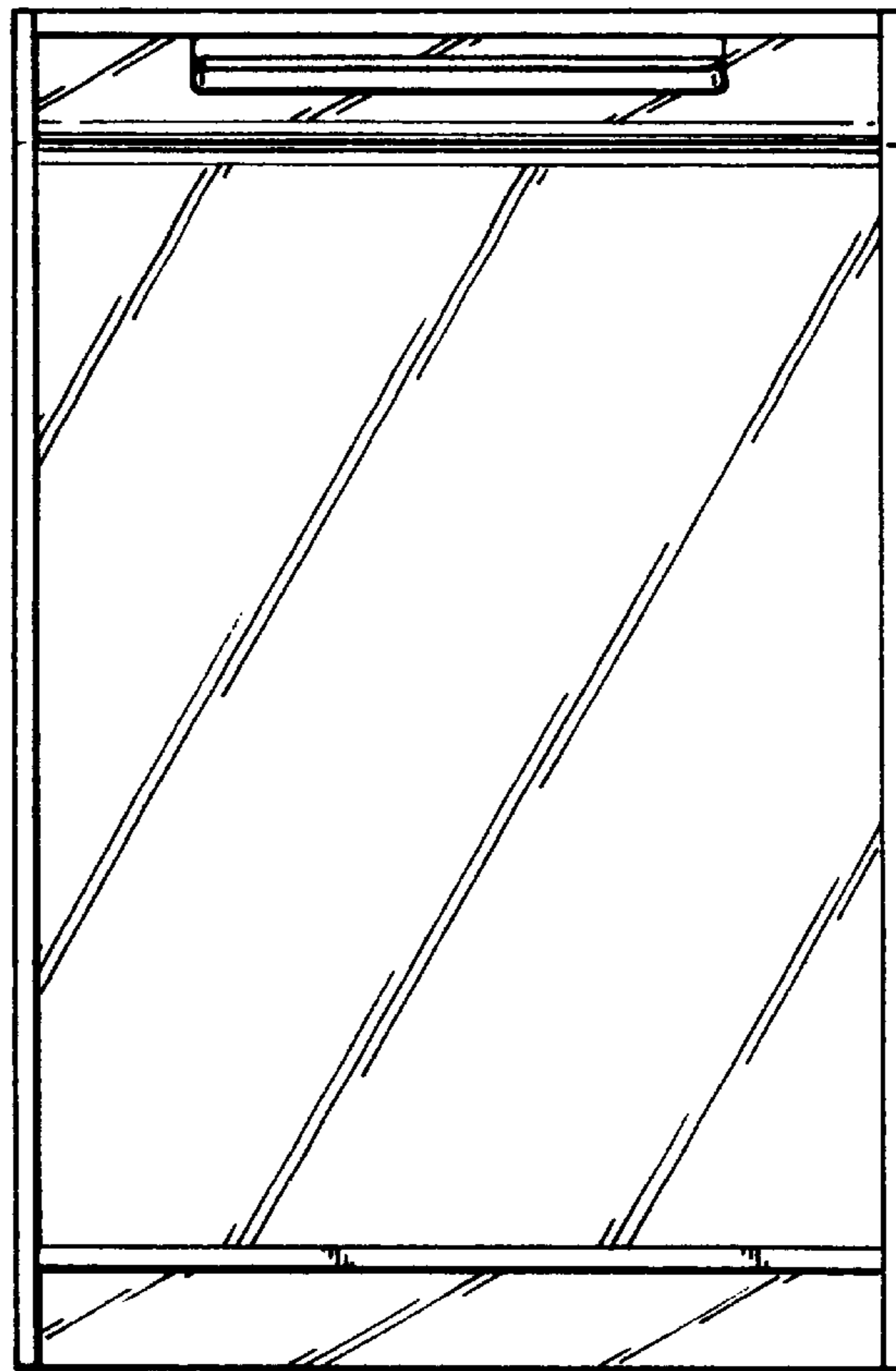
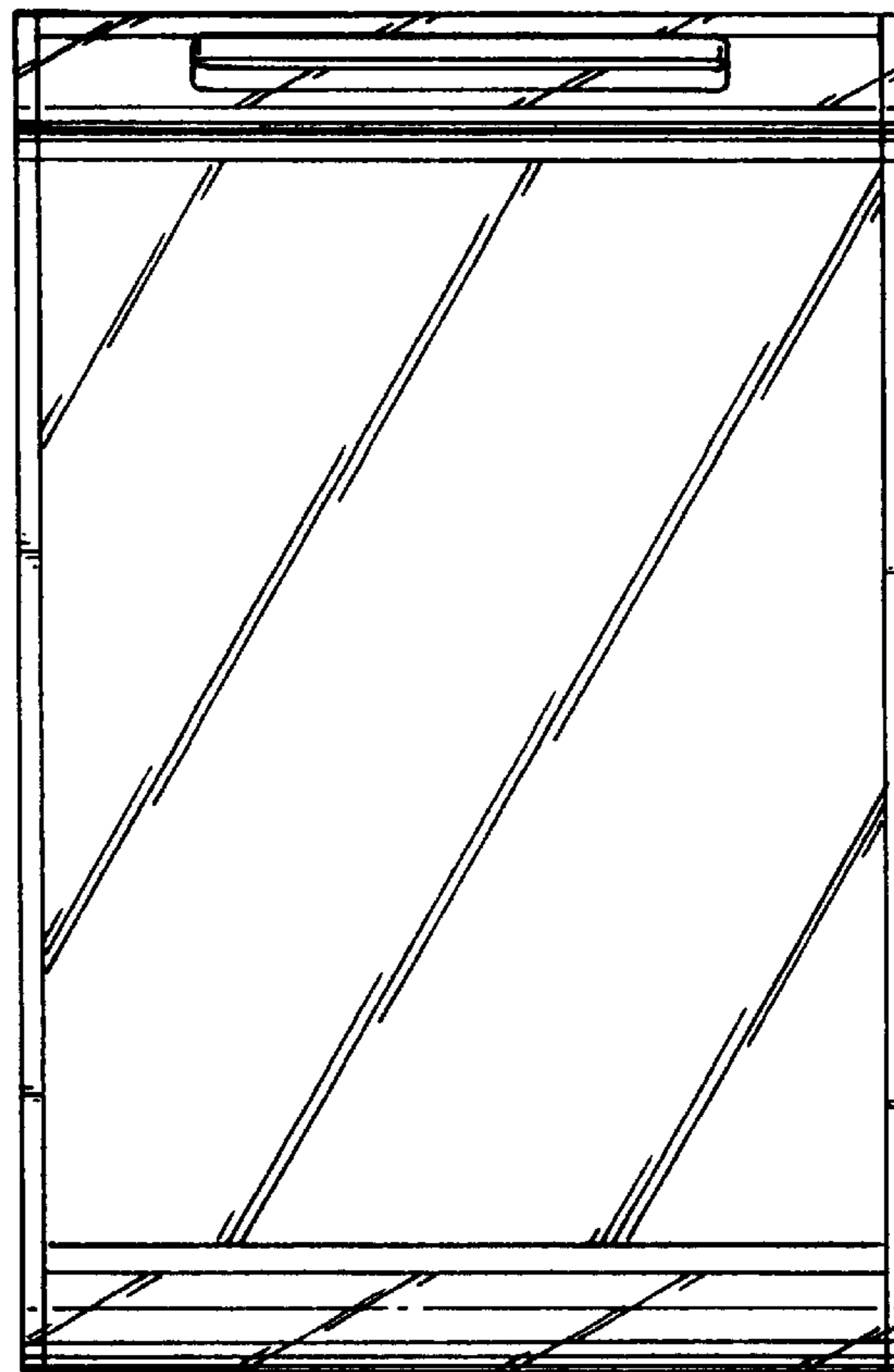


FIG. 3



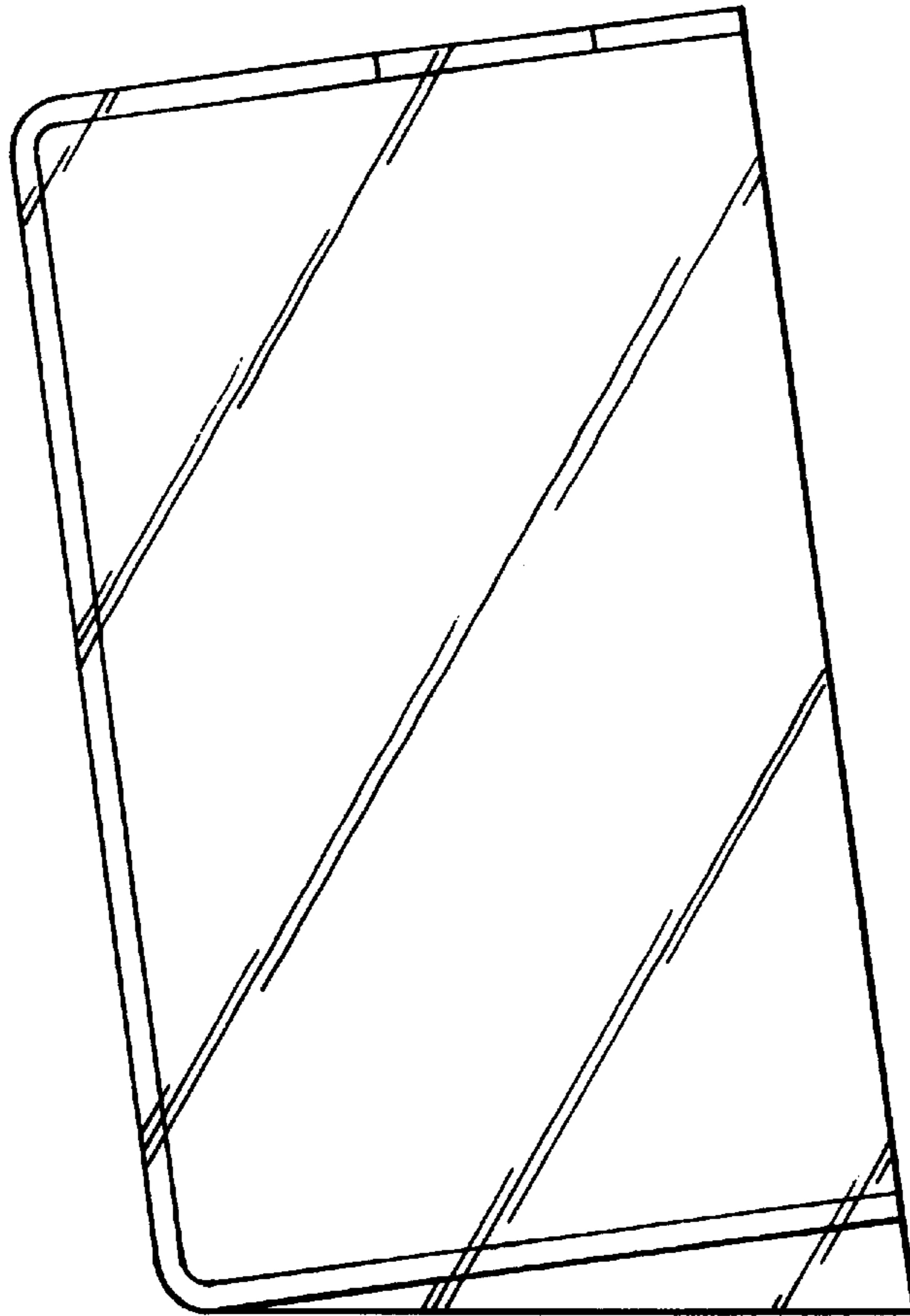


FIG. 4

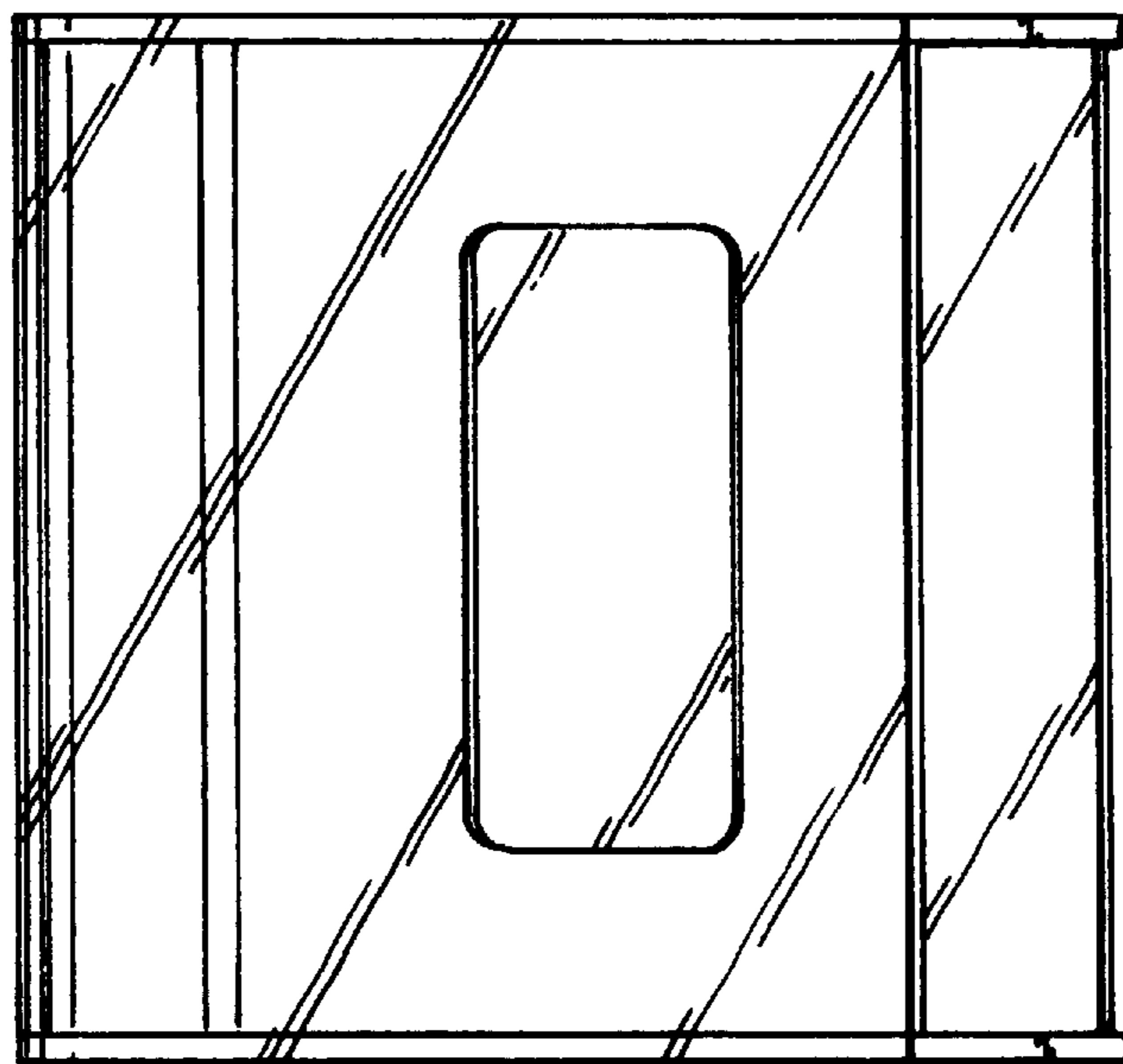


FIG. 5

FIG. 6

