



US00D468572S

(12) **United States Design Patent**  
**Battaglia**

(10) **Patent No.:** **US D468,572 S**  
(45) **Date of Patent:** **\*\* Jan. 14, 2003**

(54) **HANGING DISPLAY FOR BOTTLES**  
(75) Inventor: **Joseph M. Battaglia**, Douglasville, GA (US)  
(73) Assignee: **L&P Property Management Company**, South Gate, CA (US)  
(\*\*) Term: **14 Years**

5,330,261 A 7/1994 Bennett  
5,351,841 A 10/1994 Belokin et al.  
5,358,128 A 10/1994 Belokin et al.  
5,486,044 A 1/1996 Bennett  
5,695,074 A 12/1997 Wiese  
D396,372 S \* 7/1998 Goodman ..... D6/566  
5,788,093 A 8/1998 Krut  
RE36,827 E 8/2000 Belokin et al.  
D437,164 S \* 2/2001 Fickett ..... D6/566 X  
6,341,704 B1 \* 1/2002 Michel, Jr. .... 211/181.1

(21) Appl. No.: **29/123,338**  
(22) Filed: **May 16, 2000**

\* cited by examiner  
*Primary Examiner*—Brian N. Vinson  
(74) *Attorney, Agent, or Firm*—Michael Best & Friedrich LLC

(51) **LOC (7) Cl.** ..... **06-04**  
(52) **U.S. Cl.** ..... **D6/566**  
(58) **Field of Search** ..... D6/582, 553, 567,  
D6/566; 211/13.1, 86.01, 87.01, 90.03,  
106, 181.1; 248/302, 309.1, 309.2

(57) **CLAIM**  
The ornamental design for a hanging display for bottles, as shown and described.

(56) **References Cited**  
**U.S. PATENT DOCUMENTS**  
917,914 A 4/1909 Van Otteren  
1,159,485 A 11/1915 Foster  
1,236,929 A 8/1917 Hauck  
1,436,515 A 11/1922 Mitchell  
1,449,275 A 3/1923 Feist  
1,936,517 A 11/1933 Maine  
2,467,997 A \* 4/1949 Sheker ..... 211/13.1  
2,508,945 A 5/1950 Heuer  
2,741,370 A 4/1956 Dills  
2,763,413 A 9/1956 Felton  
D200,943 S \* 4/1965 Bleeck ..... D6/566  
3,746,179 A 7/1973 Paumgardhen  
4,318,485 A 3/1982 Clement  
4,327,836 A 5/1982 Okuno  
5,039,046 A 8/1991 Brewster  
D342,844 S 1/1994 Rittenberg

**DESCRIPTION**  
FIG. 1 is a perspective view of the hanging display for bottles;  
FIG. 2 is a front elevation view of the hanging display for bottles;  
FIG. 3 is a top plan view of the hanging display for bottles;  
FIG. 4 is a bottom plan view of the hanging display for bottles;  
FIG. 5 is a right side elevation view of the hanging display for bottles;  
FIG. 6 is a rear elevation view of the hanging display for bottles  
FIG. 7 is a left side elevation view of the hanging display for bottles; and,  
FIG. 8 is a detail of FIG. 1.

**1 Claim, 3 Drawing Sheets**

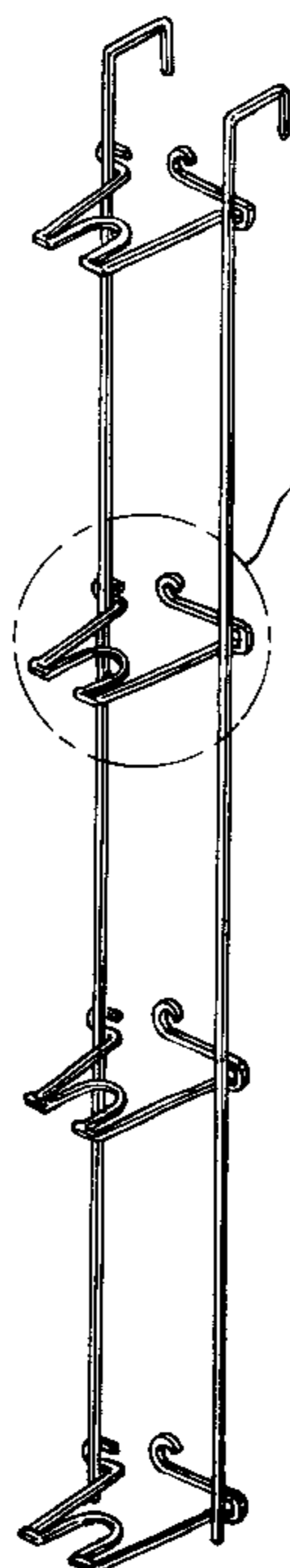


FIG. 1

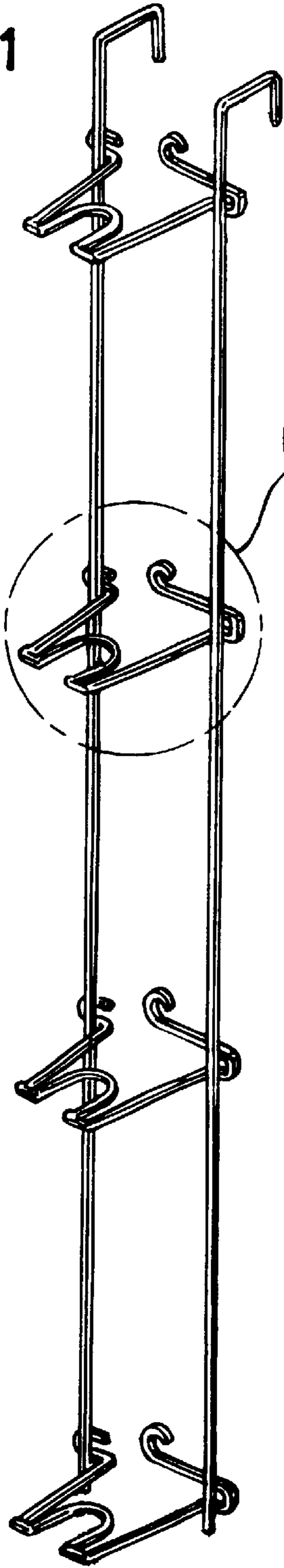


FIG. 8

FIG. 3

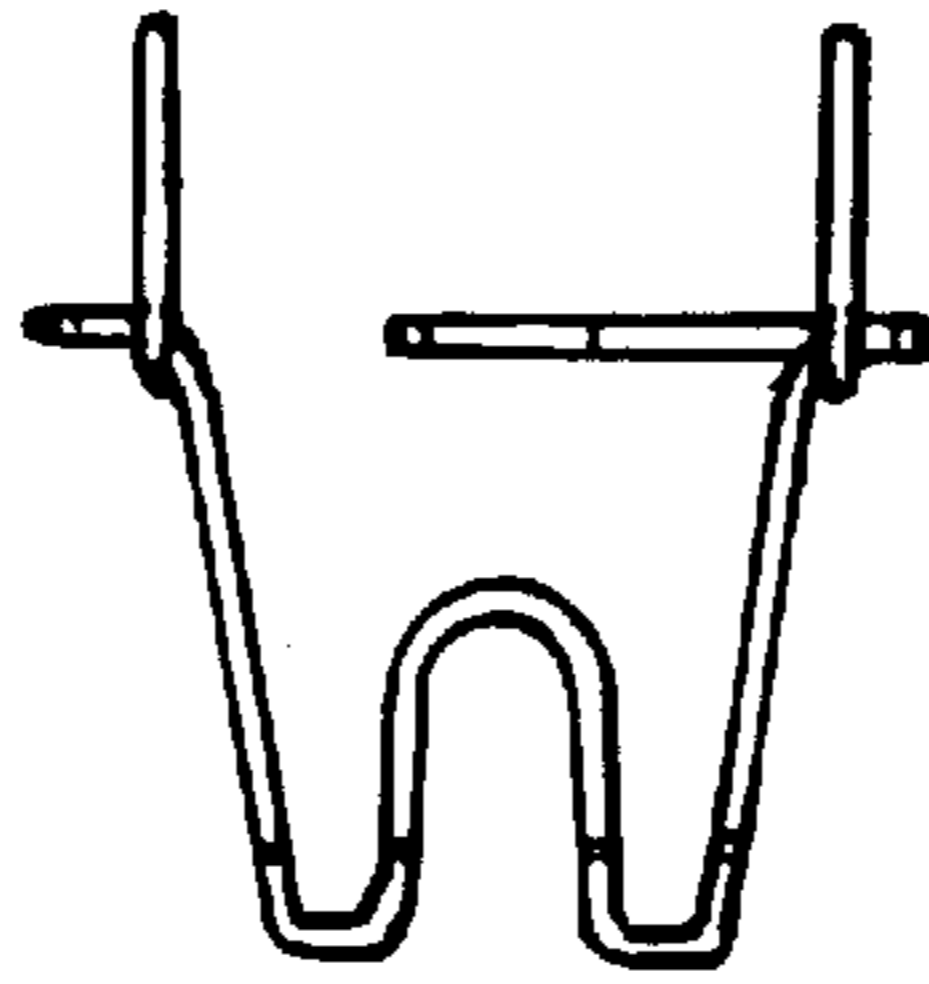


FIG. 4

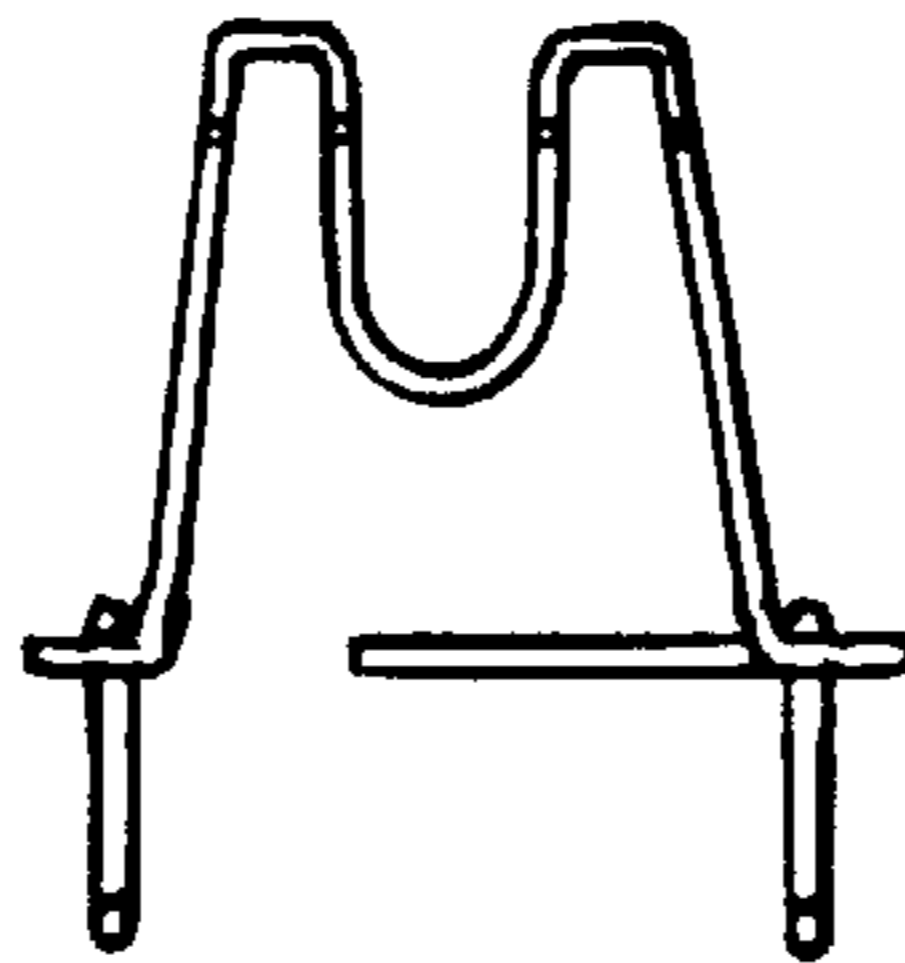


FIG. 2

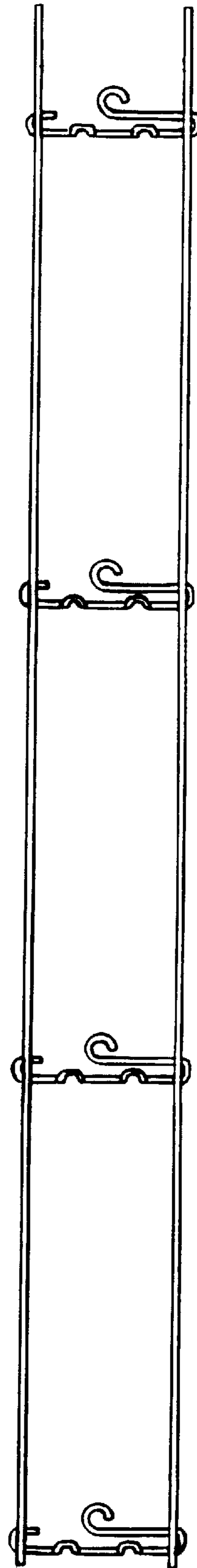


FIG. 5

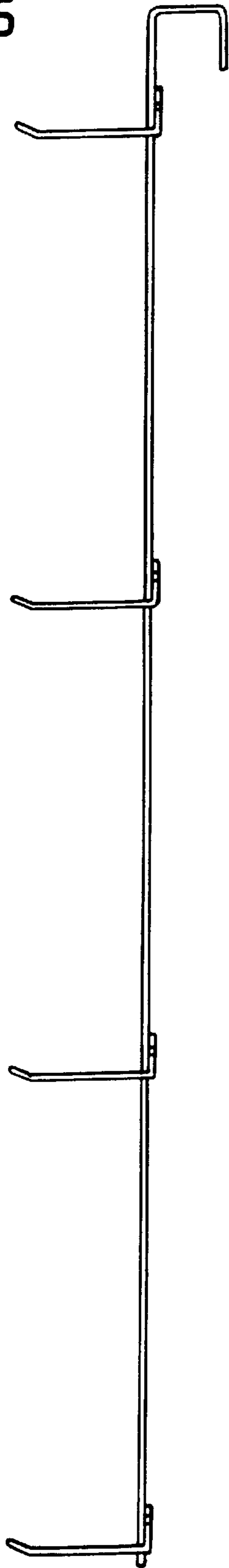


FIG. 6

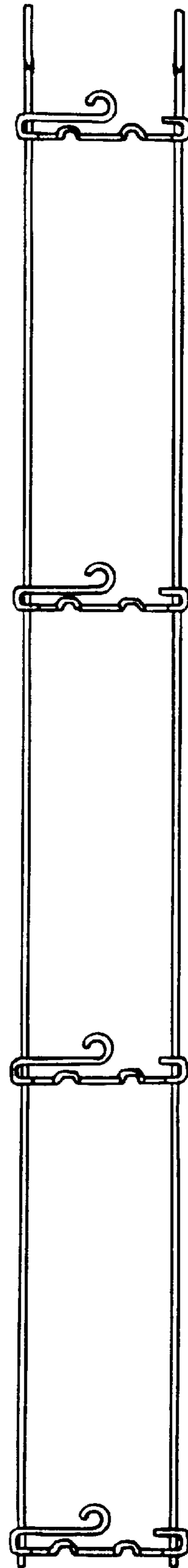


FIG. 7

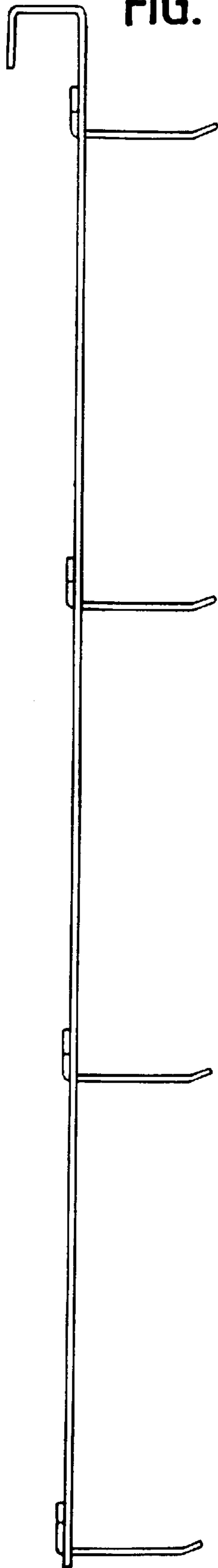


FIG. 8

