



US00D468567S

(12) **United States Design Patent**
Trevett et al.

(10) **Patent No.:** **US D468,567 S**

(45) **Date of Patent:** **** Jan. 14, 2003**

(54) **MOIST WIPES CONTAINER**

(75) Inventors: **Zoe Iris Margaret Trevett**, Hungerford (GB); **Peter Booth**, Marlborough (GB); **Martin Christopher Bunce**, Pewsey (GB)

(73) Assignee: **Kimberly-Clark Limited** (GB)

(**) Term: **14 Years**

(21) Appl. No.: **29/152,571**

(22) Filed: **Dec. 20, 2001**

(30) **Foreign Application Priority Data**

Jun. 20, 2001 (GB) 2102673

(51) **LOC (7) Cl.** **20-02**

(52) **U.S. Cl.** **D6/515**

(58) **Field of Search** D6/515-522, 523;
D9/549; D3/273, 294, 301; 206/389, 409;
221/26, 33, 45, 282, 284

(56) **References Cited**

U.S. PATENT DOCUMENTS

D284,066 S * 6/1986 Civre D9/516 X

D293,058 S * 12/1987 Iwarsson D6/523
5,868,323 A * 2/1999 Cantor D6/518 X
D414,637 S * 10/1999 Amundson et al. D6/518

* cited by examiner

Primary Examiner—Brian N. Vinson

(74) *Attorney, Agent, or Firm*—Brinks Hofer Gilson & Lione

(57) **CLAIM**

The ornamental design for a moist wipes container, as shown and described.

DESCRIPTION

FIG. 1 is a perspective elevational view of a moist wipes container showing the new design with the lid closed.

FIG. 2 is a perspective elevational view thereof with the lid opened.

FIG. 3 is a perspective bottom view thereof.

FIG. 4 is a front view thereof; and,

FIG. 5 is a side view thereof.

1 Claim, 4 Drawing Sheets

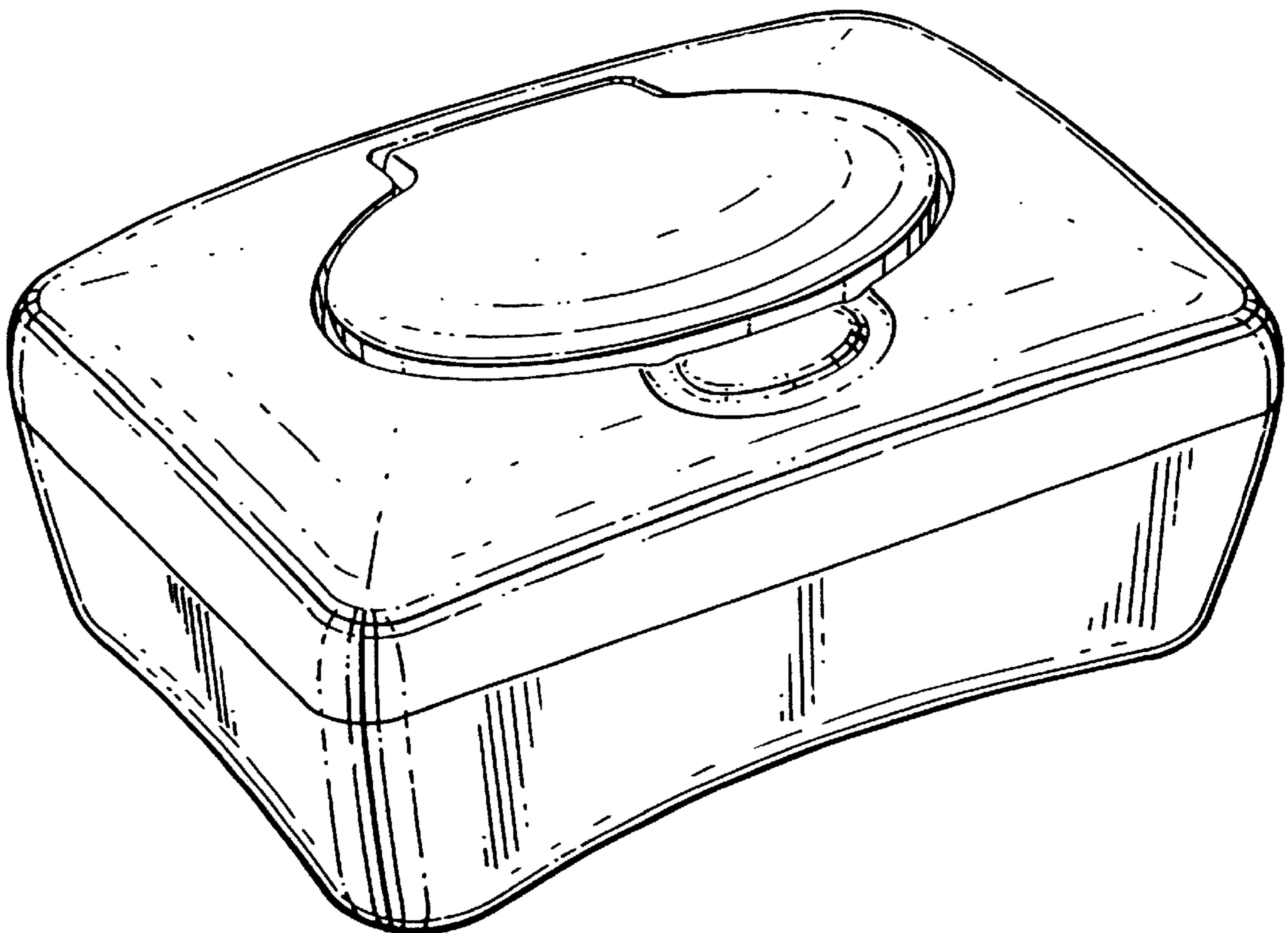
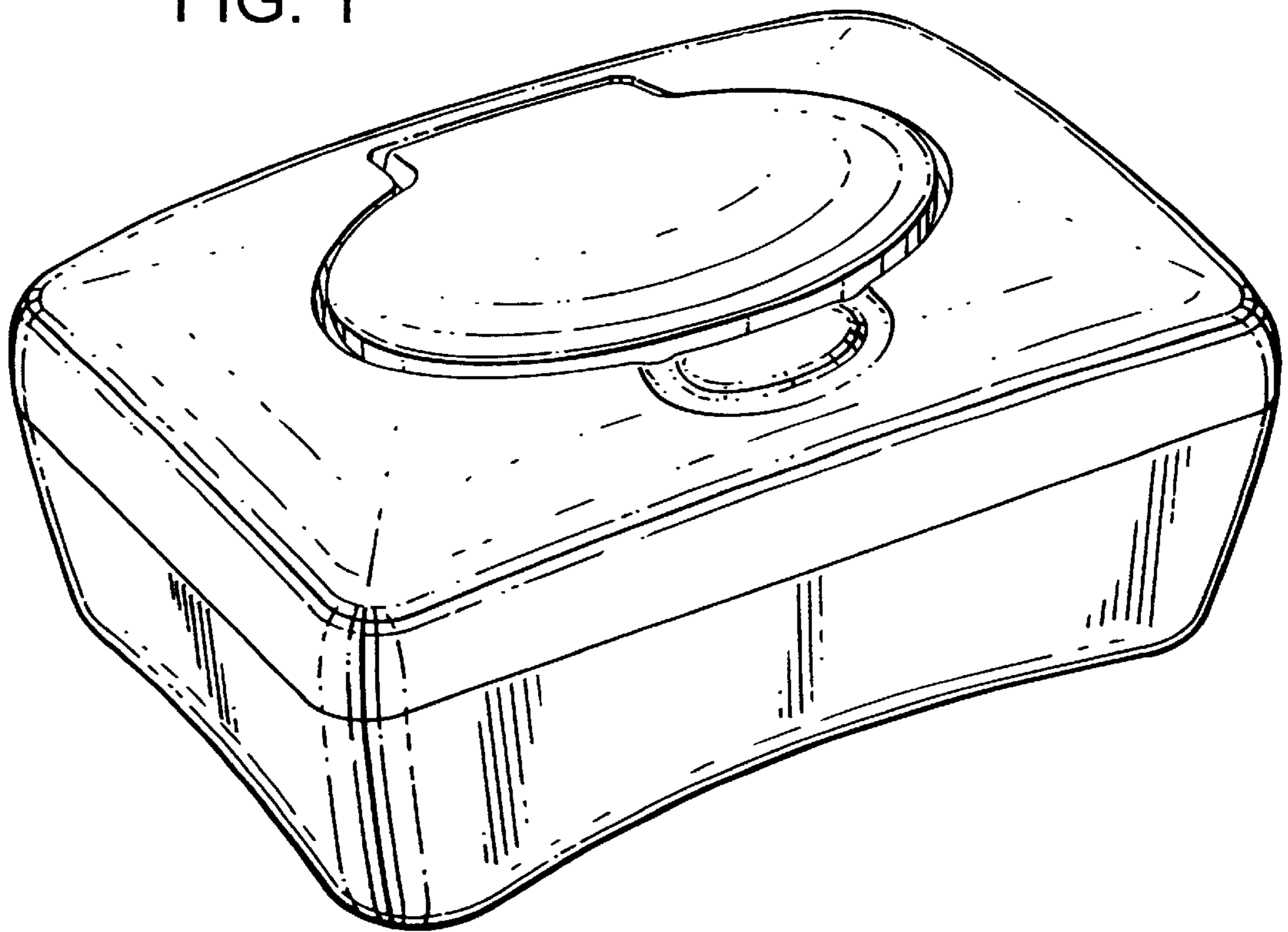


FIG. 1



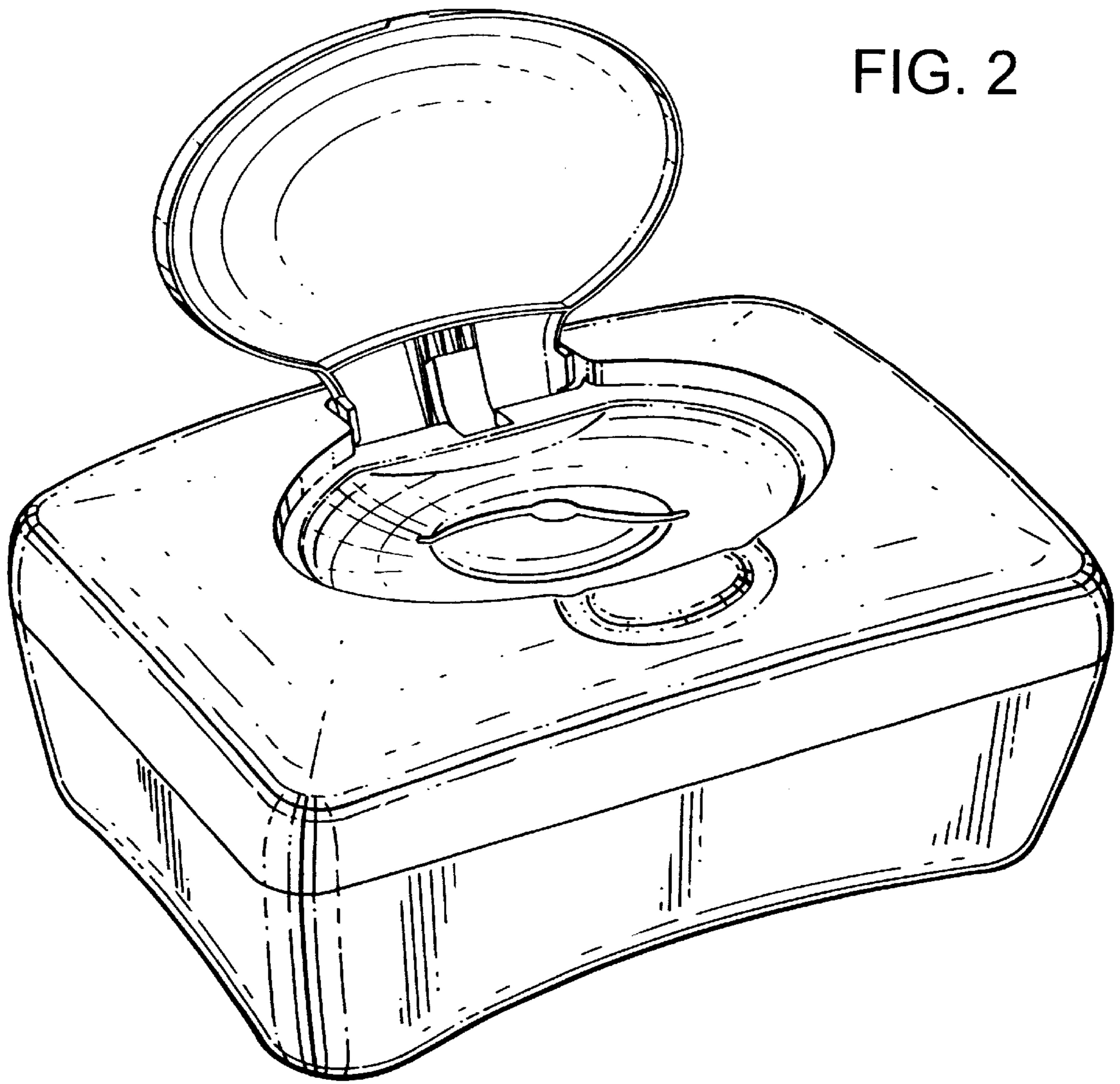


FIG. 2

FIG. 3

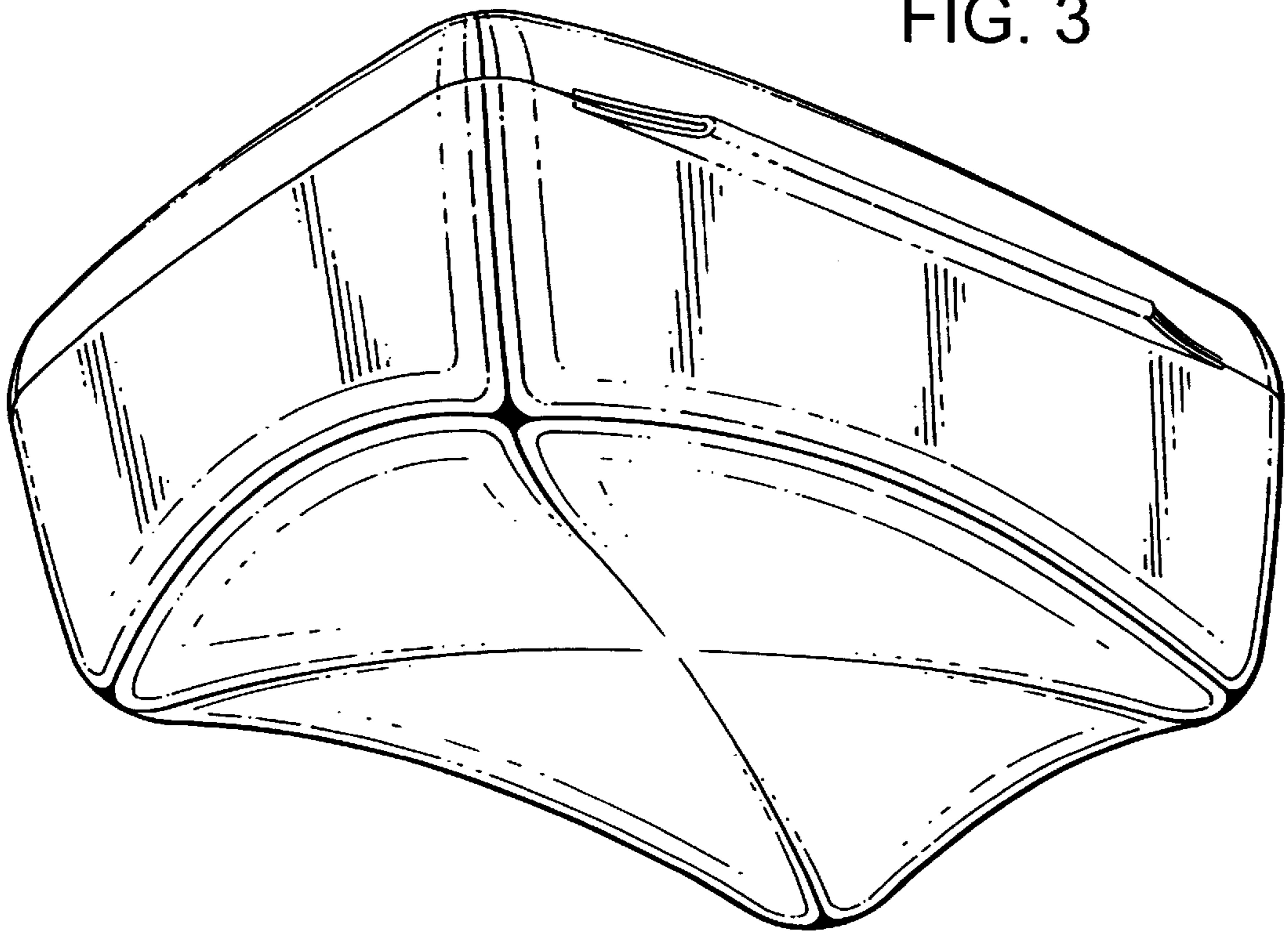


FIG. 4

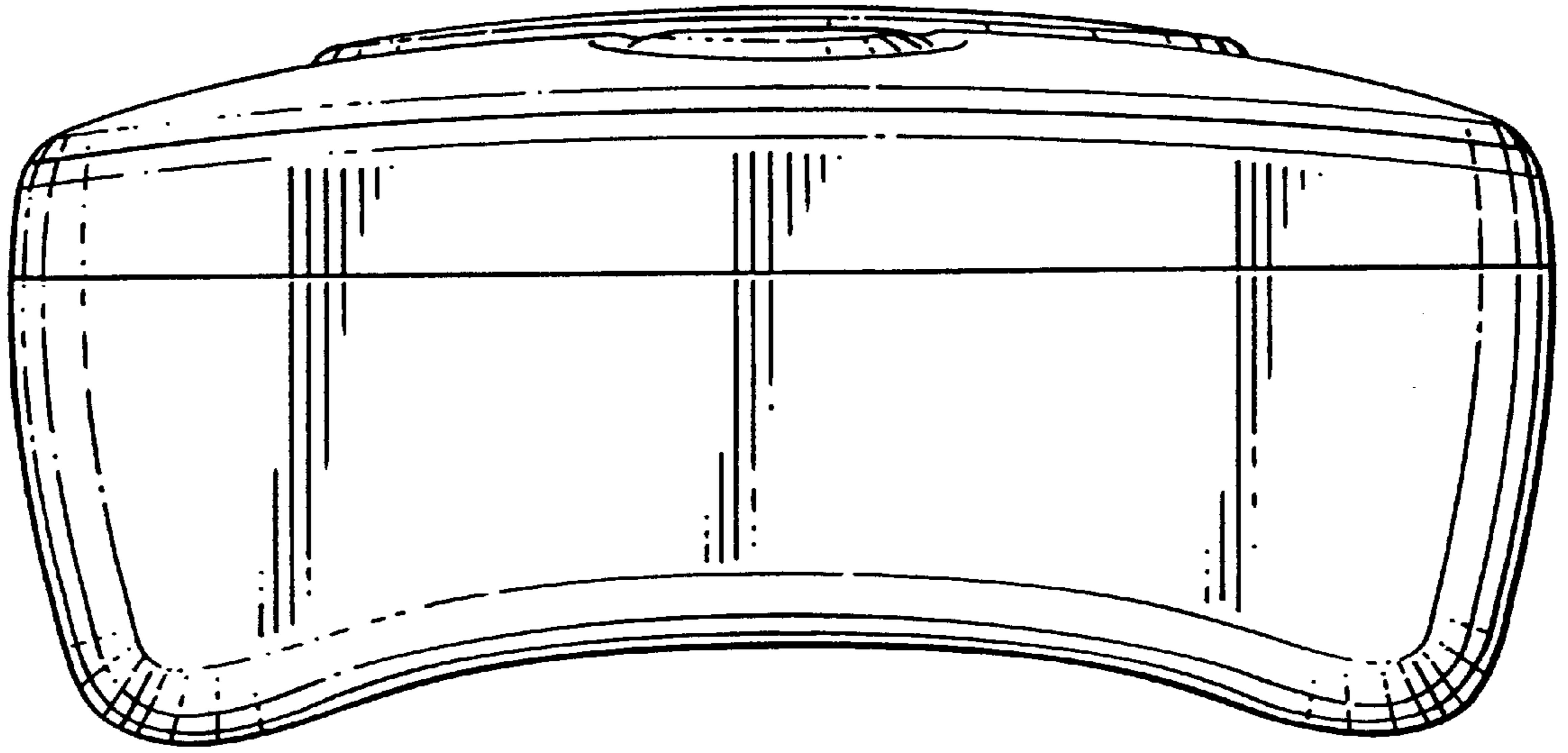


FIG. 5

