



US00D468566S

(12) **United States Design Patent**
Morris

(10) **Patent No.:** **US D468,566 S**

(45) **Date of Patent:** **** Jan. 14, 2003**

(54) **TABLE TOP**

D416,151 S * 11/1999 Grosfillex D6/511

(76) **Inventor:** **Gary W. Morris**, 235 Bret Hart Ct.,
Santa Clara, CA (US) 95050

* cited by examiner

(**) **Term:** **14 Years**

Primary Examiner—Janice E. Seeger

(74) *Attorney, Agent, or Firm*—John P. Wooldridge

(21) **Appl. No.:** **29/148,471**

(57) **CLAIM**

(22) **Filed:** **Sep. 18, 2001**

The ornamental design for a table top, as shown and described.

(51) **LOC (7) Cl.** **06-06**

(52) **U.S. Cl.** **D6/511; D6/429**

(58) **Field of Search** D6/480–489, 495–499,
D6/429, 430, 511, 406.6; 108/151, 153.1,
156, 157.1, 161, 25, 26.1, 157.15

DESCRIPTION

FIG. 1 is a perspective view of a table top showing my new design. The legs are shown in broken lines for illustrative purposes only and form no part of the claimed design.

FIG. 2 is a top view thereof.

FIG. 3 is a bottom perspective view; and,

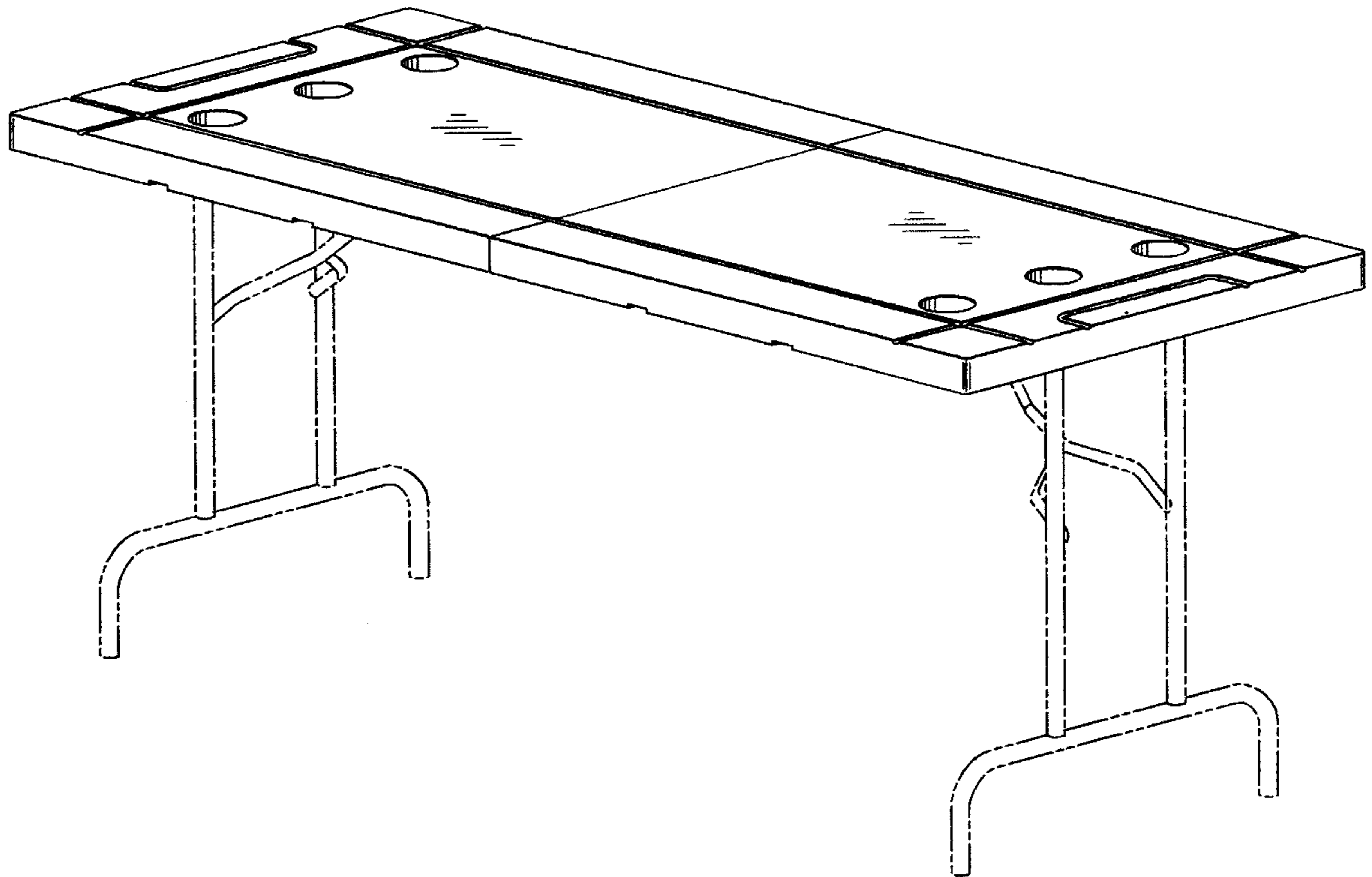
FIG. 4 is a perspective view showing the table top in folded condition.

(56) **References Cited**

U.S. PATENT DOCUMENTS

- 2,719,717 A * 10/1955 Verity D6/480
- D203,198 S * 12/1965 Schultz D6/484
- D414,966 S * 10/1999 Patel et al. D6/511

1 Claim, 4 Drawing Sheets



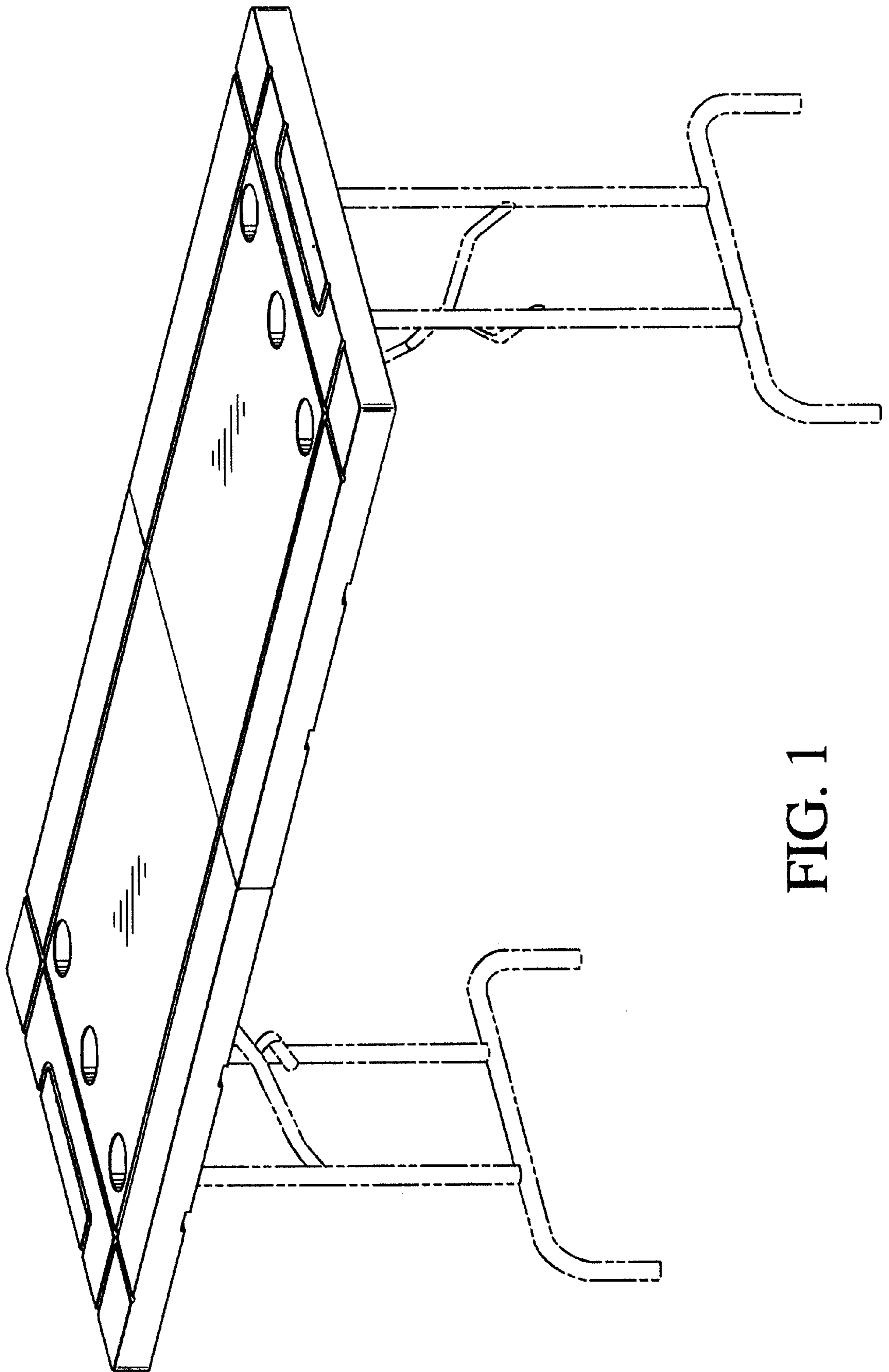


FIG. 1

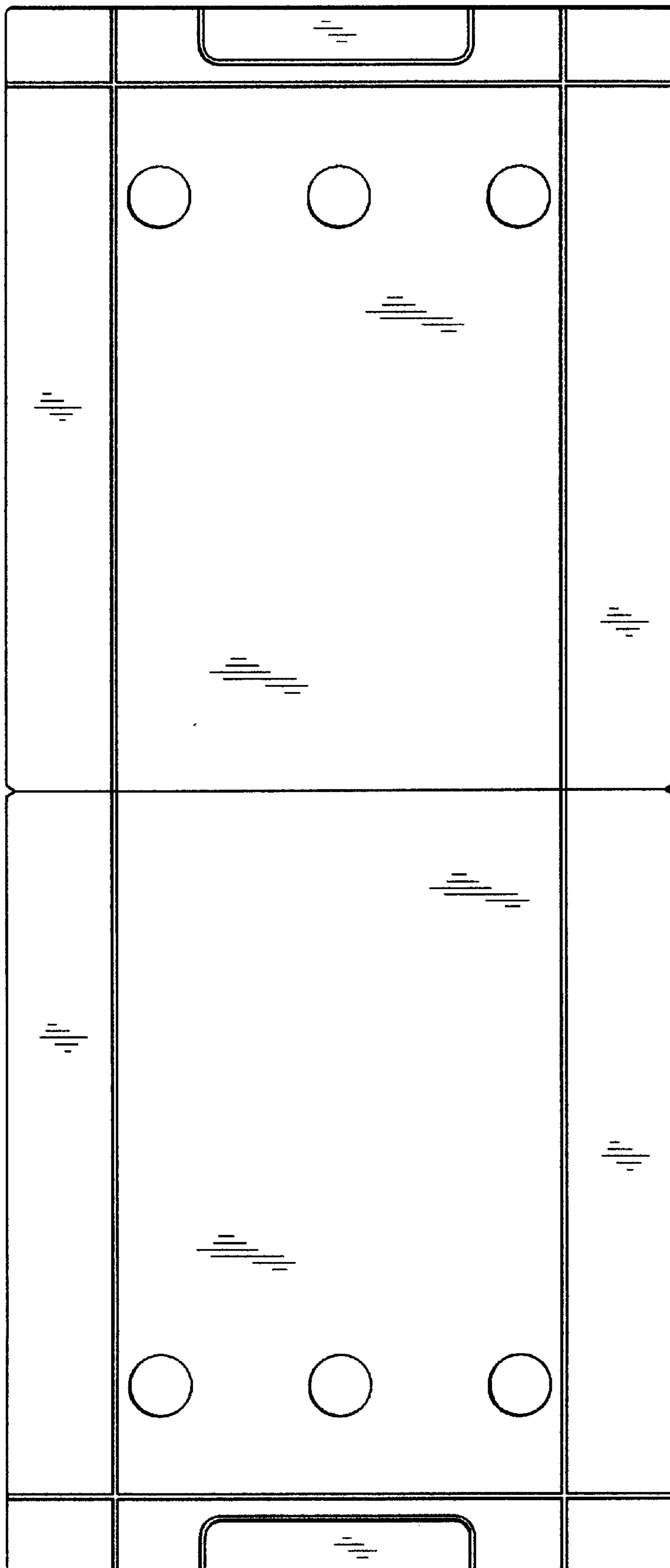


FIG. 2

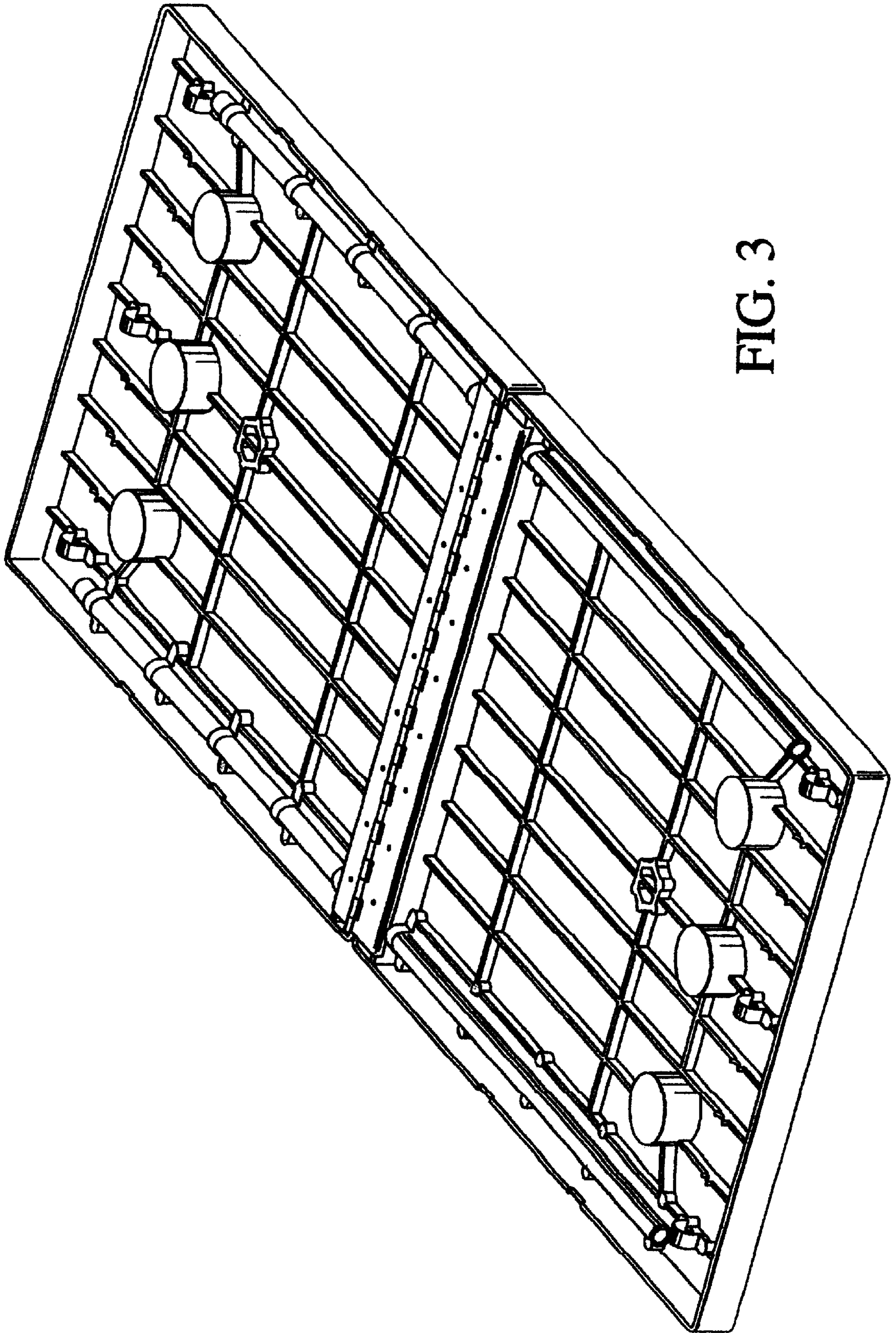


FIG. 3

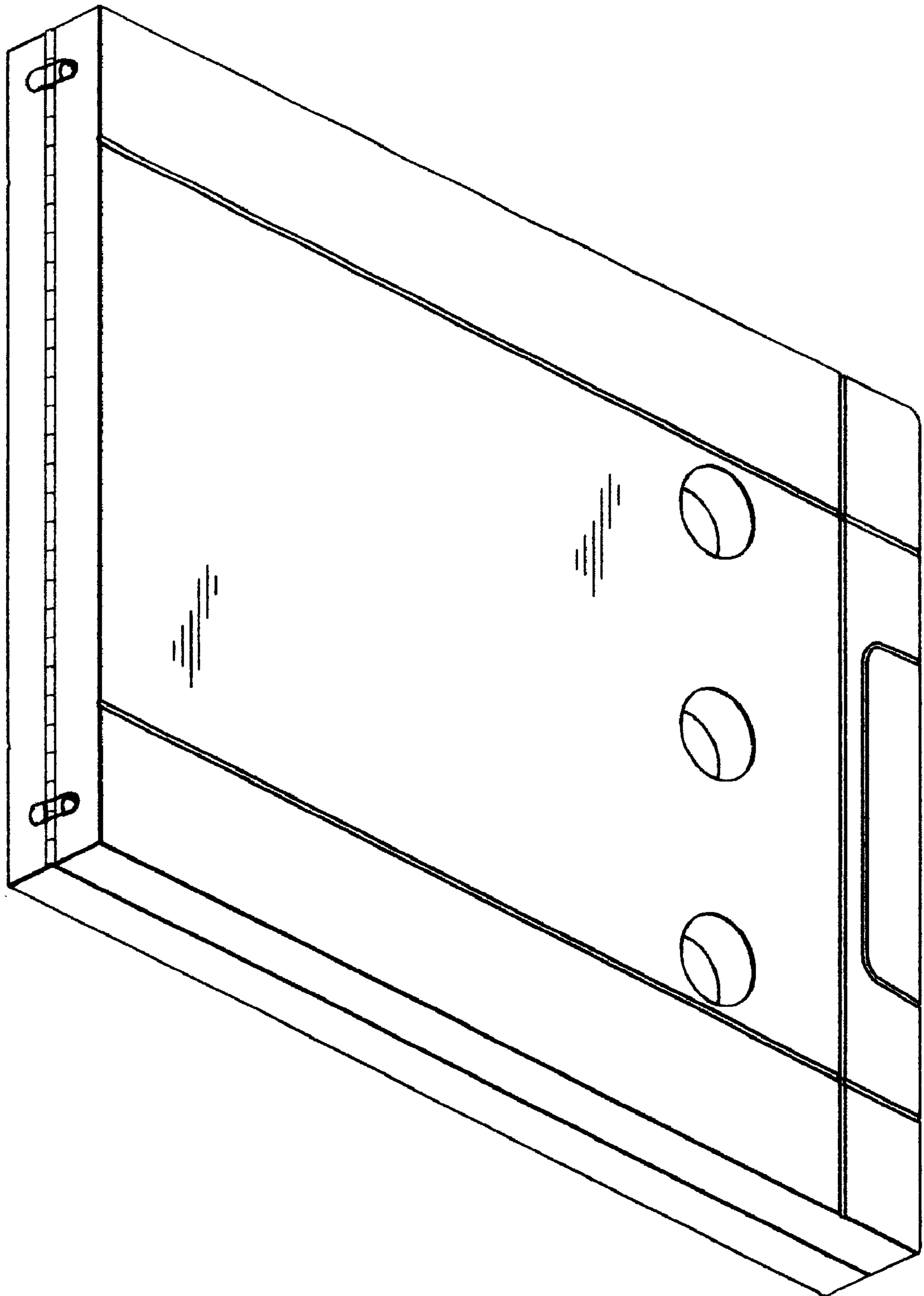


FIG. 4