



US00D468564S

(12) **United States Design Patent**
Piretti et al.

(10) **Patent No.:** **US D468,564 S**

(45) **Date of Patent:** **** Jan. 14, 2003**

(54) **TASK CHAIR**

(75) Inventors: **Giancarlo Piretti**, Bologna (IT); **Jason S. Lind**, Green Bay, WI (US)

(73) Assignee: **Pro.Cord S.p.A.**, Bologna (IT)

(**) Term: **14 Years**

(21) Appl. No.: **29/124,741**

(22) Filed: **Jun. 9, 2000**

(51) **LOC (7) Cl.** **06-06**

(52) **U.S. Cl.** **D6/500; D6/366**

(58) **Field of Search** D6/334, 335, 364,
D6/365, 366, 367, 500, 501, 502; 297/411.2,
411.27, 411.36

(56) **References Cited**

U.S. PATENT DOCUMENTS

D305,284 S	1/1990	Piretti	
D325,824 S	5/1992	Piretti	
D326,783 S	6/1992	Piretti	
D328,822 S	8/1992	Piretti	
D349,621 S	* 8/1994	Wilson	D6/501
D367,980 S	* 3/1996	Hodge et al.	D6/500
D368,380 S	* 4/1996	Olson et al.	D6/366
D390,712 S	* 2/1998	Koepke et al.	D6/366
D398,464 S	* 9/1998	Cronk	D6/500
D401,076 S	* 11/1998	Crinion	D6/366
D401,771 S	* 12/1998	Goodworth et al.	D6/366
D405,618 S	* 2/1999	Reutepohler et al.	D6/366
D406,710 S	* 3/1999	Holstensson	D6/501
D407,246 S	* 3/1999	Stumpf	D6/501
D407,911 S	* 4/1999	Bräuning	D6/366
D410,808 S	6/1999	Baumann et al.	
D411,396 S	* 6/1999	Stumpf	D6/501
5,921,630 A	* 7/1999	Cassaday	297/411.36 X
D416,407 S	11/1999	Baumann et al.	
D417,101 S	* 11/1999	DeSanta et al.	D6/500

D417,793 S	* 12/1999	Ritch et al.	D6/366
D436,259 S	* 1/2001	Nagamitsu	D6/366
D436,768 S	* 1/2001	Jenkins et al.	D6/500

FOREIGN PATENT DOCUMENTS

XH DMA/004 150 5/1998

OTHER PUBLICATIONS

“Precedence” Brochure KI-00241/BD/IS/IT/PP/1097, Krueger International, Inc., 1330 Bellevue Street, Green Bay, WI 54302, 1997.

“Piretti 2000 Seating” Brochure KI-00018/PP195, Krueger International, Inc. 1330 Bellevue Street, Green Bay, WI 54308-8100, 1995.

“Office Seating—The Piretti Collection” Brochure CN-07152/PP491, Krueger International, Inc. 1330 Bellevue Street, Green Bay, WI 54302, undated.

* cited by examiner

Primary Examiner—Gary D. Watson

(74) *Attorney, Agent, or Firm*—Boyle, Fredrickson, Newholm, Stein & Gratz, S.C.

(57) **CLAIM**

The ornamental design for a task chair, as shown and described.

DESCRIPTION

FIG. 1 is a front elevation view of a task chair incorporating my new design;

FIG. 2 is a rear elevation view thereof;

FIG. 3 is a left side elevation view thereof, the right side elevation view being a mirror image; and,

FIG. 4 is a bottom plan view thereof.

The broken lines shown are for illustrative purposes only and form no part of the claimed design.

1 Claim, 2 Drawing Sheets

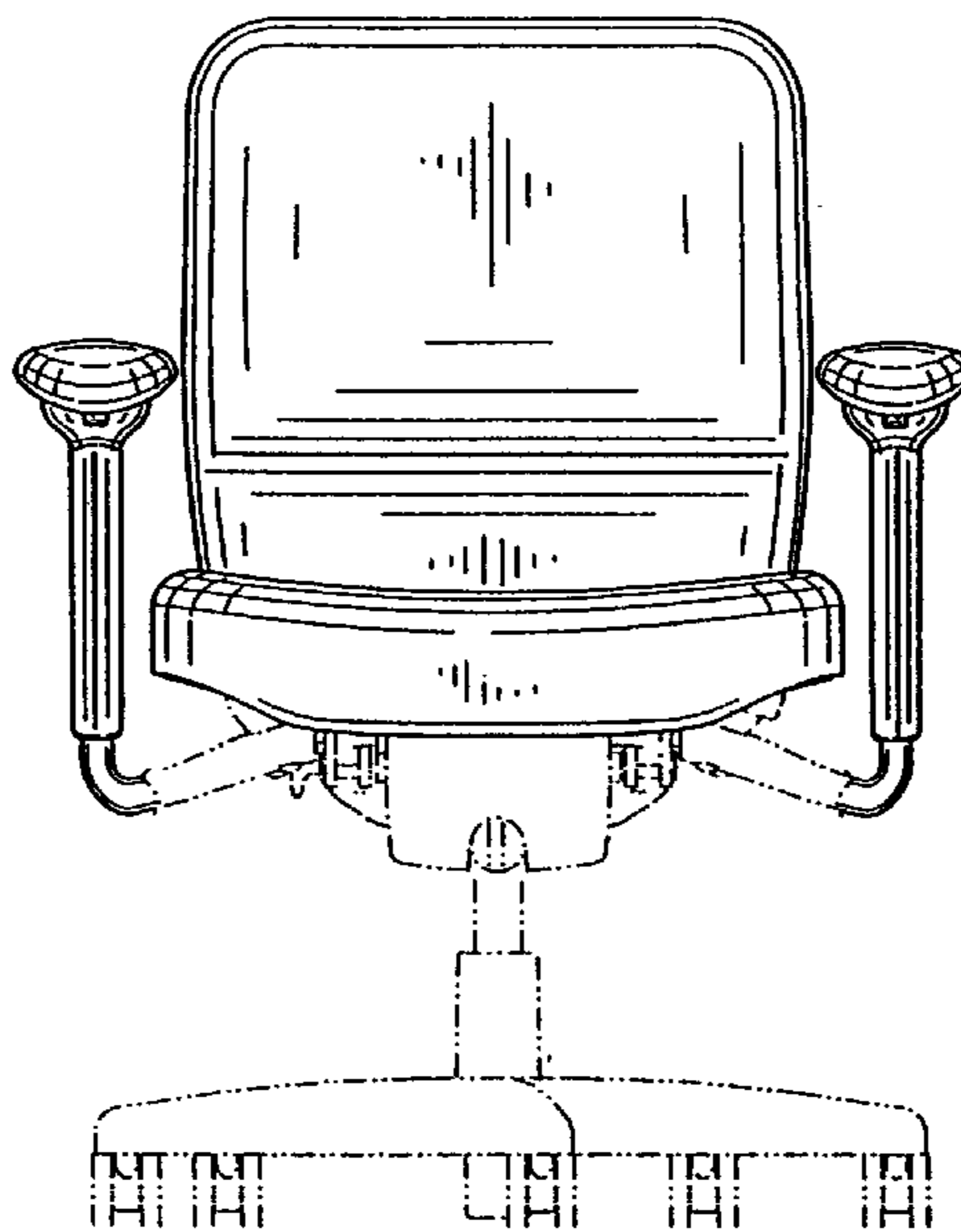


FIG. 1

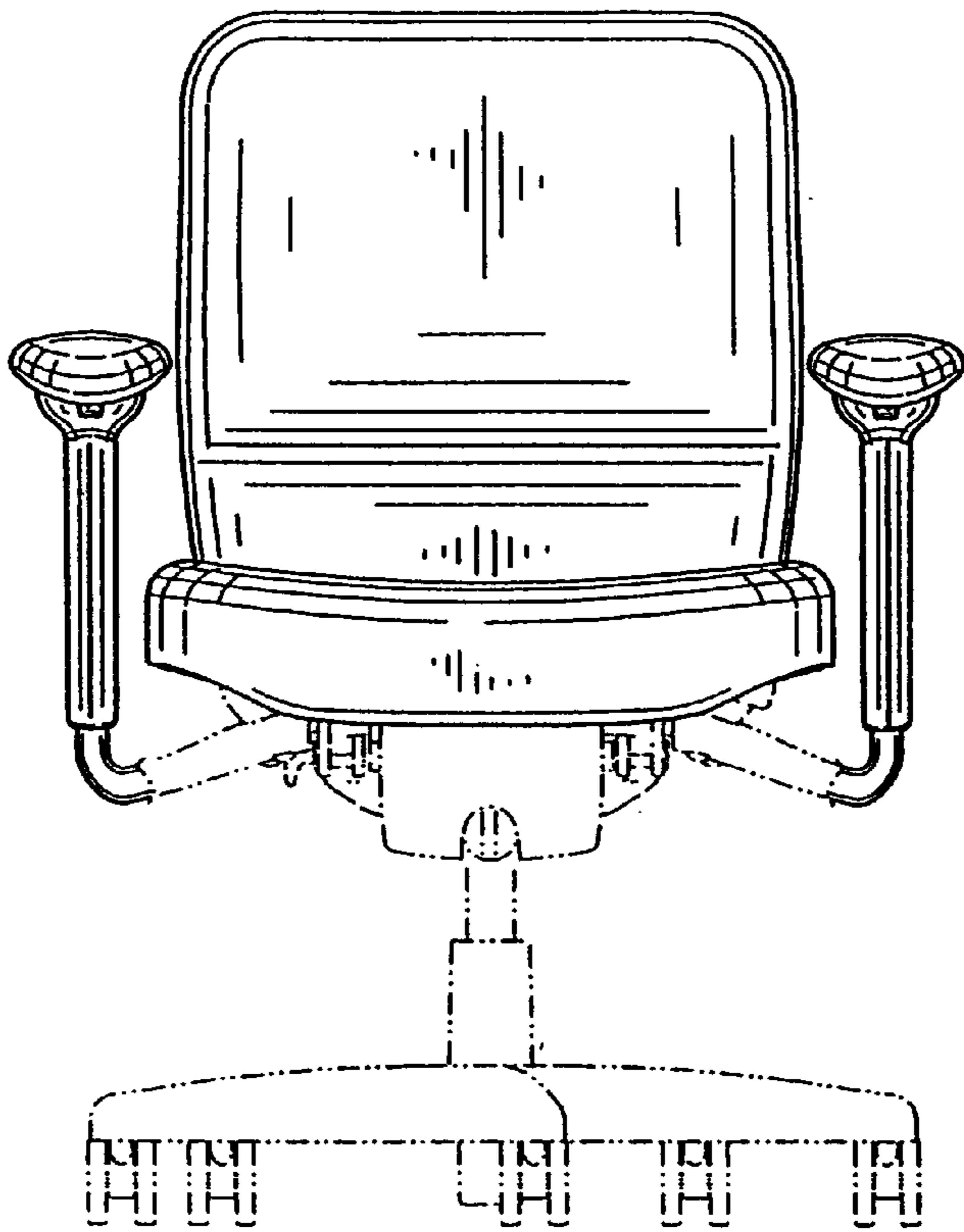


FIG. 2

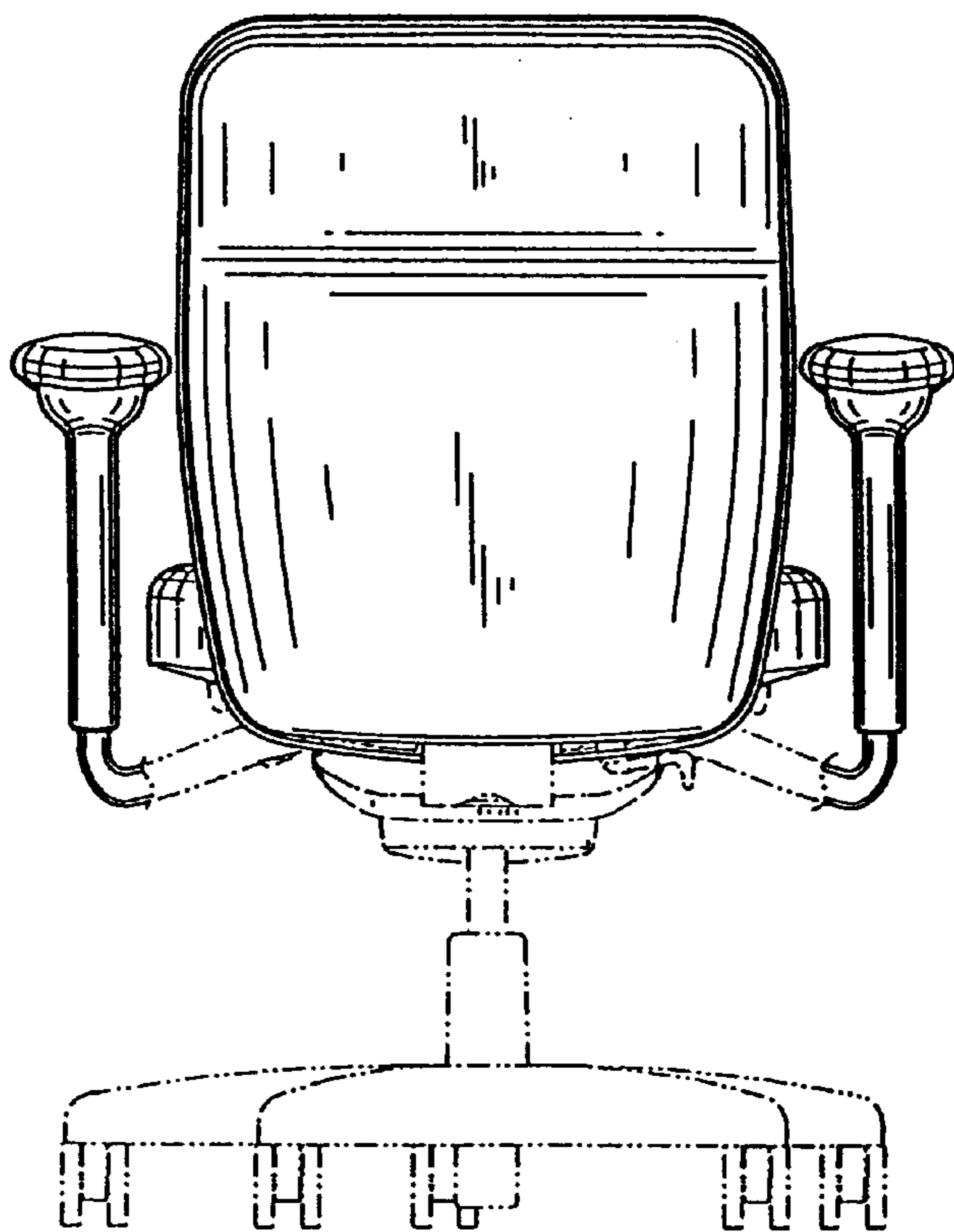


FIG. 3

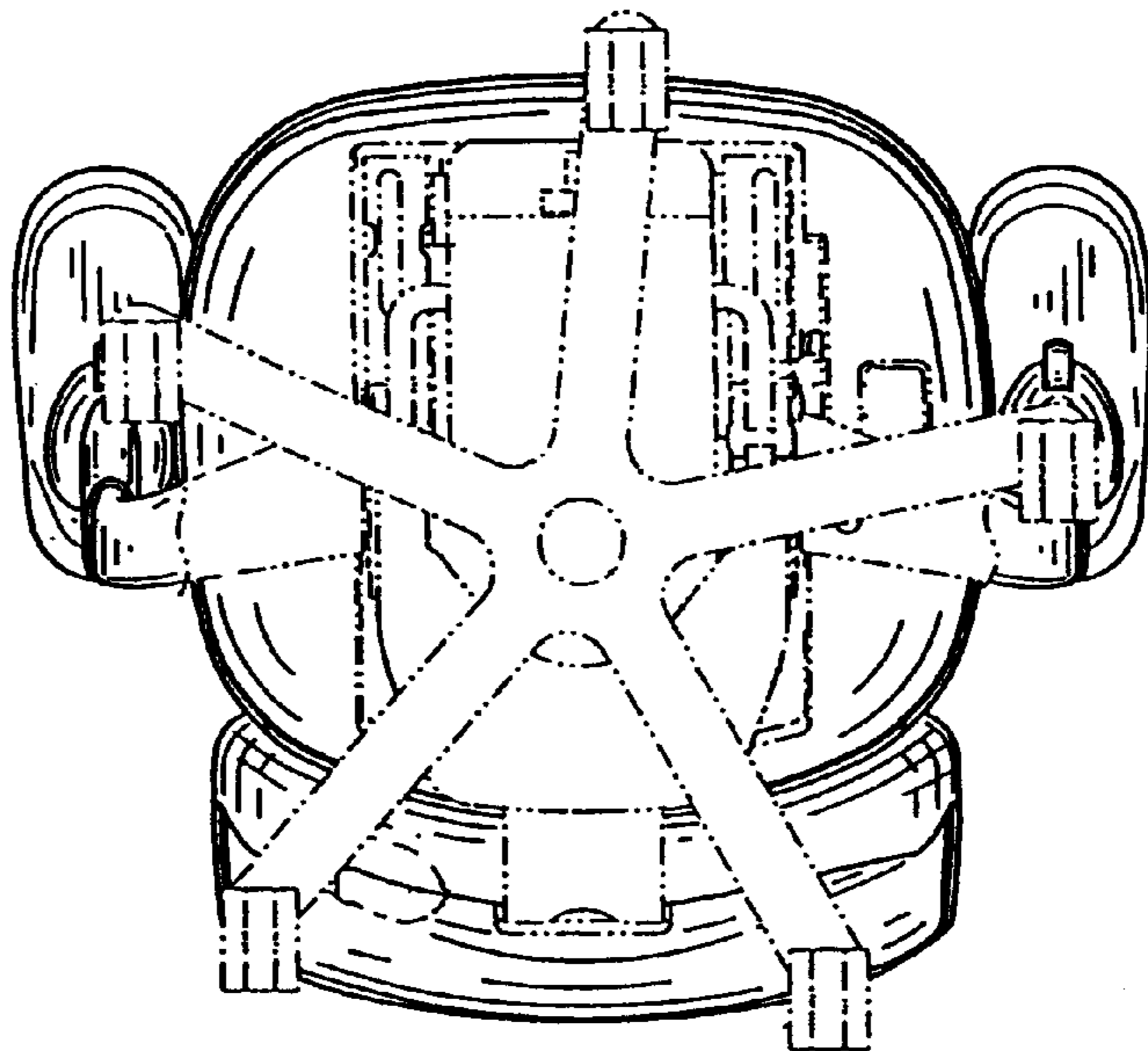
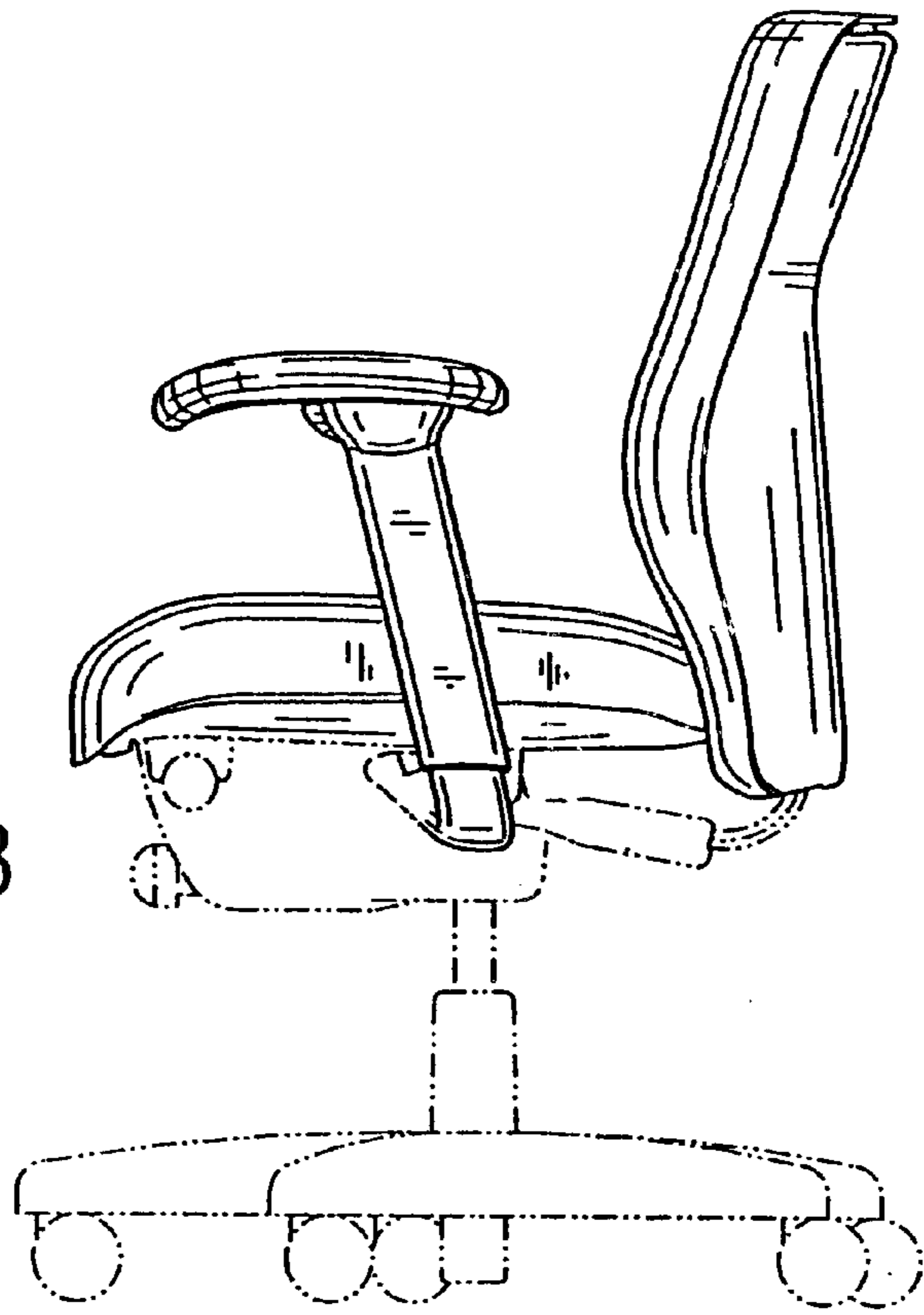


FIG. 4