



US00D468562S

(12) **United States Design Patent**
Chang

(10) **Patent No.:** **US D468,562 S**

(45) **Date of Patent:** **** Jan. 14, 2003**

(54) **2-TIER TABLE**

D275,535 S * 9/1984 Kola D6/405
D295,591 S * 5/1988 Beall, Jr. D6/430

(75) **Inventor:** **Do Won Chang**, Beverly Hills, CA
(US)

* cited by examiner

(73) **Assignee:** **Fashion 21, Inc.**, Los Angeles, CA
(US)

Primary Examiner—Janice E. Seeger
(74) *Attorney, Agent, or Firm*—Stetina Brunda Garred &
Brucker

(**) **Term:** **14 Years**

(21) **Appl. No.:** **29/152,288**

(57) **CLAIM**

(22) **Filed:** **Dec. 13, 2001**

The ornamental design for a 2-tier table, as shown and described.

(51) **LOC (7) Cl.** **06-06**

(52) **U.S. Cl.** **D6/495; D6/484; D6/477**

(58) **Field of Search** D6/480–489, 495–499,
D6/429–431, 436, 477, 476, 478; 108/153.1,
155, 156, 157.1, 161, 92, 64, 61; 248/188,
188.1, 188.8

DESCRIPTION

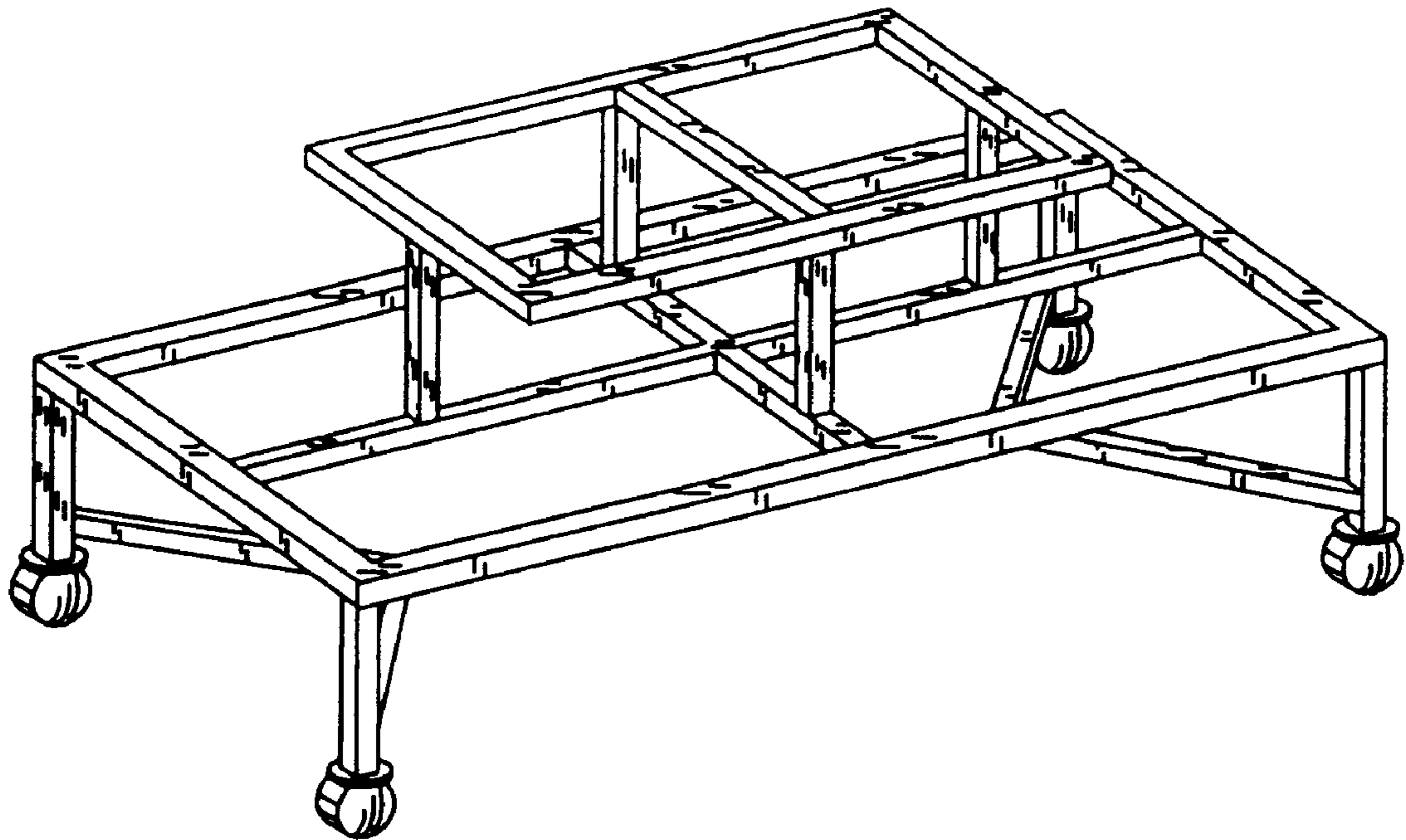
FIG. 1 is a front perspective view of the 2-tier table;
FIG. 2 is a top view of the table;
FIG. 3 is a side view of the table; and,
FIG. 4 is an end view of the table.

(56) **References Cited**

U.S. PATENT DOCUMENTS

D174,030 S * 2/1955 French et al. D6/483

1 Claim, 1 Drawing Sheet



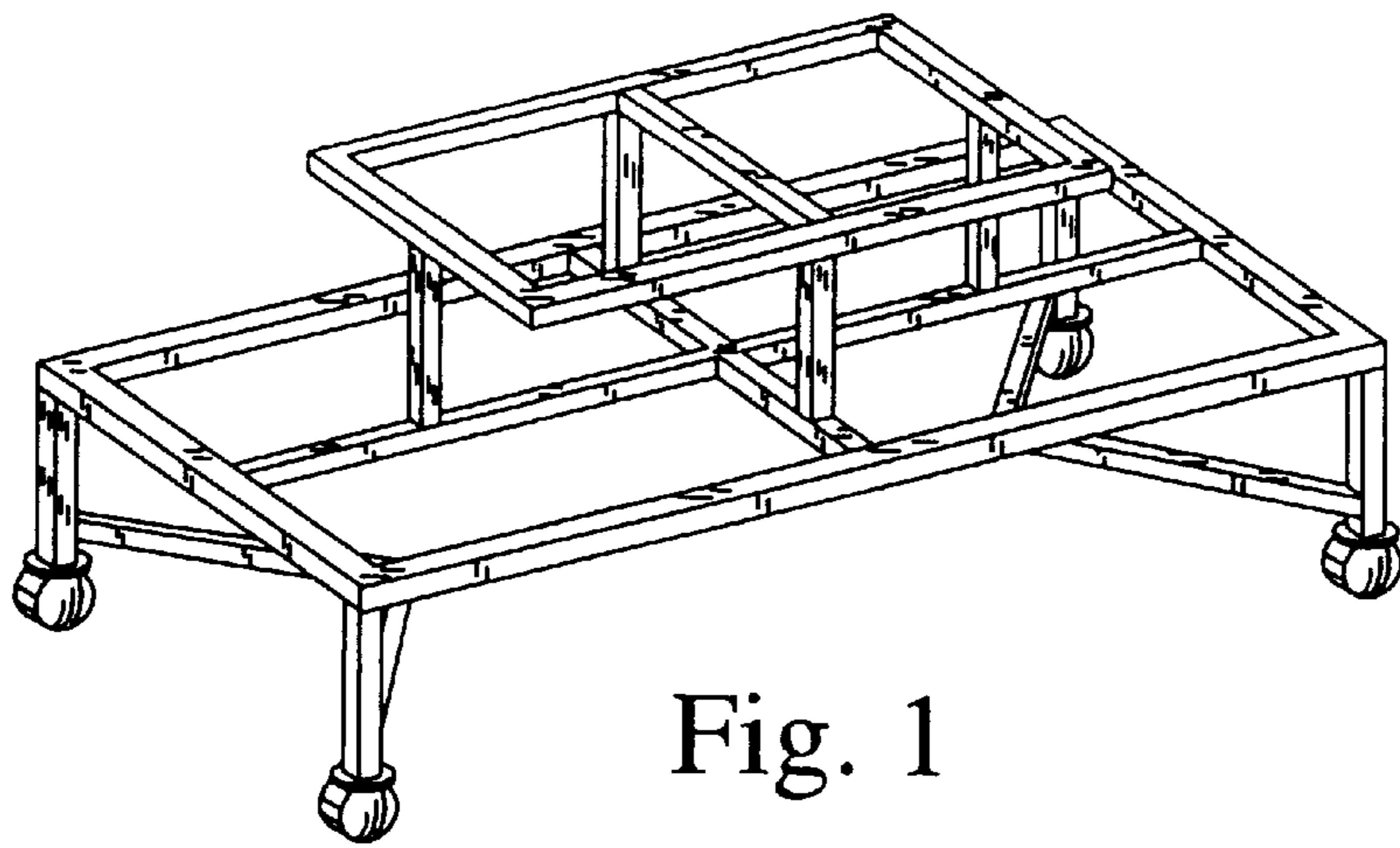


Fig. 1

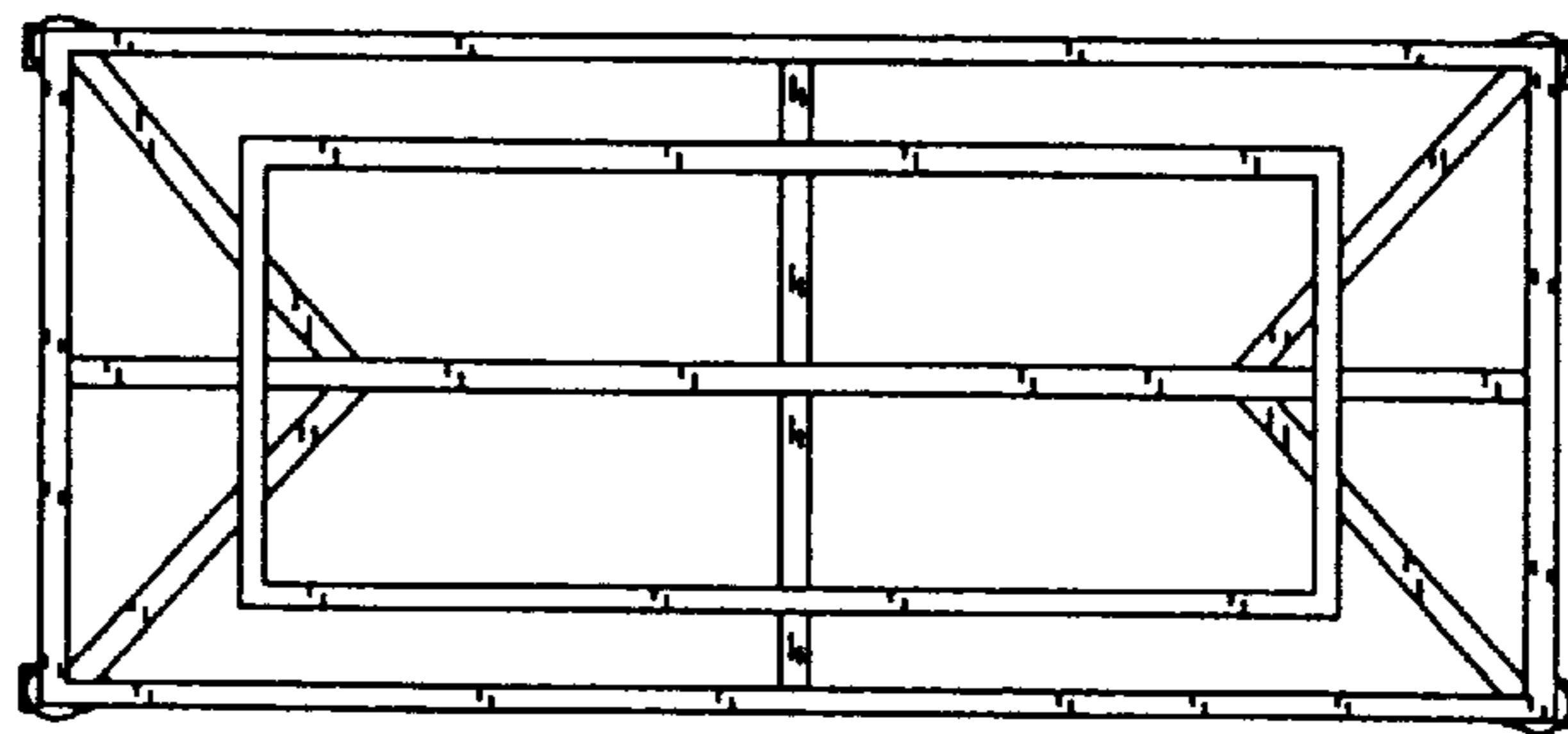


Fig. 2

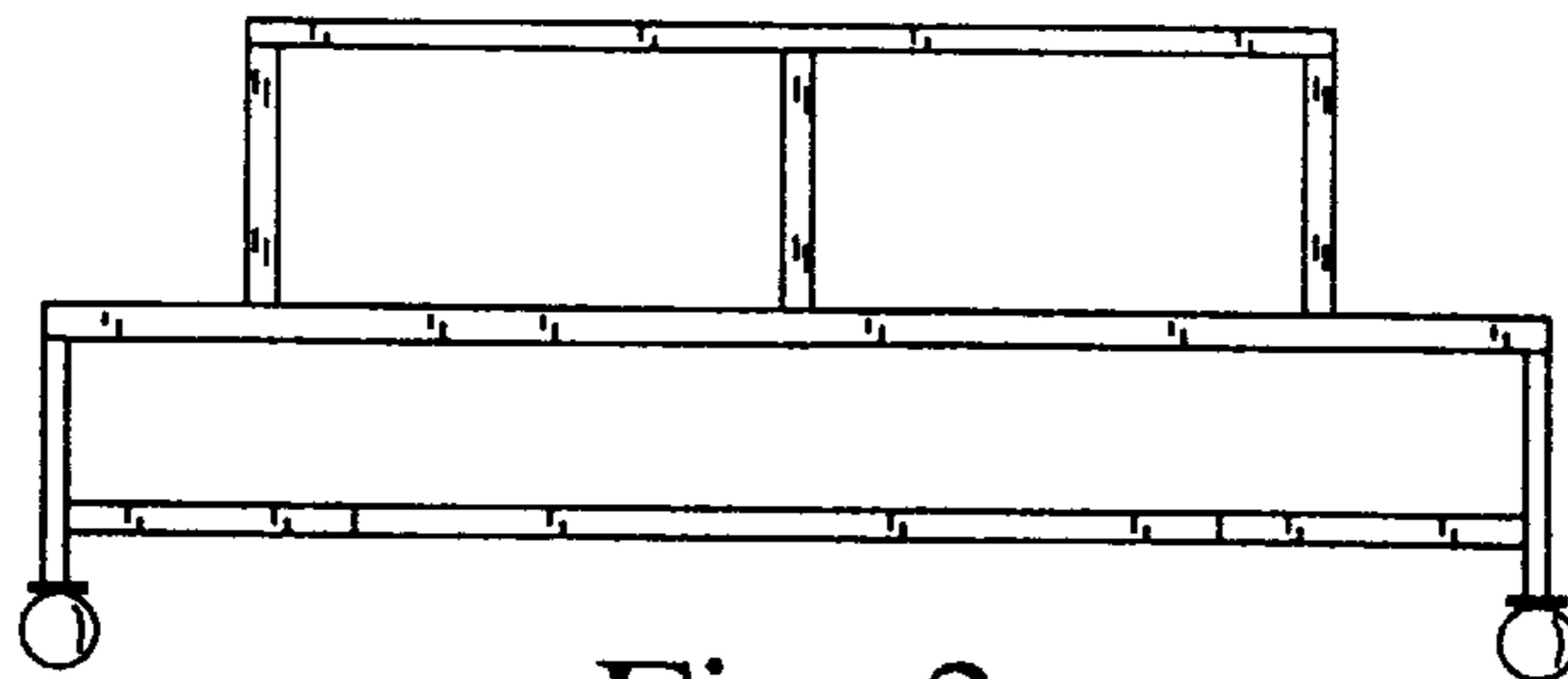


Fig. 3

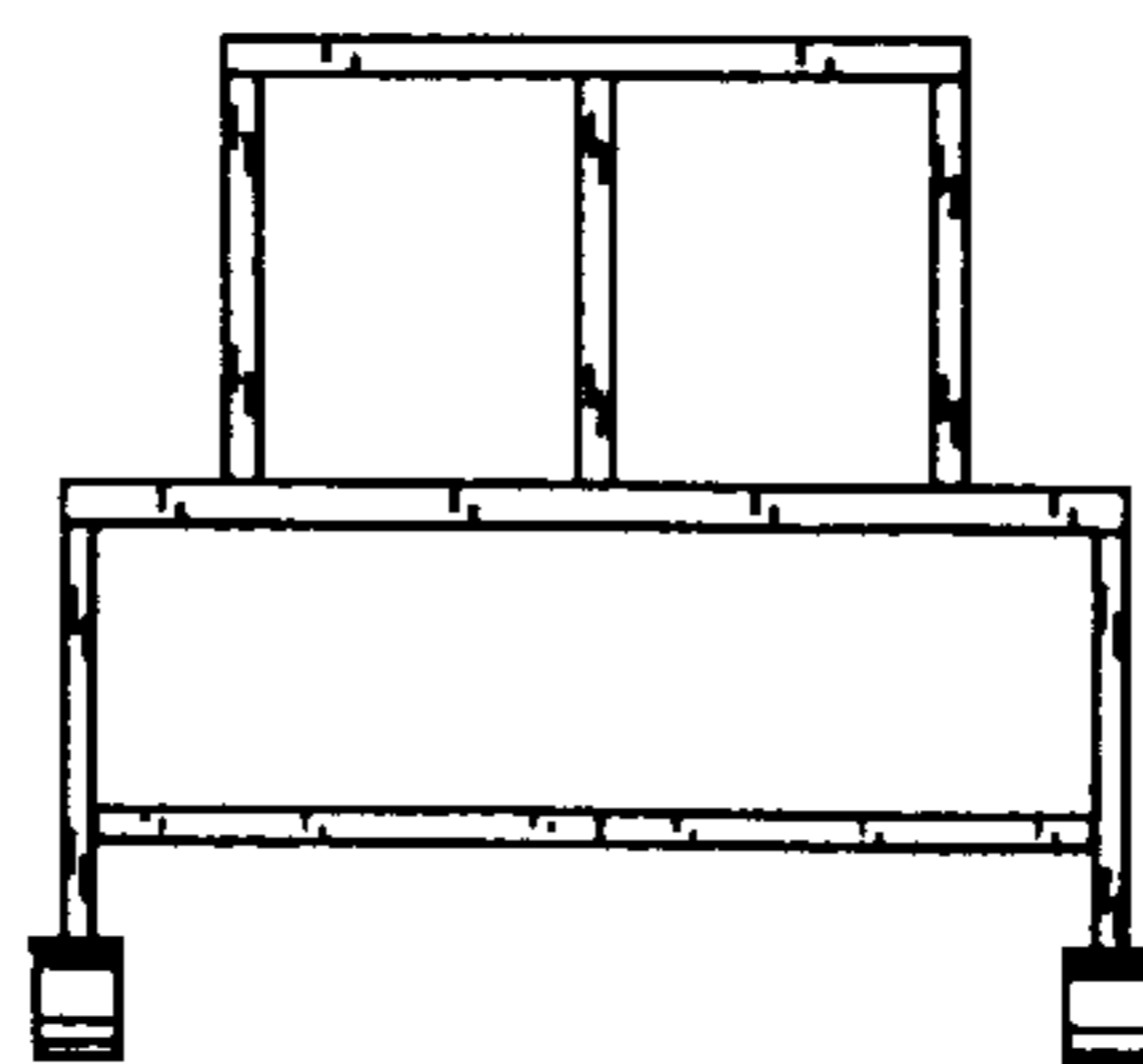


Fig. 4