



US00D468555S

(12) **United States Design Patent**
Romaen et al.

(10) **Patent No.:** **US D468,555 S**
(45) **Date of Patent:** **** Jan. 14, 2003**

(54) **WEAPON STORAGE CABINET**

(75) Inventors: **Andrew Romaen**, Chicago, IL (US);
Edwin Dizon Manalang, Burbank, IL (US)

(73) Assignee: **Homak Manufacturing Co., Inc.**,
Bedford Park, IL (US)

(**) Term: **14 Years**

(21) Appl. No.: **29/135,415**

(22) Filed: **Jan. 11, 2001**

(51) **LOC (7) Cl.** **06-04**

(52) **U.S. Cl.** **D6/440; D6/432**

(58) **Field of Search** D6/396, 432, 436,
D6/440, 445, 446, 448, 552; D3/262; D22/108;
D13/184; 211/64; 312/107, 204, 213, 284

(56) **References Cited**

U.S. PATENT DOCUMENTS

- D238,052 S * 12/1975 Boris D6/509
- D252,125 S * 6/1979 Oakley et al. D6/432
- D252,430 S * 7/1979 Oakley et al. D6/432
- D306,338 S * 2/1990 Rempe et al. D23/207

- D306,665 S * 3/1990 Wright D6/440
- D324,965 S * 3/1992 Nelsen D6/448
- D327,793 S * 7/1992 McGrory D6/448
- D340,700 S * 10/1993 Shukur et al. D13/184
- D379,004 S * 4/1997 Keijser et al. D13/184
- D390,835 S * 2/1998 Mayfield, III D13/184
- D397,997 S * 9/1998 Cozzolino et al. D14/102
- D427,454 S * 7/2000 Munch et al. D6/448

* cited by examiner

Primary Examiner—Cathron C. Brooks

(74) *Attorney, Agent, or Firm*—Fitch, Even, Tabin, & Flannery

(57) **CLAIM**

The ornamental design for the weapon storage cabinet, as shown and described.

DESCRIPTION

FIG. 1 is a perspective view of a weapon storage cabinet with an open access door showing our new design;
FIG. 2 is a top plan view thereof;
FIG. 3 is a side elevational view thereof;
FIG. 4 is a front elevational view thereof; and,
FIG. 5 is a rear elevational view thereof.

1 Claim, 5 Drawing Sheets

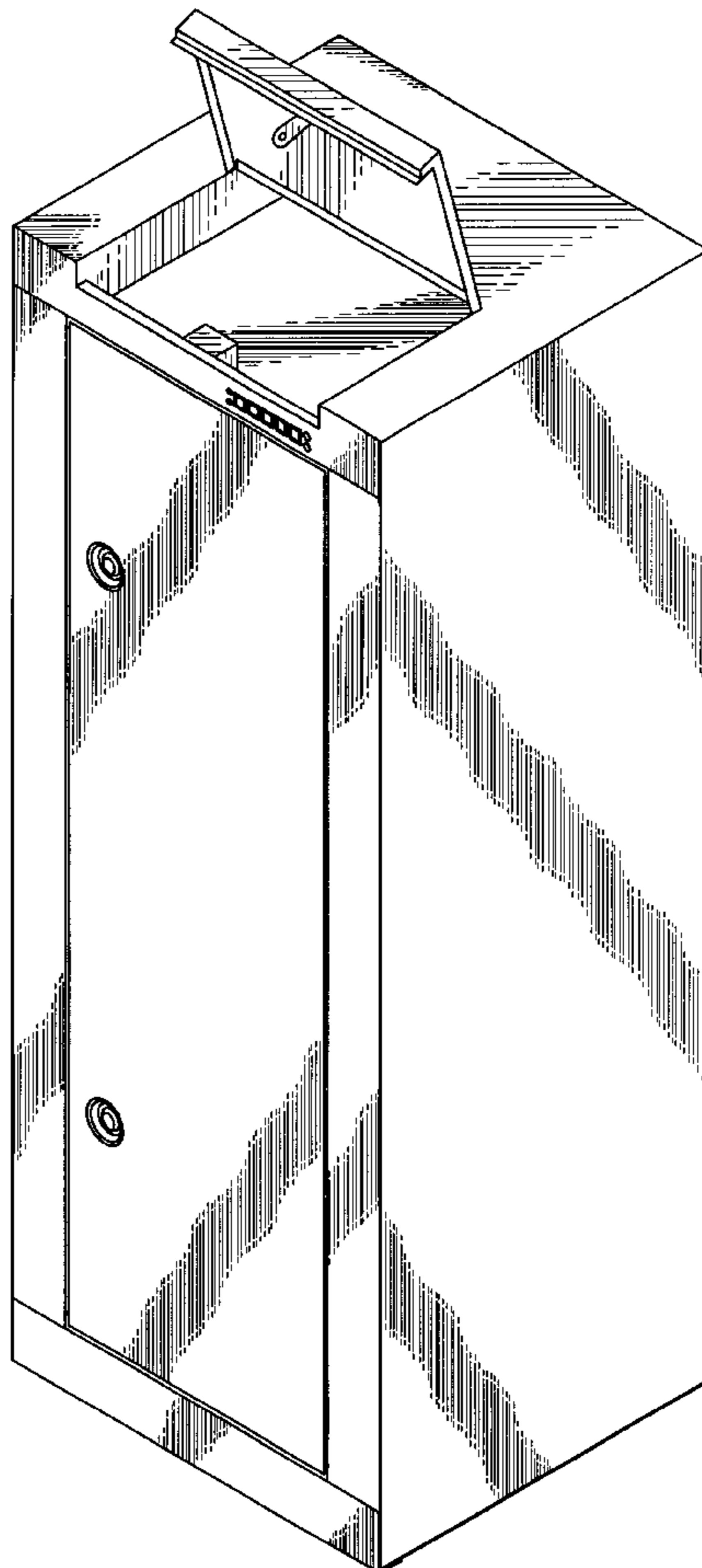


Fig. 1

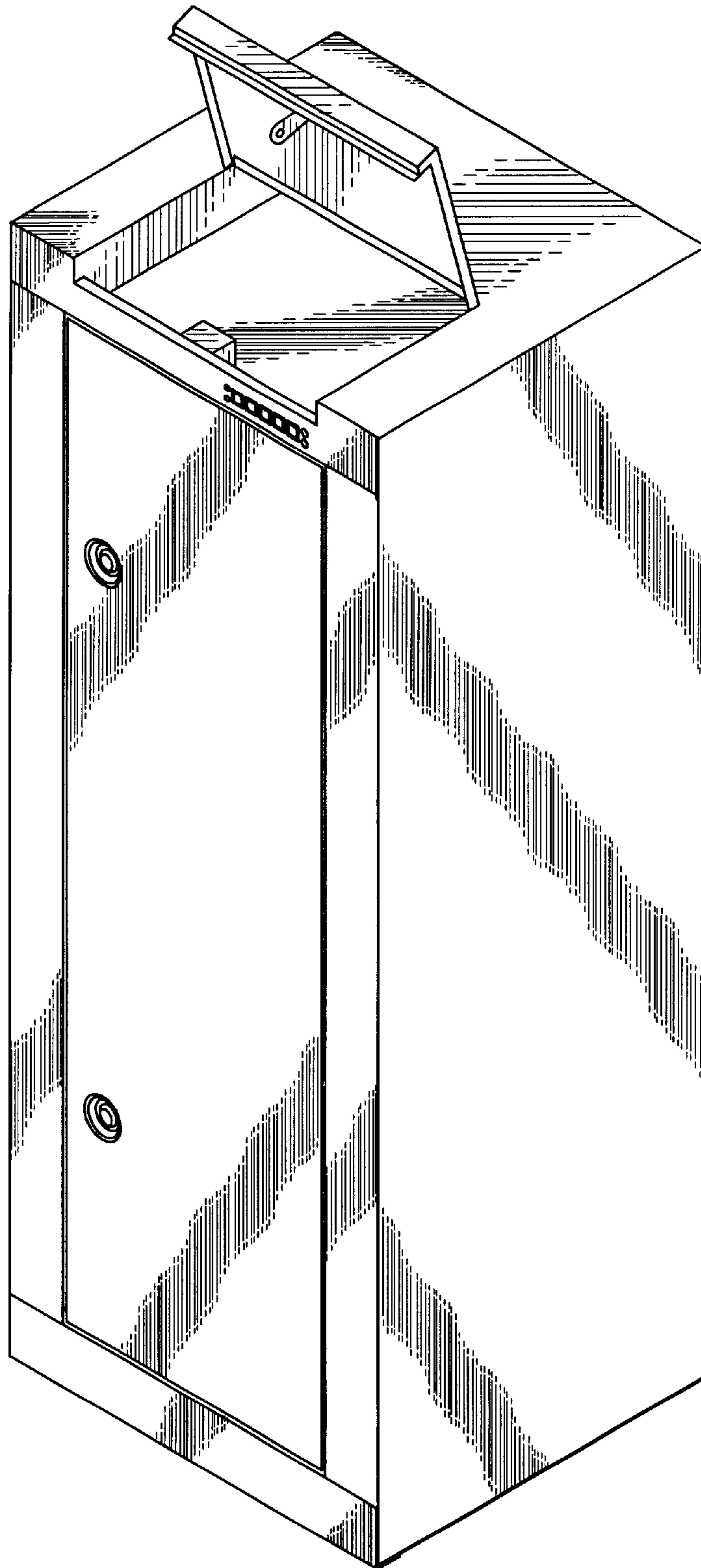


Fig. 2

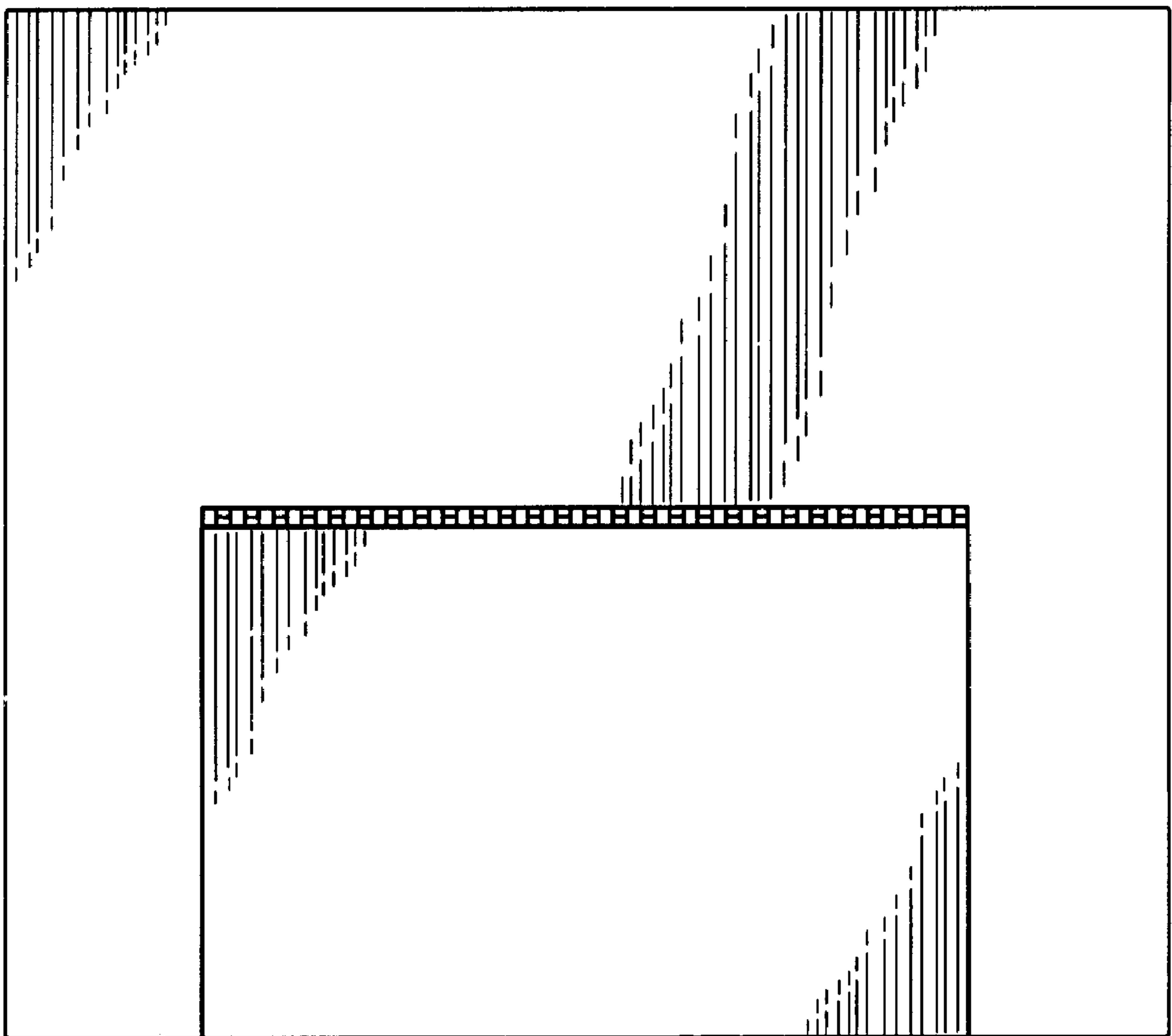


Fig. 3

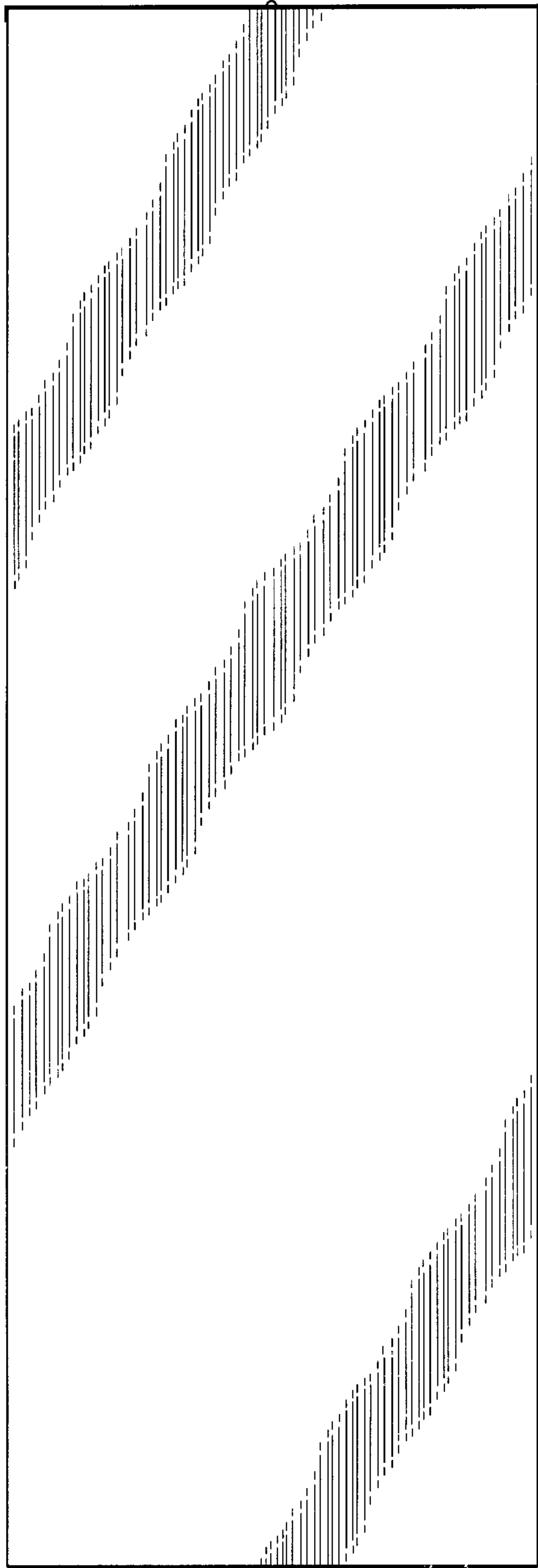


Fig. 4

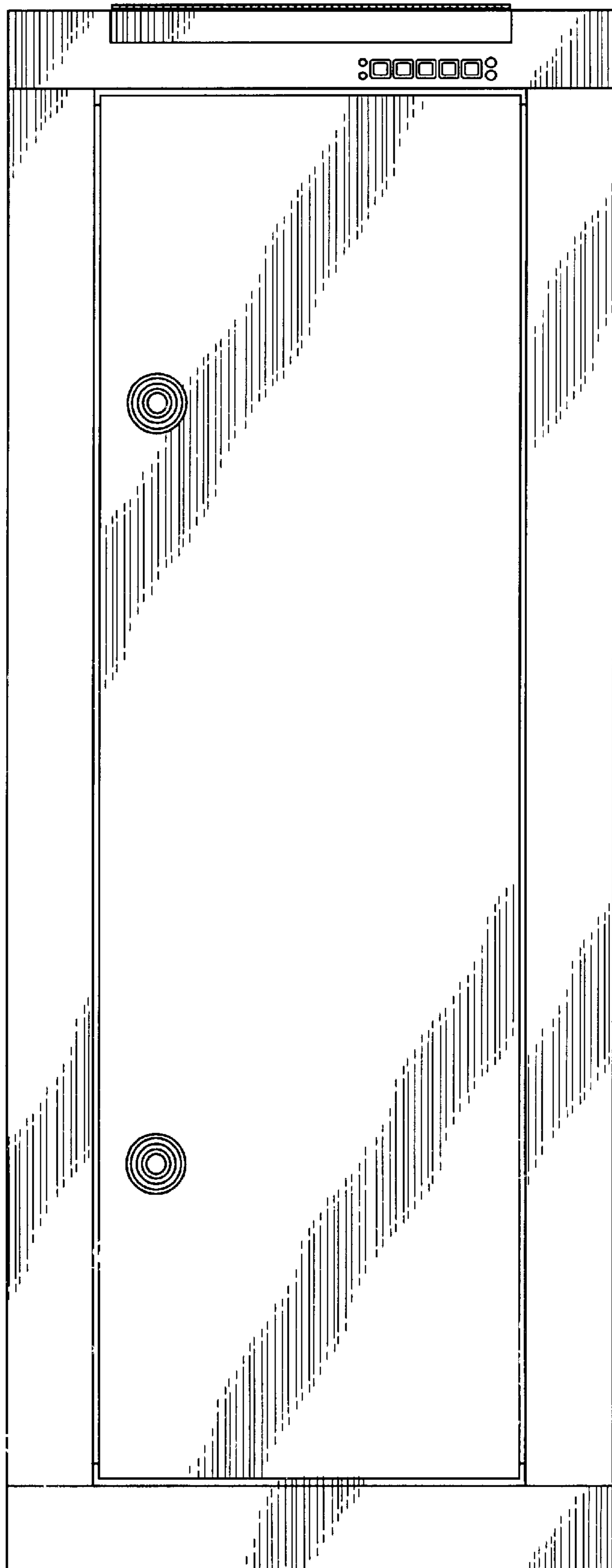


Fig. 5

