



US00D468554S

(12) **United States Design Patent**
Tribull, Jr.

(10) **Patent No.:** **US D468,554 S**

(45) **Date of Patent:** **** Jan. 14, 2003**

(54) **PLANT STAND**

(76) **Inventor:** **Frank Tribull, Jr.**, 4844 Ilchester Rd.,
Ellicott City, MD (US) 21043

(**) **Term:** **14 Years**

(21) **Appl. No.:** **29/145,334**

(22) **Filed:** **Jul. 20, 2001**

(51) **LOC (7) Cl.** **06-99**

(52) **U.S. Cl.** **D6/404**

(58) **Field of Search** D11/143, 144,
D11/149, 152, 153; D6/403, 404, 405, 336,
337; 47/39, 65.5, 66.6; 206/423; 248/27.8;
D30/130; D7/599

(56) **References Cited**

U.S. PATENT DOCUMENTS

D237,443 S	*	11/1975	Nelson	D6/404
D237,568 S	*	11/1975	Nelson	D6/404
D242,203 S	*	11/1976	Falbo	D7/599
D252,492 S	*	7/1979	Synder	D7/599
D261,716 S	*	11/1981	Berzack	D7/599
D290,663 S	*	7/1987	Jung	D6/337
D375,818 S	*	11/1996	Fischer	D30/130

* cited by examiner

Primary Examiner—Doris V. Coles
Assistant Examiner—Mimosa De

(74) *Attorney, Agent, or Firm*—Whiteford Taylor + Preston,
LLP; Gregory M. Stone; Jeffrey C. Maynard

(57) **CLAIM**

The ornamental design for a plant stand, as shown and described.

DESCRIPTION

FIG. 1 is a front, perspective view of a first embodiment of a plant stand manifesting the invention.

FIG. 2 is a top view of the plant stand illustrated in FIG. 1.

FIG. 3 is a front, perspective view of a second embodiment of a plant stand manifesting the invention.

FIG. 4 is a top view of the plant stand illustrated in FIG. 3.

FIG. 5 is a rear elevation of the plant stand illustrated in each of FIGS. 1 and 3.

FIG. 6 is a front elevation of the plant stand illustrated in each of FIGS. 1 and 3.

FIG. 7 is a left side elevation of the plant stands illustrated in each of FIGS. 1 and 3.

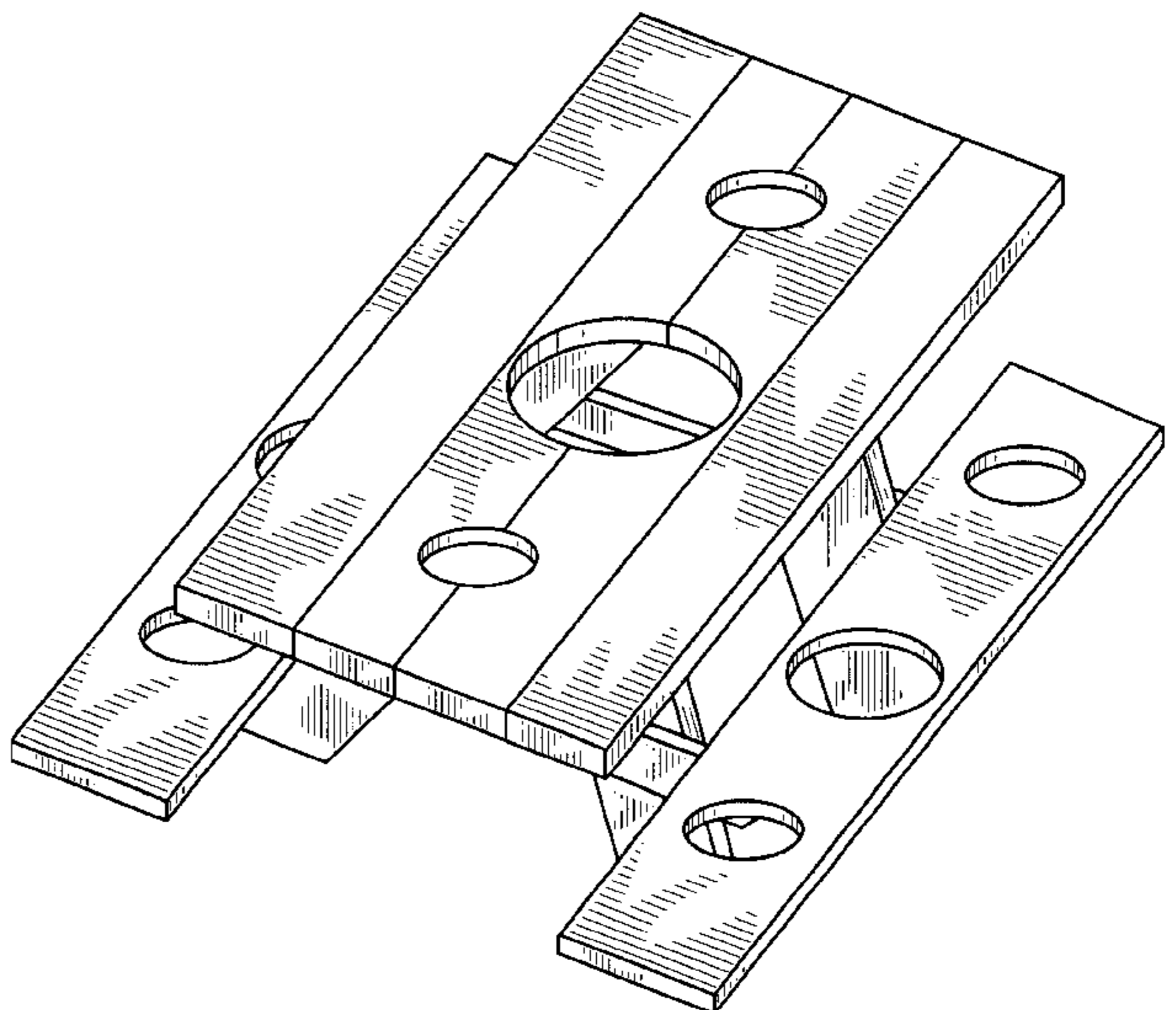
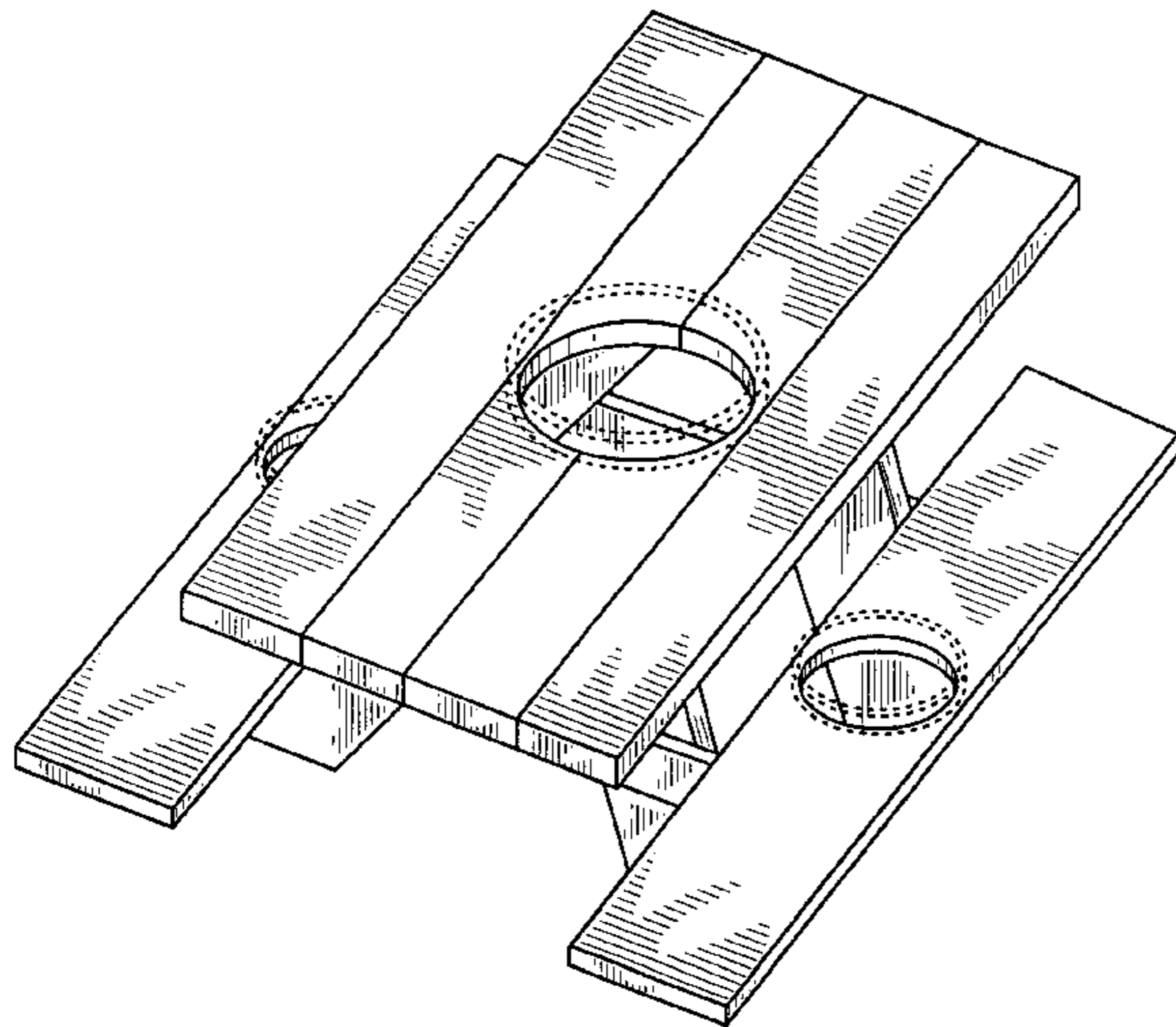
FIG. 8 is a right side elevation of the plant stands illustrated in each of FIGS. 1 and 3.

FIG. 9 is a bottom view of the first embodiment of the plant stand illustrated in FIG. 1; and,

FIG. 10 is a bottom view of the second embodiment of the plant stand illustrated in FIG. 3.

The broken lines showing flower pots in FIG. 1 are for illustrative purposes only and form no part of the claimed design.

1 Claim, 8 Drawing Sheets



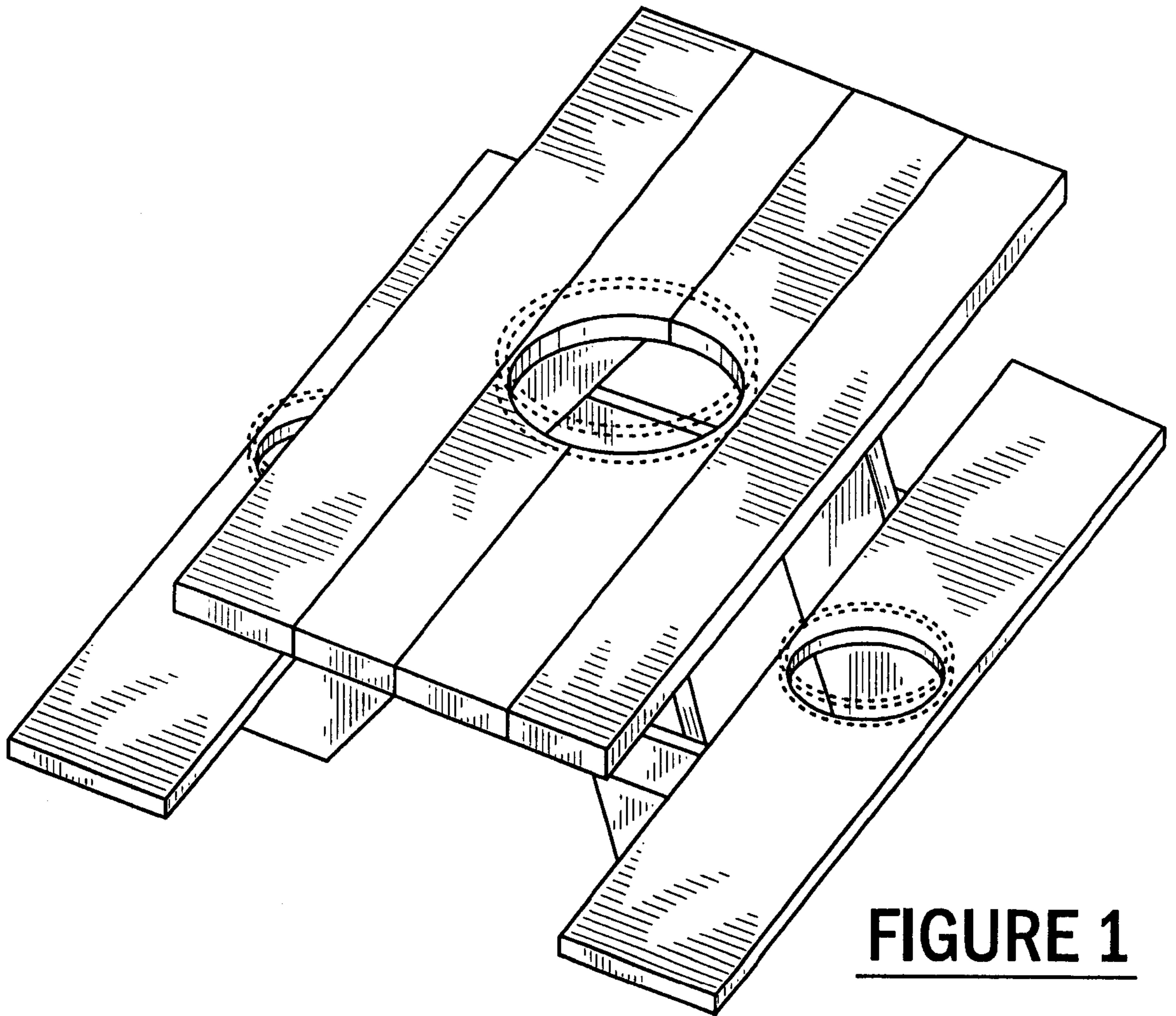


FIGURE 1

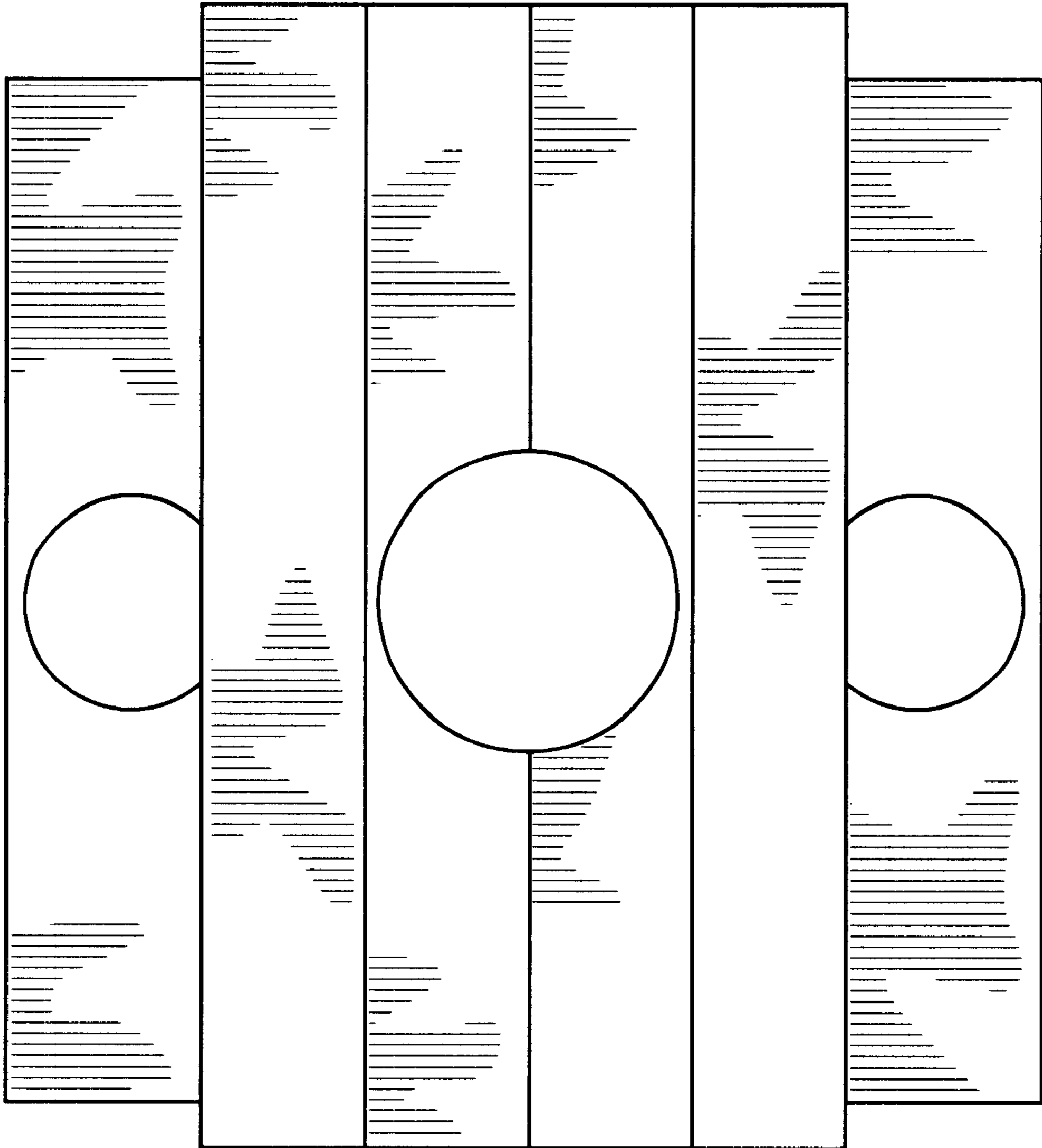


FIGURE 2

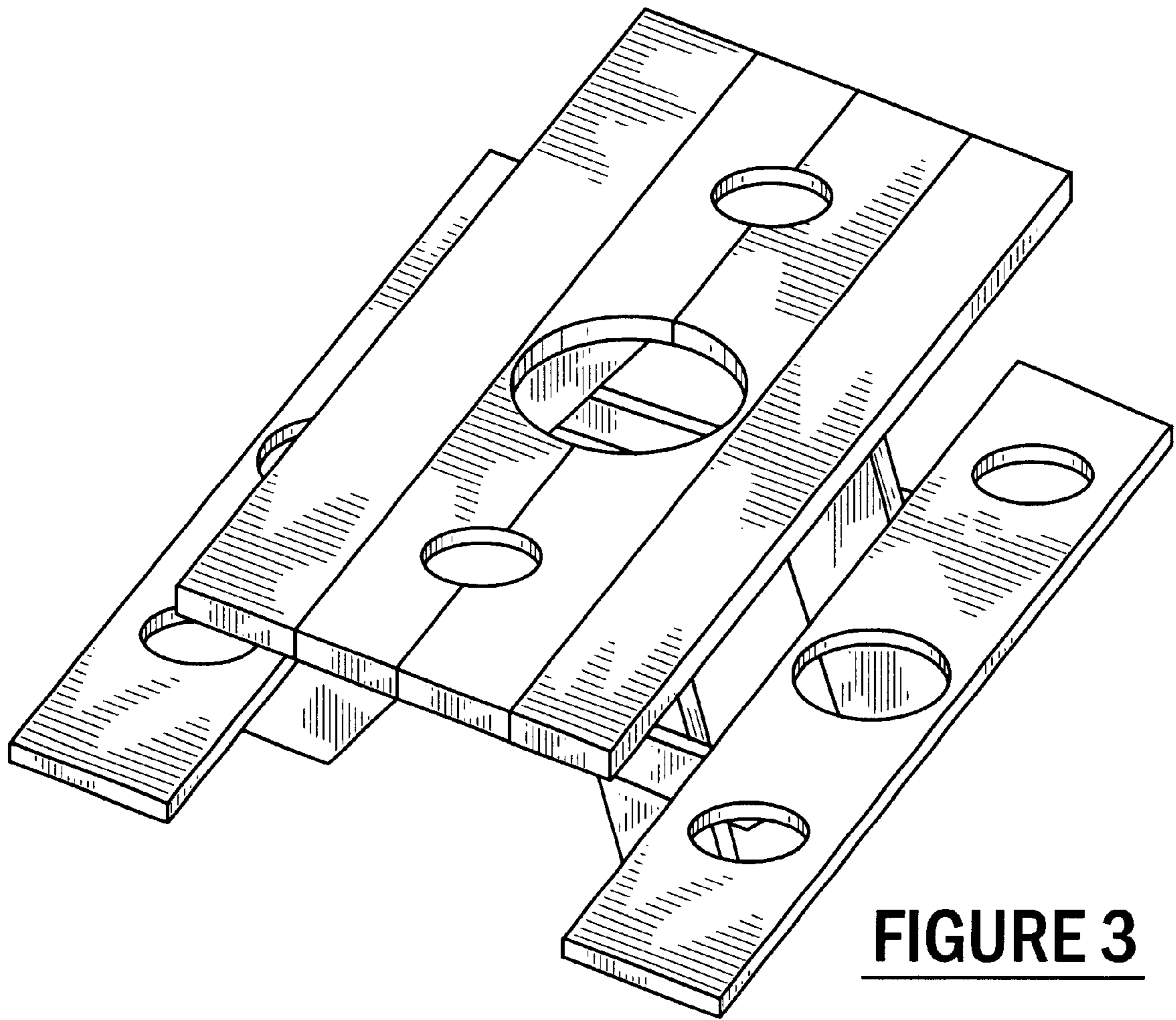


FIGURE 3

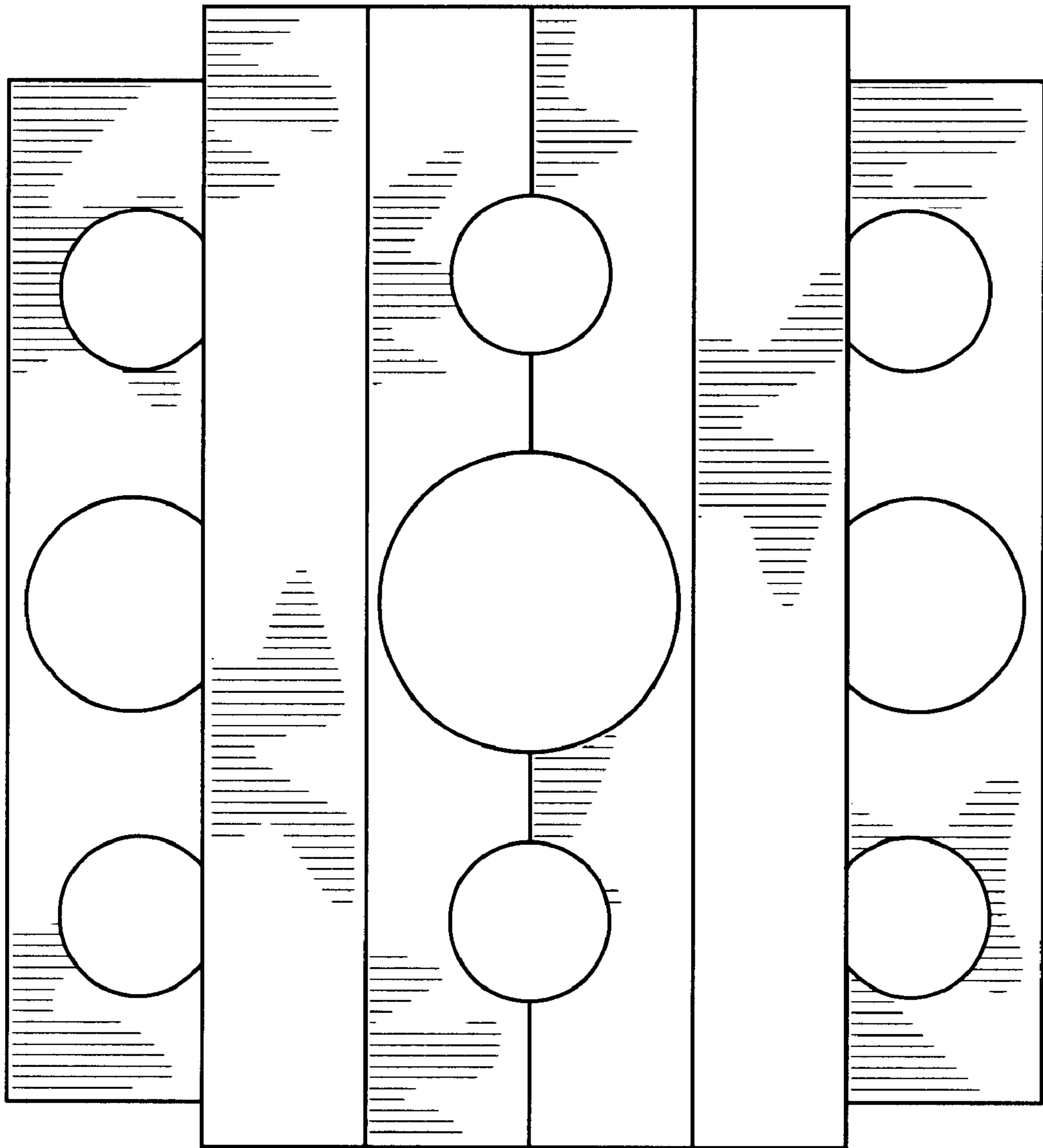


FIGURE 4

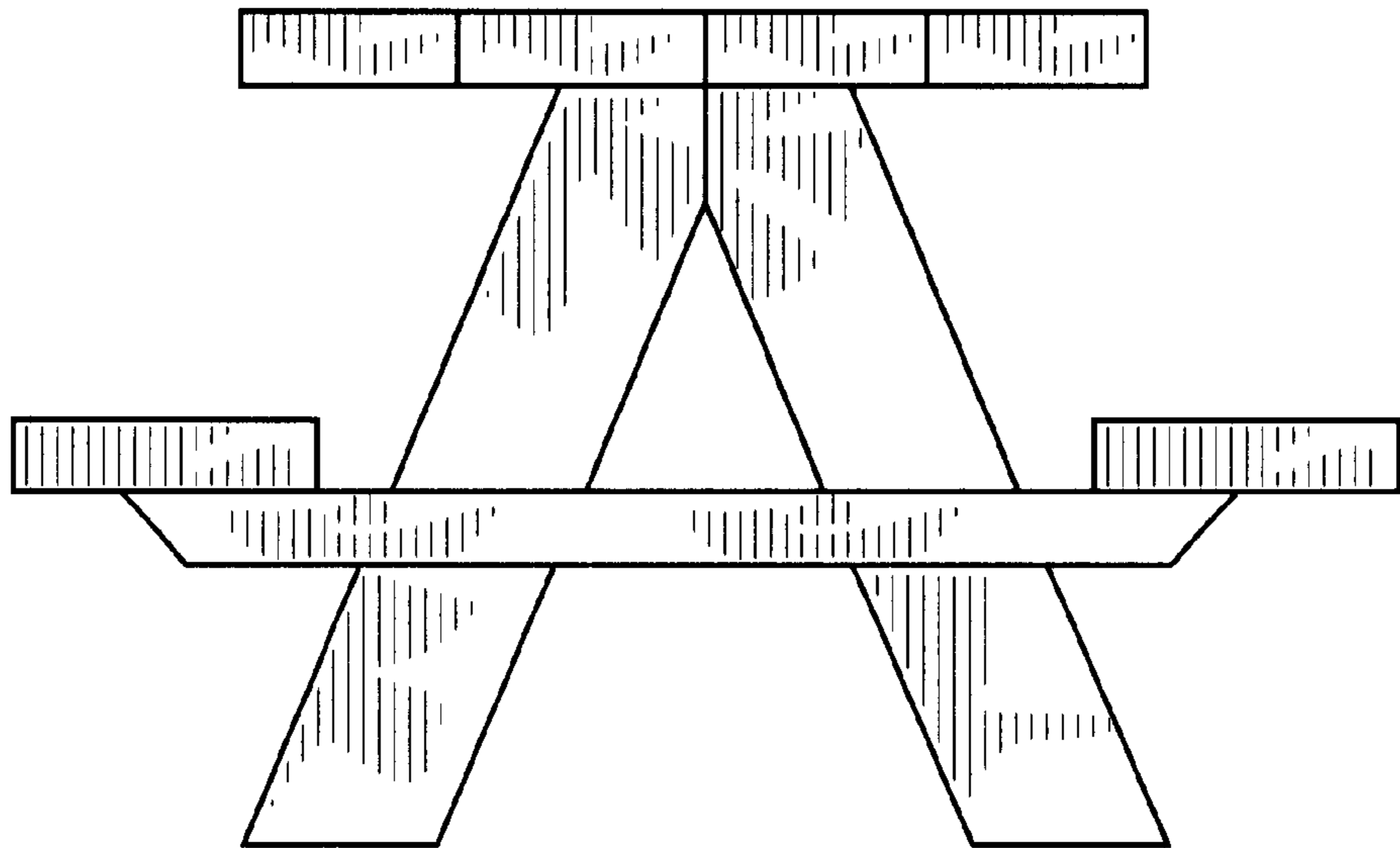


FIGURE 5

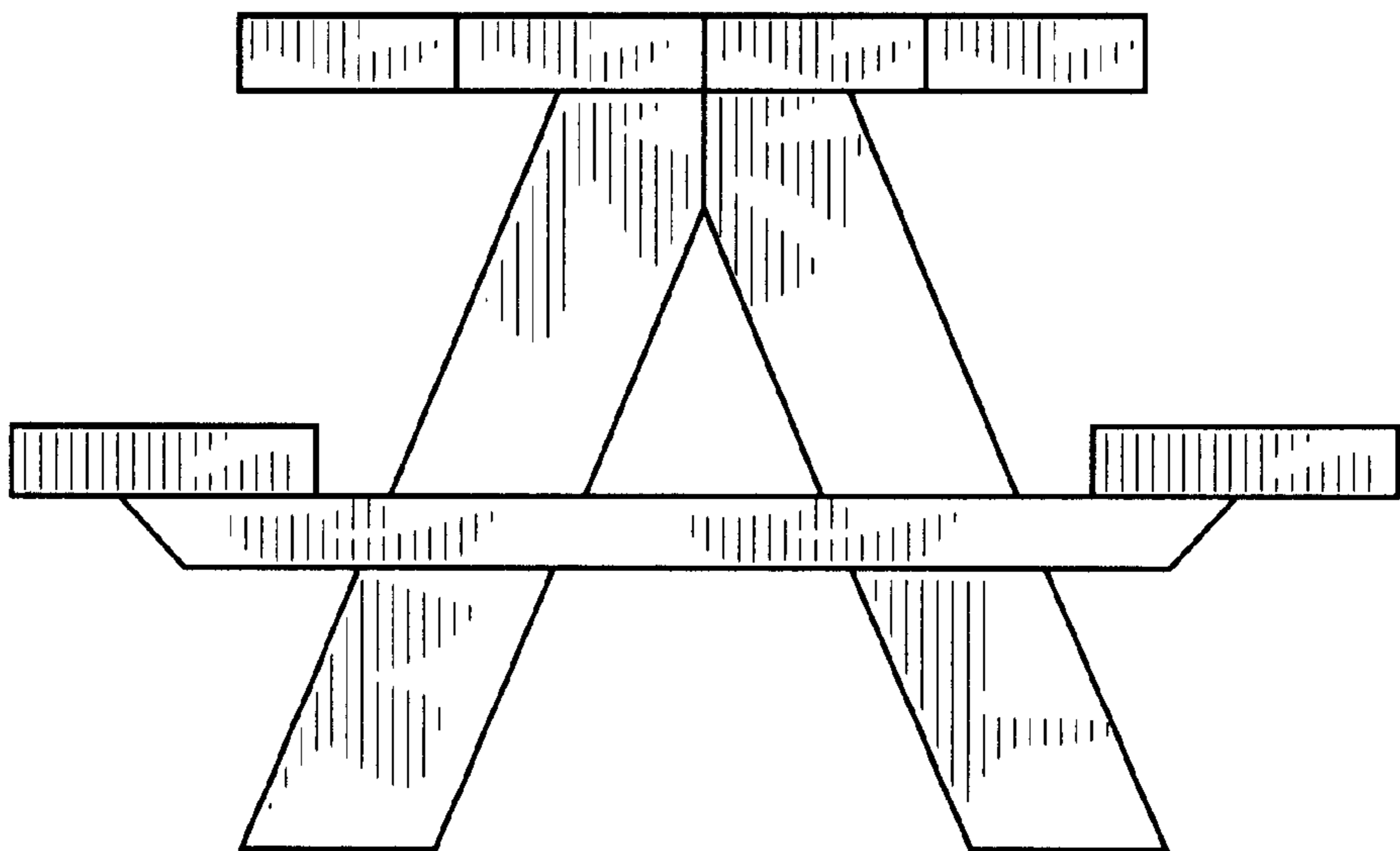


FIGURE 6

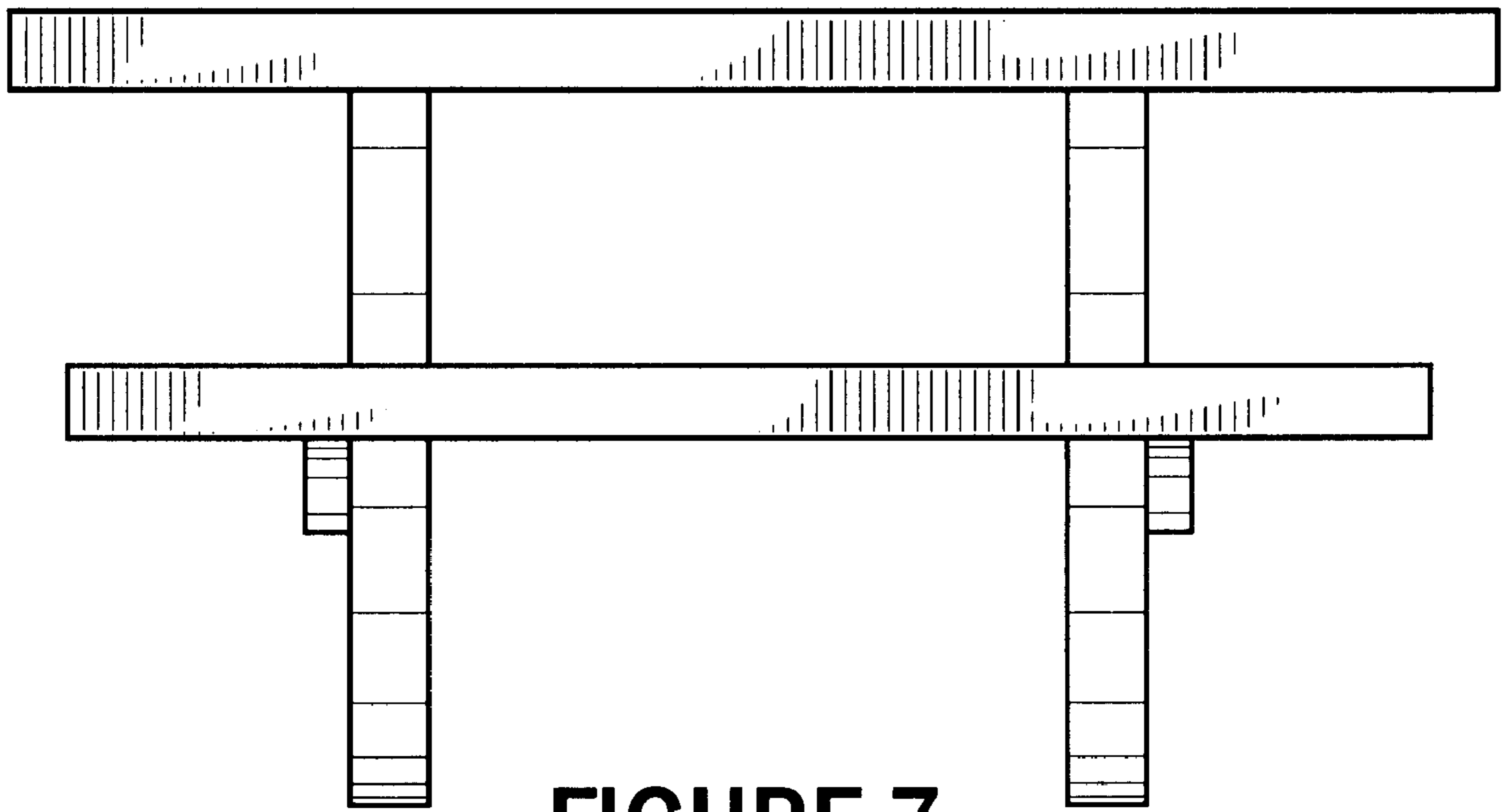


FIGURE 7

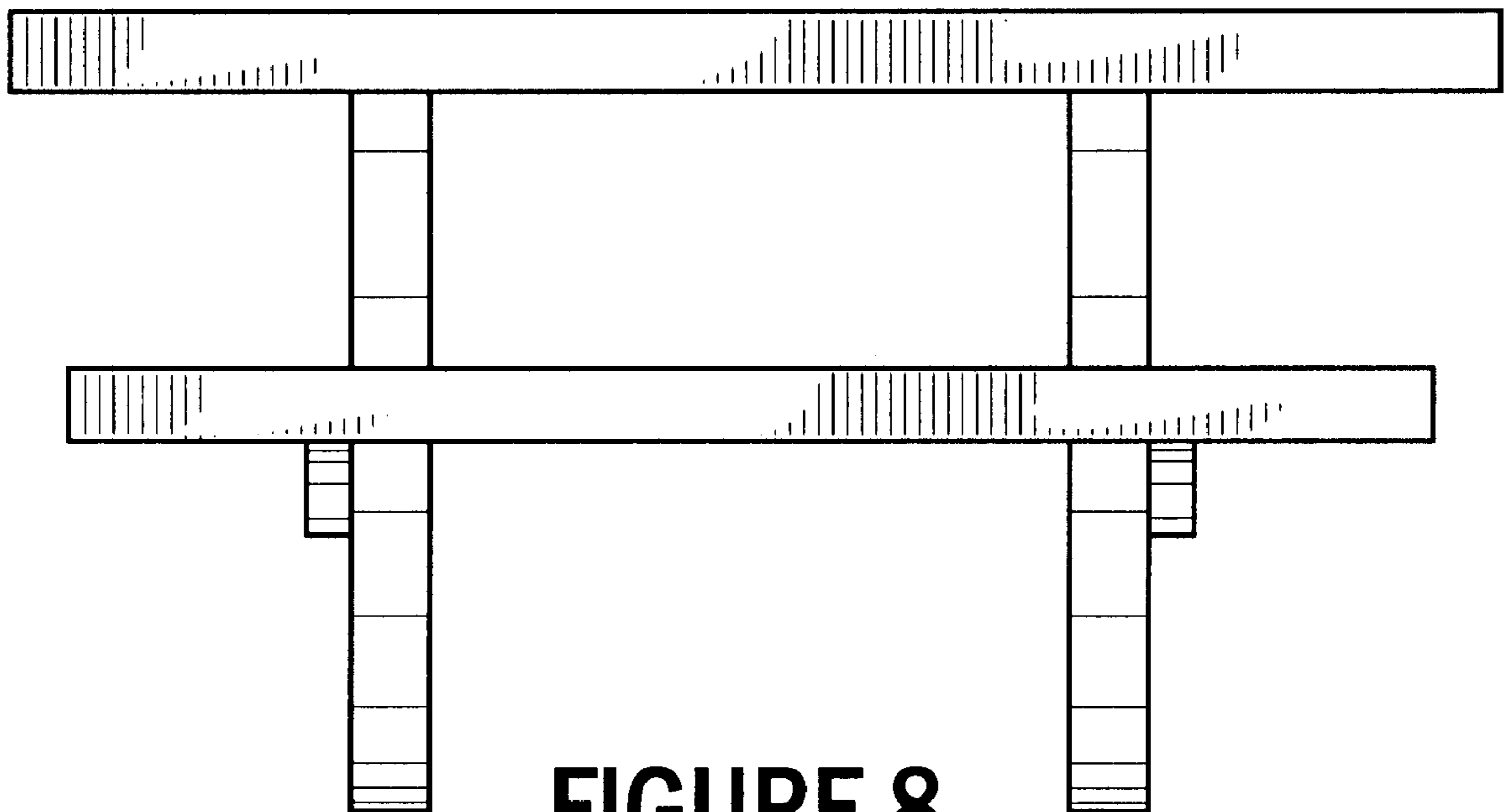


FIGURE 8

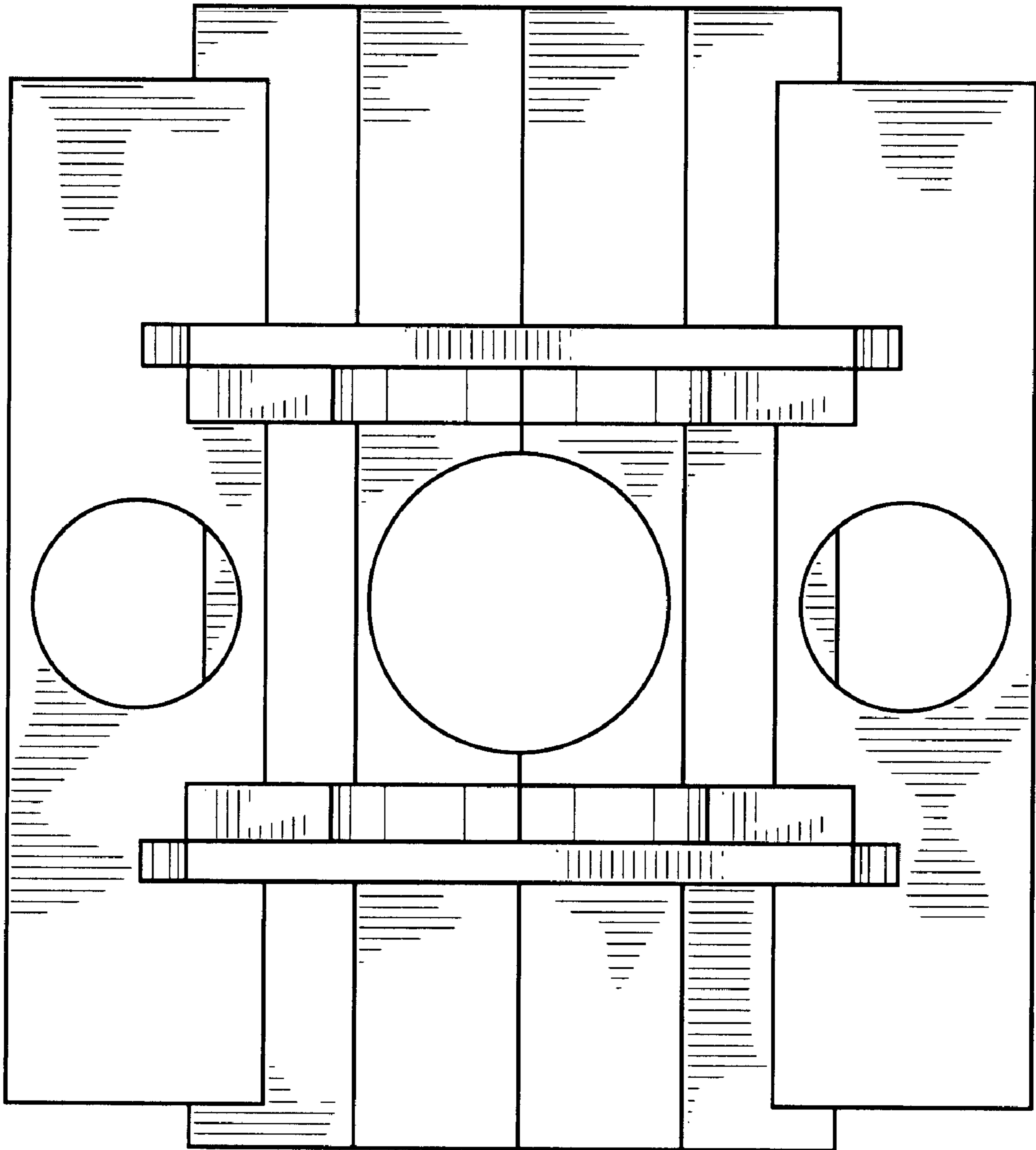


FIGURE 9

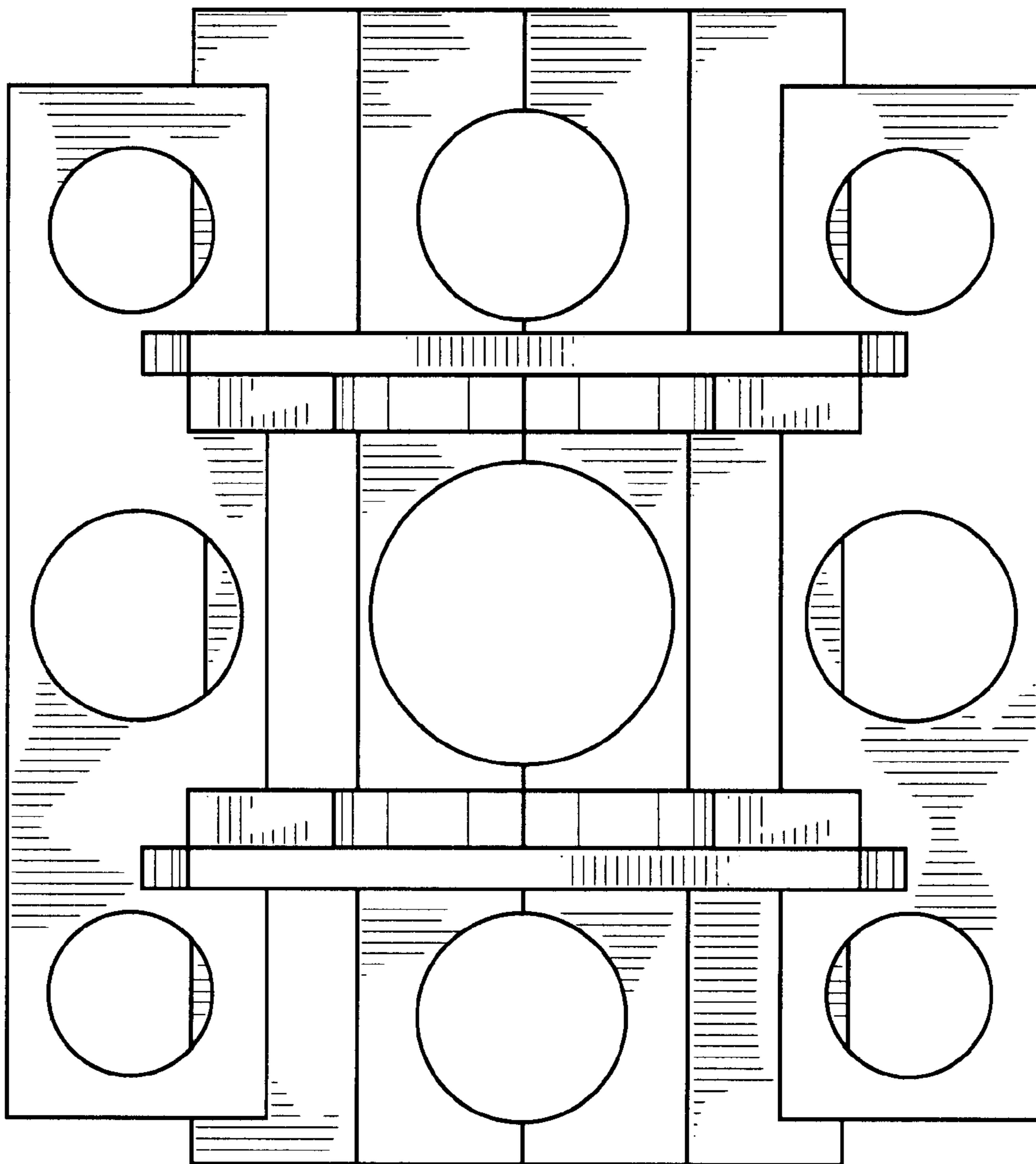


FIGURE 10