



US00D468548S

(12) **United States Design Patent**
Head, Jr.

(10) **Patent No.:** **US D468,548 S**

(45) **Date of Patent:** **** Jan. 14, 2003**

(54) **PORTABLE STADIUM SEAT**

(76) Inventor: **H. Wayne Head, Jr.**, P.O. Box 468,
Artesia, NM (US) 88210

(**) Term: **14 Years**

(21) Appl. No.: **29/161,282**

(22) Filed: **May 25, 2002**

(51) **LOC (7) Cl.** **06-01**

(52) **U.S. Cl.** **D6/368**

(58) **Field of Search** D6/333, 334, 335,
D6/336, 362, 367, 368, 374, 376, 379,
500-502, 601; 297/250.1, 252, 4, 17, 45,
16.1, 352

(56) **References Cited**

U.S. PATENT DOCUMENTS

D121,266 S	*	7/1940	Archer	D6/368
2,729,875 A	*	5/1957	Pirrone	297/252
D252,658 S	*	8/1979	Kressin	D6/368
D290,797 S	*	7/1987	Hartt	D6/502
D293,282 S	*	12/1987	Ashford	D6/368
D316,190 S	*	4/1991	Sadan	D6/335
D340,814 S	*	11/1993	Grant	D6/368
5,433,502 A	*	7/1995	Condorodis et al.	297/17
6,352,306 B1	*	3/2002	Dreiling	297/252

OTHER PUBLICATIONS

8 Photo's of previously sold chair, undated.

* cited by examiner

Primary Examiner—Doris V. Coles

Assistant Examiner—Mimosa De

(74) *Attorney, Agent, or Firm*—Stephen D. Carver

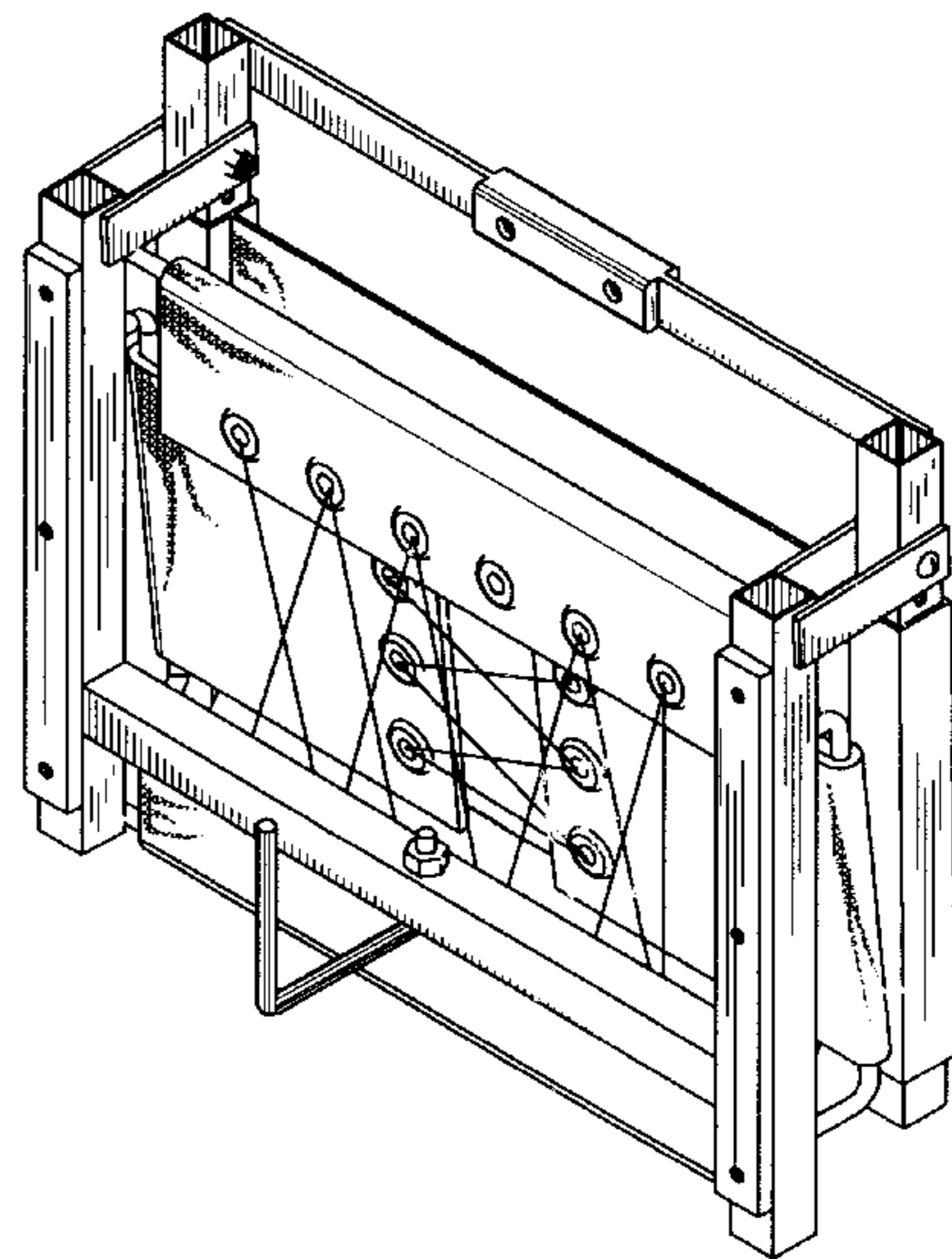
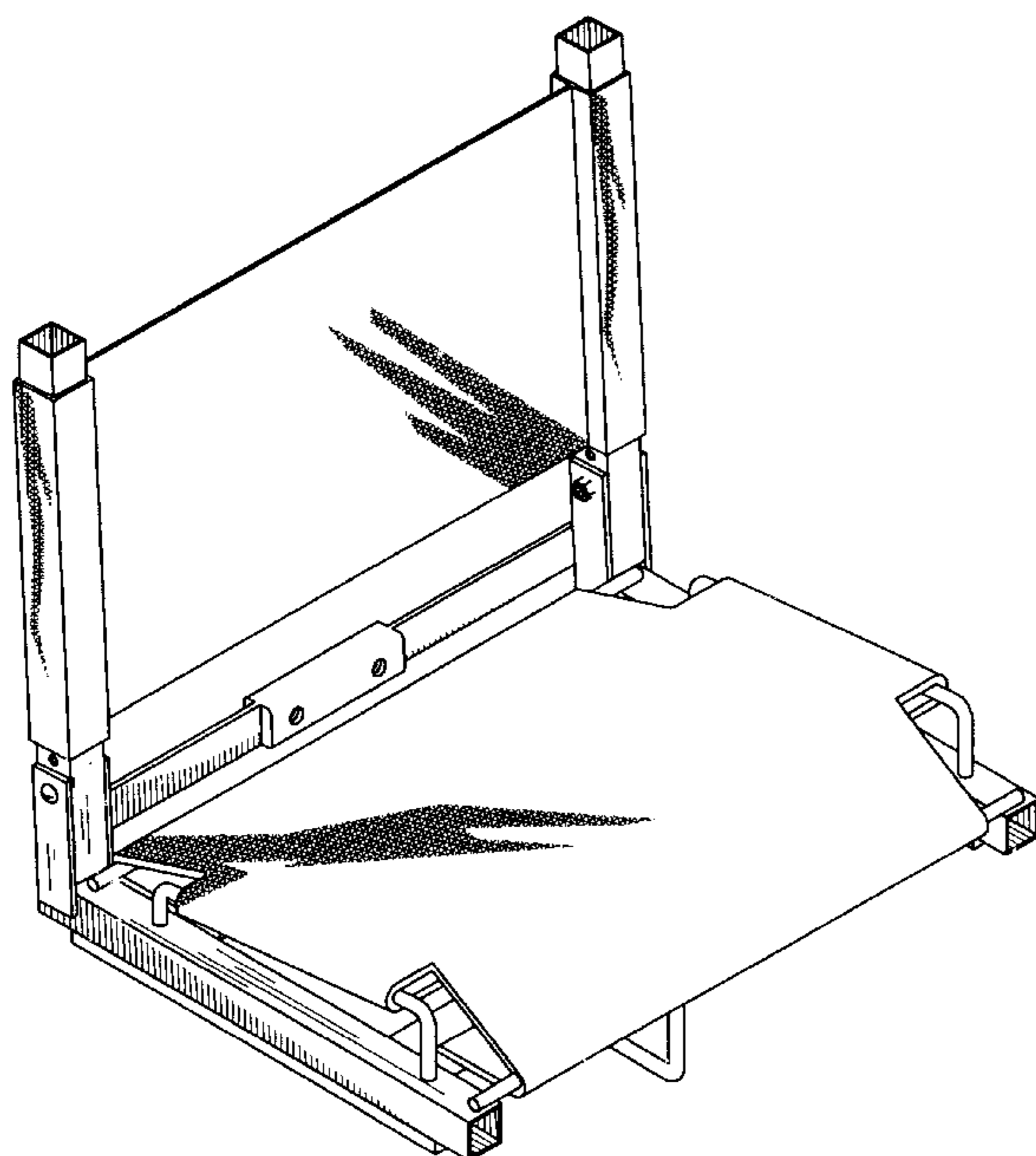
(57) **CLAIM**

The ornamental design for a portable stadium seat, as shown and described.

DESCRIPTION

FIG. 1 is a frontal, top isometric view of my new portable stadium seat, with the seat deployed for use;
 FIG. 2 is a rear, top isometric view thereof;
 FIG. 3 is a bottom isometric view thereof;
 FIG. 4 is a left side elevational view thereof;
 FIG. 5 is a right side elevational view thereof;
 FIG. 6 is a rear plan view thereof;
 FIG. 7 is a front plan view thereof;
 FIG. 8 is a top plan view thereof;
 FIG. 9 is a bottom plan view thereof;
 FIG. 10 is a frontal, isometric view of my new portable stadium seat, with the seat folded for transportation or storage;
 FIG. 11 is a rear, top isometric view of the seat disposed in the folded orientation of FIG. 10;
 FIG. 12 is a front plan view of the seat disposed in the folded orientation of FIGS. 10-11;
 FIG. 13 is a left side elevational view of the seat disposed in the folded orientation of FIGS. 10-12;
 FIG. 14 is a rear plan view of the seat disposed in the folded orientation of FIGS. 10-13;
 FIG. 15 is a top plan view of the seat disposed in the folded orientation in FIGS. 10-14; and,
 FIG. 16 is a bottom plan view of the seat disposed in the folded orientation of FIGS. 10-15.
 The fragmented cross-hatching on the seat and backrest of the stadium seat is understood to represent fabric and would be continuous throughout the circumscribed area.

1 Claim, 13 Drawing Sheets



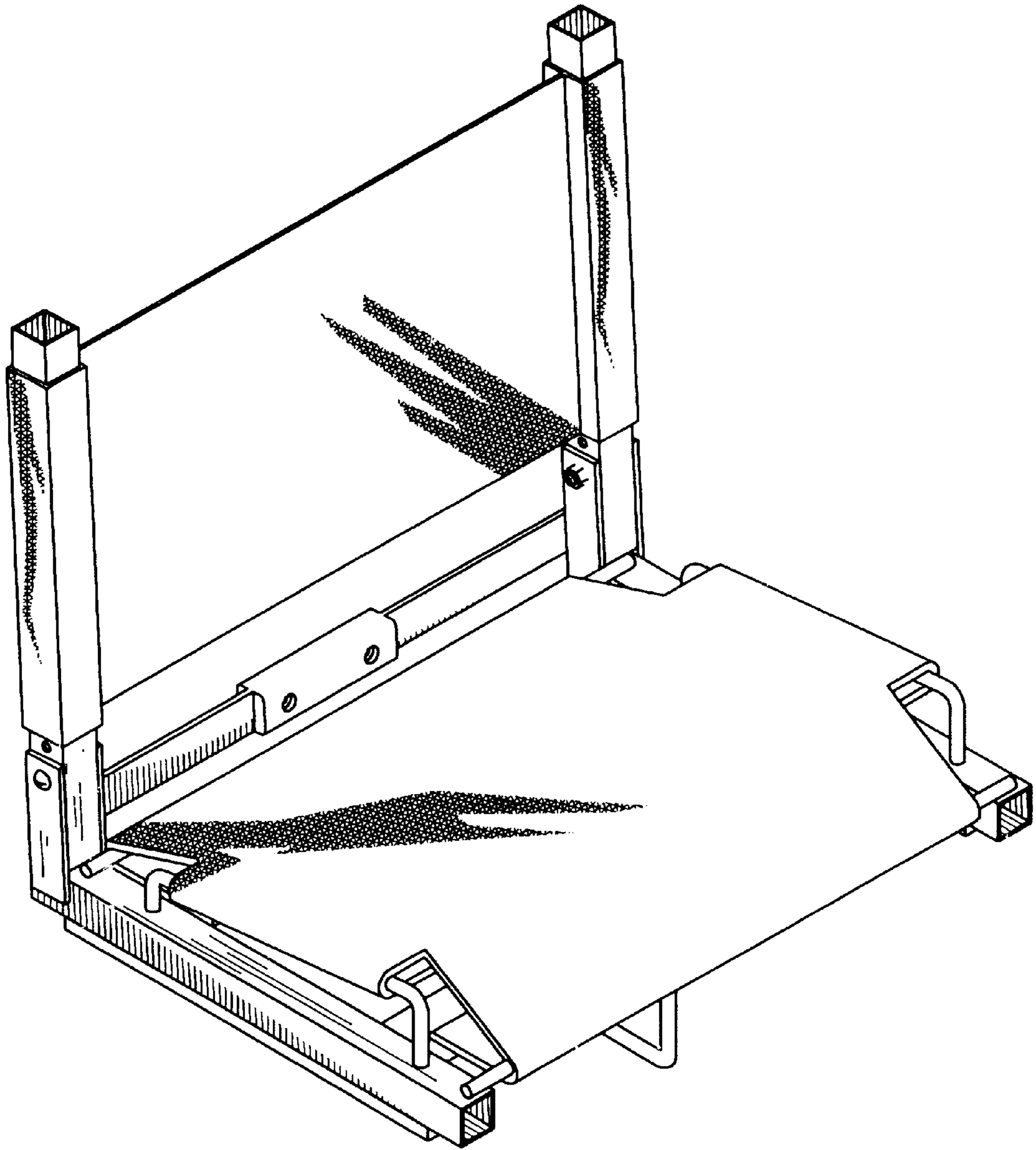


Fig. 1

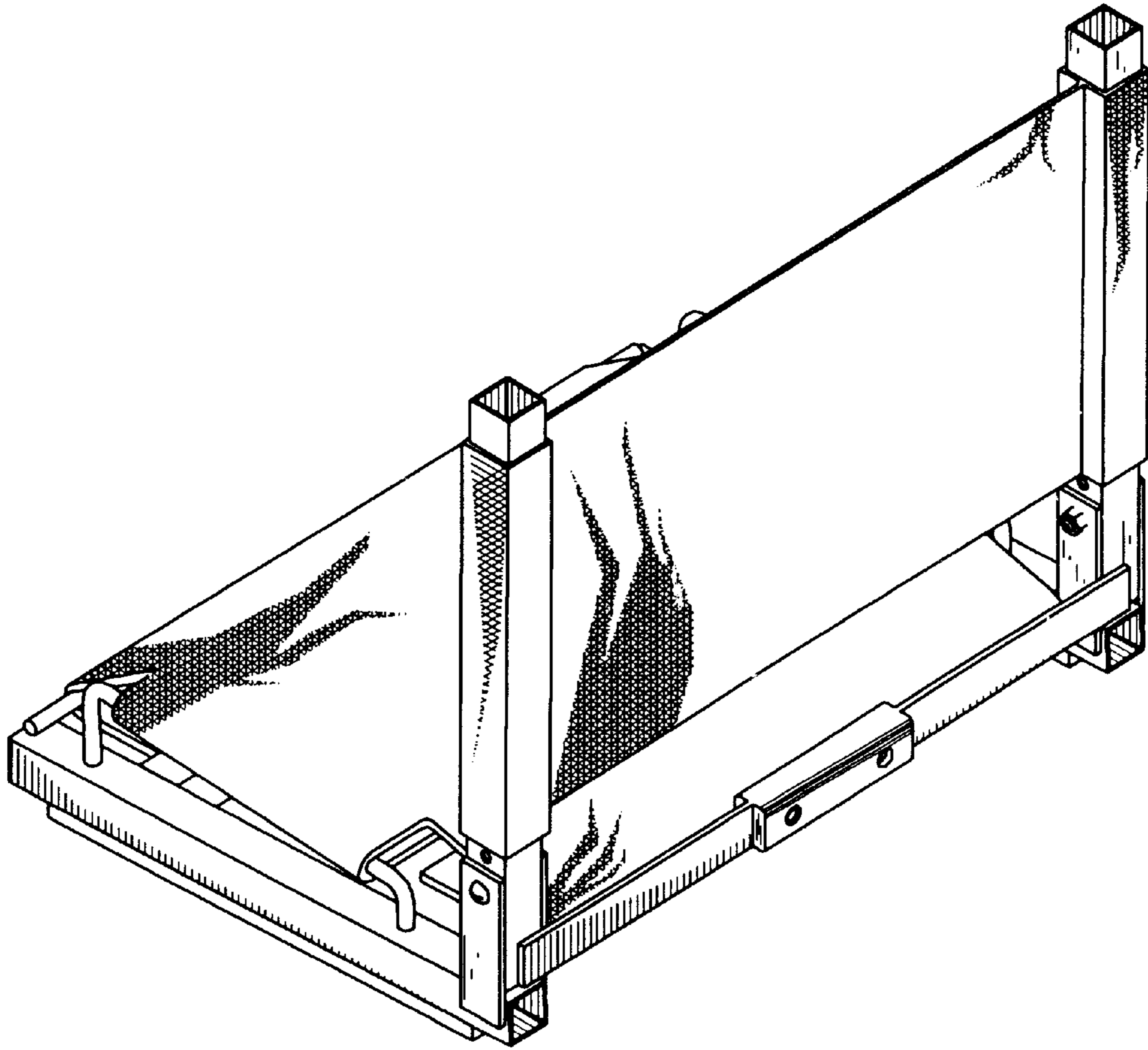


Fig. 2

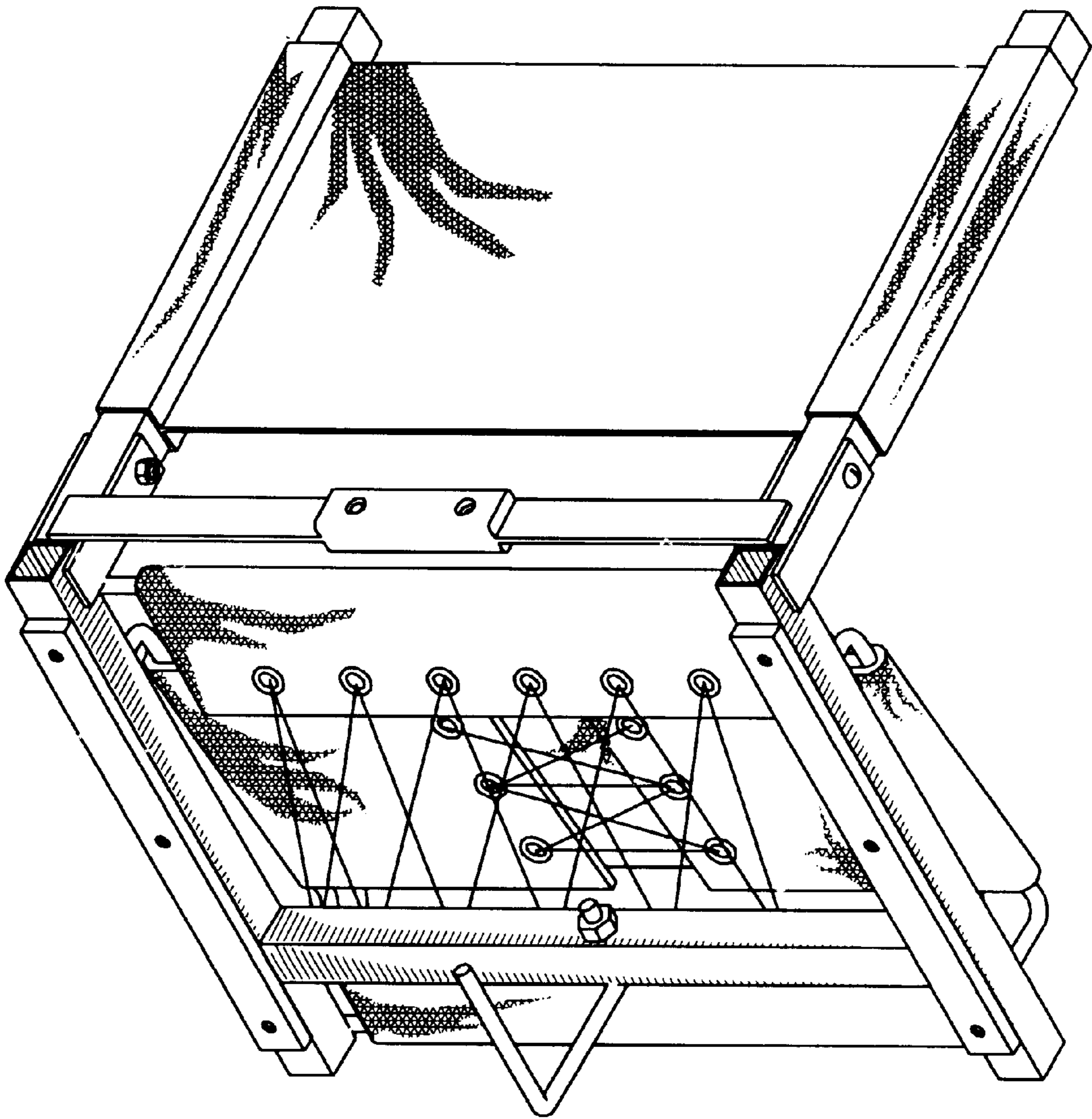


Fig. 3

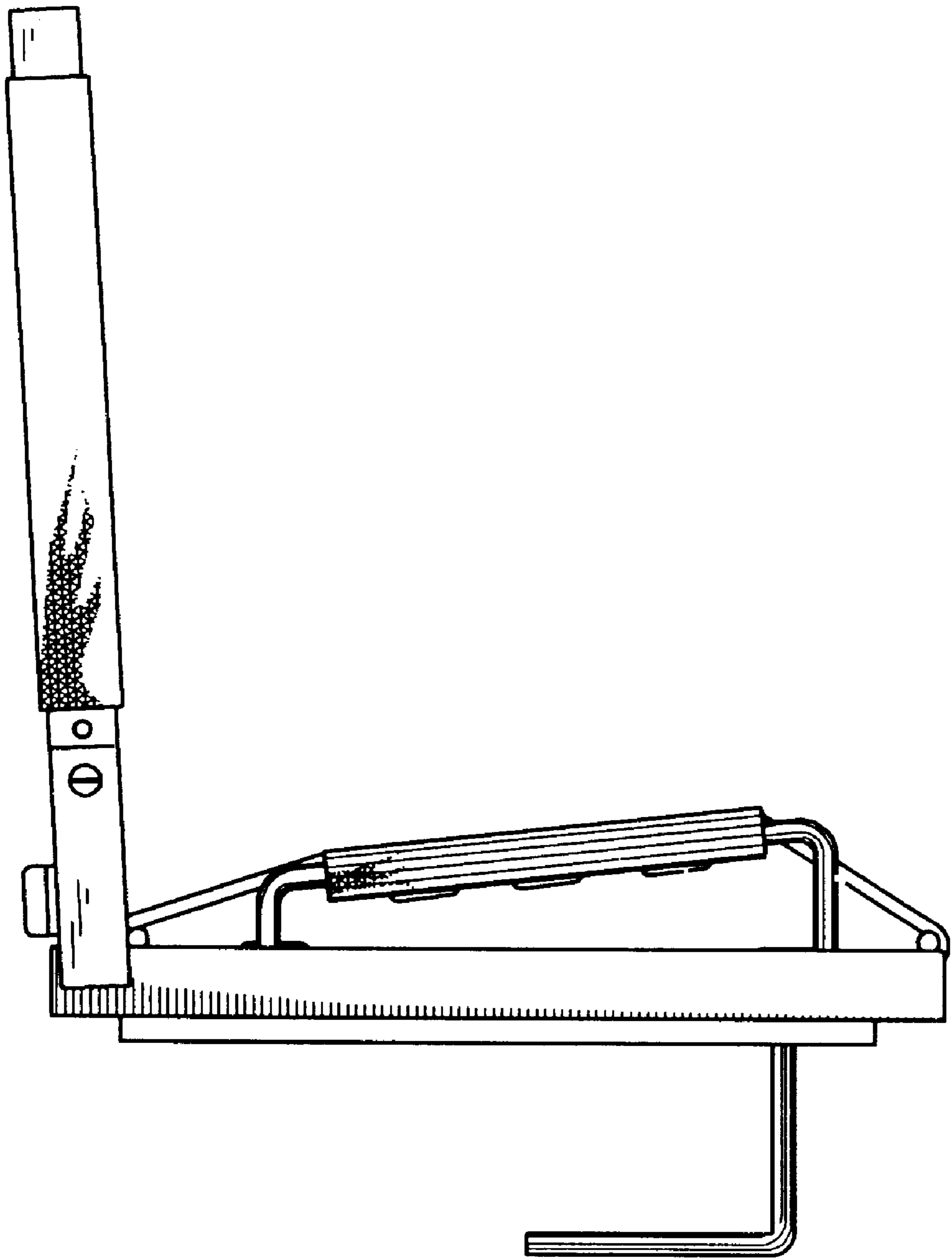


Fig. 4

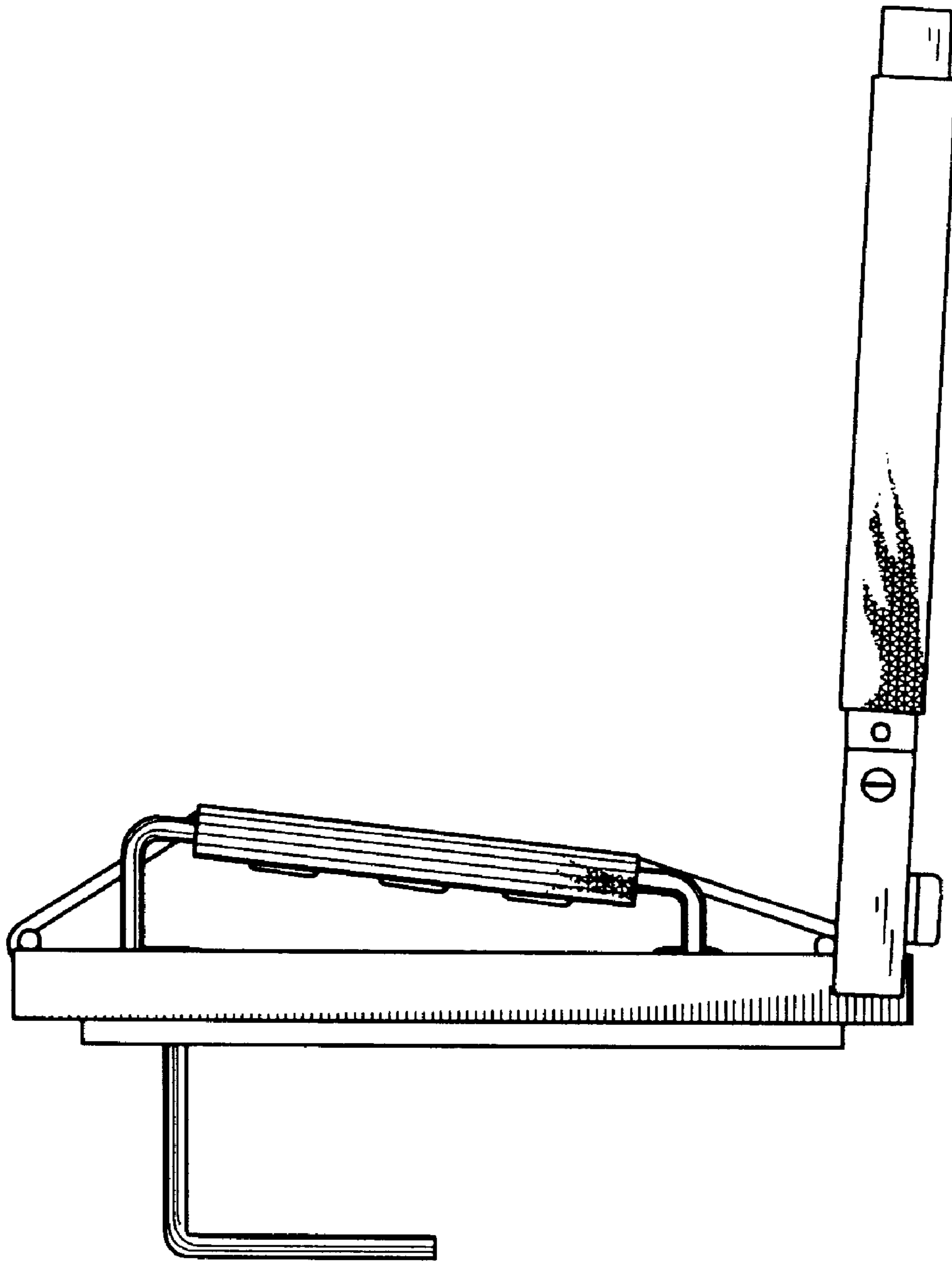


Fig. 5

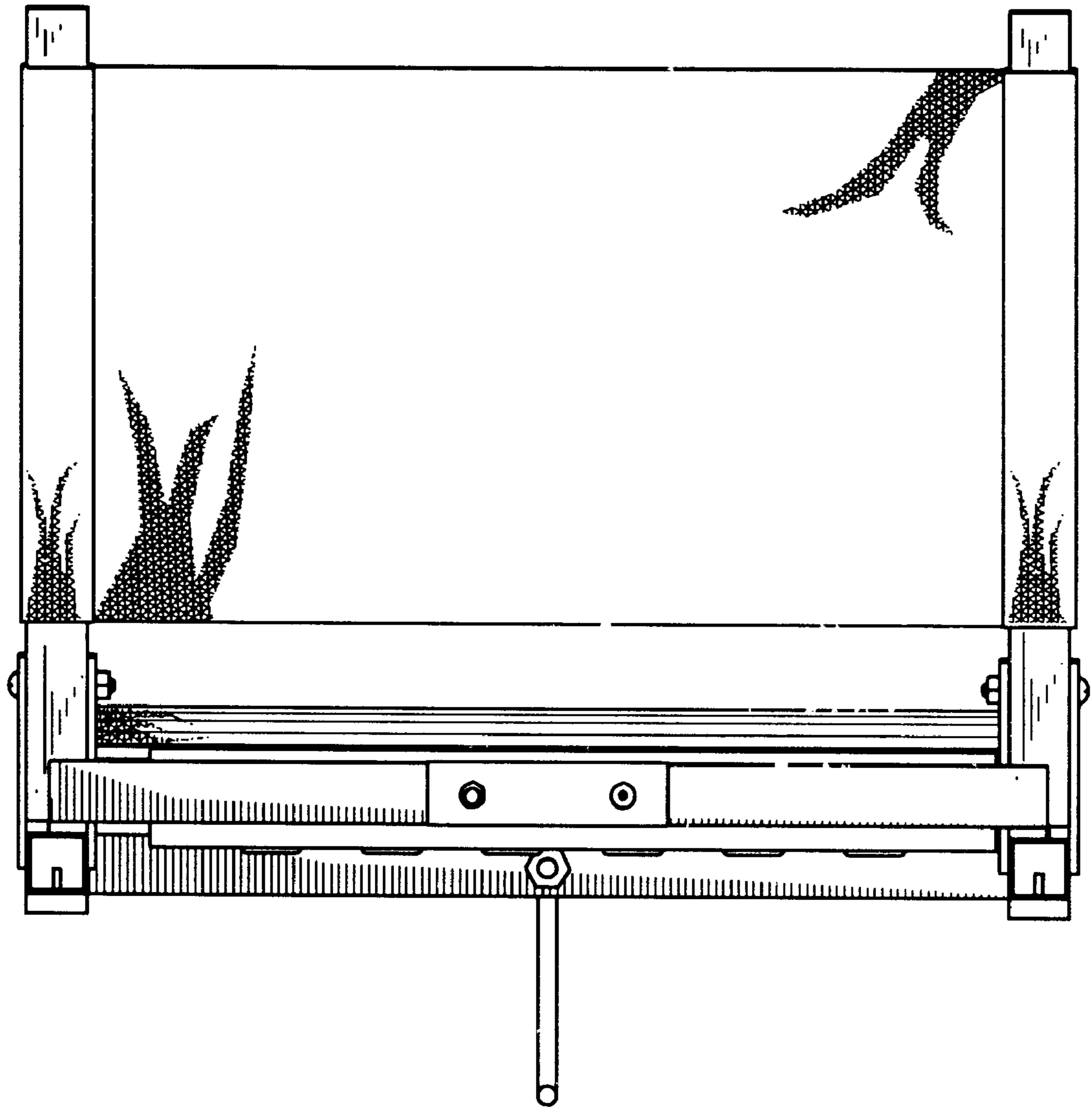


Fig. 6

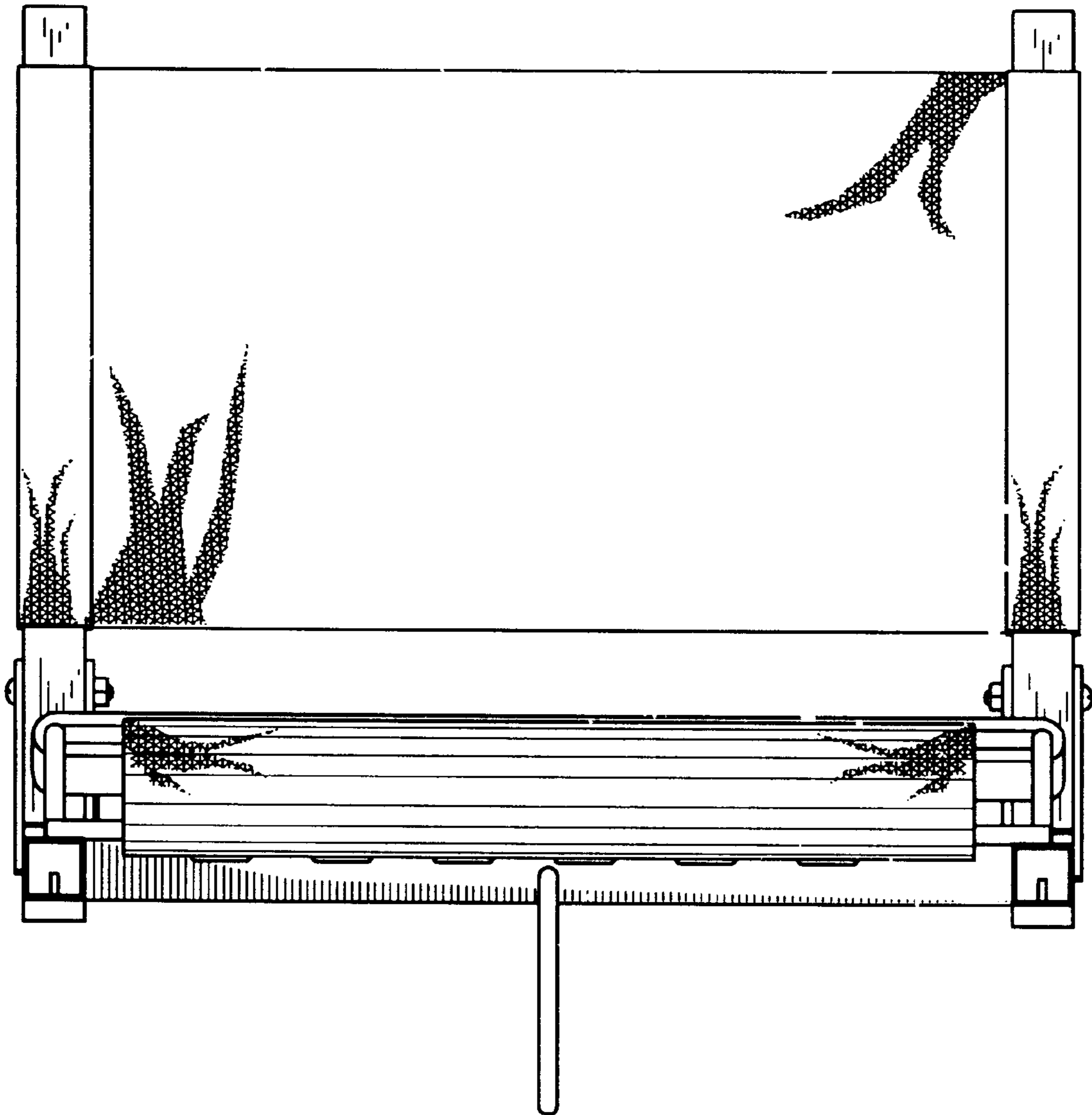


Fig. 7

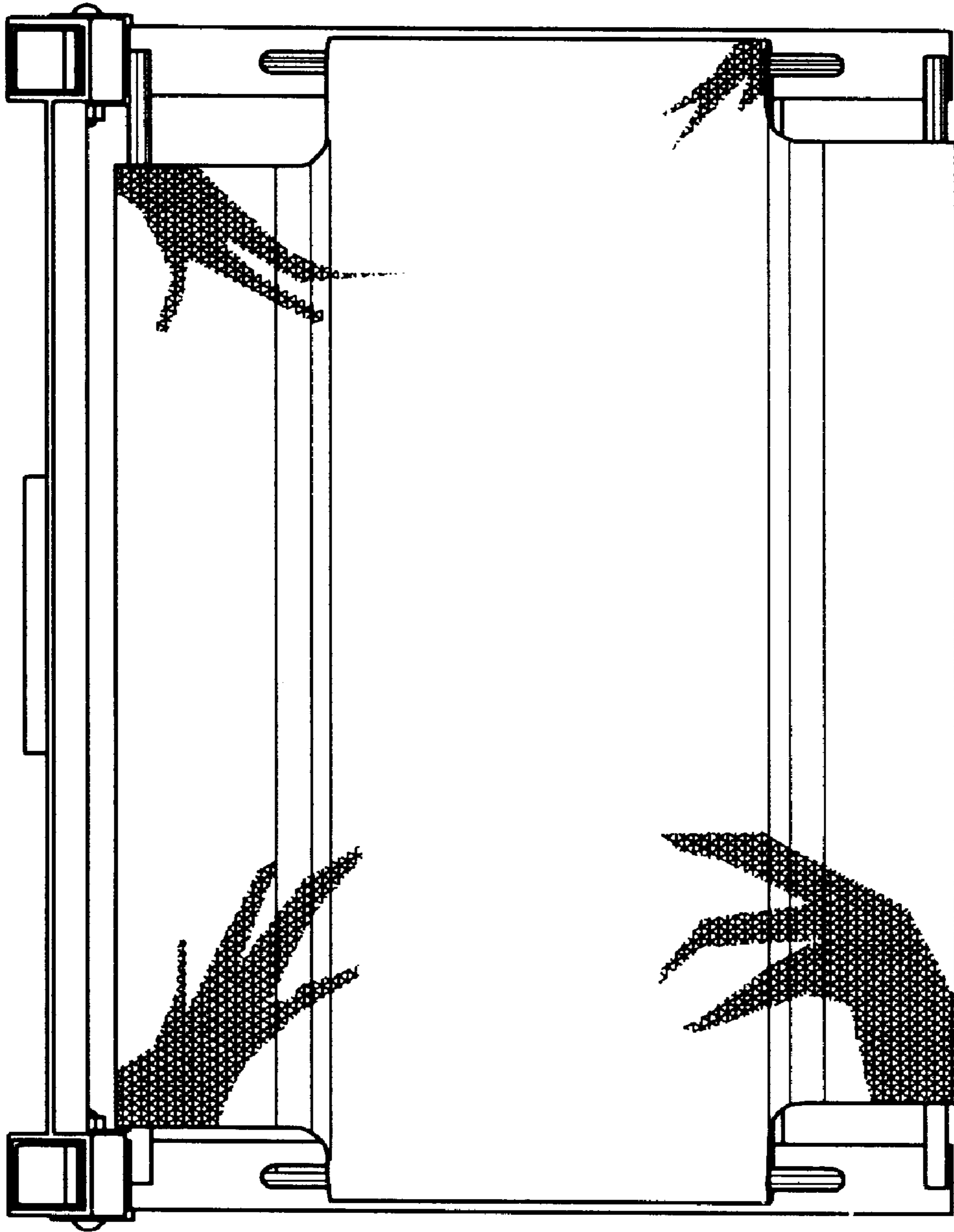


Fig. 8

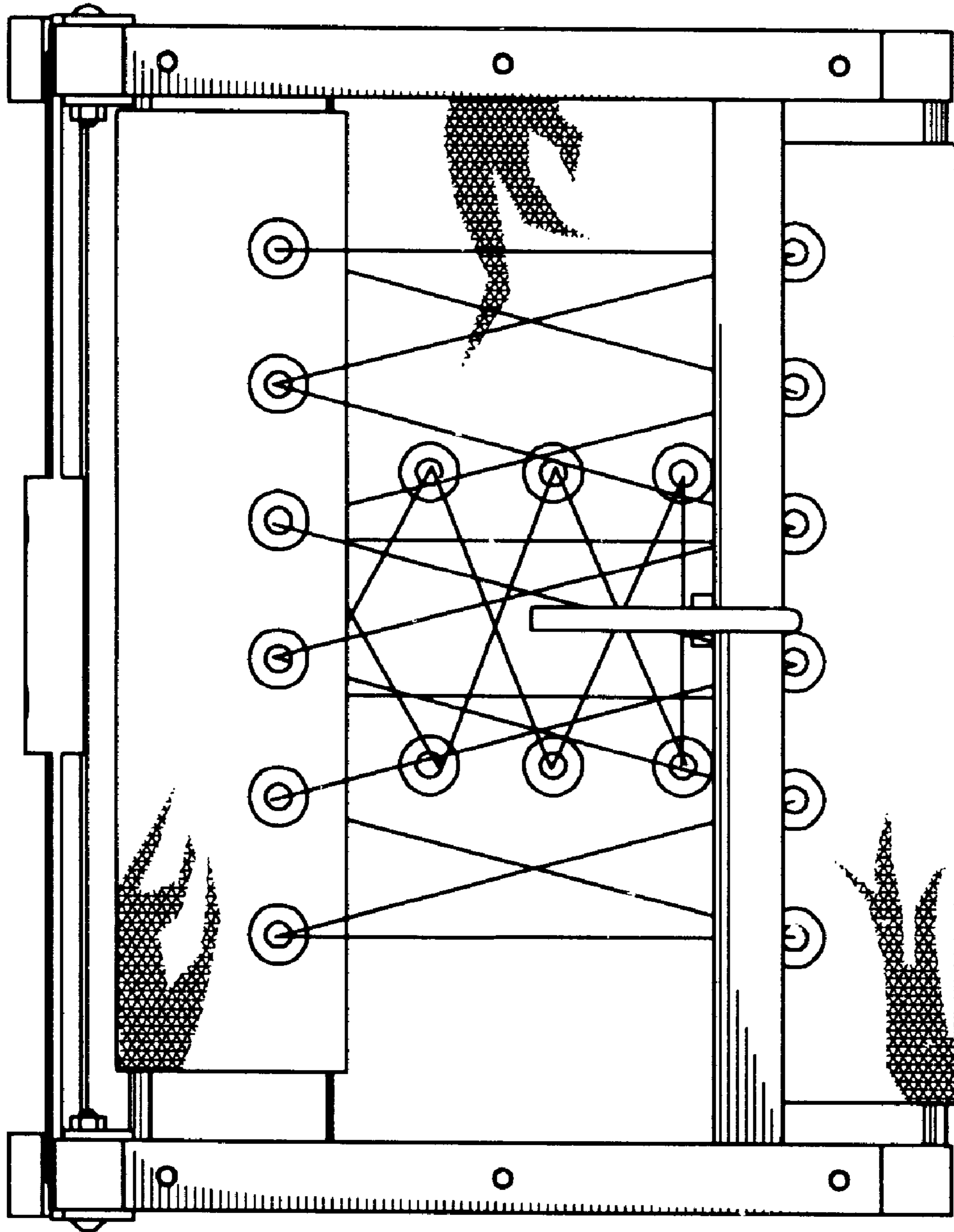


Fig. 9

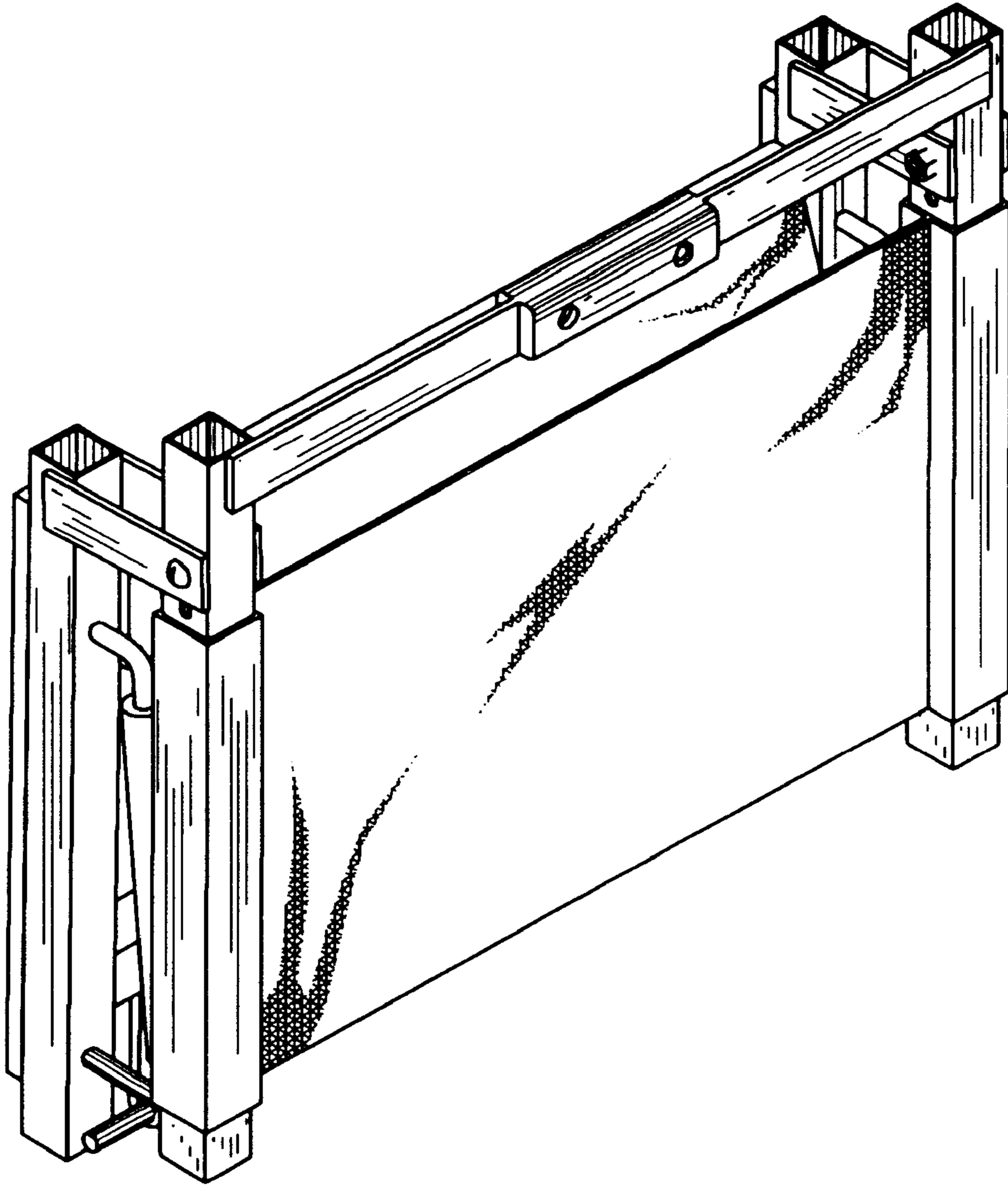


Fig. 10

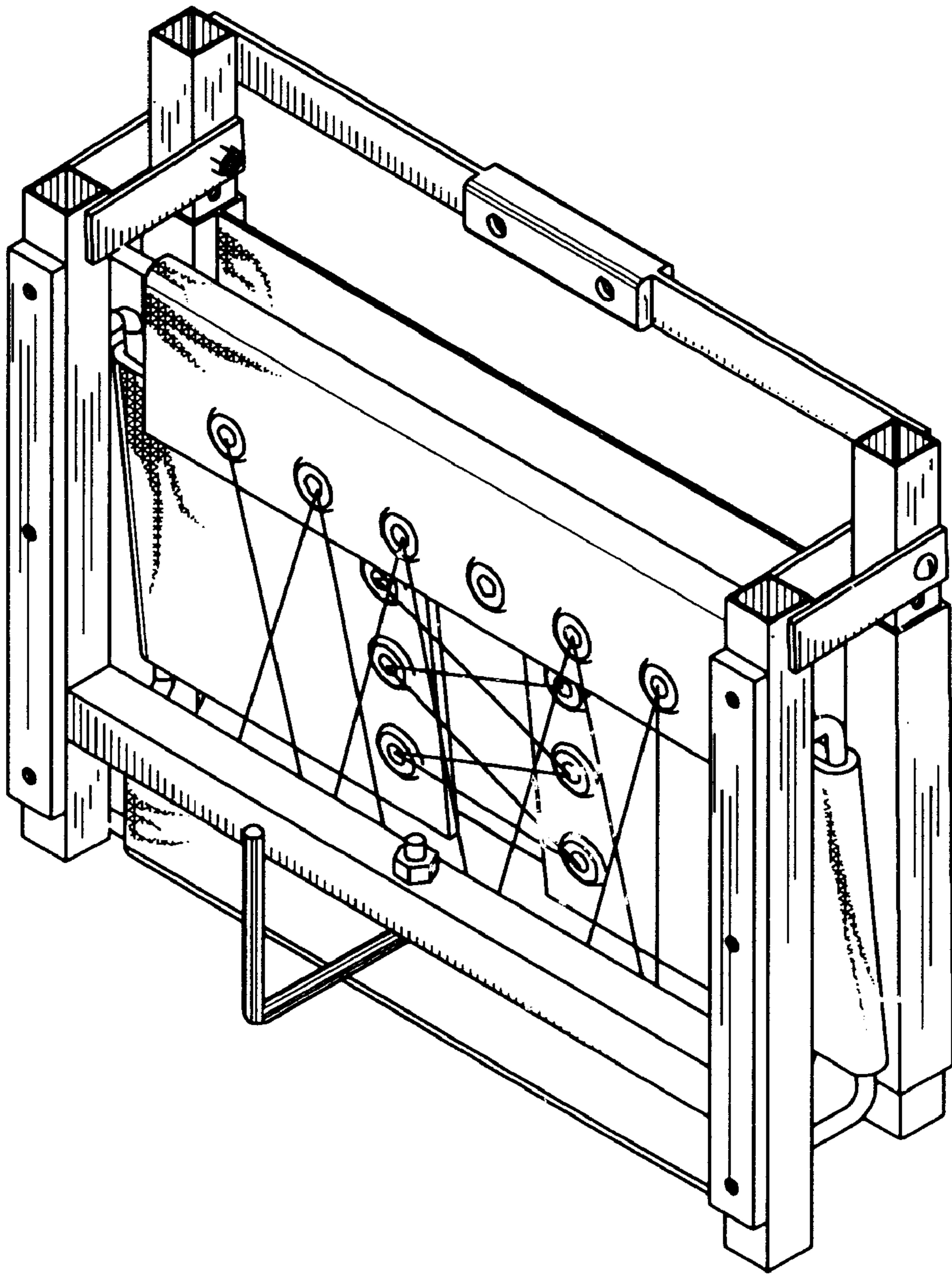


Fig. 11

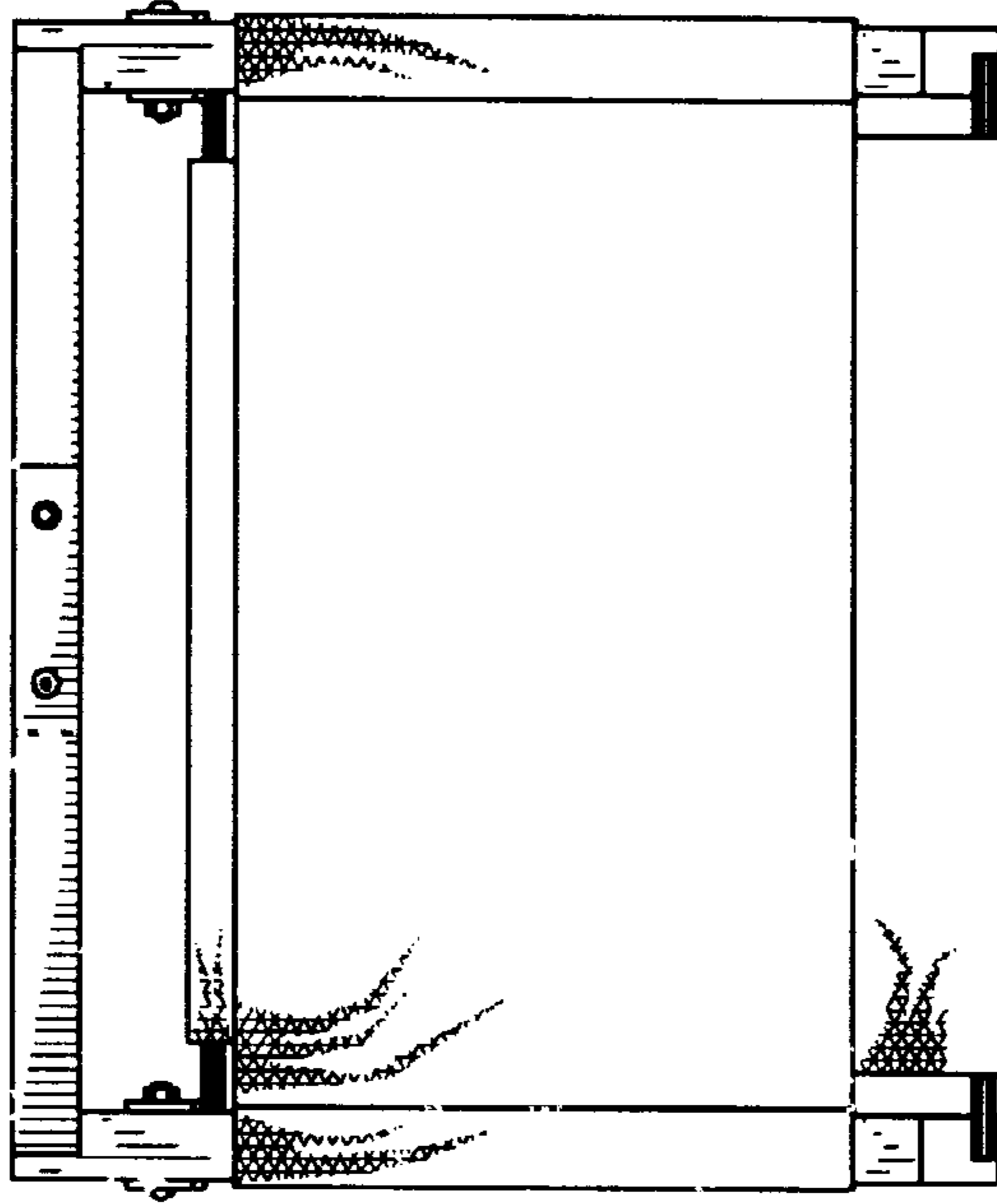


Fig. 12

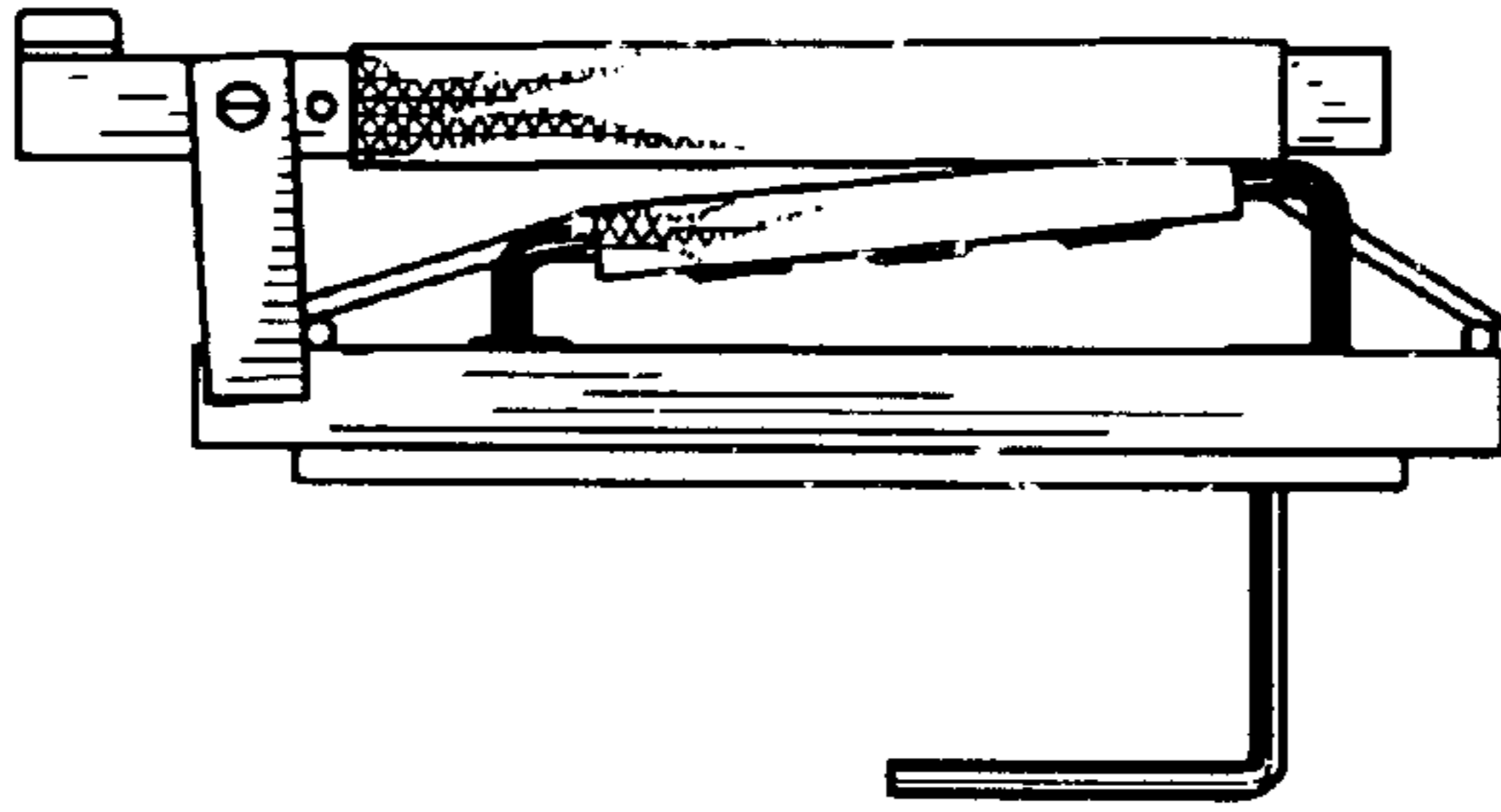


Fig. 13

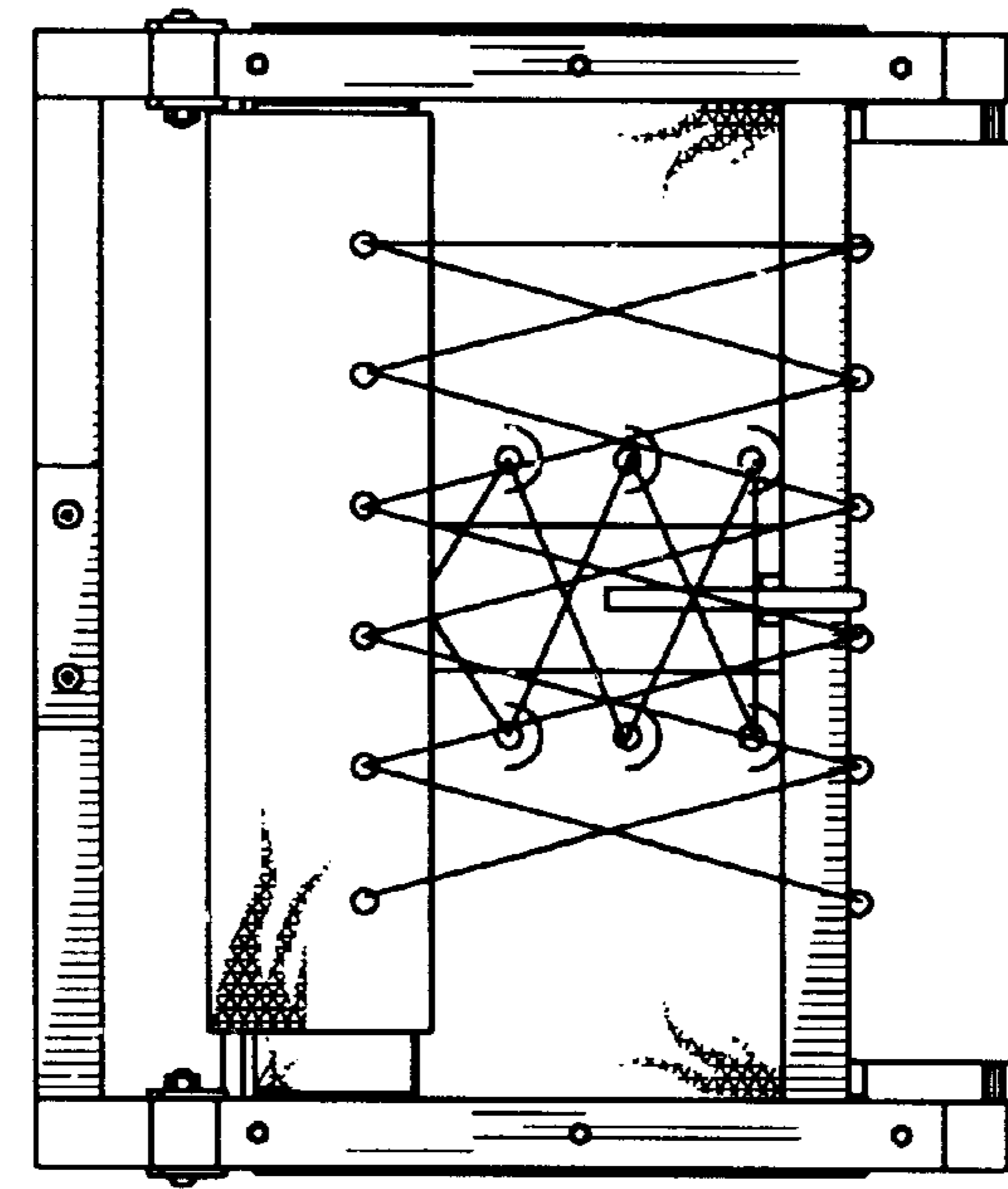


Fig. 14

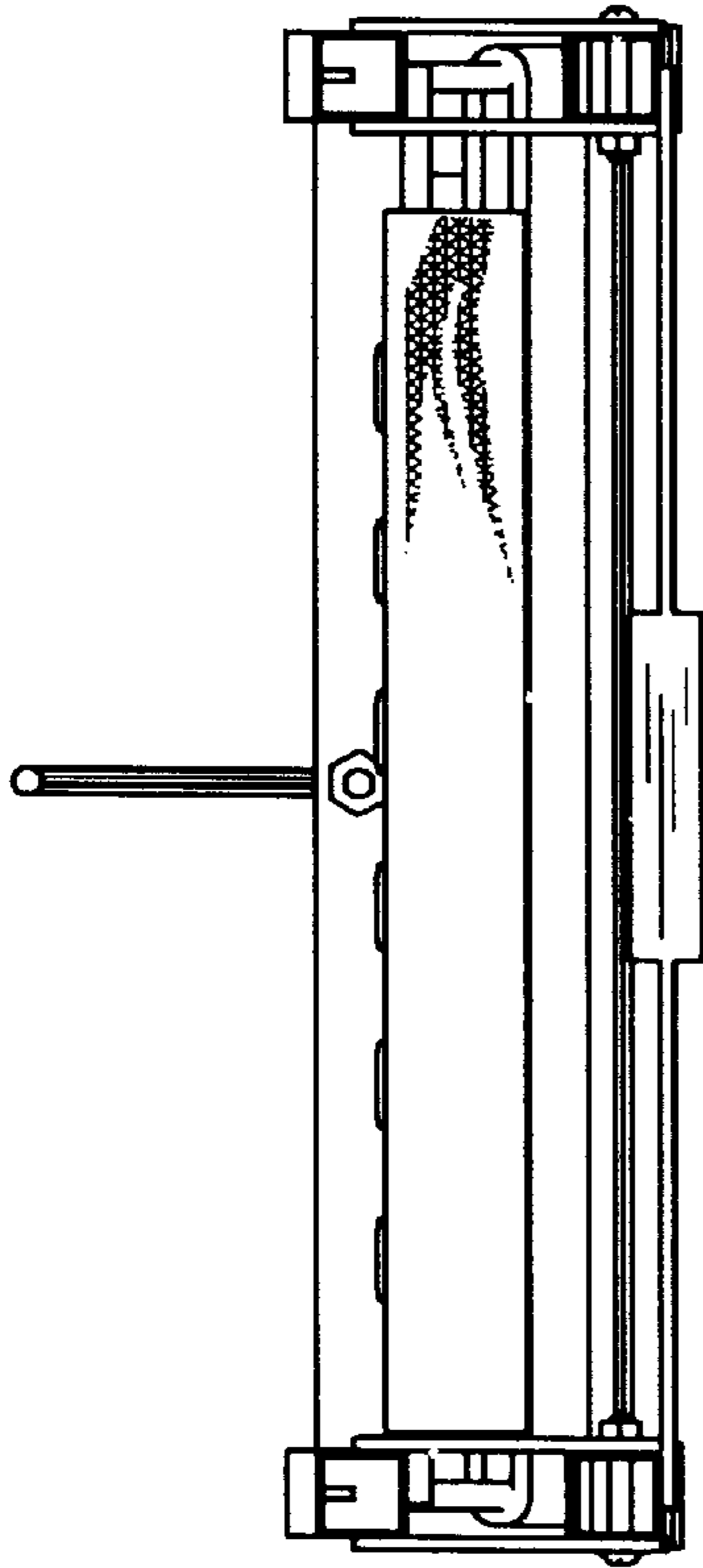


Fig. 15

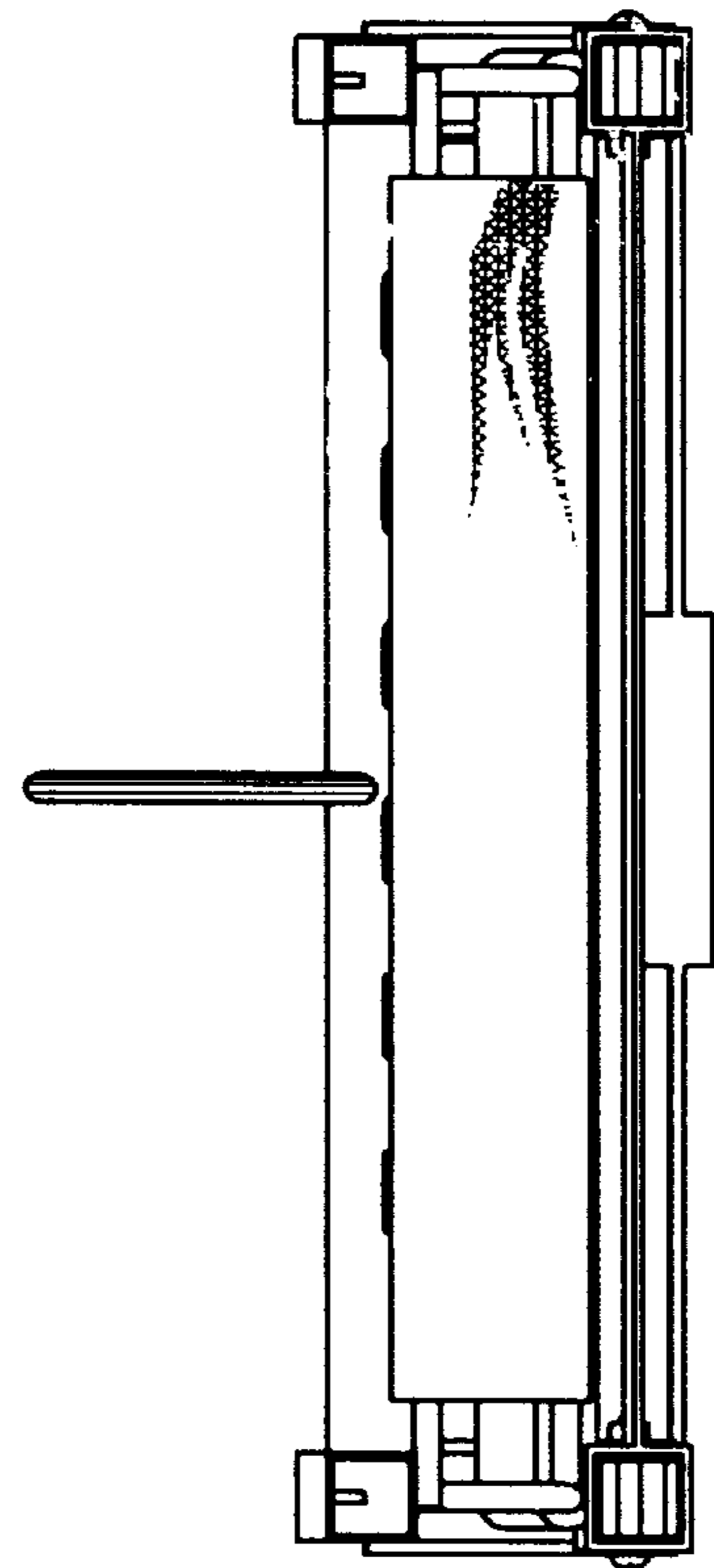


Fig. 16