



US00D468546S

(12) **United States Design Patent**
Tseng

(10) **Patent No.:** **US D468,546 S**

(45) **Date of Patent:** **** Jan. 14, 2003**

- (54) **SWING**
- (75) **Inventor:** **Chuen-Jong Tseng, Chiayi Hsien (TW)**
- (73) **Assignee:** **Shin Yeh Enterprise Co., Ltd., Chiayi Hsien (TW)**
- (**) **Term:** **14 Years**
- (21) **Appl. No.:** **29/157,746**
- (22) **Filed:** **Mar. 25, 2002**
- (51) **LOC (7) Cl.** **06-01**
- (52) **U.S. Cl.** **D6/347; D6/344**
- (58) **Field of Search** **D6/334, 335, 344, D6/347, 374, 375, 376, 381, 500-502; 297/273, 277, 280, 281, 282, 232, 452.13, 452.19, 452.2; 472/118, 122, 125**

- D439,423 S * 3/2001 Tseng D6/344
- D450,938 S * 11/2001 Liu D6/347
- D450,939 S * 11/2001 Liu D6/347

* cited by examiner

Primary Examiner—Doris V. Coles
Assistant Examiner—Mimosa De
(74) *Attorney, Agent, or Firm*—Ladas & Parry

(57) **CLAIM**

The ornamental design for swing, as shown and described.

DESCRIPTION

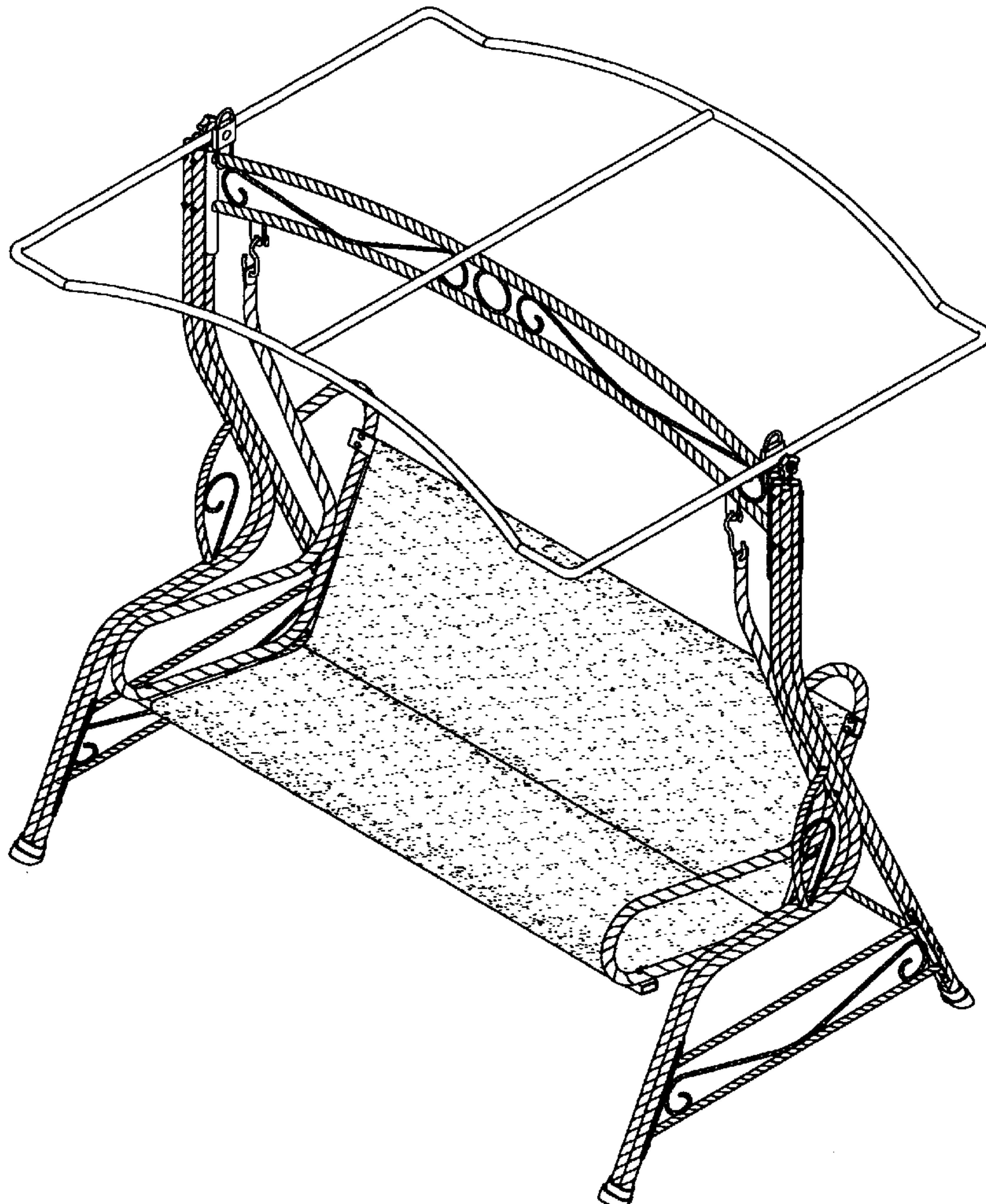
FIG. 1 is a perspective view of swing showing my new design;
FIG. 2 is a front elevational view thereof;
FIG. 3 is a rear elevational view thereof;
FIG. 4 is a left side elevational view thereof;
FIG. 5 is a right side elevational view thereof;
FIG. 6 is a top plan view thereof; and,
FIG. 7 is a bottom plan view thereof.

(56) **References Cited**

U.S. PATENT DOCUMENTS

- 5,876,289 A * 3/1999 Liu 472/118
- D417,791 S * 12/1999 Liu D6/347

1 Claim, 4 Drawing Sheets



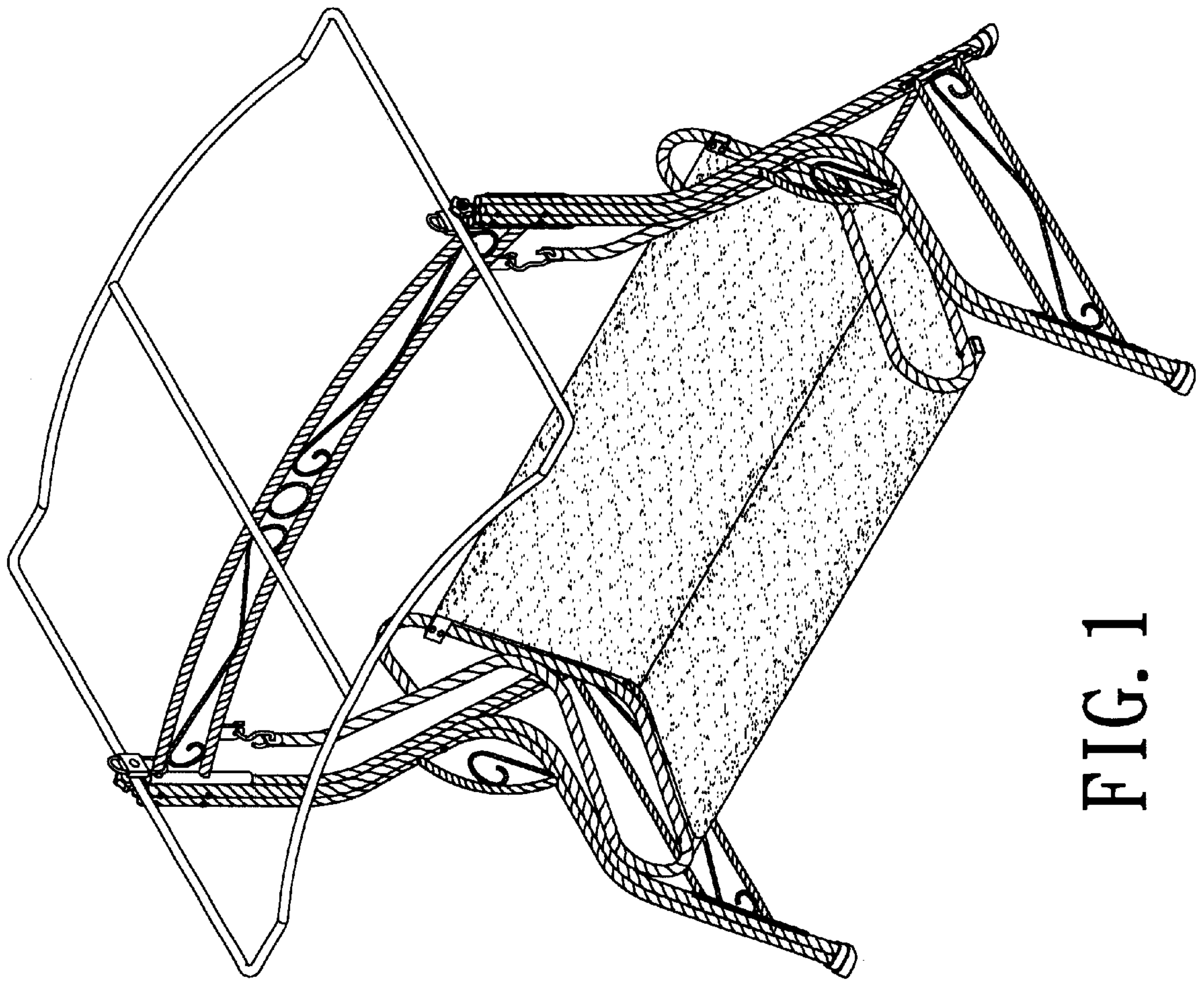


FIG. 1

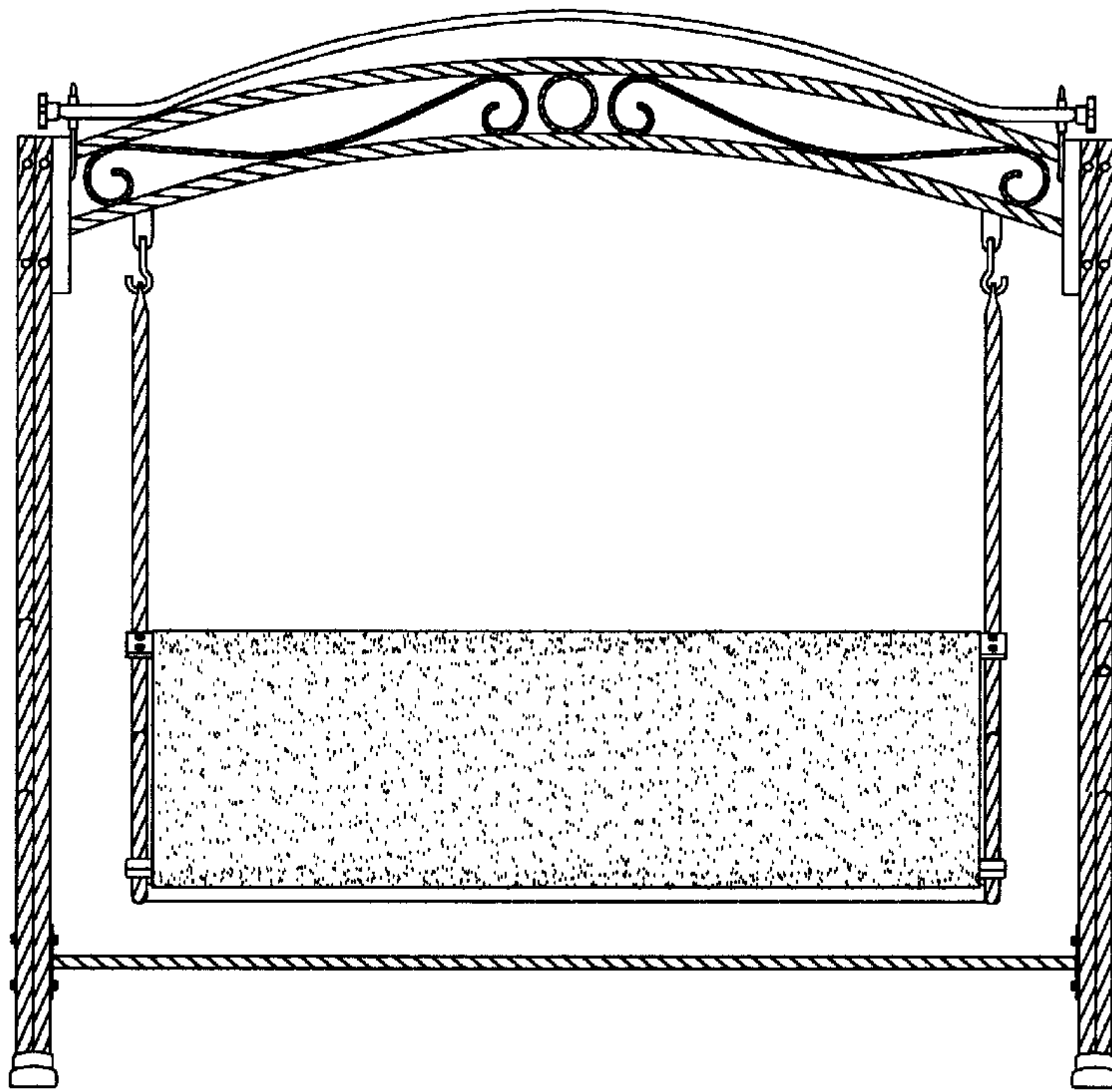


FIG. 2

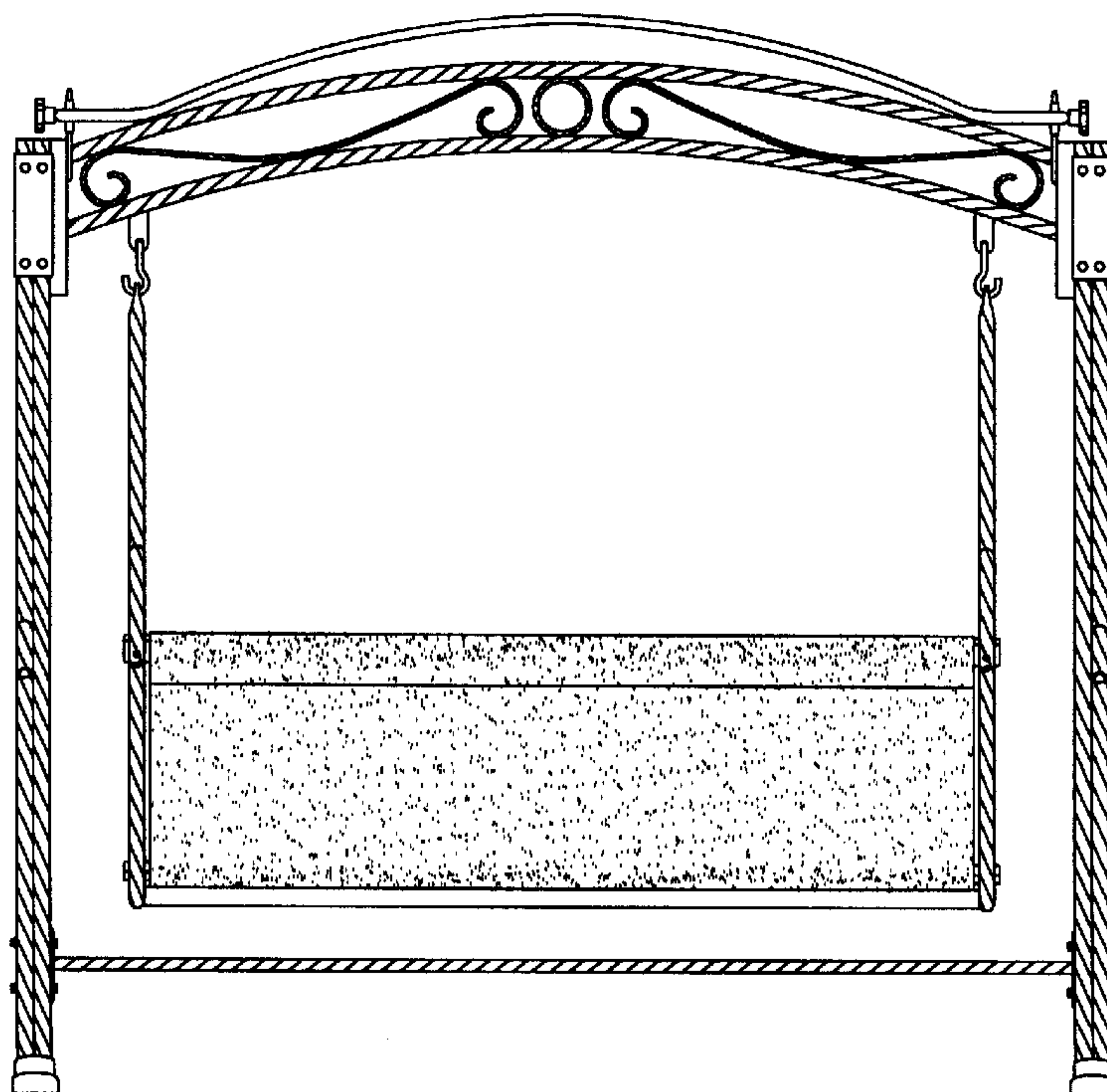


FIG. 3

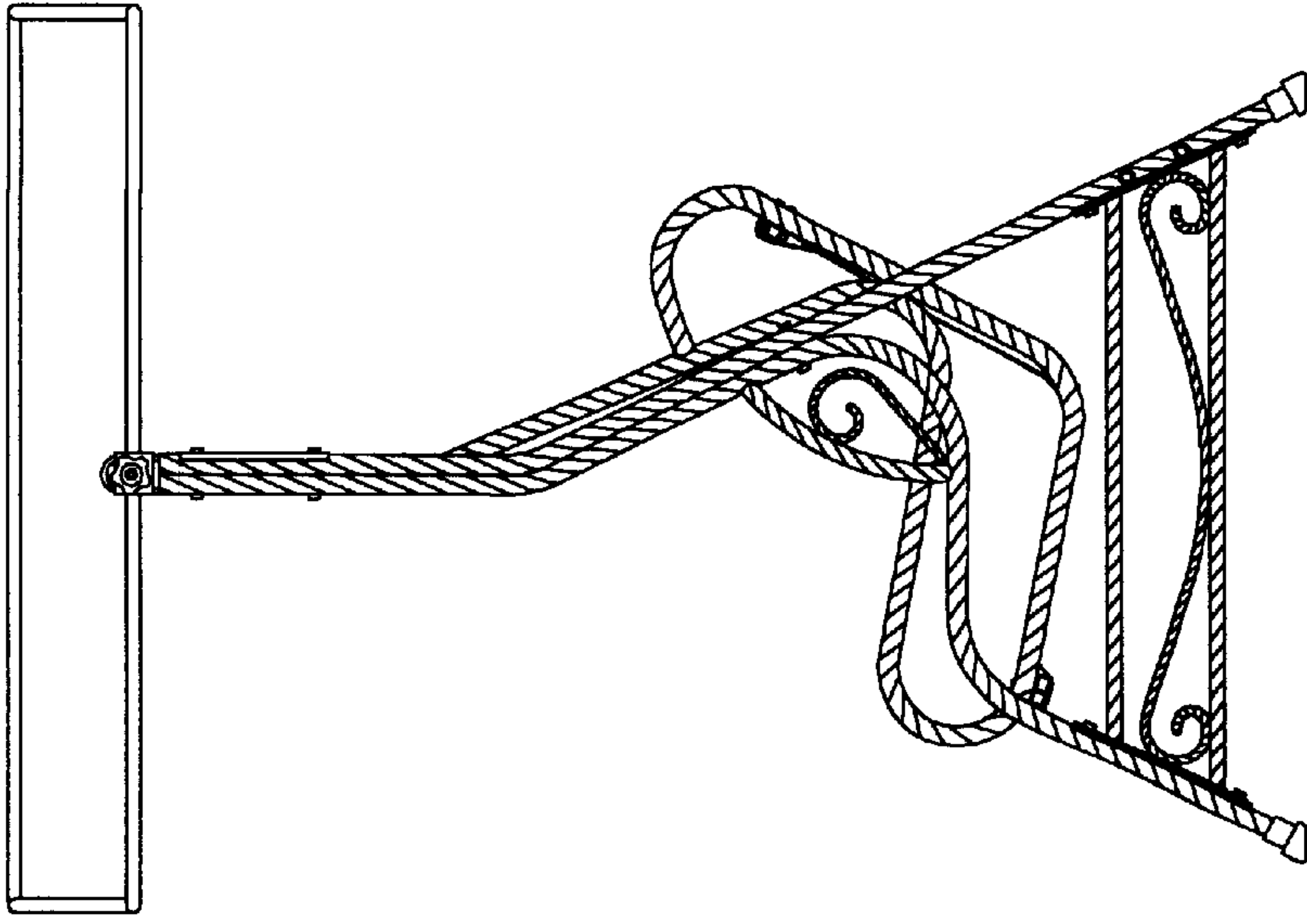


FIG. 5

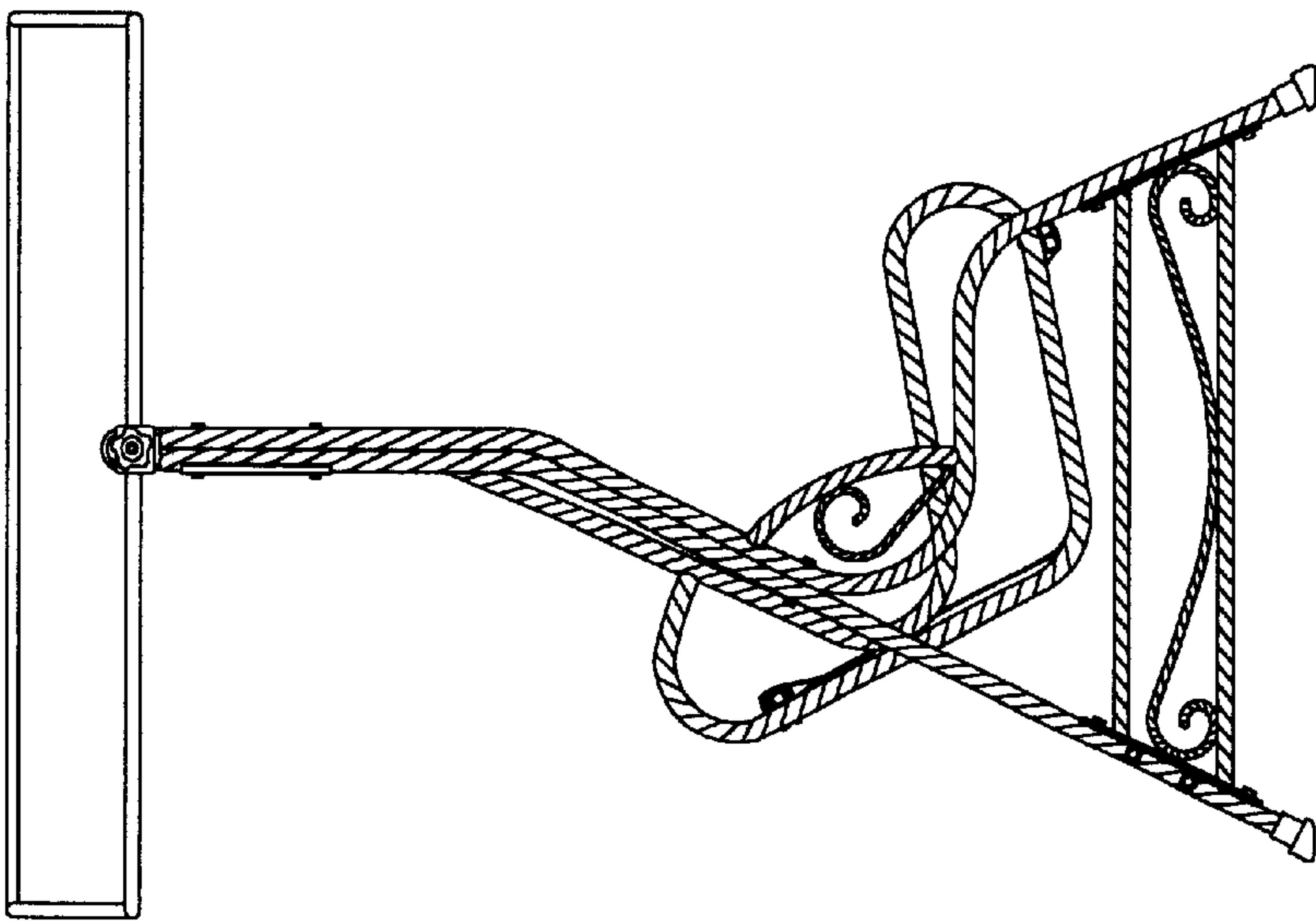


FIG. 4

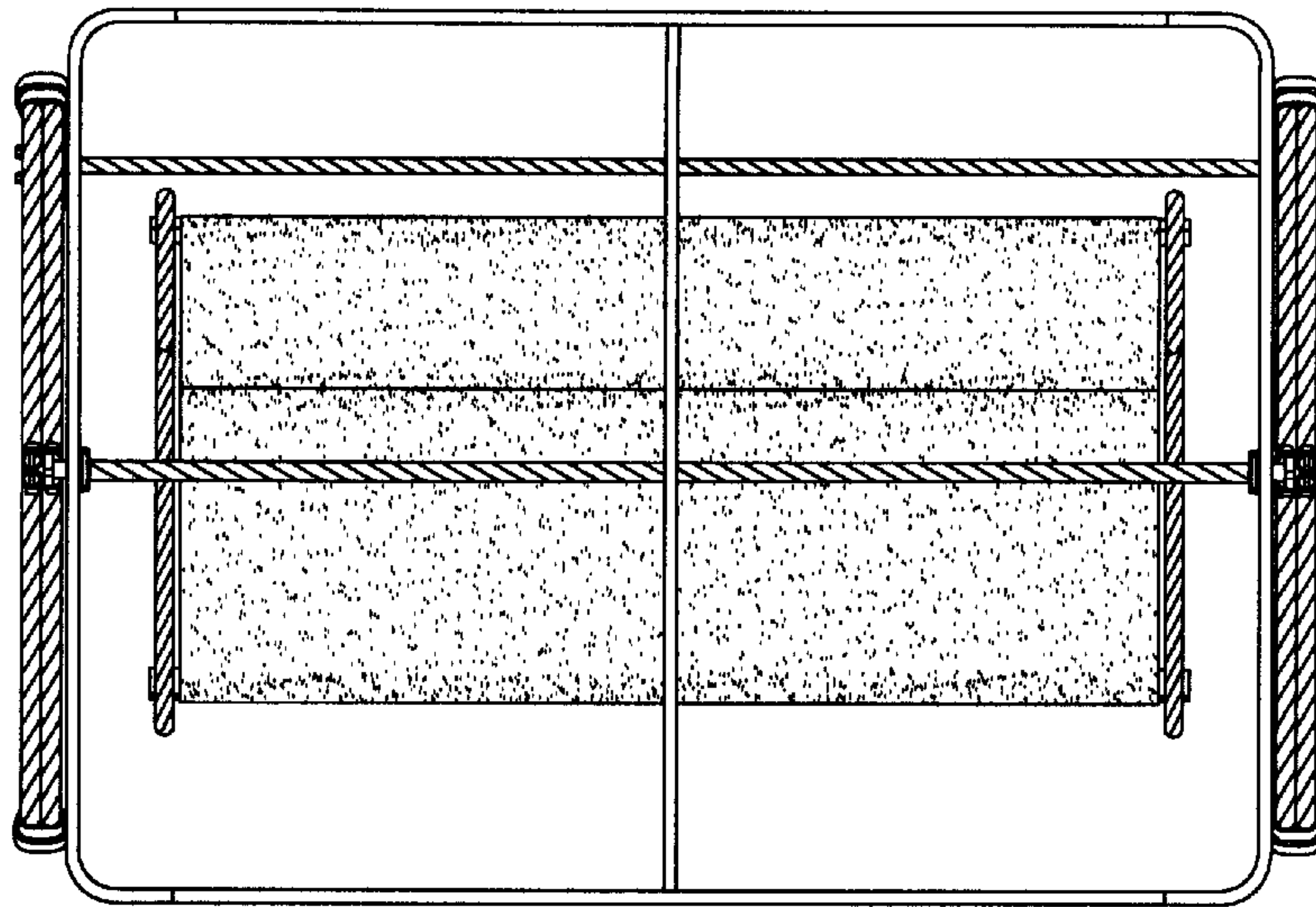


FIG. 6

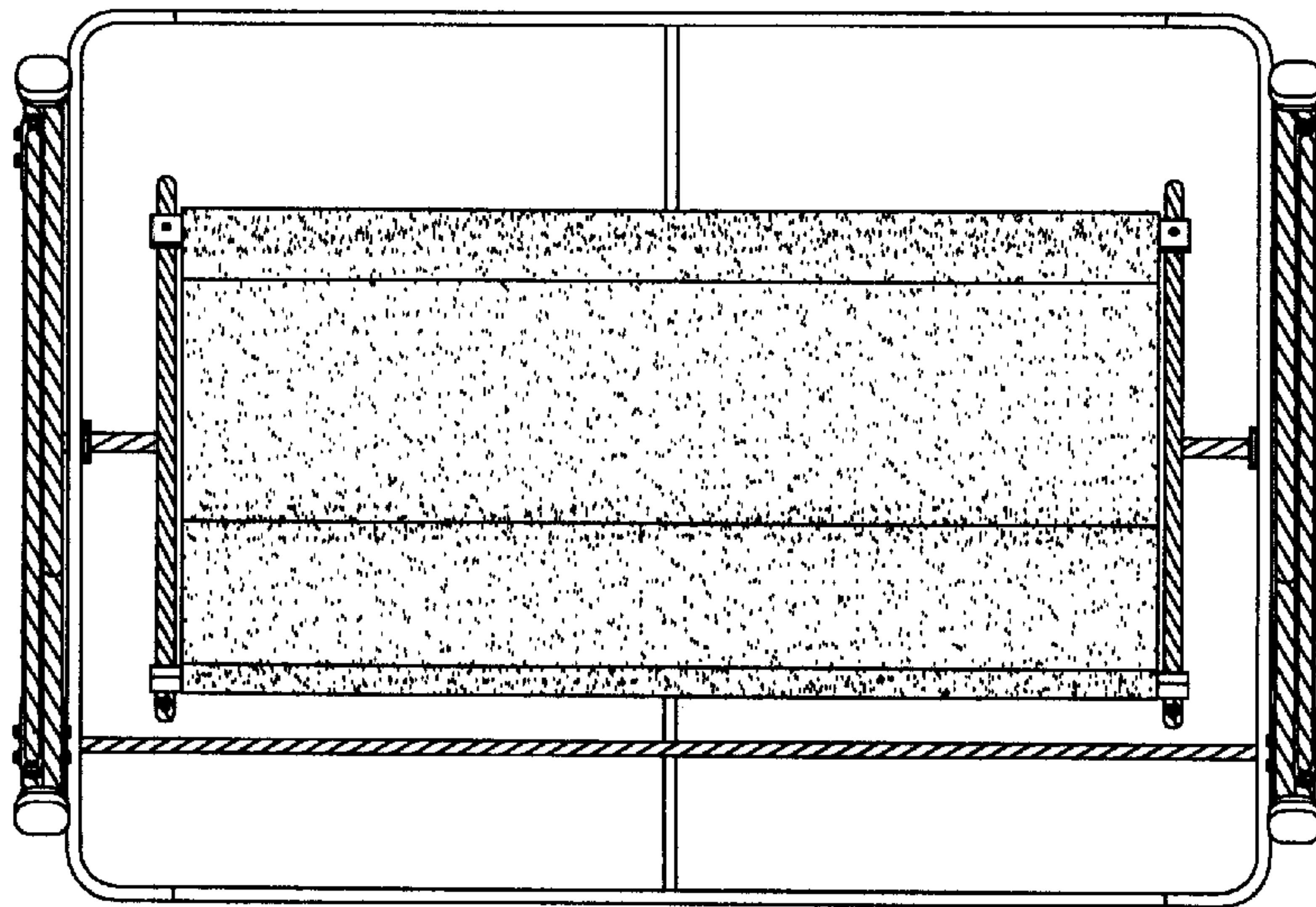


FIG. 7