



US00D468540S

(12) **United States Design Patent**  
**Jessen**

(10) **Patent No.:** **US D468,540 S**

(45) **Date of Patent:** **\*\* Jan. 14, 2003**

(54) **LINT ROLLER WITH HANDLE**

6,127,014 A 10/2000 McKay, Jr.

(75) **Inventor:** **Todd J. Jessen, St. Paul, MN (US)**

**FOREIGN PATENT DOCUMENTS**

(73) **Assignee:** **3M Innovative Properties Company, St. Paul, MN (US)**

JP 8-322778 12/1996  
JP 9-75293 3/1997  
WO WO 83/01734 5/1983

(\*\*) **Term:** **14 Years**

**OTHER PUBLICATIONS**

(21) **Appl. No.:** **29/152,614**

“Nitoms Colo-colo Cleaner”, [retrieved from internet on Feb. 11, 2002], URL [http://www.nitoms.com/seihin/2\\_b.html](http://www.nitoms.com/seihin/2_b.html), and [http://www.nitoms.com/kaisha/1\\_c.html](http://www.nitoms.com/kaisha/1_c.html) 4 pages, in Japanese (translation attached) by Nitoms Inc., 2000.

(22) **Filed:** **Dec. 20, 2001**

(51) **LOC (7) Cl.** ..... **04-02**

(52) **U.S. Cl.** ..... **4/122**

(58) **Field of Search** ..... D4/122, 127, 128,  
D4/138; 15/27, 104.002, 143.1, 230.11;  
16/110.1, 430; 492/13

U.S. patent application Ser. No. 29/151,674, filed Nov. 9, 2001 Jessen et al.  
U.S. patent application Ser. No. 10/011,139 filed Nov. 9, 2001 Jessen et al.  
U.S. patent application Ser. No. 29/151,486, filed Nov. 9, 2001 Jessen et al.

(56) **References Cited**

**U.S. PATENT DOCUMENTS**

D196,356 S	*	9/1963	McKay	.....	D4/122
3,192,548 A		7/1965	Wilbrecht		
3,381,325 A		5/1968	Reineman		
3,421,170 A		1/1969	Thomas, Jr.		
3,623,179 A		11/1971	Roth		
3,742,547 A		7/1973	Sohmer		
3,906,578 A		9/1975	Huber		
4,361,923 A		12/1982	McKay		
4,399,579 A		8/1983	McKay		
4,422,201 A		12/1983	McKay		
D276,763 S	*	12/1984	McKay	.....	D4/122
D281,654 S		12/1985	Bladh et al.		
D288,973 S		3/1987	Hamazaki		
4,905,337 A		3/1990	McKay		
5,027,465 A		7/1991	McKay		
D336,784 S		6/1993	Yen		
5,333,341 A		8/1994	Heneveld		
5,338,300 A		8/1994	Cox		
5,763,038 A		6/1998	Wood		
D396,906 S		8/1998	Medici		
5,878,457 A	*	3/1999	Cox et al.	.....	15/104.002
5,924,157 A		7/1999	Barela		
5,940,921 A		8/1999	Wood et al.		
D422,793 S	*	4/2000	Levin et al.	.....	D4/127
D423,790 S	*	5/2000	Solberg	.....	D4/122
6,055,695 A		5/2000	McKay, Jr.		

\* cited by examiner

*Primary Examiner*—Alan P. Douglas  
*Assistant Examiner*—Lavone Tabor  
(74) *Attorney, Agent, or Firm*—Melissa E. Buss

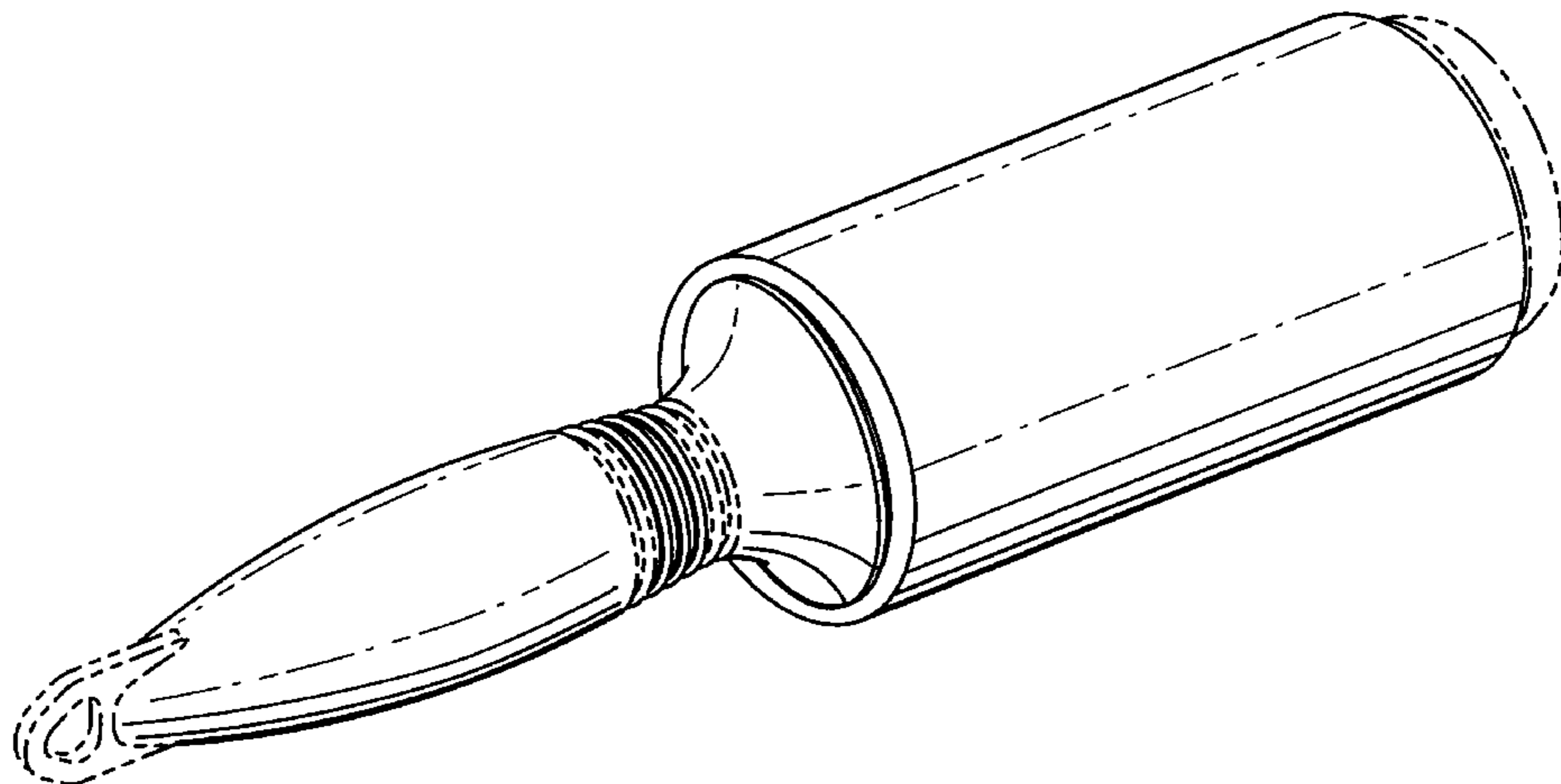
(57) **CLAIM**

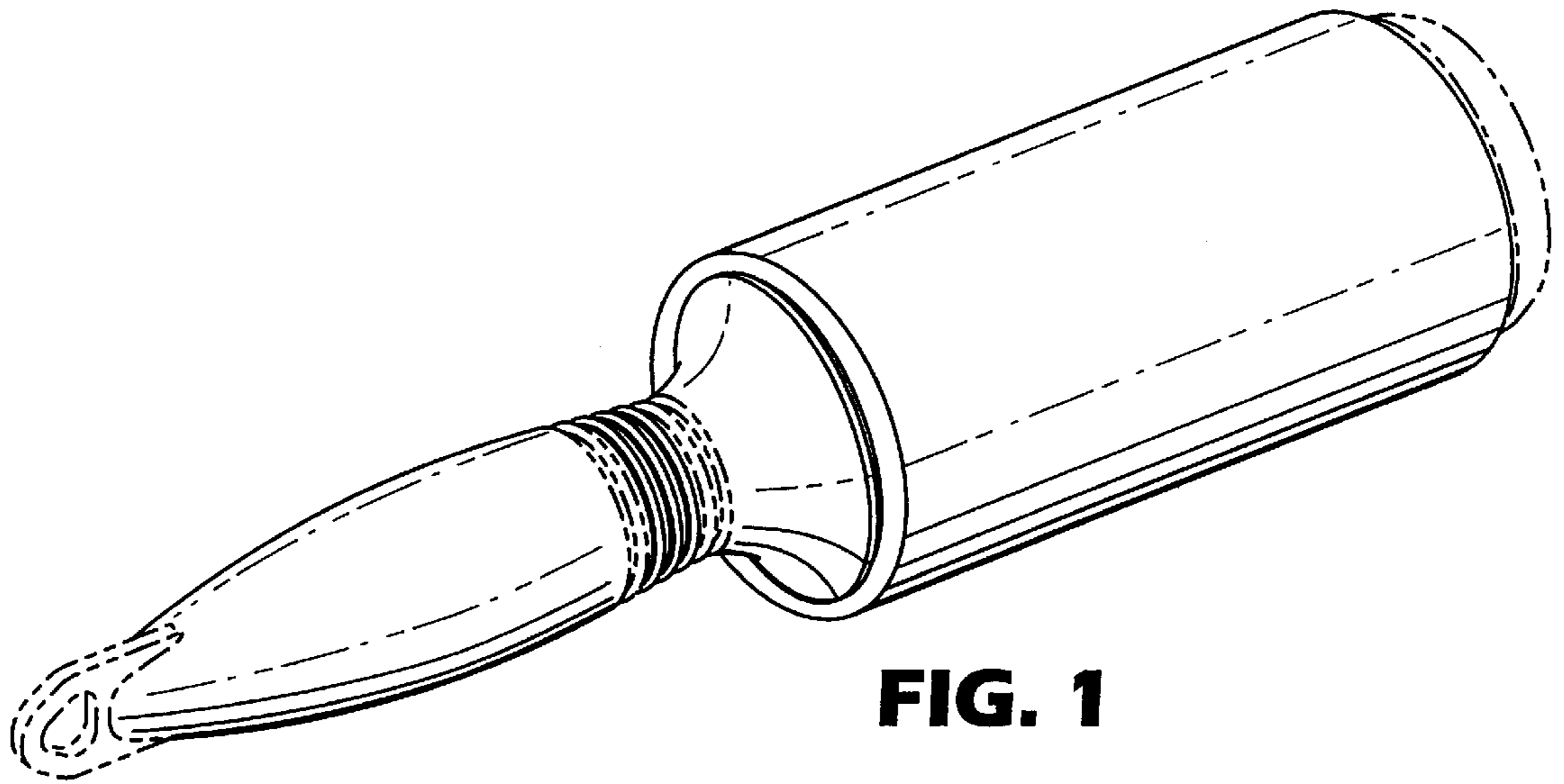
The ornamental design for a lint roller with handle, as shown and described.

**DESCRIPTION**

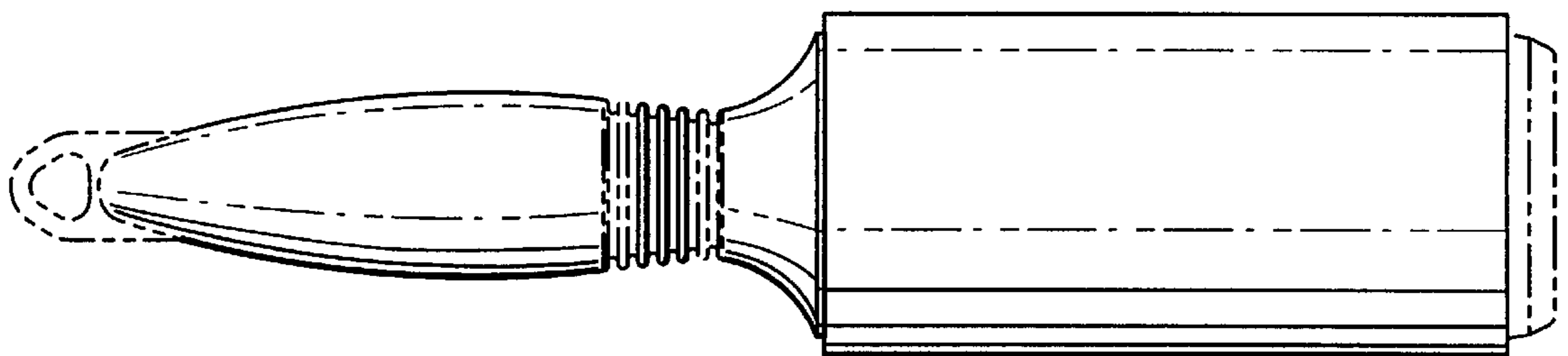
FIG. 1 is an isometric view of a lint roller with handle; FIG. 2 is a right side view thereof; FIG. 3 is a top plan view thereof; FIG. 4 is a rear view thereof; and, FIG. 5 is a front view thereof. The left side view of the lint roller with handle is a mirror image of the right side view. The broken lines immediately adjacent the shaded areas represent the bounds of the claimed design and the environmental broken lines are for illustrative purposes only, none of which form part of the claimed design.

**1 Claim, 1 Drawing Sheet**

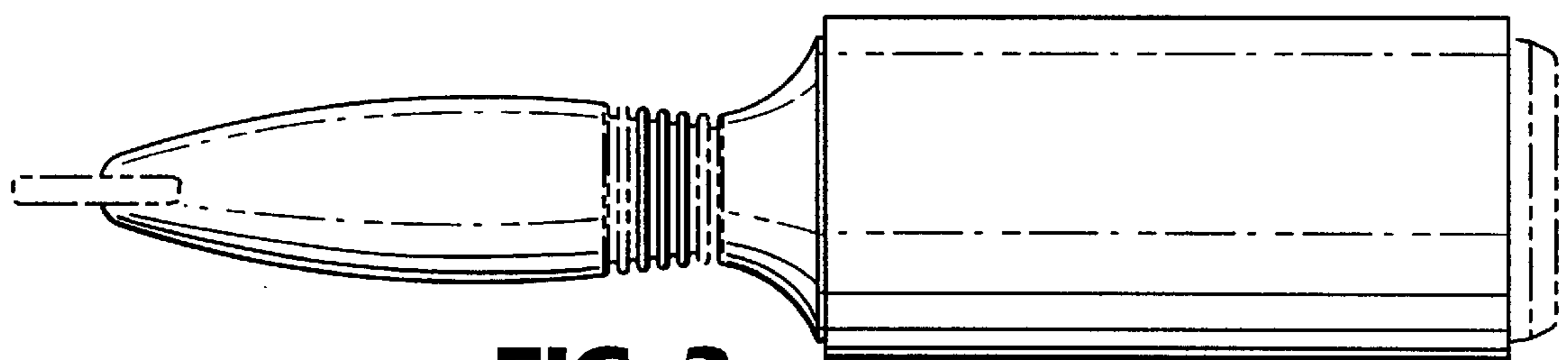




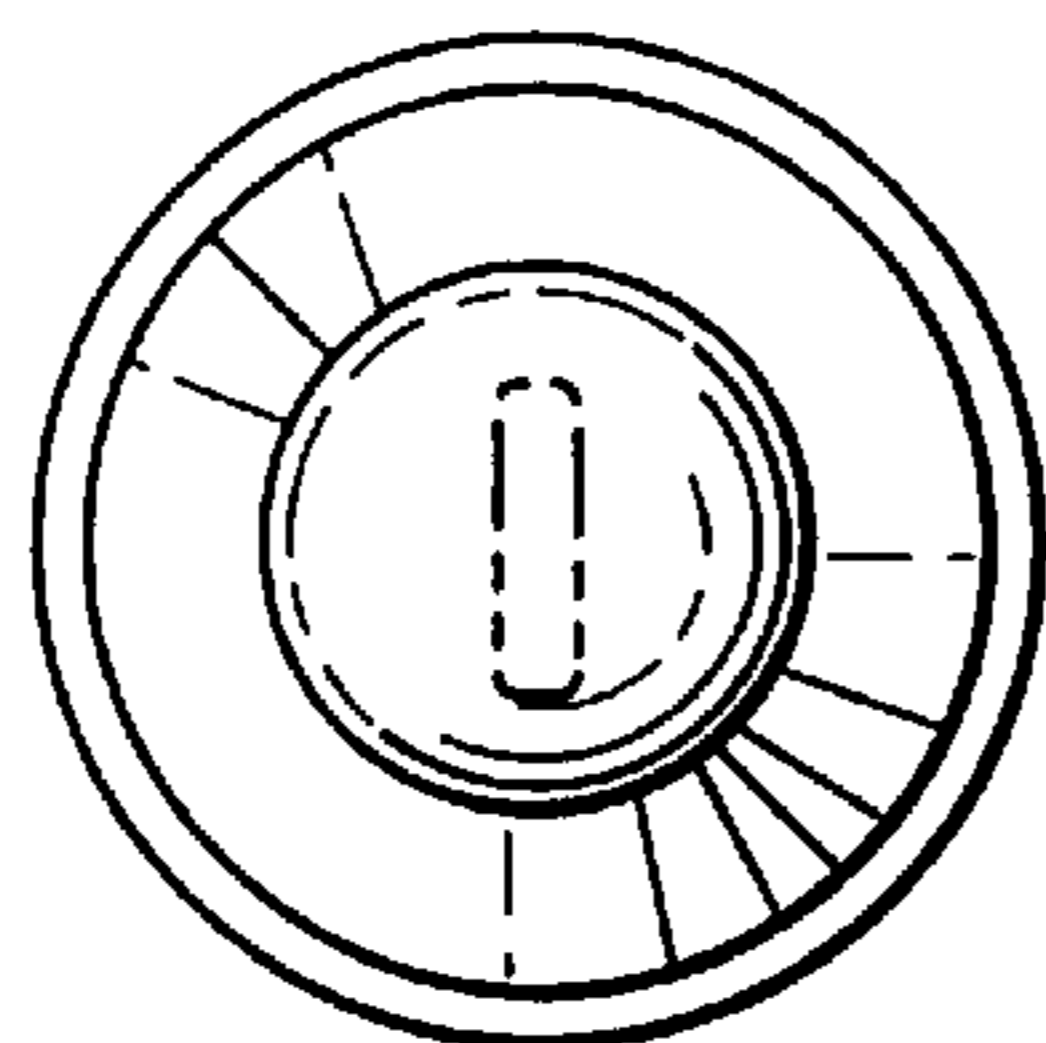
**FIG. 1**



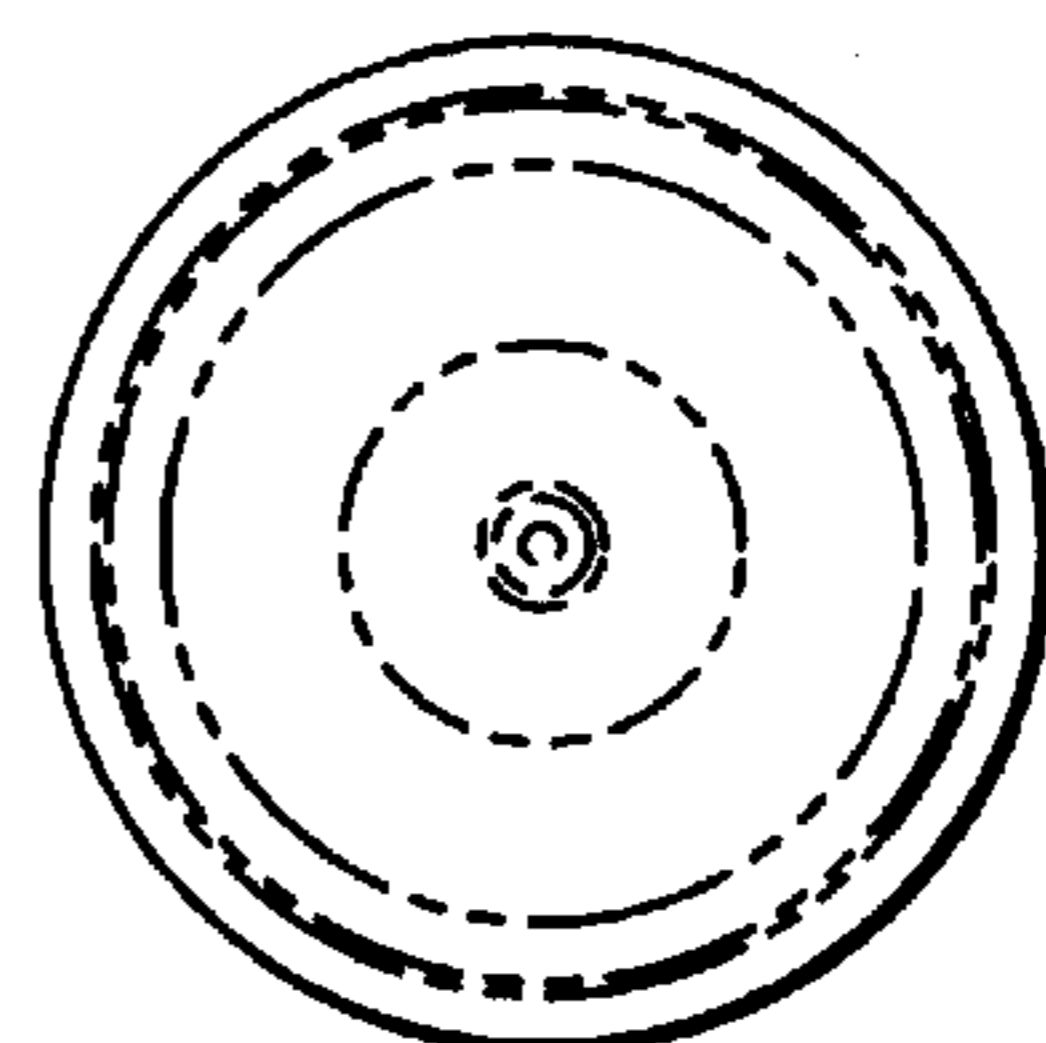
**FIG. 2**



**FIG. 3**



**FIG. 4**



**FIG. 5**