



US00D468537S

(12) **United States Design Patent**
Snider

(10) **Patent No.:** **US D468,537 S**

(45) **Date of Patent:** **** Jan. 14, 2003**

- (54) **HANDLE FOR A STORAGE BAG**
- (75) Inventor: **Gregory Scott Snider**, Bel Air, MD (US)
- (73) Assignee: **Black & Decker Inc.**, Newark, DE (US)
- (**) Term: **14 Years**
- (21) Appl. No.: **29/127,249**
- (22) Filed: **Aug. 2, 2000**
- (51) **LOC (7) Cl.** **03-01**
- (52) **U.S. Cl.** **D3/318; D3/327**
- (58) **Field of Search** **D3/273, 276, 318, D3/327, 328; D9/434; D8/10, 107; 16/110.1, 442, 444; 206/373**

- D331,652 S * 12/1992 Wu D12/178
- D361,935 S * 9/1995 Johnson D9/434
- D393,190 S * 4/1998 Garrison et al. D8/10
- 5,806,904 A * 9/1998 Smith 215/396
- D417,393 S * 12/1999 DiMeo et al. D9/434
- D441,653 S * 5/2001 LeRoux D9/434
- D447,340 S * 9/2001 Snider D3/276
- D447,630 S * 9/2001 Snider D3/276
- D451,779 S * 12/2001 du Sartel D3/318

* cited by examiner

Primary Examiner—Philip S. Hyder

(74) *Attorney, Agent, or Firm*—Harness, Dickey & Pierce, P.L.C.

(57) **CLAIM**

The ornamental design for a handle for a storage bag, as shown and described.

DESCRIPTION

FIG. 1 is a front perspective view of a handle for a storage bag (the dashed line showing of a storage bag is for environmental purposes and is not considered part of the design);

FIG. 2 is a front view thereof (the rear view is the same as the front view);

FIG. 3 is a top view thereof; and,

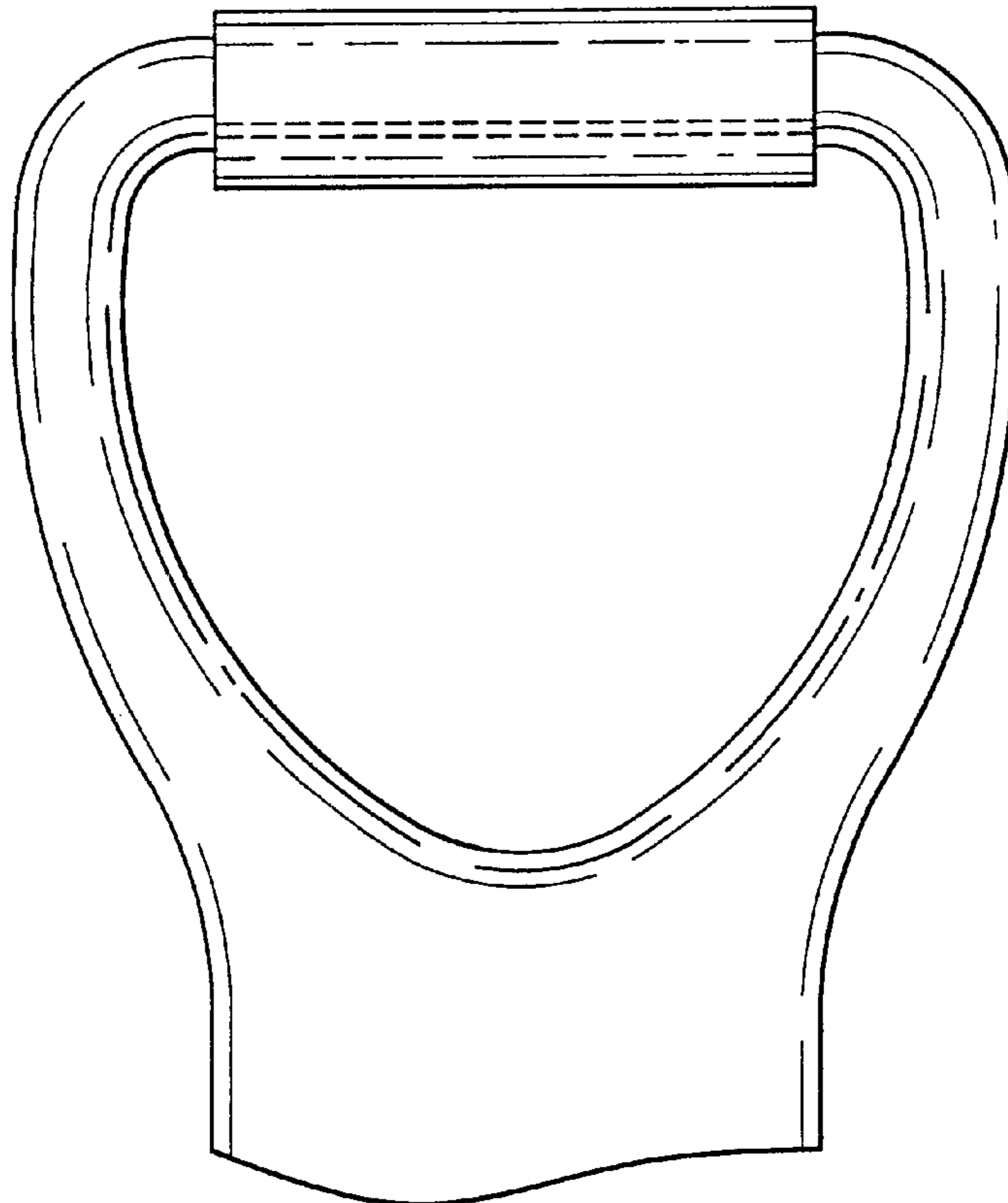
FIG. 4 is a right side view thereof (the left side view is the same as the right side).

1 Claim, 2 Drawing Sheets

(56) **References Cited**

U.S. PATENT DOCUMENTS

- 1,251,404 A 12/1917 Mills
- 1,359,461 A 11/1920 Luce
- 2,502,486 A 4/1950 Savrin
- 2,554,004 A 5/1951 Bergstein
- 4,140,164 A 2/1979 Staup
- D257,426 S * 10/1980 D'Alo D3/327
- 4,703,517 A 10/1987 Marino
- 4,836,374 A 6/1989 Hutchins et al.
- D302,234 S * 7/1989 McNamee et al. D3/315



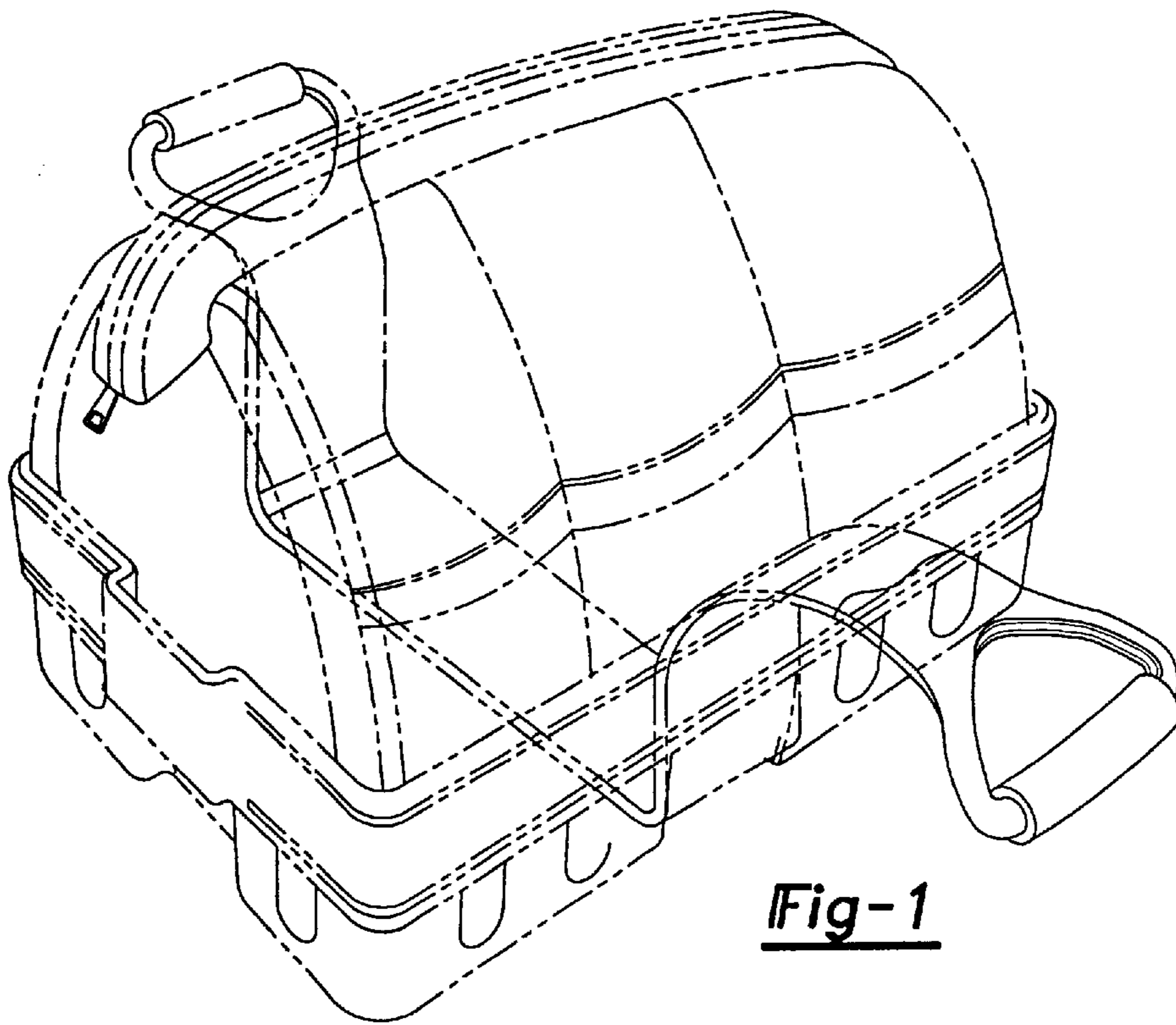


Fig-1

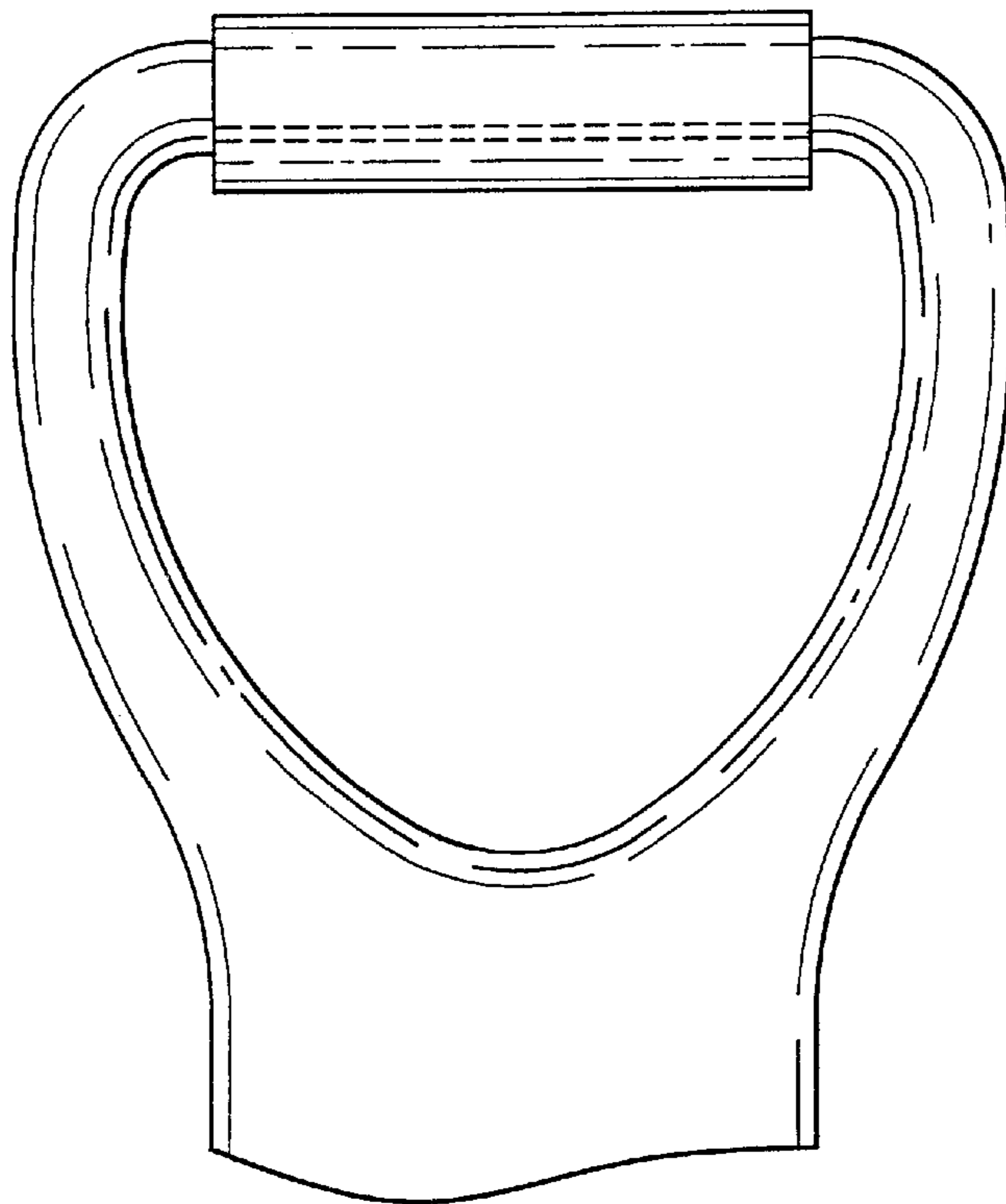


Fig-2

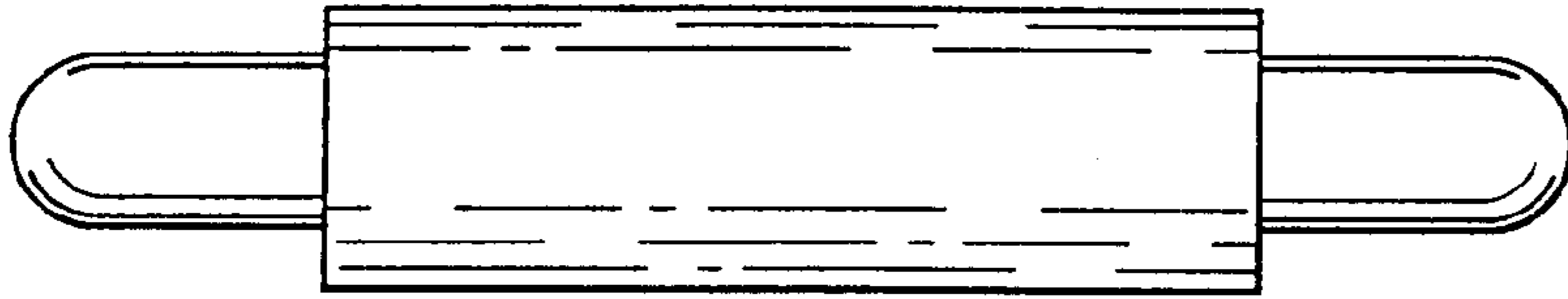


Fig-3

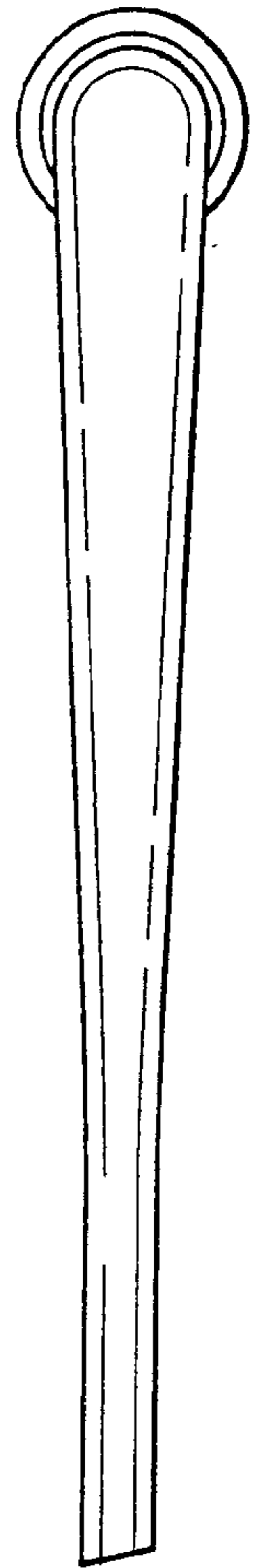


Fig-4