



US00D468533S

(12) **United States Design Patent**
MacRae et al.

(10) **Patent No.:** **US D468,533 S**
(45) **Date of Patent:** **** Jan. 14, 2003**

(54) **WEEKENDER TRAVEL BAG**

(76) Inventors: **Deborah L. MacRae**, P.O. Box 281,
Truro, Nova Scotia (CA), B2N-1C1;
Charles P. Sproule, 338 MacKenzie
Road, Truro, Nova Scotia (CA),
B2N-5C1

(**) Term: **14 Years**

(21) Appl. No.: **29/156,648**

(22) Filed: **Mar. 6, 2002**

(51) **LOC (7) Cl.** **03-01**

(52) **U.S. Cl.** **D3/287; D3/283; D3/286**

(58) **Field of Search** **D3/283, 276, 273,**
D3/286, 287, 289, 290; 190/100, 109, 110,
111, 112, 113

(56) **References Cited**

U.S. PATENT DOCUMENTS

3,263,246 A	8/1966	Towery	
D231,042 S	* 3/1974	Lee	D3/289
4,160,496 A	7/1979	Knight	190/43
D269,226 S	* 6/1983	Stark	D3/287
D273,057 S	* 3/1984	Katz et al.	D3/287
D273,534 S	* 4/1984	Weinreb	D3/268
D279,525 S	* 7/1985	Allen	D3/287
D280,865 S	* 10/1985	Bomes et al.	D3/287

D284,425 S	* 7/1986	Allen	D3/287
D291,149 S	* 8/1987	Smith	D3/287
4,773,515 A	* 9/1988	Kotkins, Jr.	190/103
4,895,230 A	1/1990	King	190/107
4,953,673 A	9/1990	Ambasz	190/103
D329,329 S	* 9/1992	Bomes et al.	D3/279
D371,052 S	* 6/1996	Melk	D7/607
D376,044 S	* 12/1996	Trawick et al.	D3/283
5,628,398 A	5/1997	Jackson	206/287.1
D401,062 S	* 11/1998	Hauschild	D3/283

* cited by examiner

Primary Examiner—Philip S. Hyder

(74) *Attorney, Agent, or Firm*—Donald R. Schoonover

(57) **CLAIM**

I claim the ornamental design for a weekender travel bag, as shown and described.

DESCRIPTION

FIG. 1 is a perspective view of a weekender travel bag embodying the design of the present invention.

FIG. 2 is a front elevational view thereof;

FIG. 3 is a rear elevational view thereof;

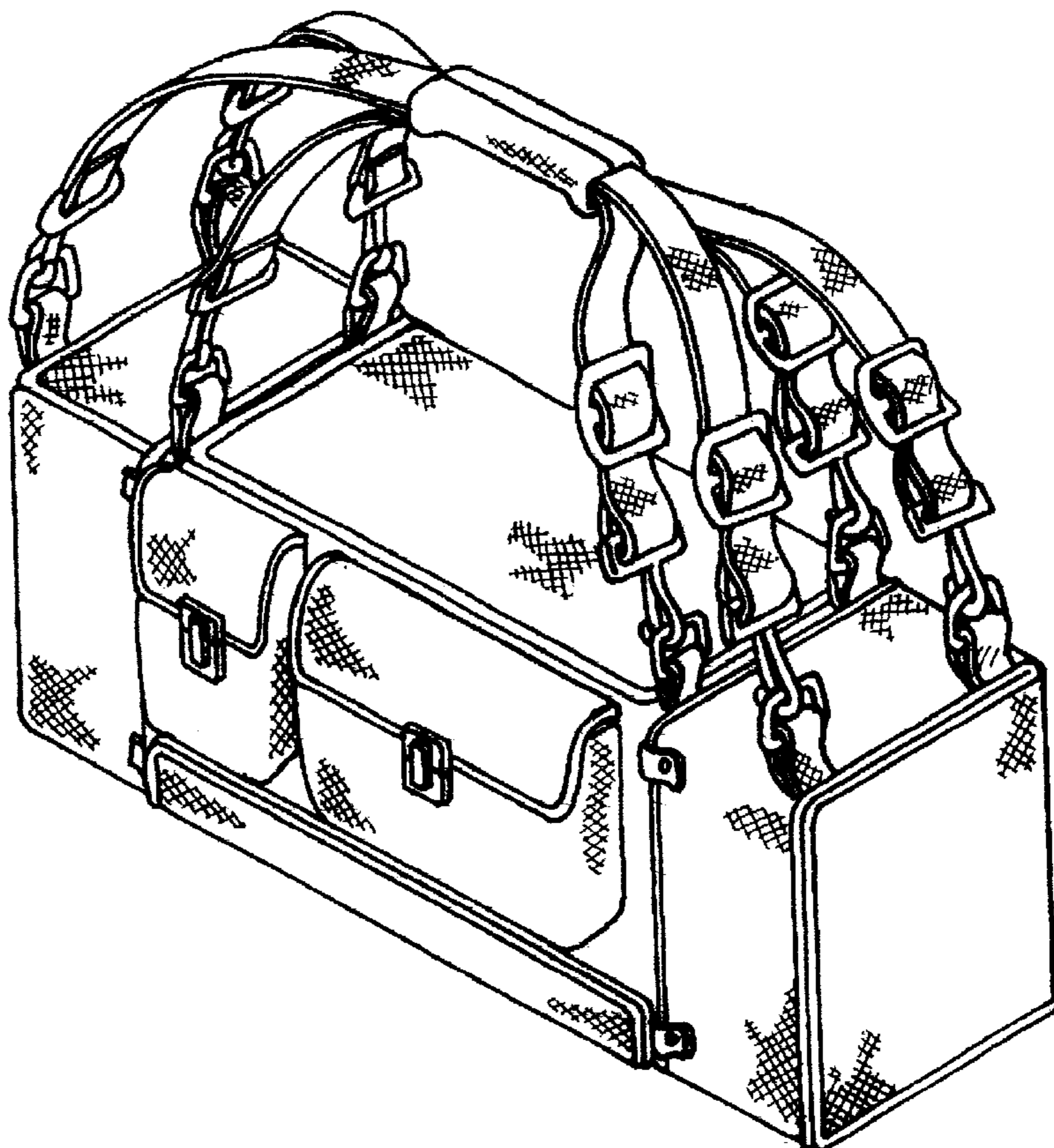
FIG. 4 is a left side elevational view thereof;

FIG. 5 is a right side elevational view thereof;

FIG. 6 is a top plan view thereof; and,

FIG. 7 is a bottom plan view thereof.

1 Claim, 4 Drawing Sheets



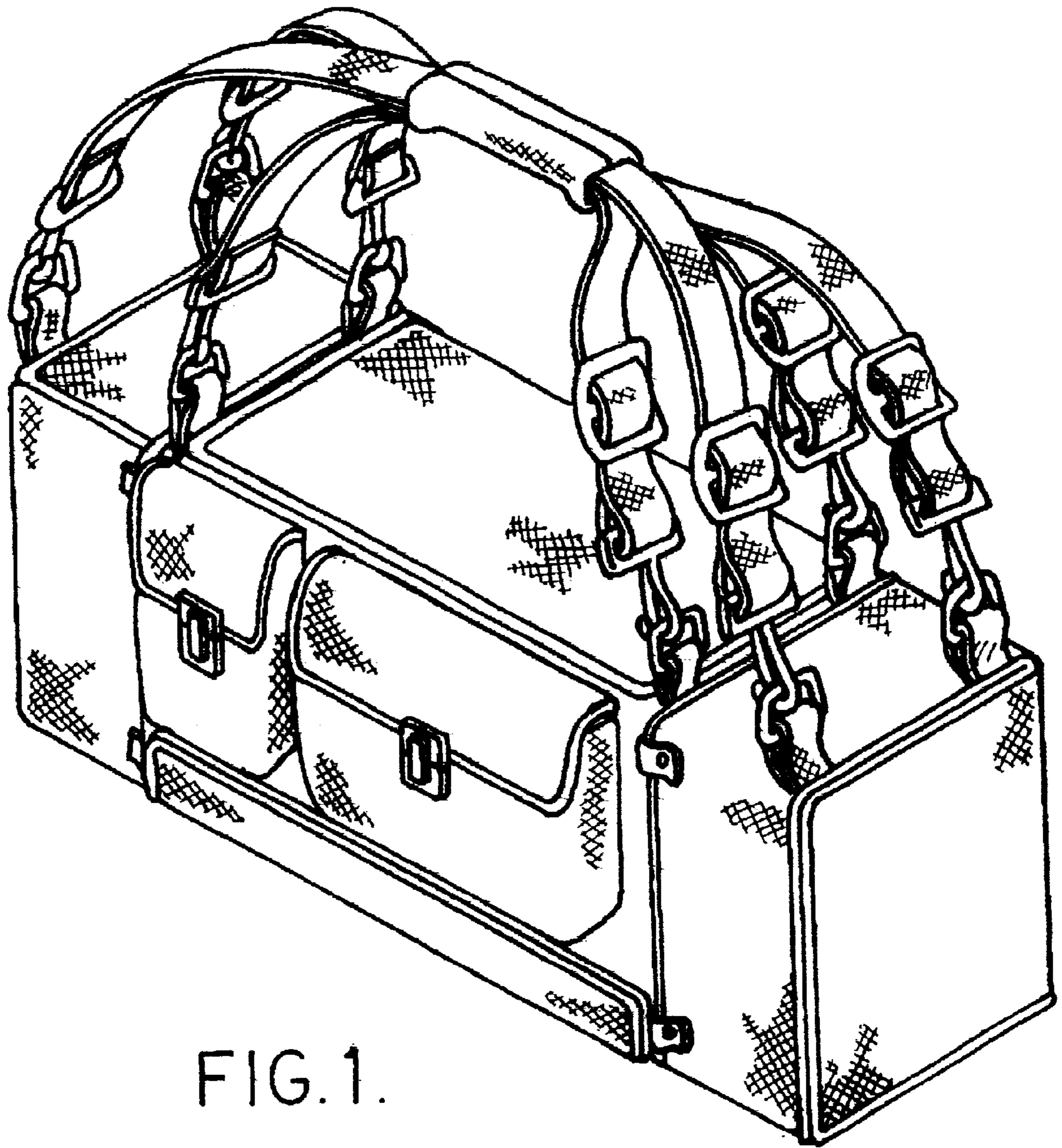


FIG. 1.

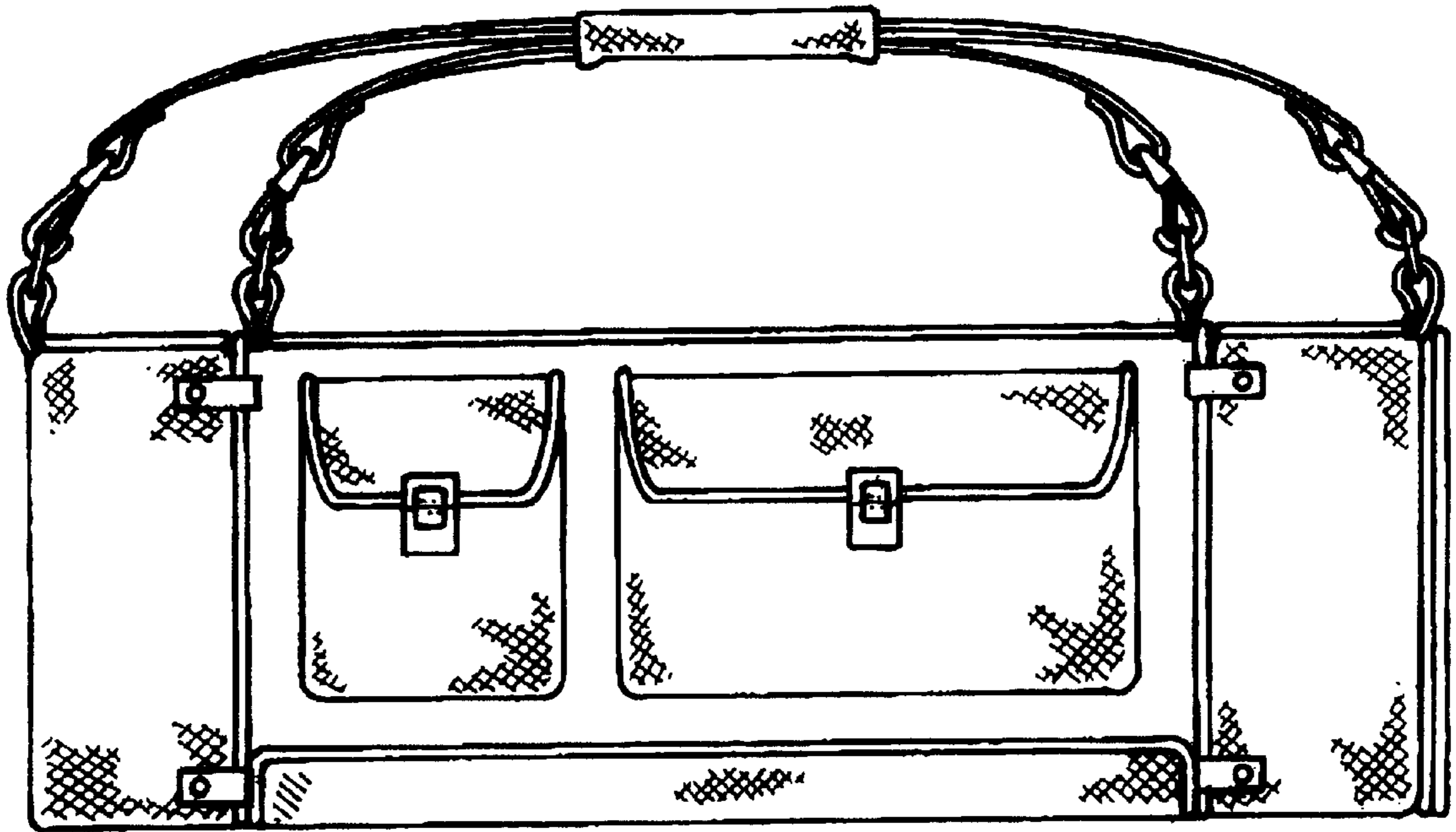


FIG. 2

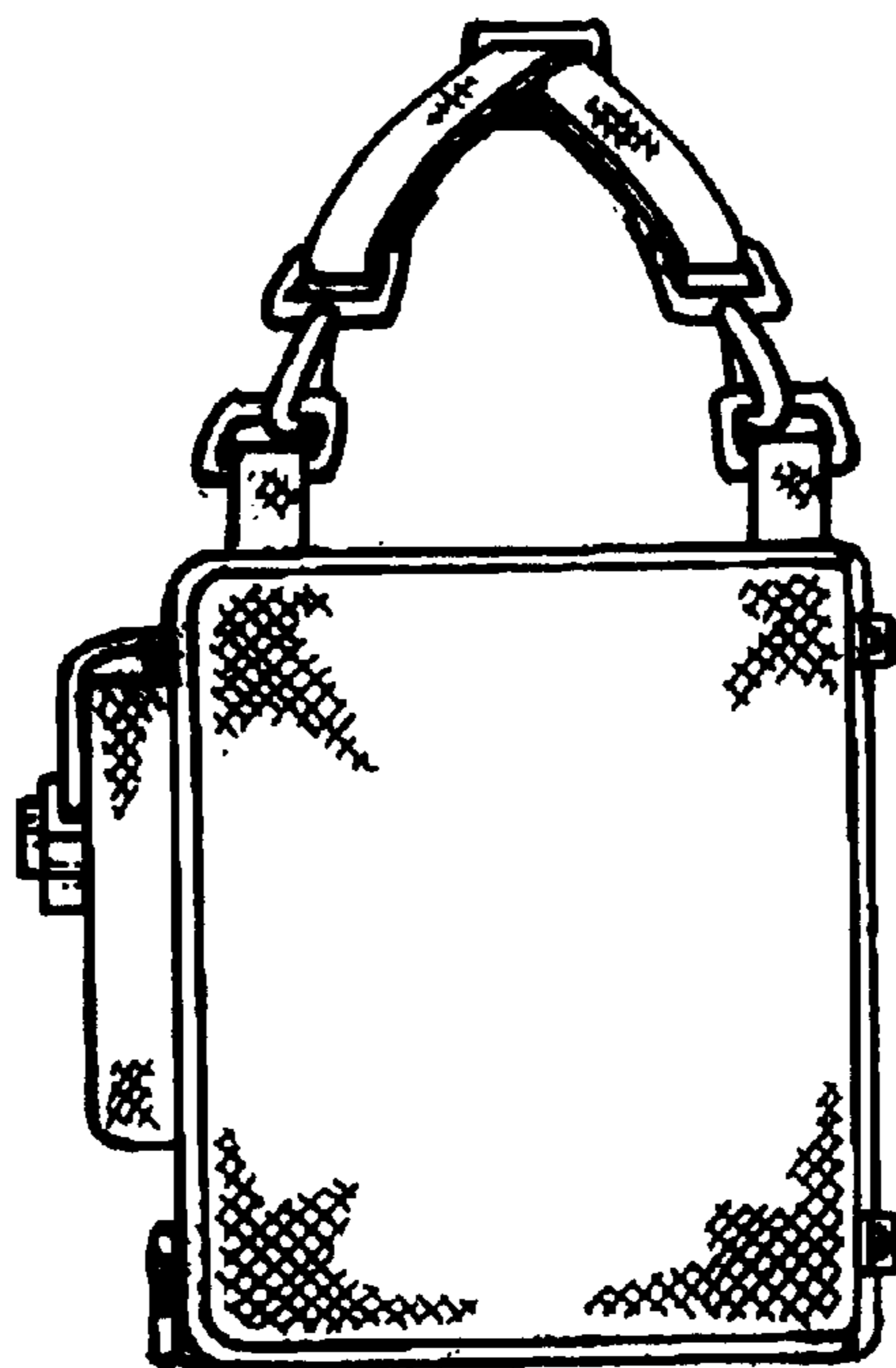


FIG. 4.

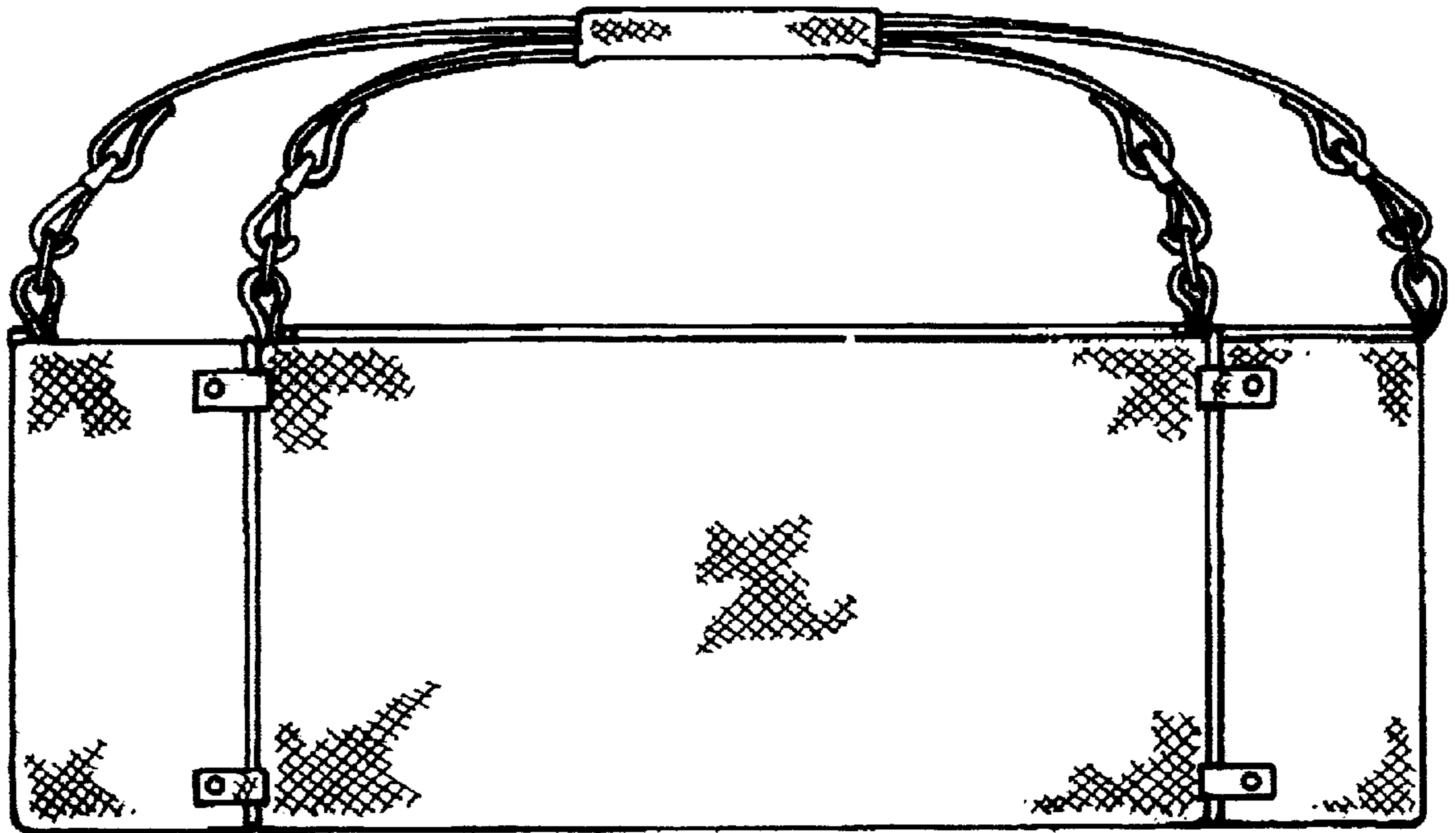


FIG. 3.

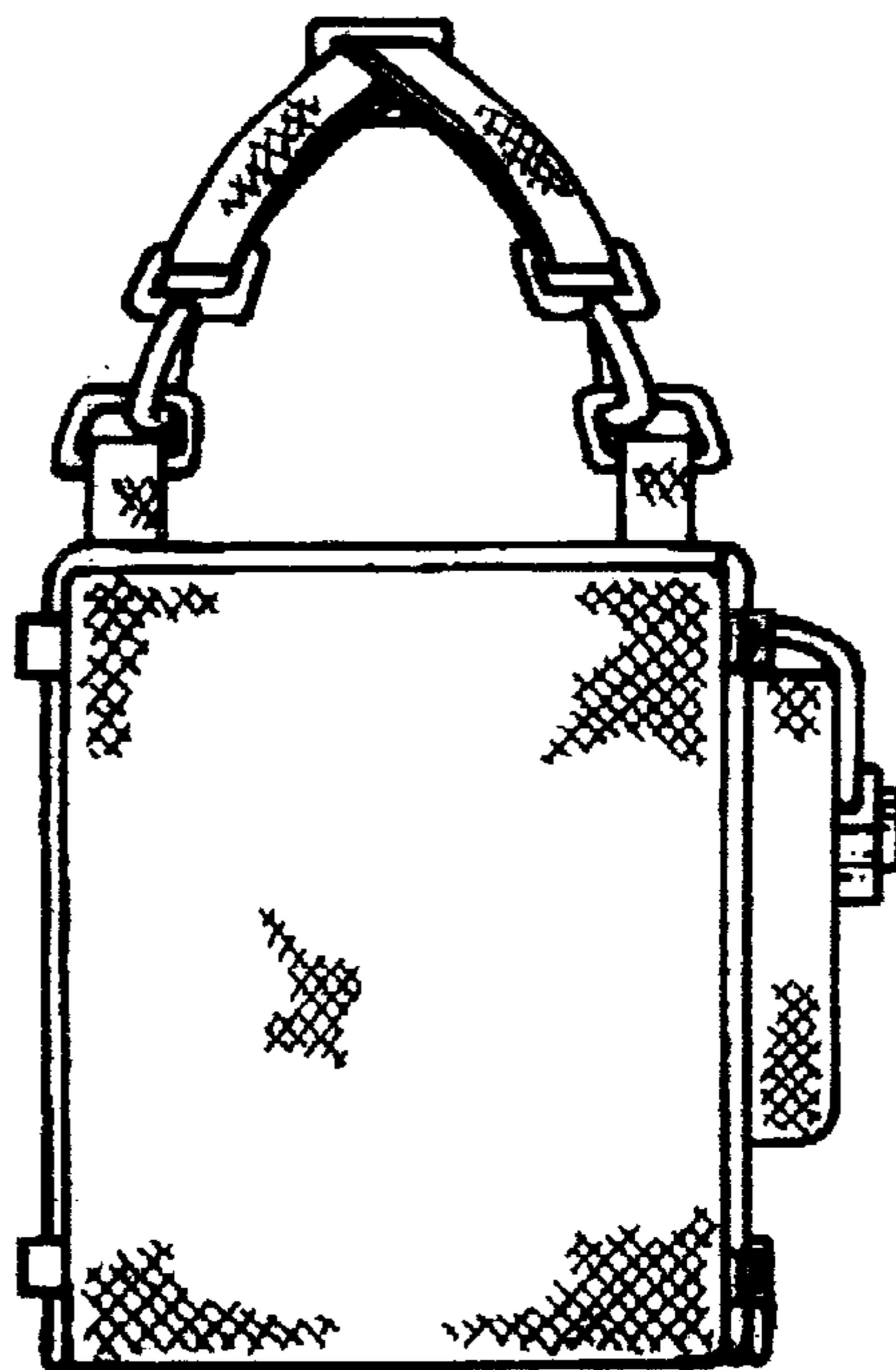


FIG. 5.

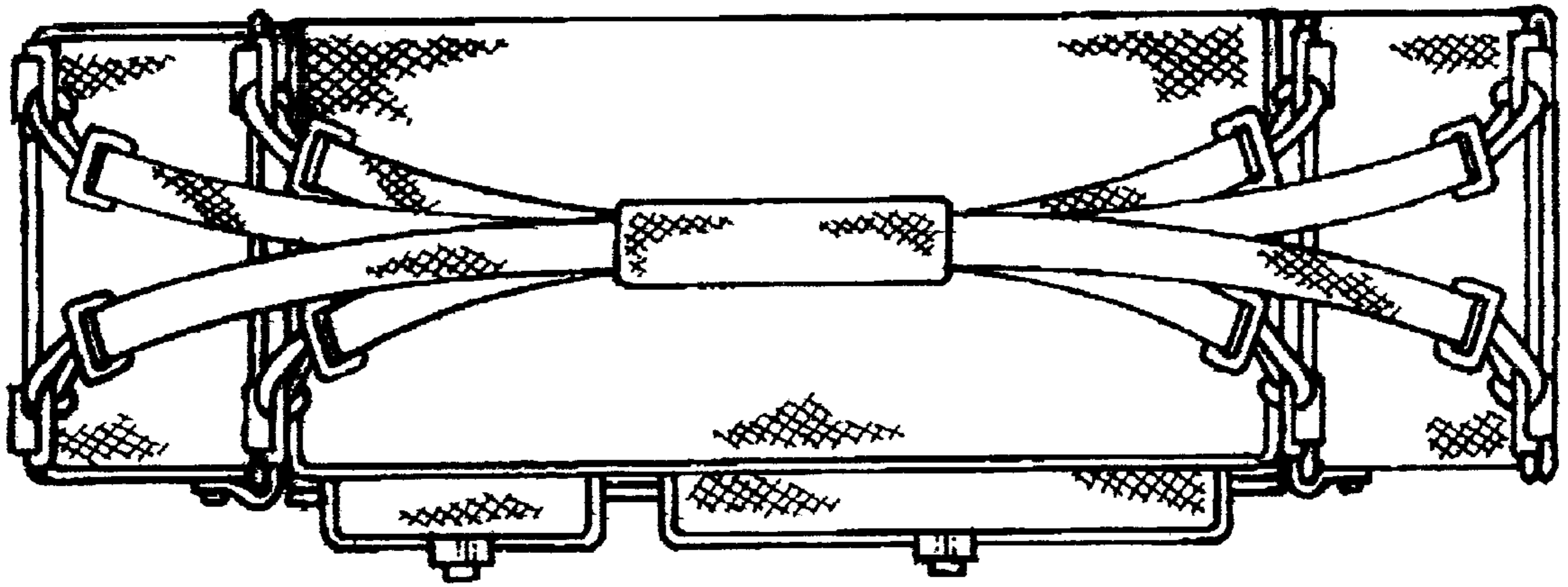


FIG. 6.

FIG. 7.

