



US00D468531S

(12) **United States Design Patent**
Hsu

(10) **Patent No.:** **US D468,531 S**

(45) **Date of Patent:** **** Jan. 14, 2003**

(54) **SCREW-DRIVER KIT**

(75) **Inventor:** **Huang Tung Hsu, Taichung Hsien (TW)**

(73) **Assignee:** **Chu Min Co., Ltd., Taichung Hsien (TW)**

(**) **Term:** **14 Years**

(21) **Appl. No.:** **29/157,335**

(22) **Filed:** **Mar. 19, 2002**

(51) **LOC (7) Cl.** **03-01**

(52) **U.S. Cl.** **D3/282; D3/294; D3/905**

(58) **Field of Search** **D3/273, 276, 281, D3/282, 292, 294, 905; D9/418; 206/349, 372, 373, 379**

(56) **References Cited**

U.S. PATENT DOCUMENTS

D255,038 S	*	5/1980	Itakura	D3/273
D294,776 S	*	3/1988	Gander et al.	D3/282
5,133,455 A	*	7/1992	Chow	206/373
5,148,914 A	*	9/1992	Budert et al.	206/379
D382,115 S	*	8/1997	Chang	D3/282

D400,709 S	*	11/1998	Chang	D3/294
6,050,409 A	*	4/2000	Delbeck et al.	206/375
6,105,767 A	*	8/2000	Vasudeva	206/349
6,283,291 B1	*	9/2001	Vasudeva et al.	206/373

* cited by examiner

Primary Examiner—Philip S. Hyder

(74) *Attorney, Agent, or Firm*—Rosenberg, Klein & Lee

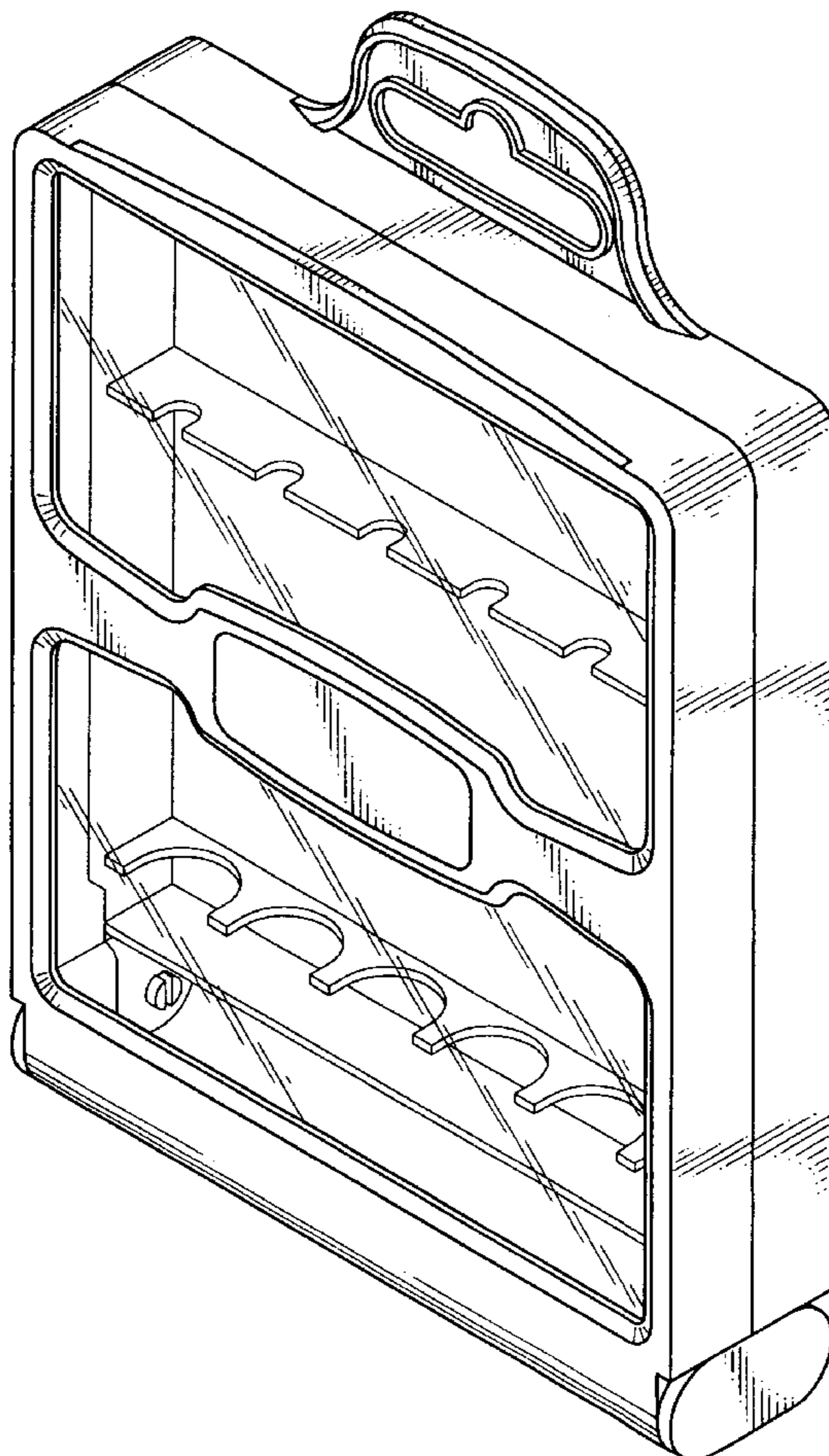
(57) **CLAIM**

The ornamental design for a screw-driver kit, as shown and described.

DESCRIPTION

FIG. 1 is a perspective view of screw-driver kit showing my new design;
 FIG. 2 is a front elevation view thereof;
 FIG. 3 is a rear elevation view thereof;
 FIG. 4 is a left side elevation view thereof;
 FIG. 5 is a right side elevation view thereof;
 FIG. 6 is a top plan view thereof; and
 FIG. 7 is a bottom plan view thereof; and
 FIG. 8 is a perspective view thereof, with the cover in an alternate position.

1 Claim, 5 Drawing Sheets



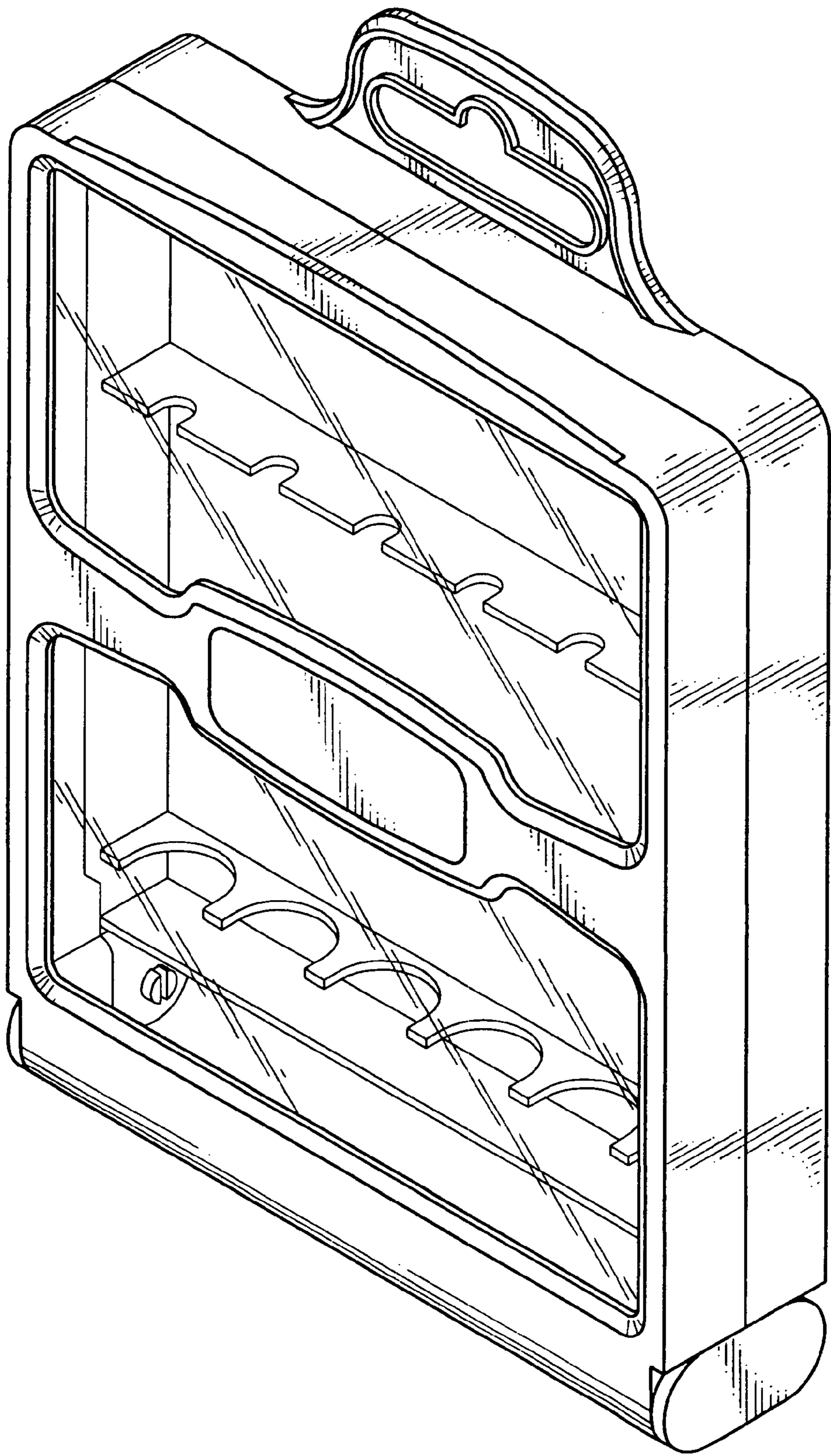


FIG. 1

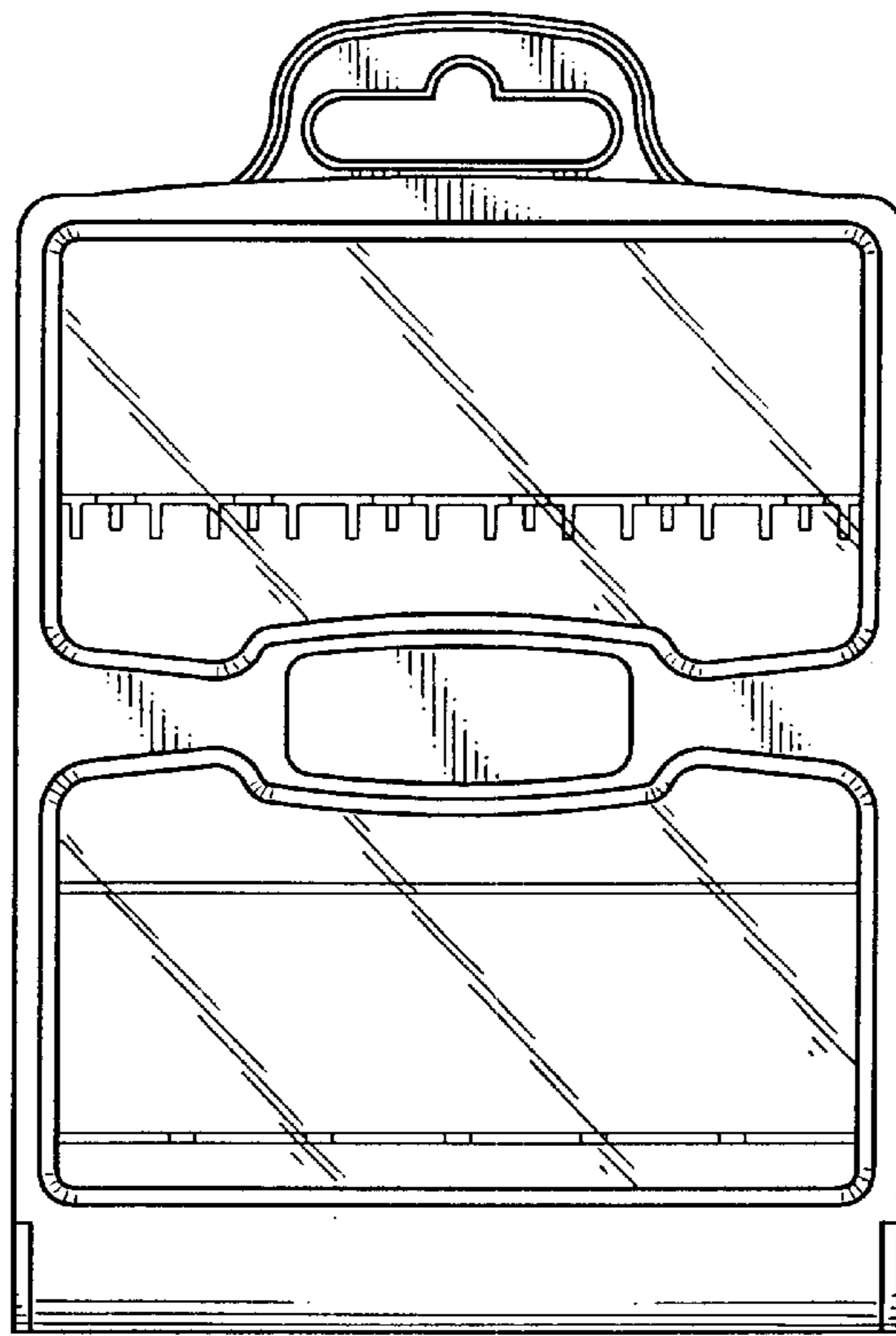


FIG. 2

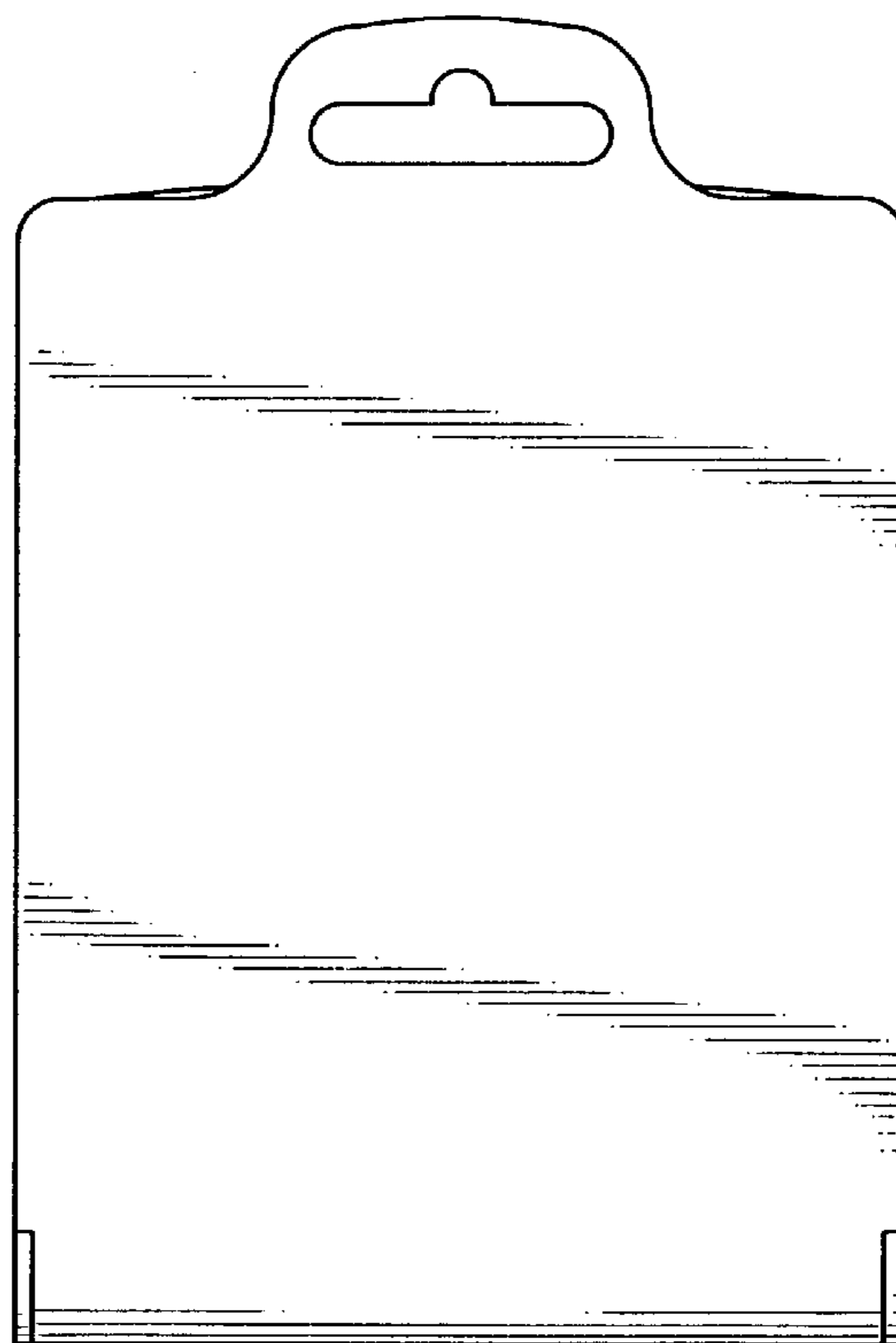


FIG. 3

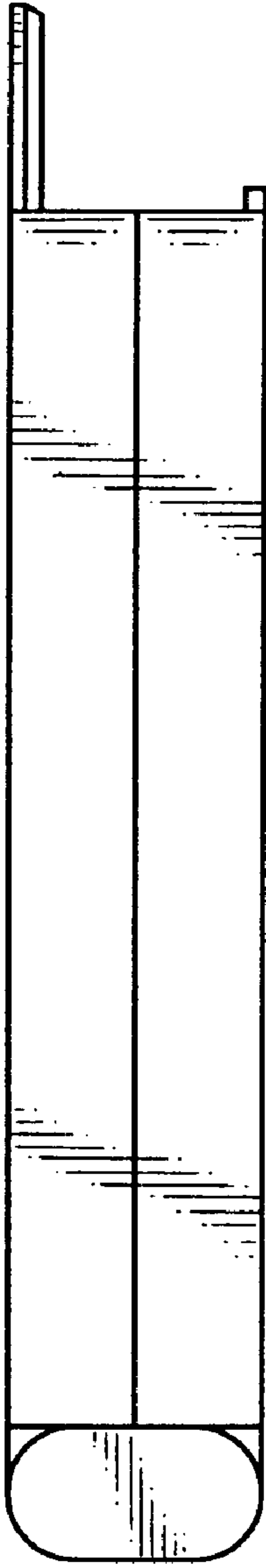


FIG. 4

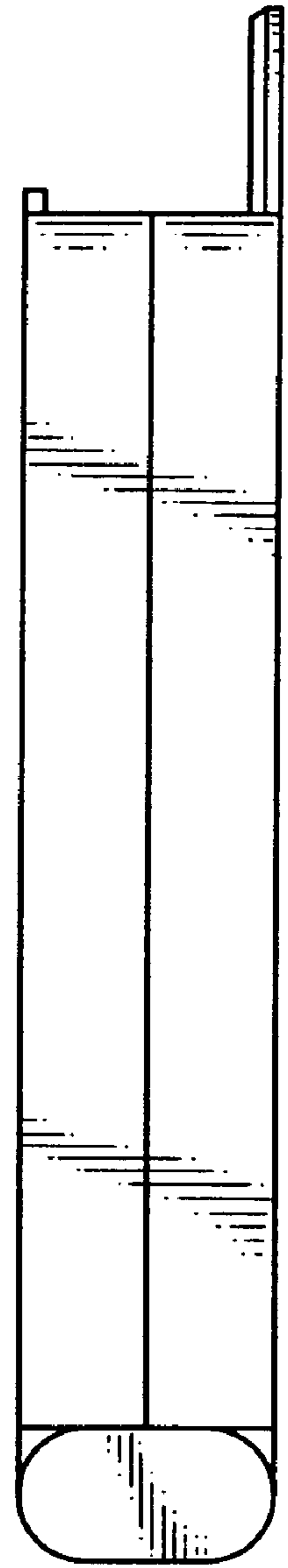


FIG. 5

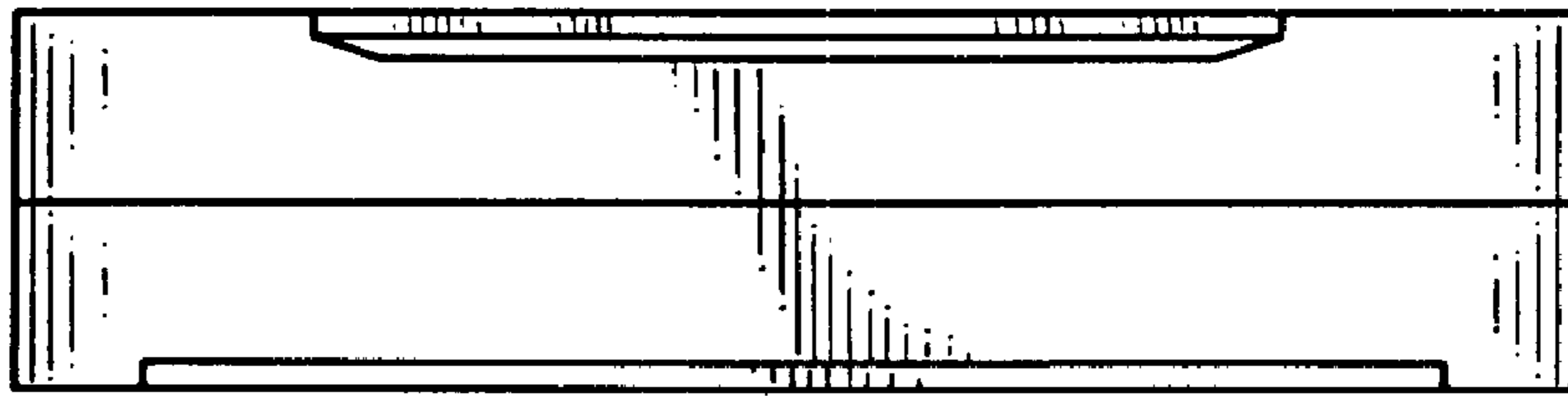


FIG. 6

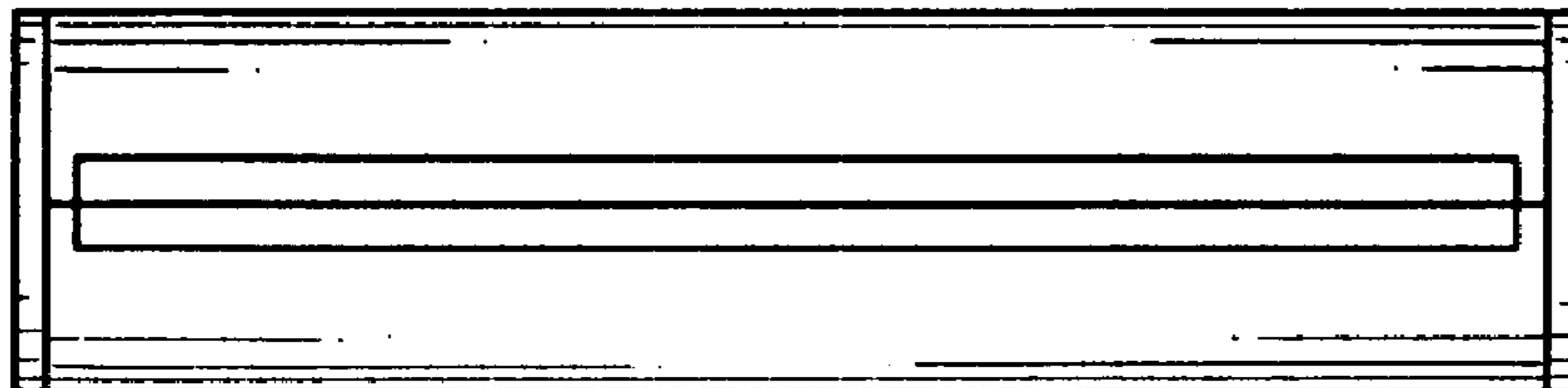


FIG. 7

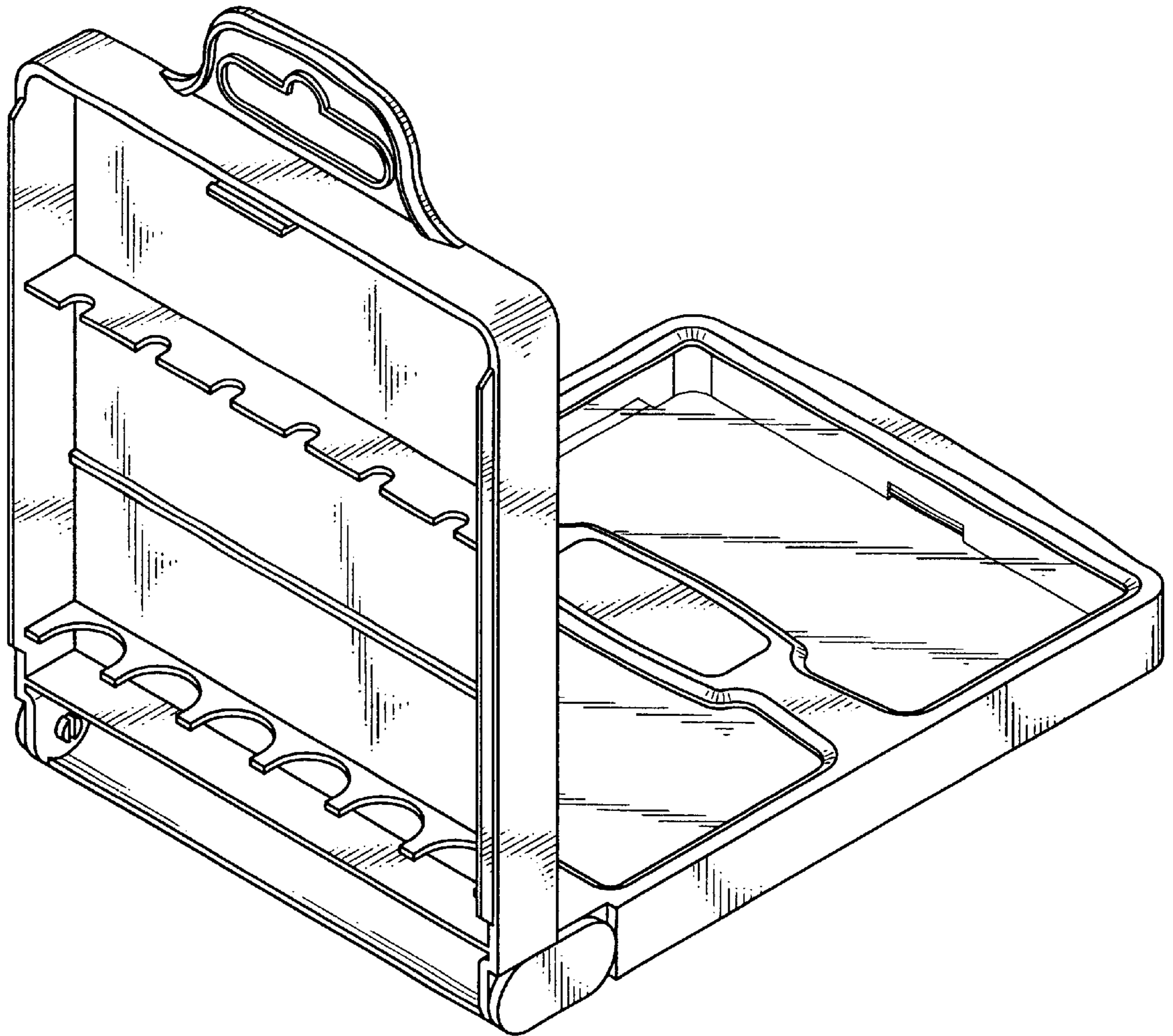


FIG. 8