



US00D468529S

(12) **United States Design Patent**  
**Sabounjian**

(10) **Patent No.:** **US D468,529 S**  
(45) **Date of Patent:** **\*\* Jan. 14, 2003**

(54) **STANDING JEWELRY BOX WITH SHAPED WINDOWS**

(76) Inventor: **Rafi G. Sabounjian**, 497 Morningside Ave., Fairview, NJ (US) 07022

(\*\*) Term: **14 Years**

(21) Appl. No.: **29/152,734**

(22) Filed: **Dec. 20, 2001**

(51) **LOC (7) Cl.** ..... **03-01**

(52) **U.S. Cl.** ..... **D3/273; D3/903; D9/418**

(58) **Field of Search** ..... **D3/273, 294, 302; D9/423, 432, 418, 414, 415; 206/6.1, 457, 301; 229/116.1, 182.1**

(56) **References Cited**

**U.S. PATENT DOCUMENTS**

2,194,669 A \* 3/1940 Mumford ..... 206/454

(List continued on next page.)

*Primary Examiner*—Philip S. Hyder

(74) *Attorney, Agent, or Firm*—Elliott N. Kramsky

(57) **CLAIM**

The ornamental design for a standing jewelry box with shaped windows, as shown.

**DESCRIPTION**

FIG. 1 is a perspective view of the invention;

FIG. 2 is a front elevation view of the invention with the rear being a mirror image thereof;

FIG. 3 is a top plan view of the invention with the bottom being a mirror image thereof;

FIG. 4 is a left side elevation view of the invention;

FIG. 5 is a right side elevation view of the invention;

FIG. 6 is a perspective view in accordance with an alternative embodiment of the invention;

FIG. 7 is a front elevation view of the alternative embodiment of the invention with the rear being a mirror image thereof;

FIG. 8 is a top plan view of the alternative embodiment of the invention with the bottom being a mirror image thereof;

FIG. 9 is a left side elevation view of the alternative embodiment of the invention;

FIG. 10 is a right side elevation view of the alternative embodiment of the invention;

FIG. 11 is a perspective view of a second alternative embodiment of the invention;

FIG. 12 is a front elevation view of the second alternative embodiment of the invention with the rear being a mirror image thereof;

FIG. 13 is a top plan view of the second alternative embodiment of the invention with the bottom being a mirror image thereof;

FIG. 14 is a left side elevation view of the second alternative embodiment of the invention;

FIG. 15 is a right side elevation view of the second alternative embodiment of the invention;

FIG. 16 is a perspective view of a third alternative embodiment of the invention;

FIG. 17 is a front elevation view of the third alternative embodiment of the invention with the rear being a mirror image thereof;

FIG. 18 is a top plan view of the third alternative embodiment of the invention with the bottom being a mirror image thereof;

FIG. 19 is a left side elevation view of the third alternative embodiment of the invention;

FIG. 20 is a right side elevation view of the third alternative embodiment of the invention;

FIG. 21 is a perspective view of a fourth alternative embodiment of the invention;

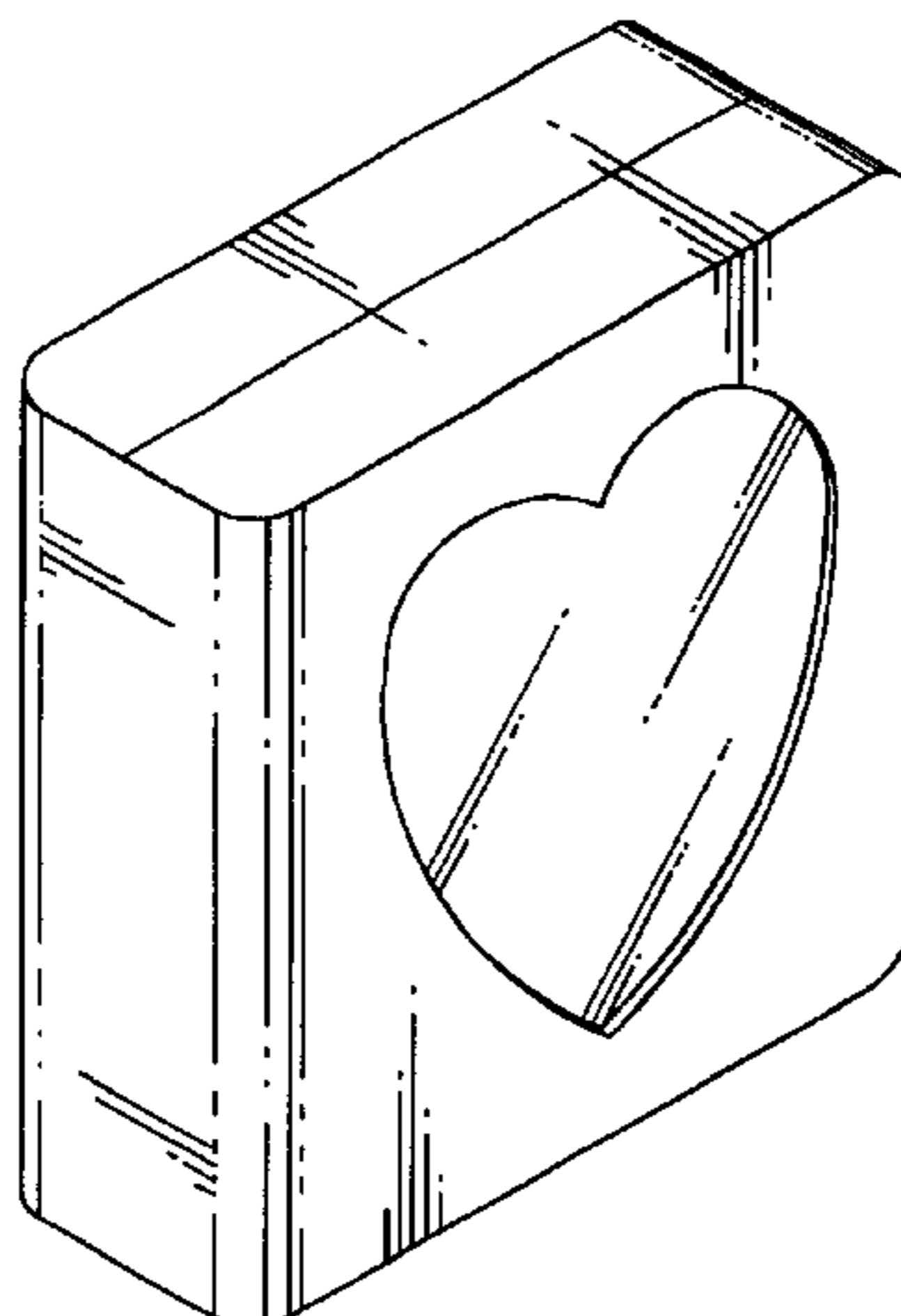
FIG. 22 is a front elevation view of the fourth alternative embodiment of the invention with the rear being a mirror image thereof;

FIG. 23 is a top plan view of the fourth alternative embodiment of the invention with the bottom being a mirror image thereof;

FIG. 24 is a left side elevation view of the fourth alternative embodiment of the invention; and,

FIG. 25 is a right side elevation view of the fourth alternative embodiment of the invention.

**1 Claim, 5 Drawing Sheets**



# US D468,529 S

Page 2

---

## U.S. PATENT DOCUMENTS

3,062,367 A	*	11/1962	Holy	.....	206/775	5,713,462 A	*	2/1998	Hansen	.....	206/308.1
3,322,263 A	*	5/1967	Gulliver	.....	206/497	D422,497 S	*	4/2000	Huntley	.....	D9/418
5,248,037 A	*	9/1993	Kornberg et al.	.....	206/457	6,182,823 B1	*	2/2001	Rinde	.....	206/232
5,611,426 A	*	3/1997	Warfield	.....	206/308.1	D444,704 S	*	7/2001	Smouha	.....	D9/423
D387,982 S	*	12/1997	Kaplan	.....	D9/418	D446,717 S	*	8/2001	Lancaster et al.	.....	D9/418
D388,522 S	*	12/1997	Pietrantoni	.....	D26/9						

\* cited by examiner

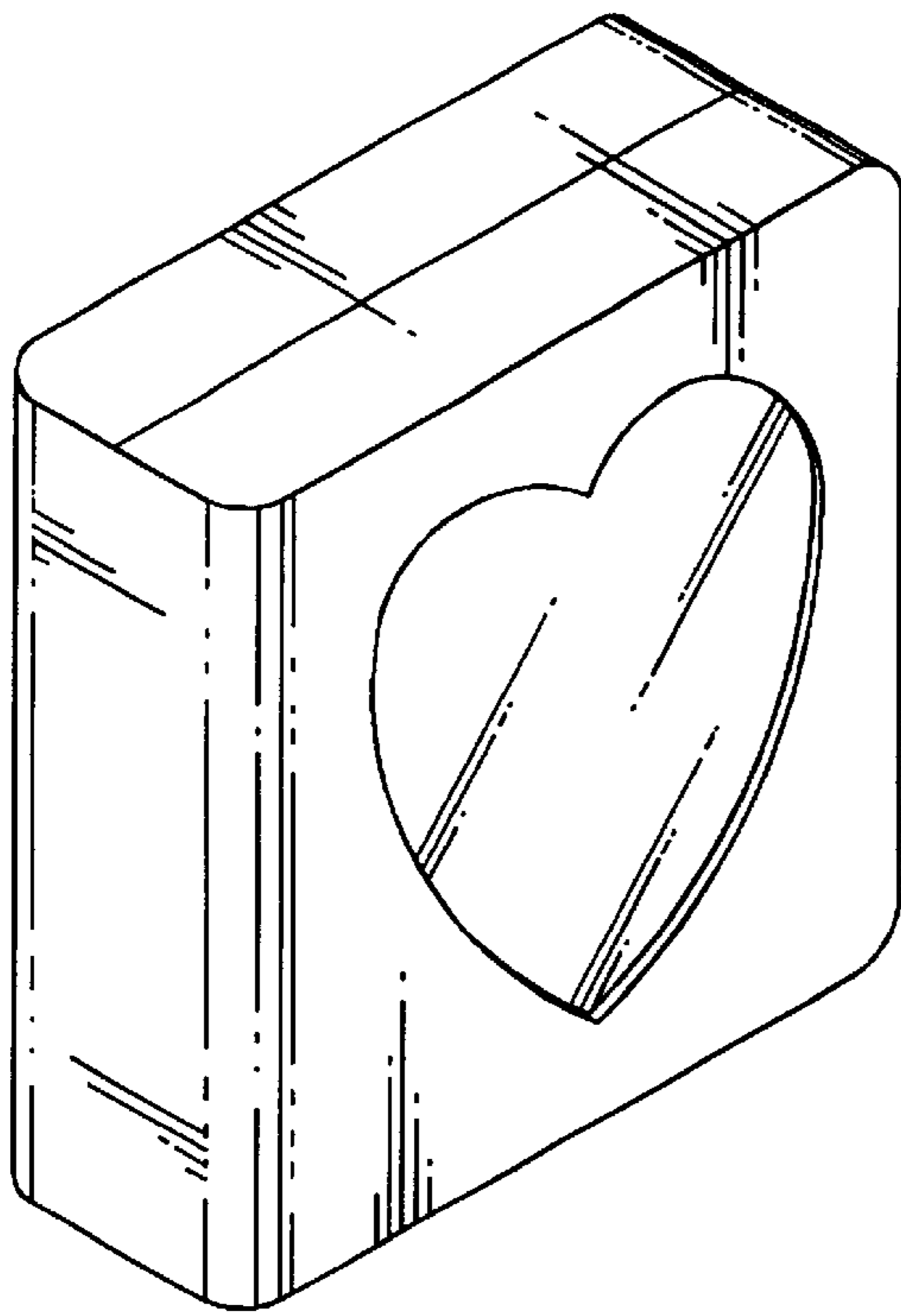


FIG. 1

FIG. 2

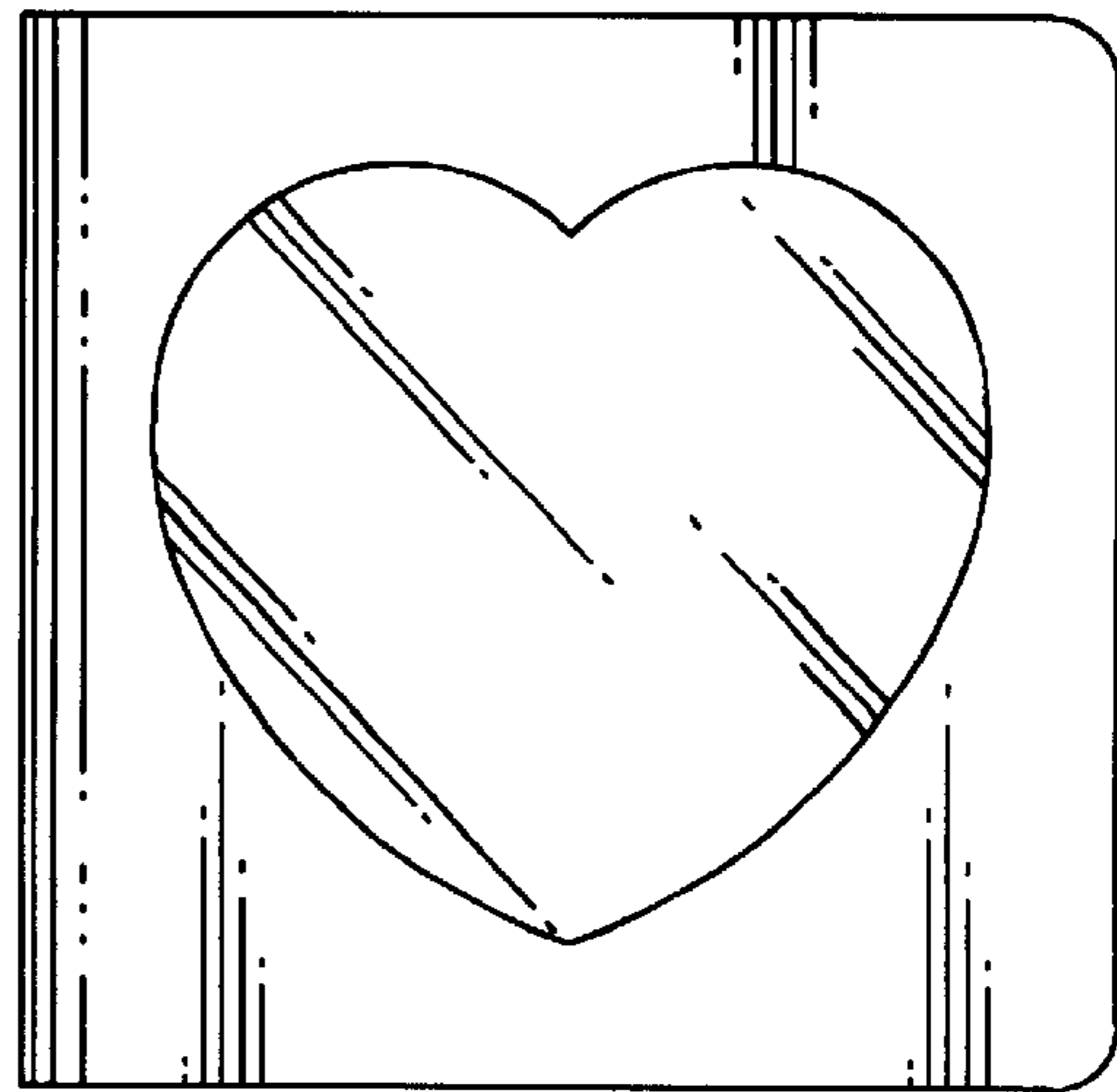


FIG. 3

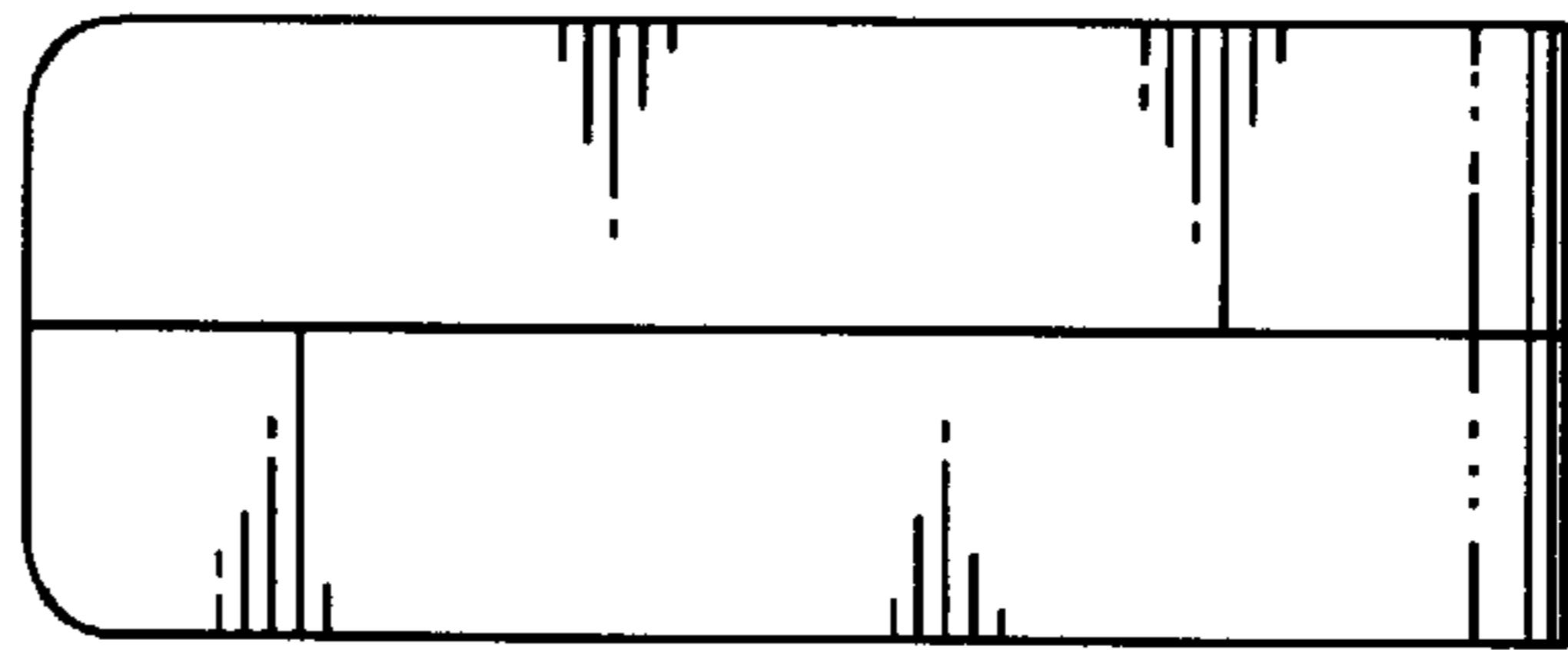


FIG. 4

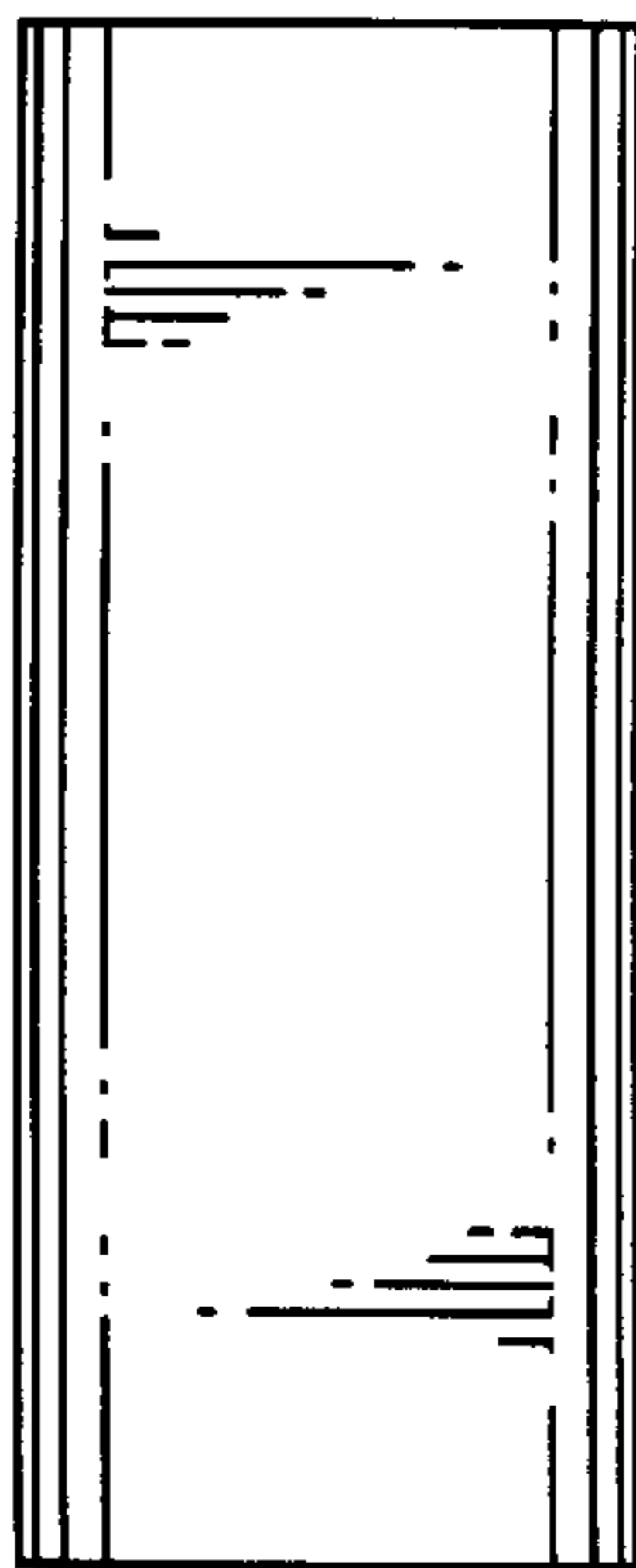
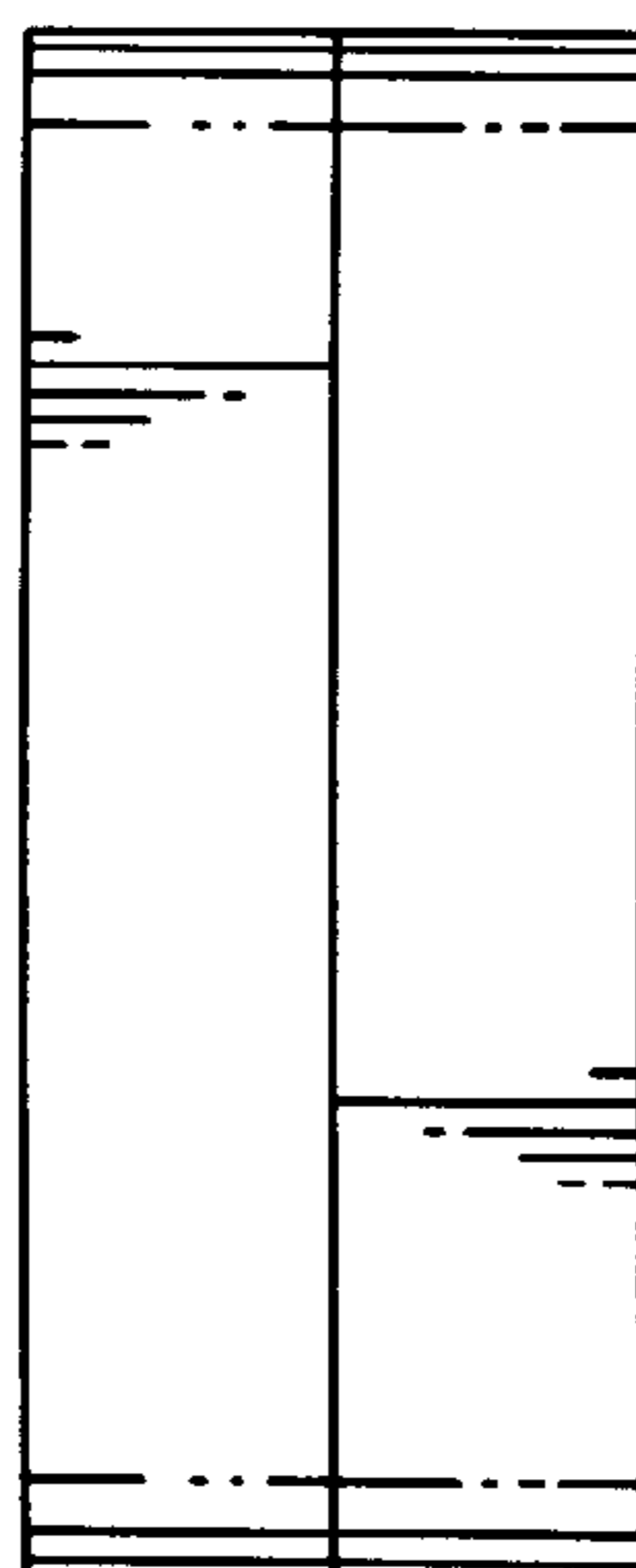


FIG. 5



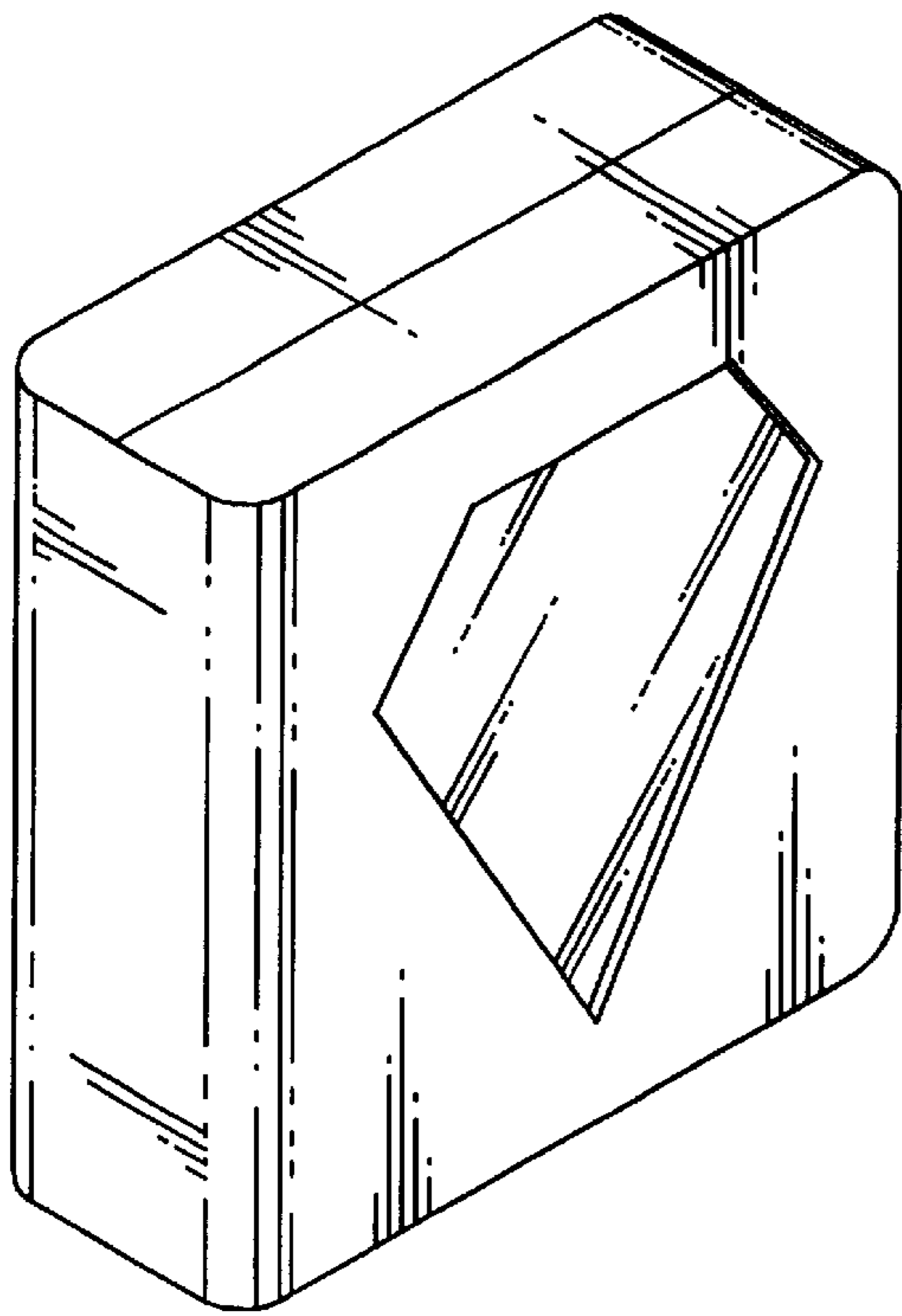


FIG. 6

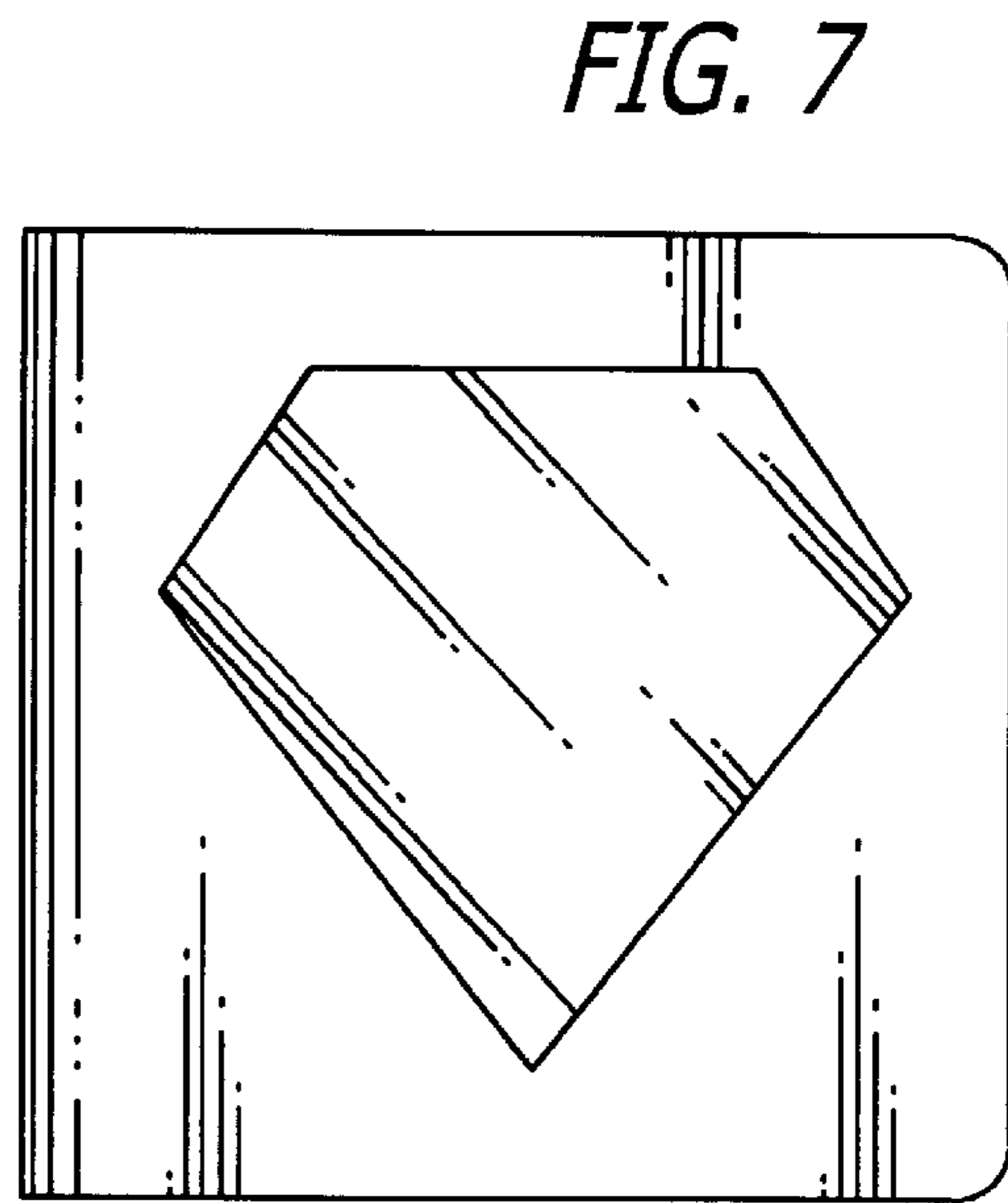


FIG. 7

FIG. 8

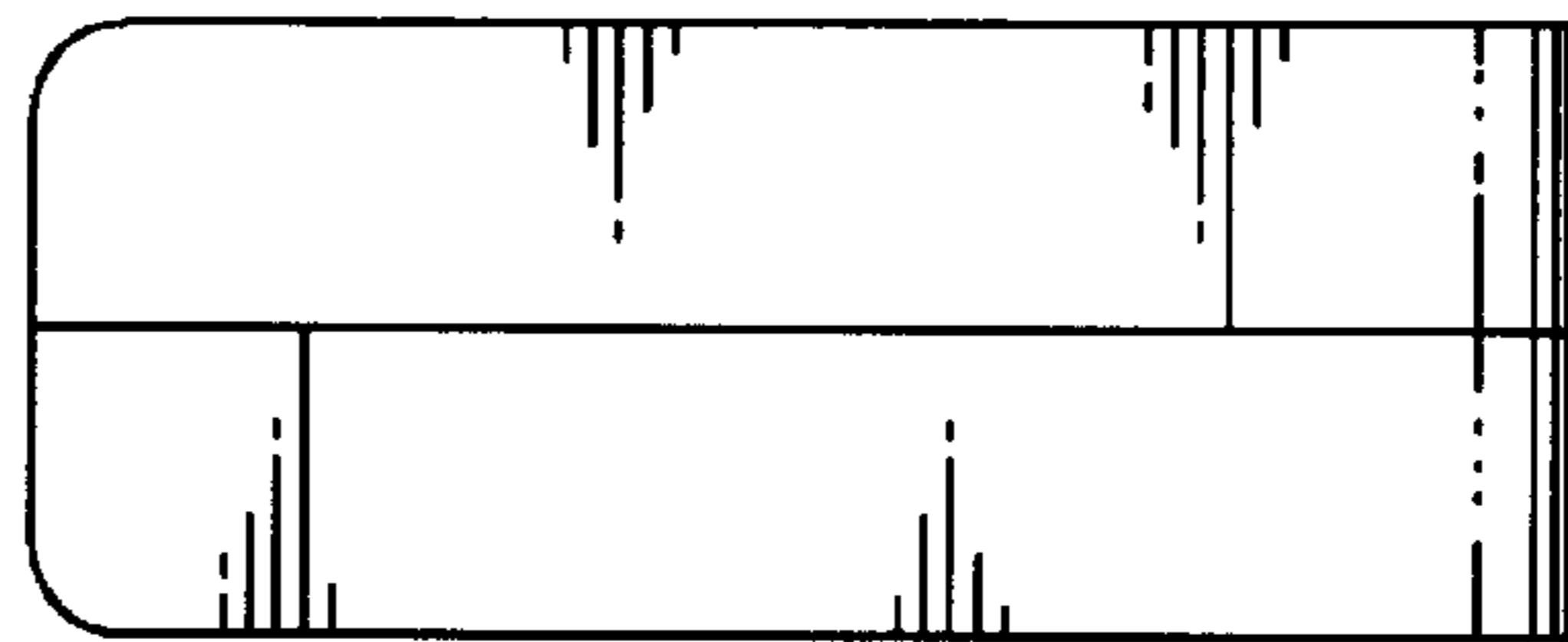


FIG. 9

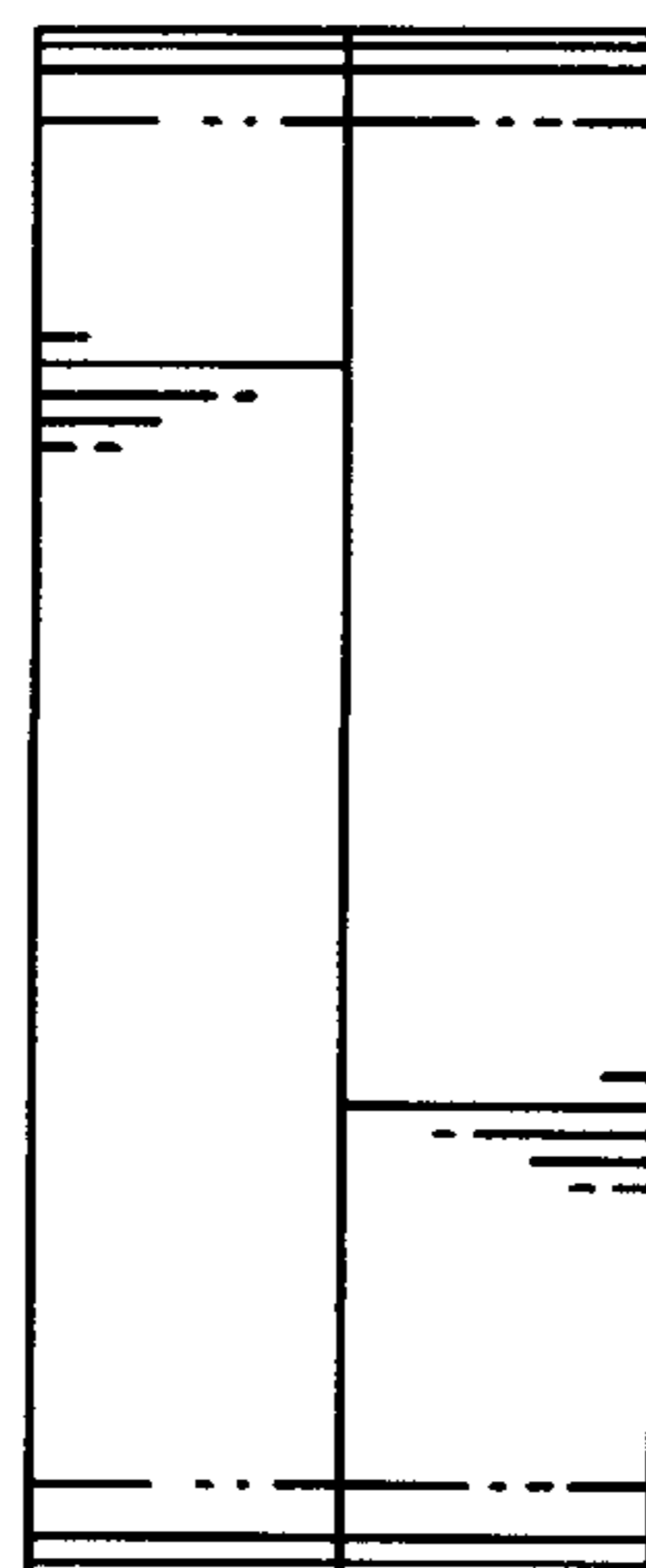
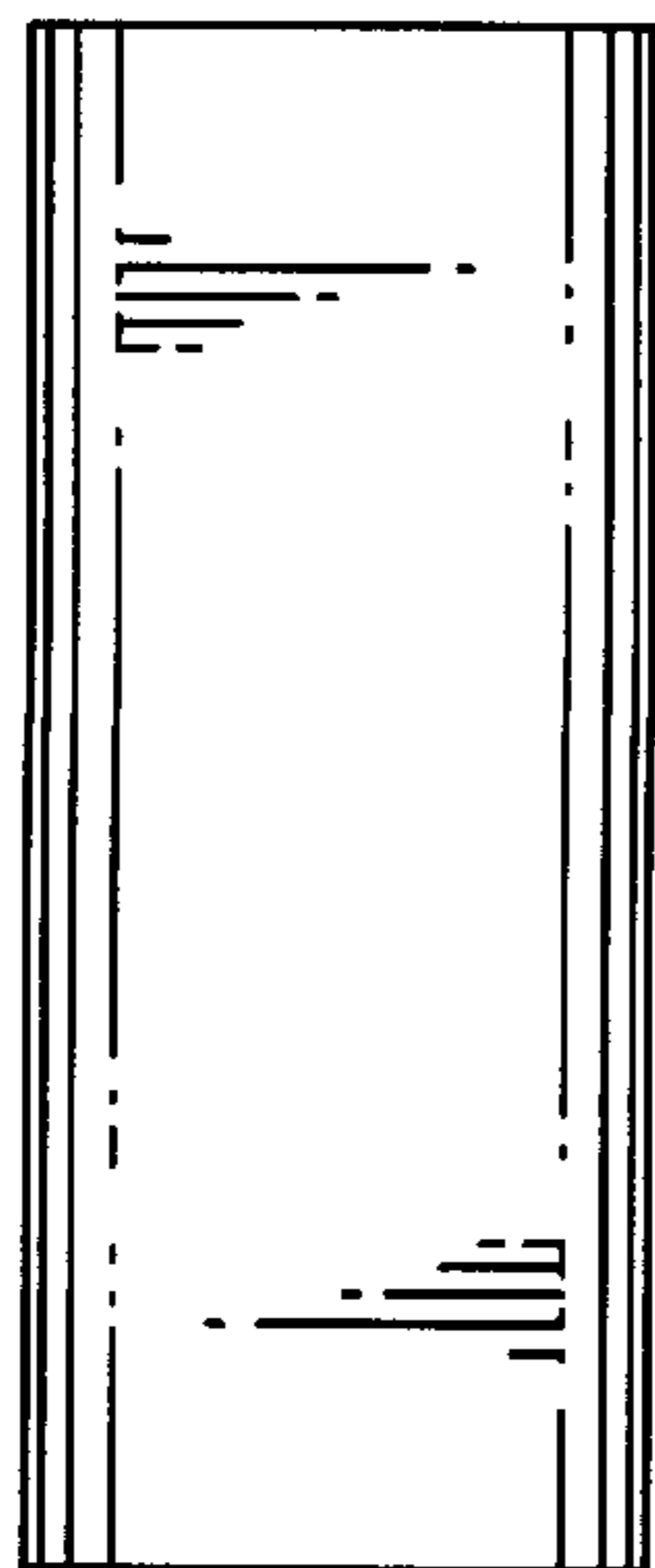


FIG. 10

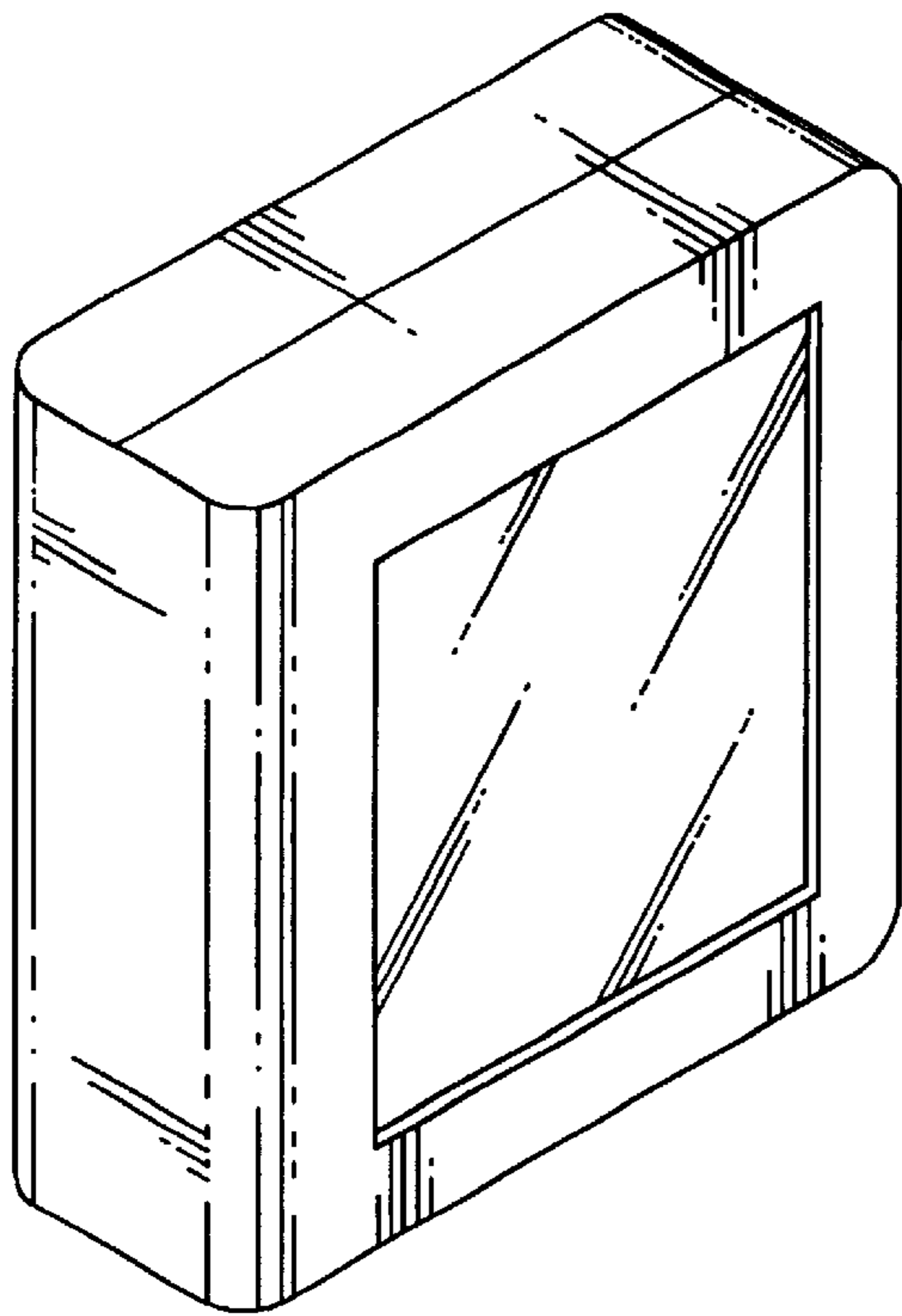


FIG. 11

FIG. 12

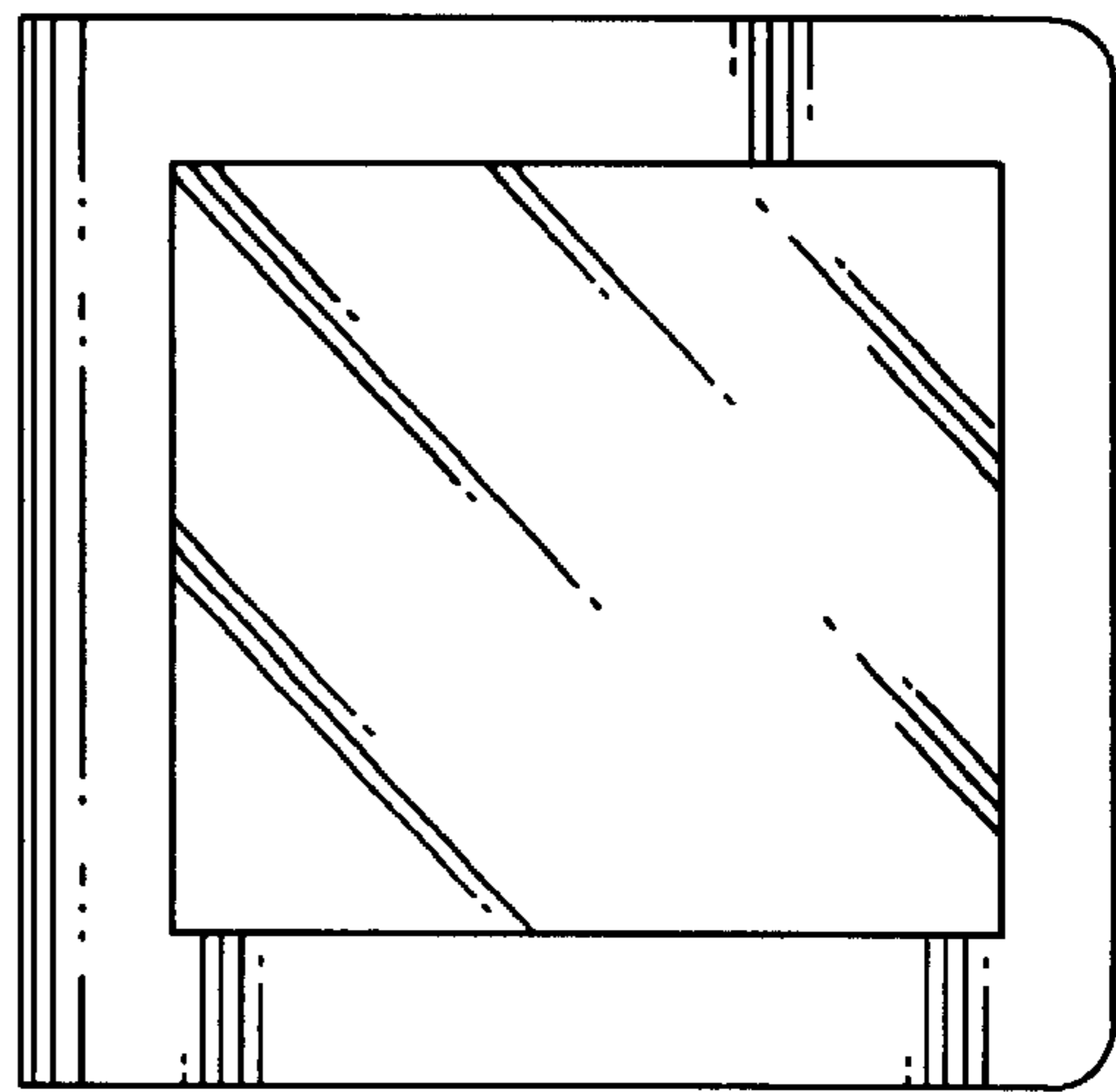


FIG. 13

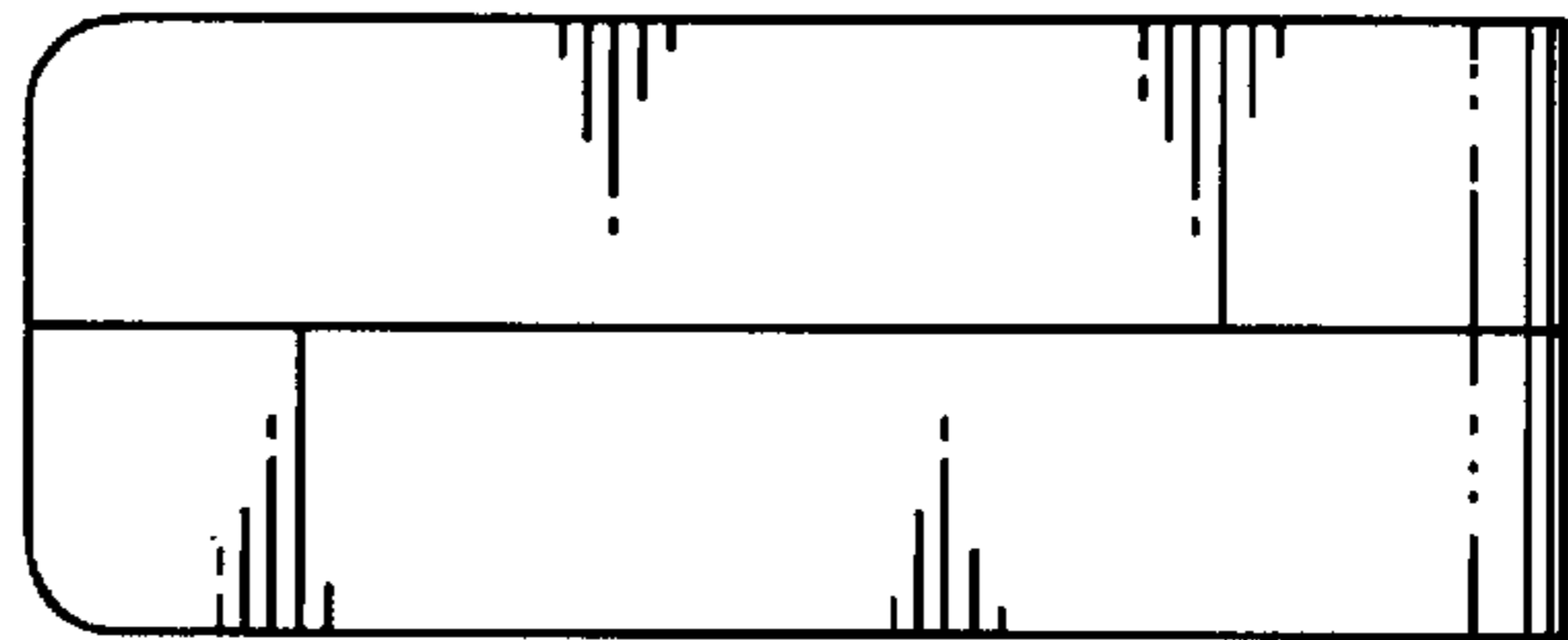


FIG. 14

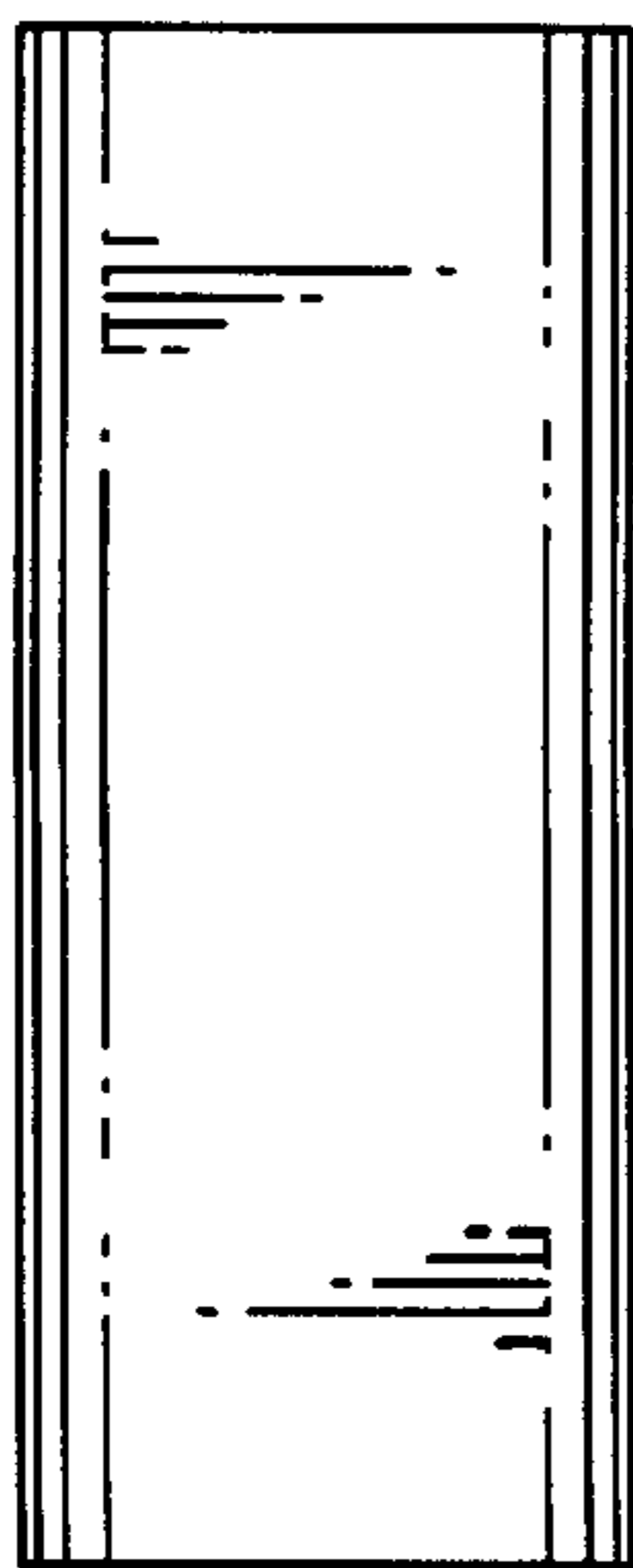
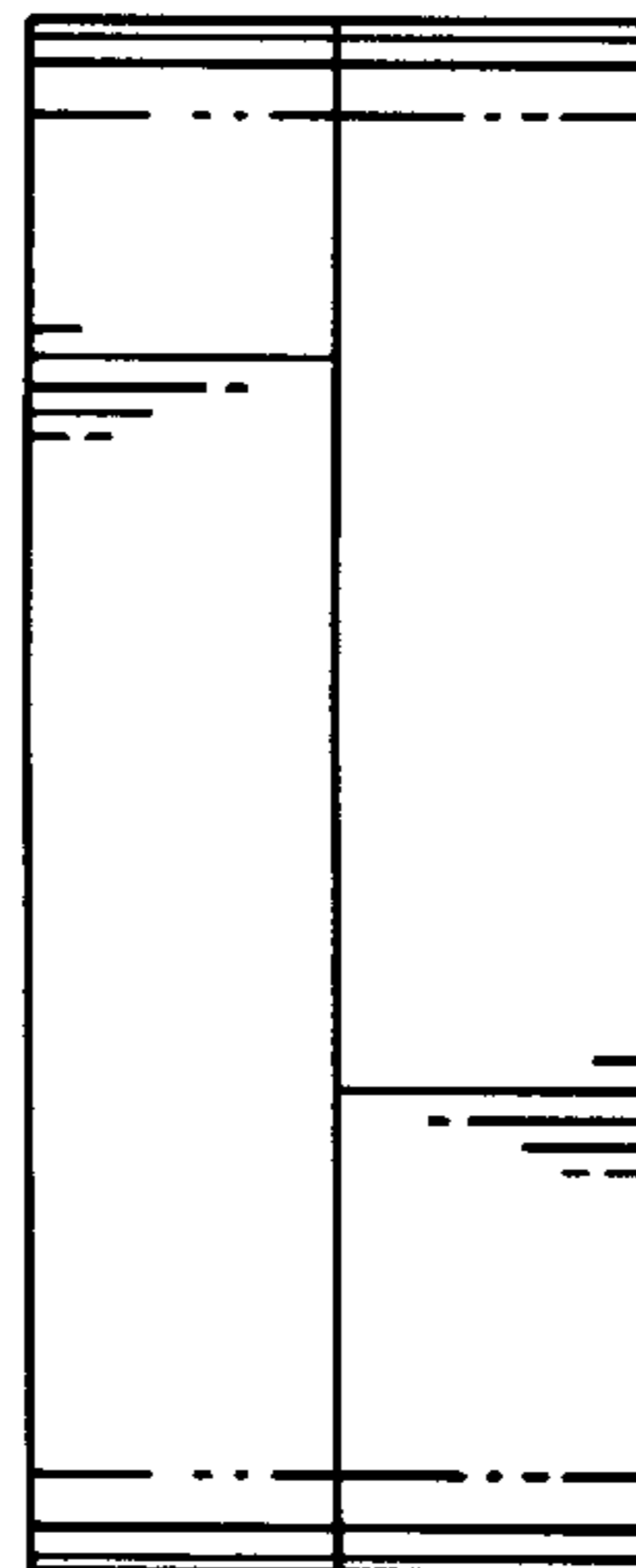


FIG. 15



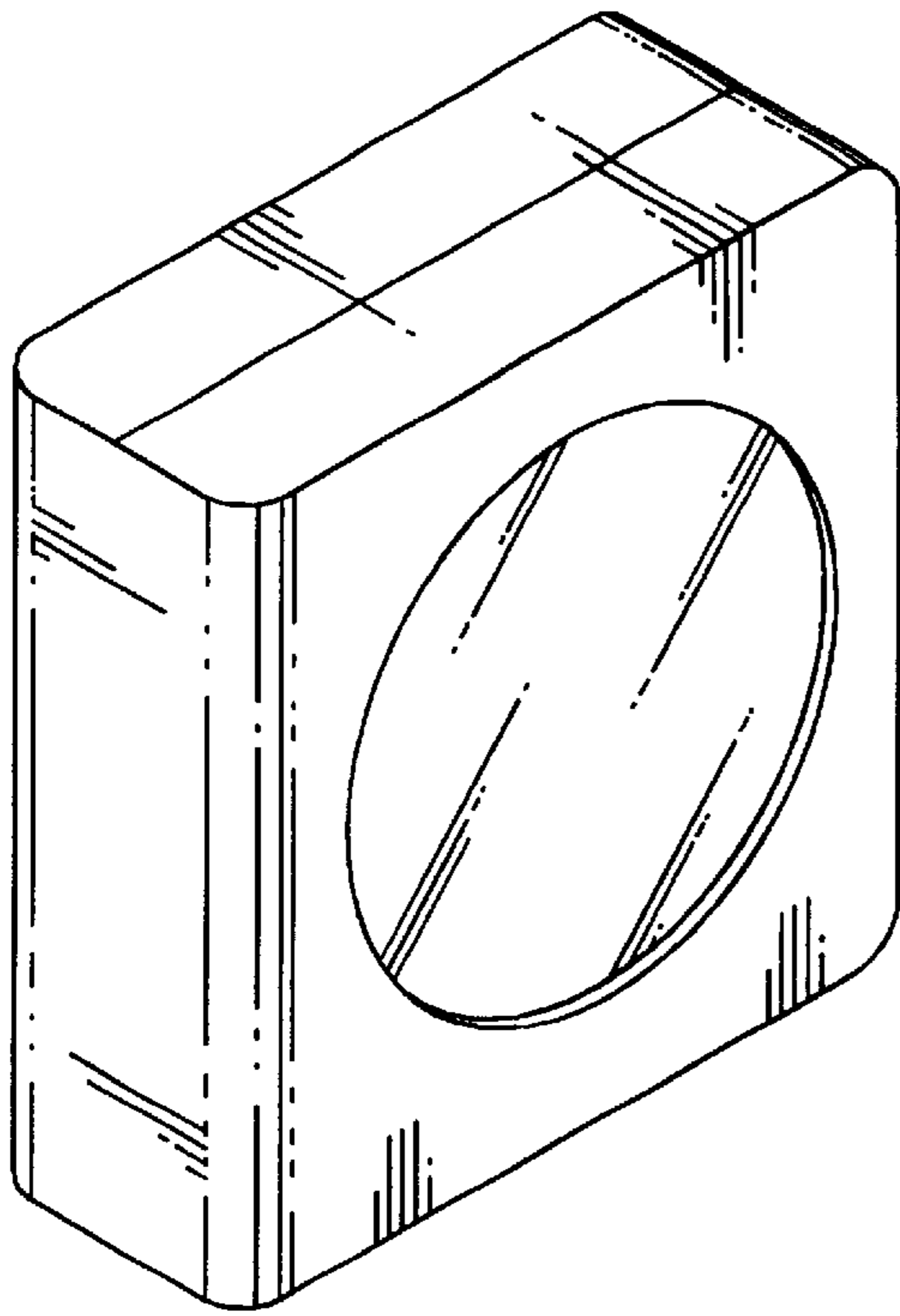


FIG. 16

FIG. 17

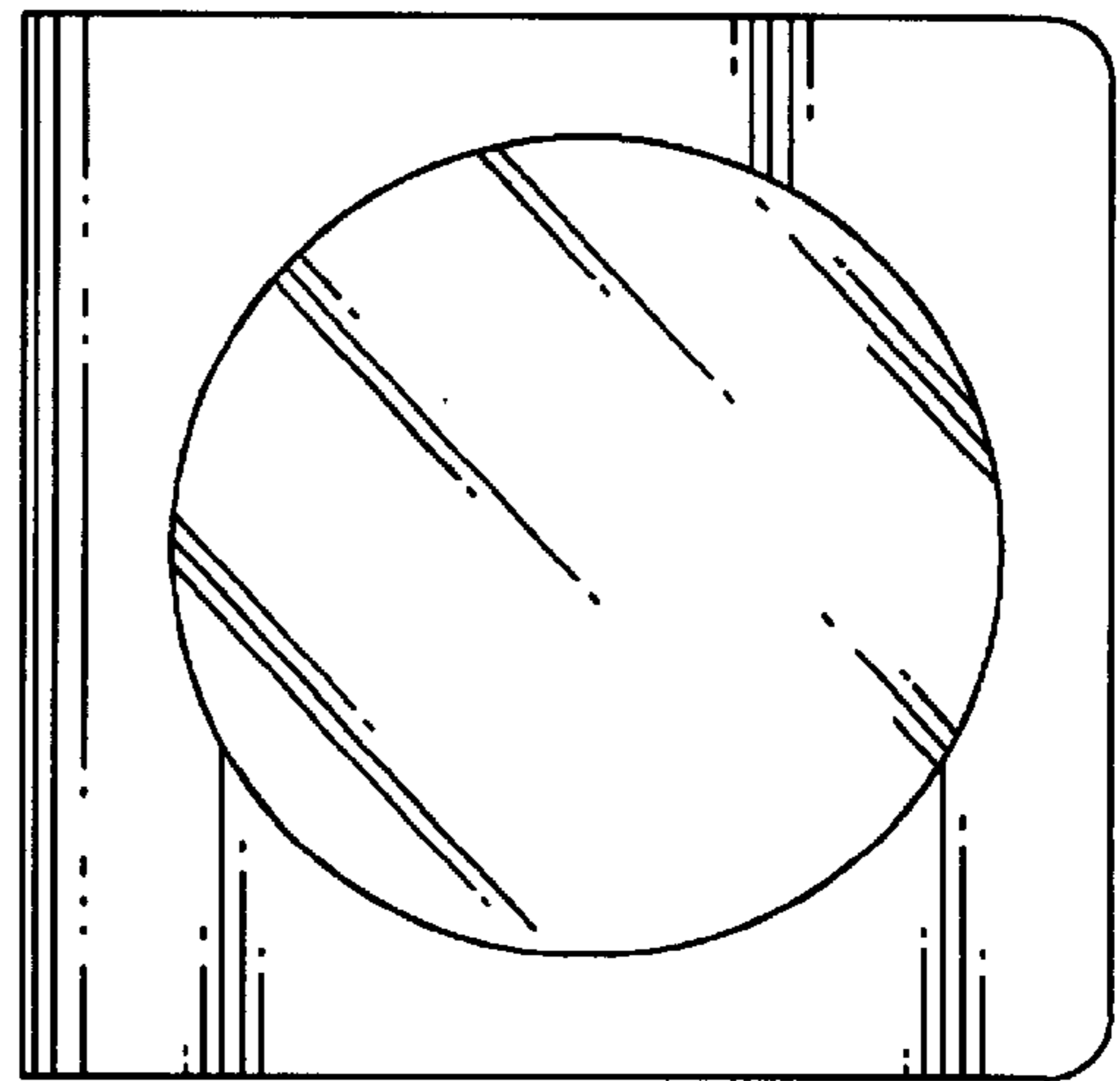


FIG. 18

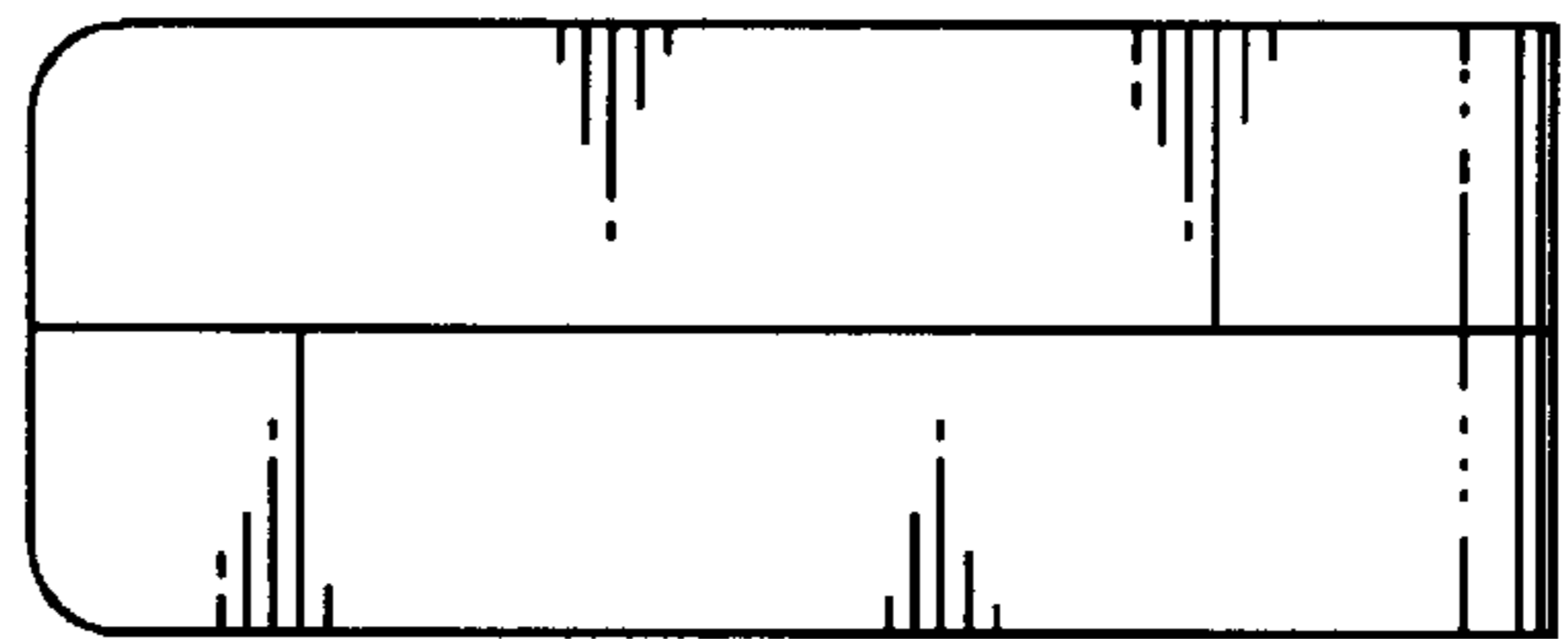


FIG. 19

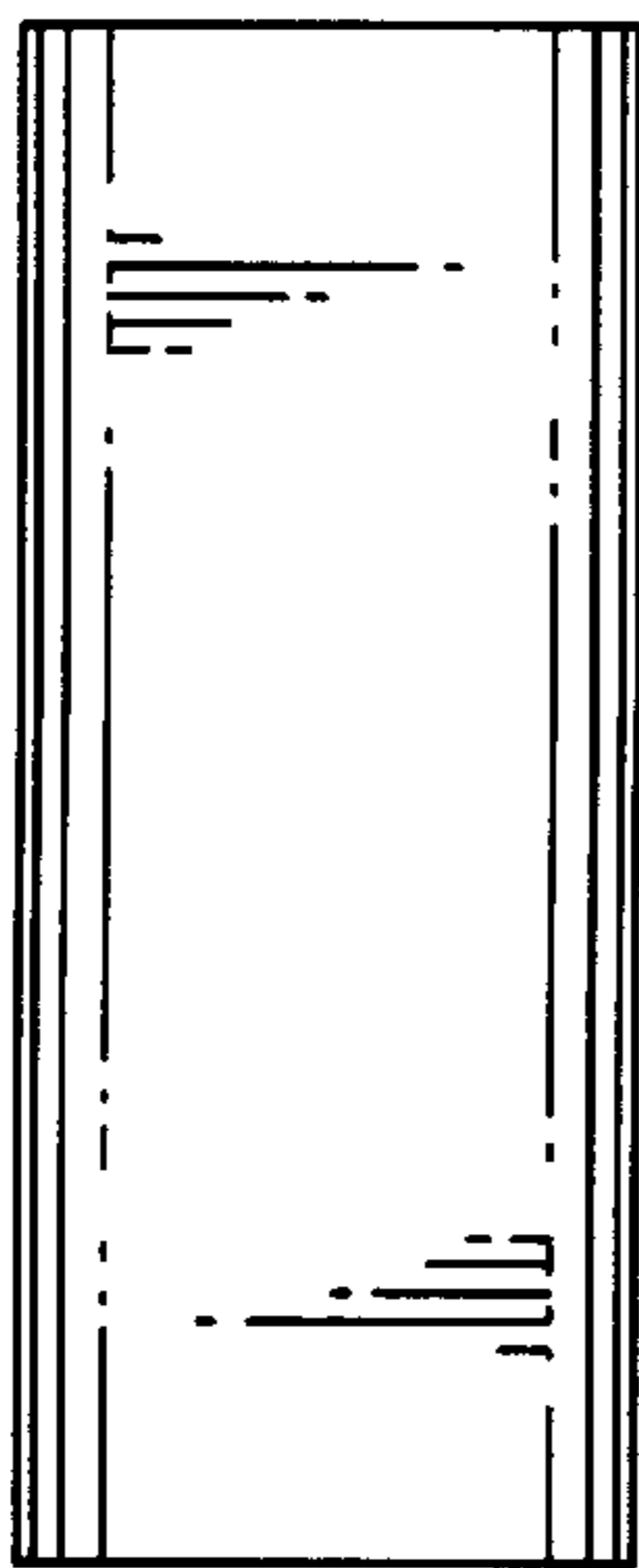
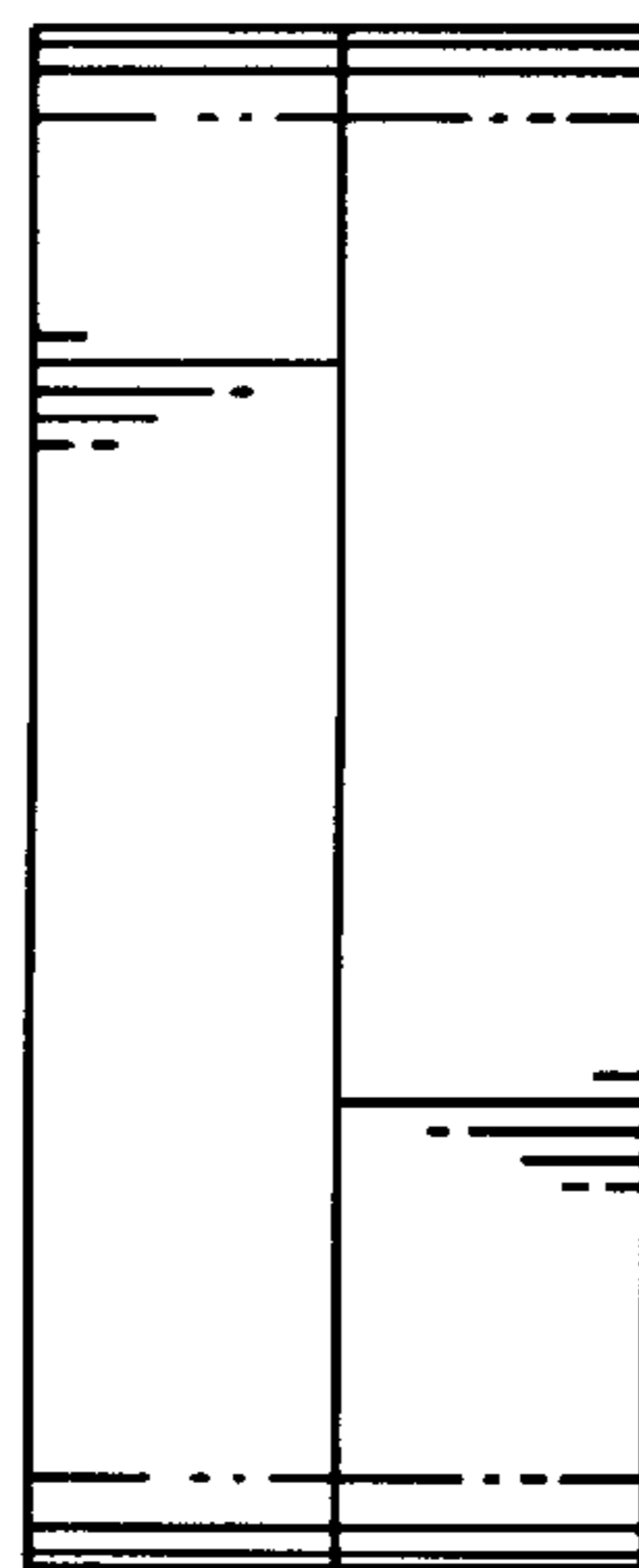


FIG. 20



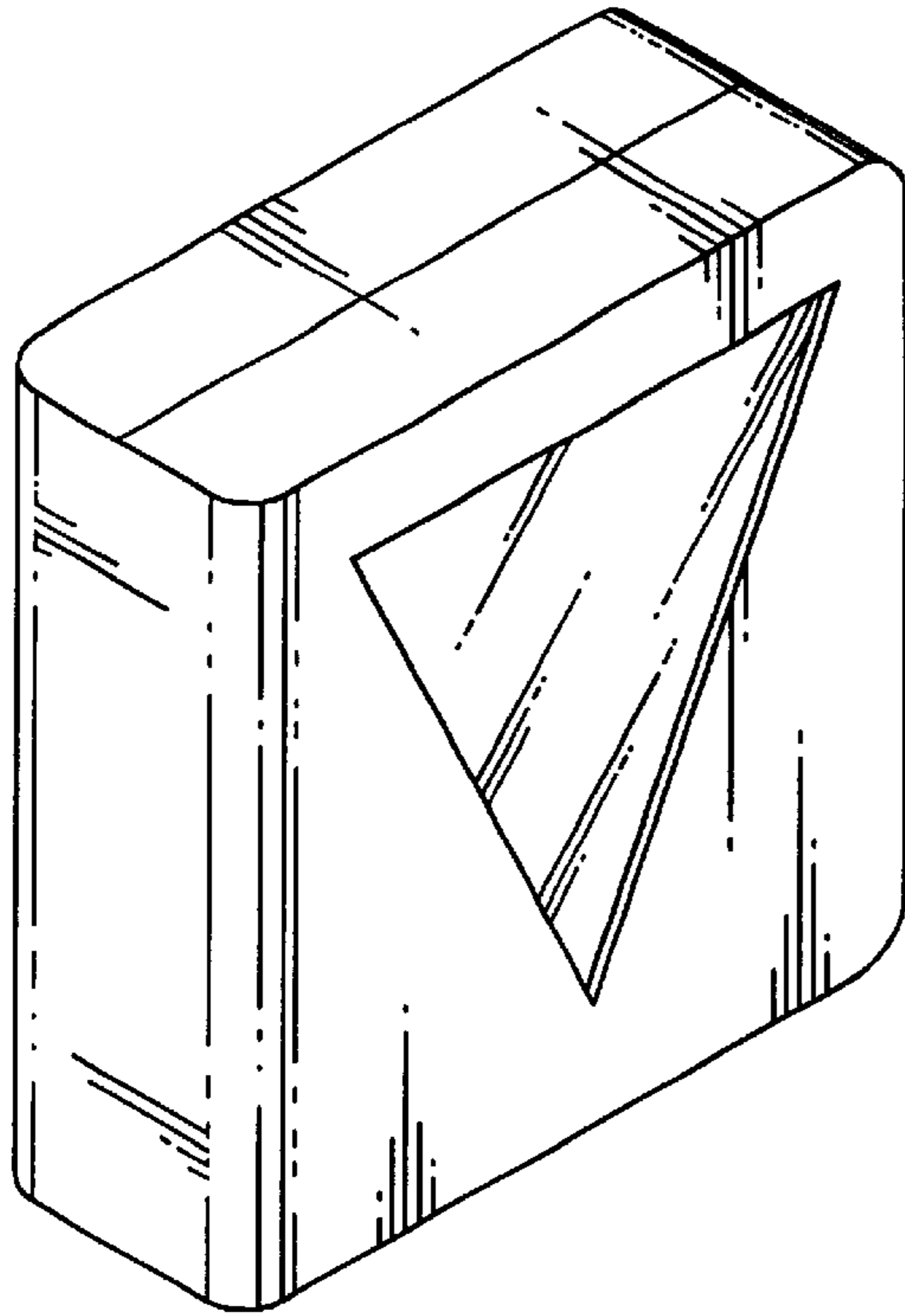


FIG. 21

FIG. 22

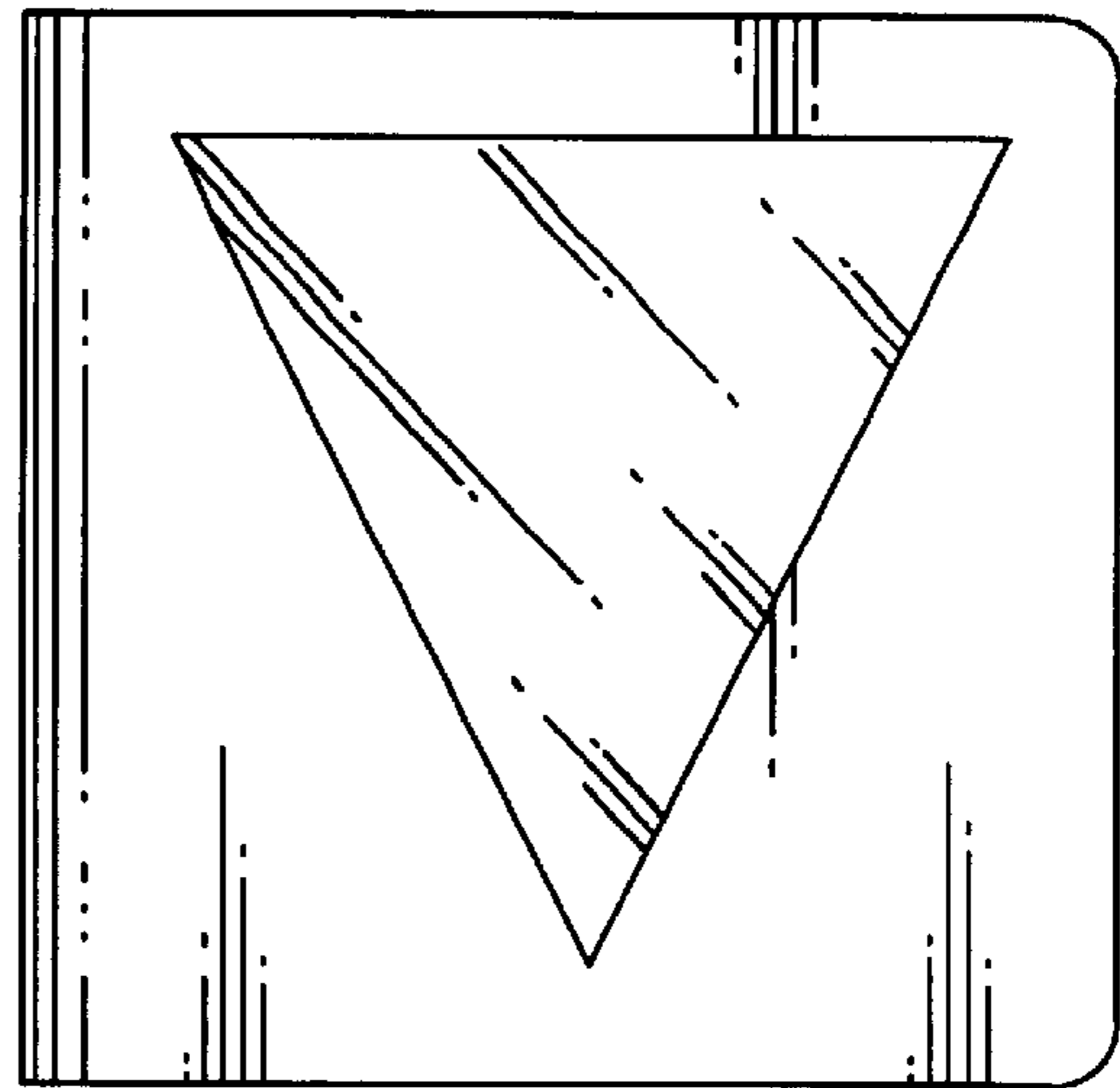


FIG. 23

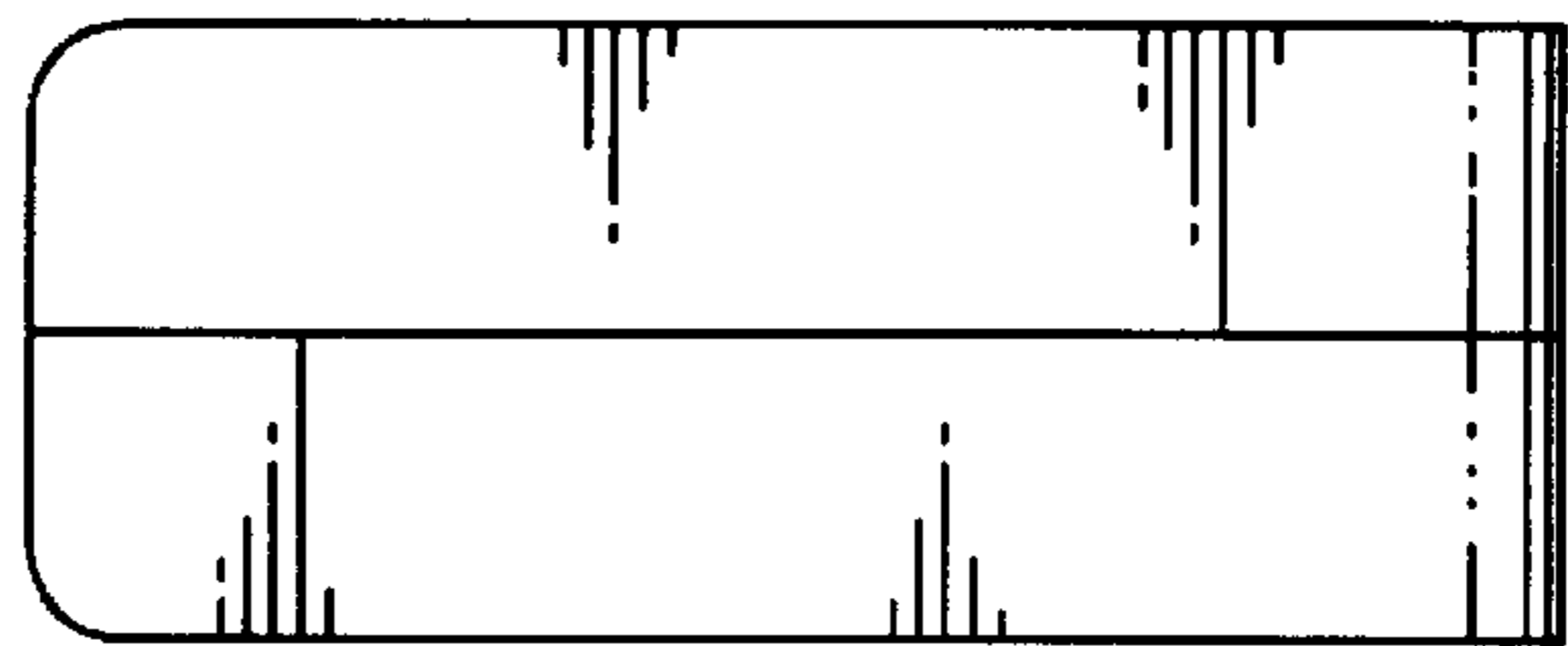


FIG. 24

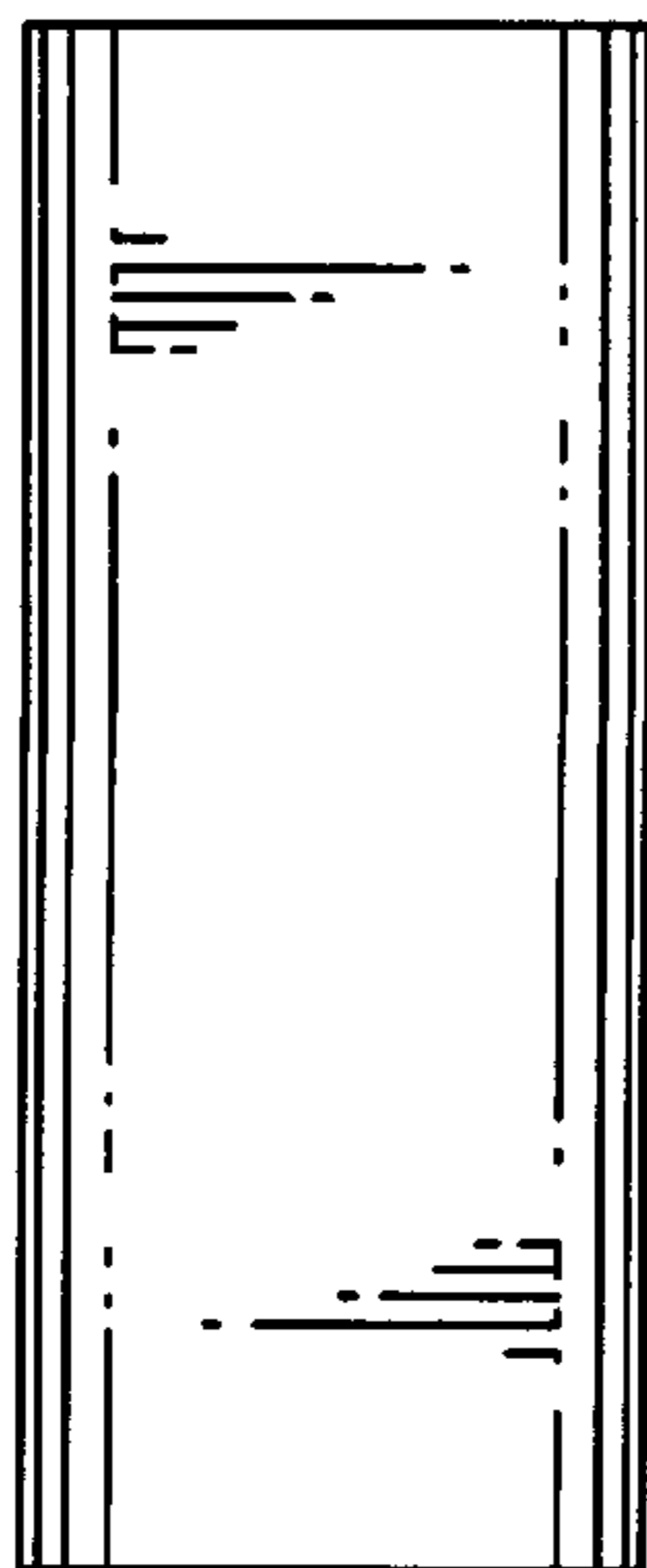


FIG. 25

