



US00D468527S

(12) **United States Design Patent**
Nevins

(10) **Patent No.:** **US D468,527 S**
(45) **Date of Patent:** **** Jan. 14, 2003**

- (54) **BAG**
- (76) Inventor: **Delania Y Nevins**, 3322 St Paul Ave.,
Bellwood, IL (US) 60104
- (**) Term: **14 Years**
- (21) Appl. No.: **29/157,614**
- (22) Filed: **Mar. 22, 2002**
- (51) **LOC (7) Cl.** **03-01**
- (52) **U.S. Cl.** **D3/246**
- (58) **Field of Search** D3/217, 229, 230,
D3/232, 233, 234, 238, 242, 243, 244,
245, 246, 254, 270, 271, 287, 303, 900,
902; D7/607; 150/112, 118, 154, 163, 901;
190/104, 107, 109, 111; 62/372, 400; 206/3,
315.1, 373, 486; 220/495.1; 224/148.3,
148.4, 148.5, 148.6, 191, 236, 259, 601,
602, 607, 614, 637; 362/156; 383/2, 6,
12, 13, 25, 29, 37, 38, 39, 40, 41, 74, 75,
109, 117

- D286,170 S * 10/1986 Colleuil D3/287 X
- 4,805,749 A 2/1989 Gerch
- 4,883,207 A 11/1989 McArthur
- 4,979,833 A 12/1990 Cook
- D353,520 S * 12/1994 Schwartz D7/607
- D365,443 S 12/1995 Wu
- D386,613 S * 11/1997 Terzian D3/287 X
- D398,148 S 9/1998 Jones et al.
- 5,839,577 A * 11/1998 Friedler 206/315.1
- 5,988,879 A 11/1999 Bredderman et al.
- 6,126,054 A * 10/2000 Riemer 383/38 X

* cited by examiner

Primary Examiner—Louis S. Zarfes
Assistant Examiner—Monica A. Weingart

(57) **CLAIM**

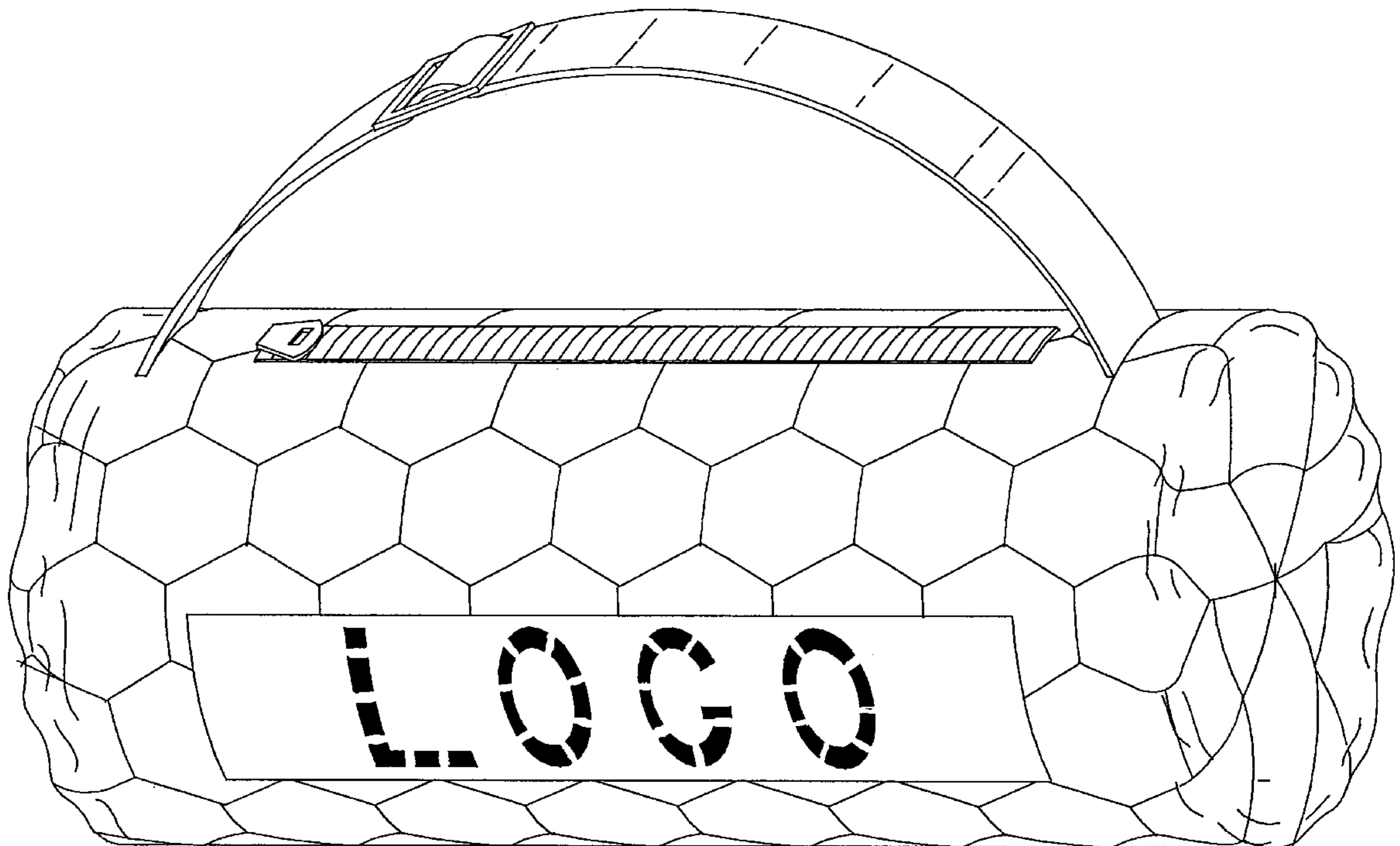
The ornamental design for a bag, as shown and described.

DESCRIPTION

FIG. 1 is a top, front, right side perspective view of the bag of the present invention; and,
FIG. 2 is a bottom, rear, left side perspective view of the bag of FIG. 1.
The broken line showing of a logo, in FIGS. 1 and 2, is for illustrative purposes only and forms no part of the claimed design.

- (56) **References Cited**
- U.S. PATENT DOCUMENTS**
- 4,094,351 A * 6/1978 Catenaccio D3/238 X
- 4,515,300 A 5/1985 Cohen

1 Claim, 2 Drawing Sheets



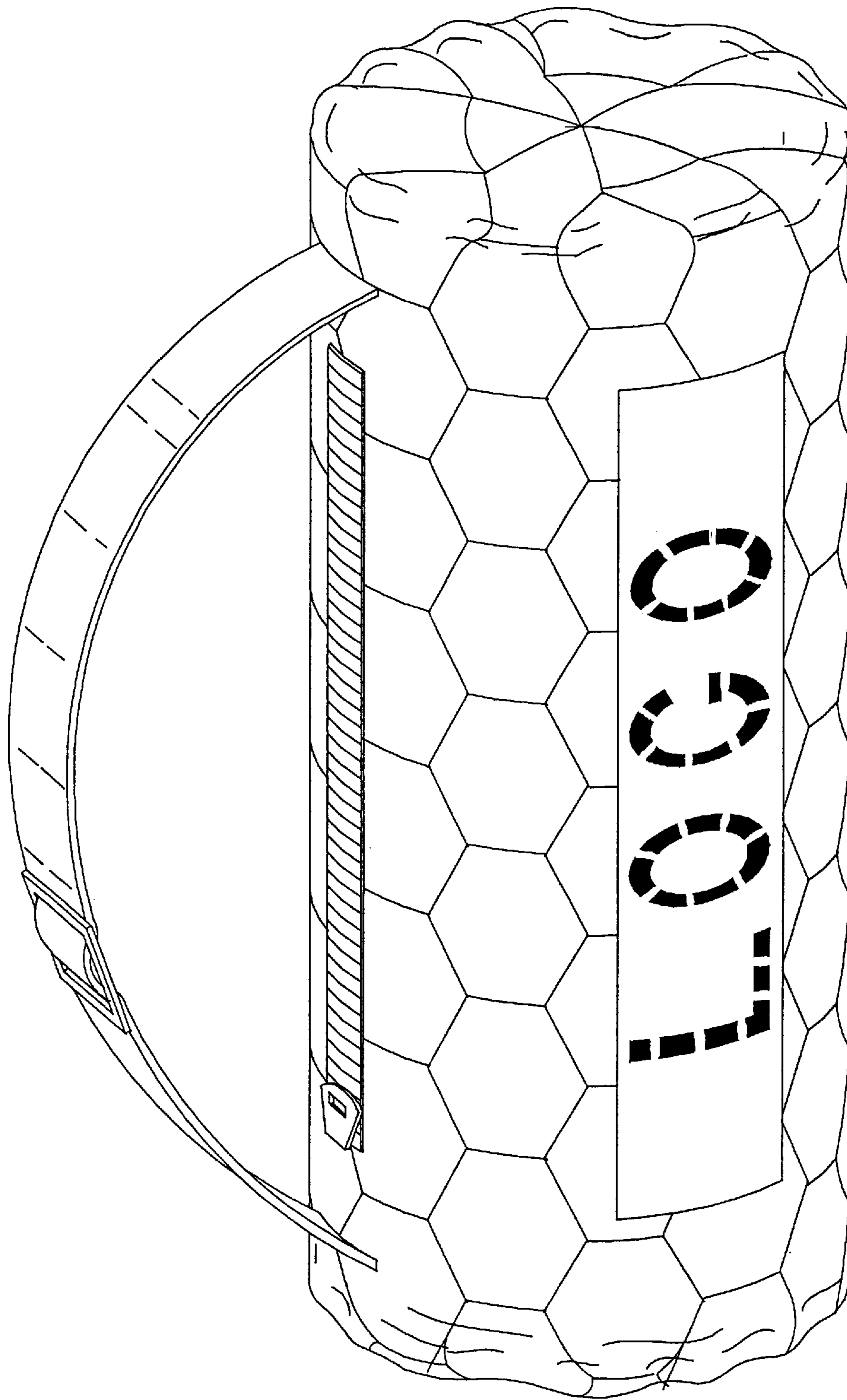


FIG. 1

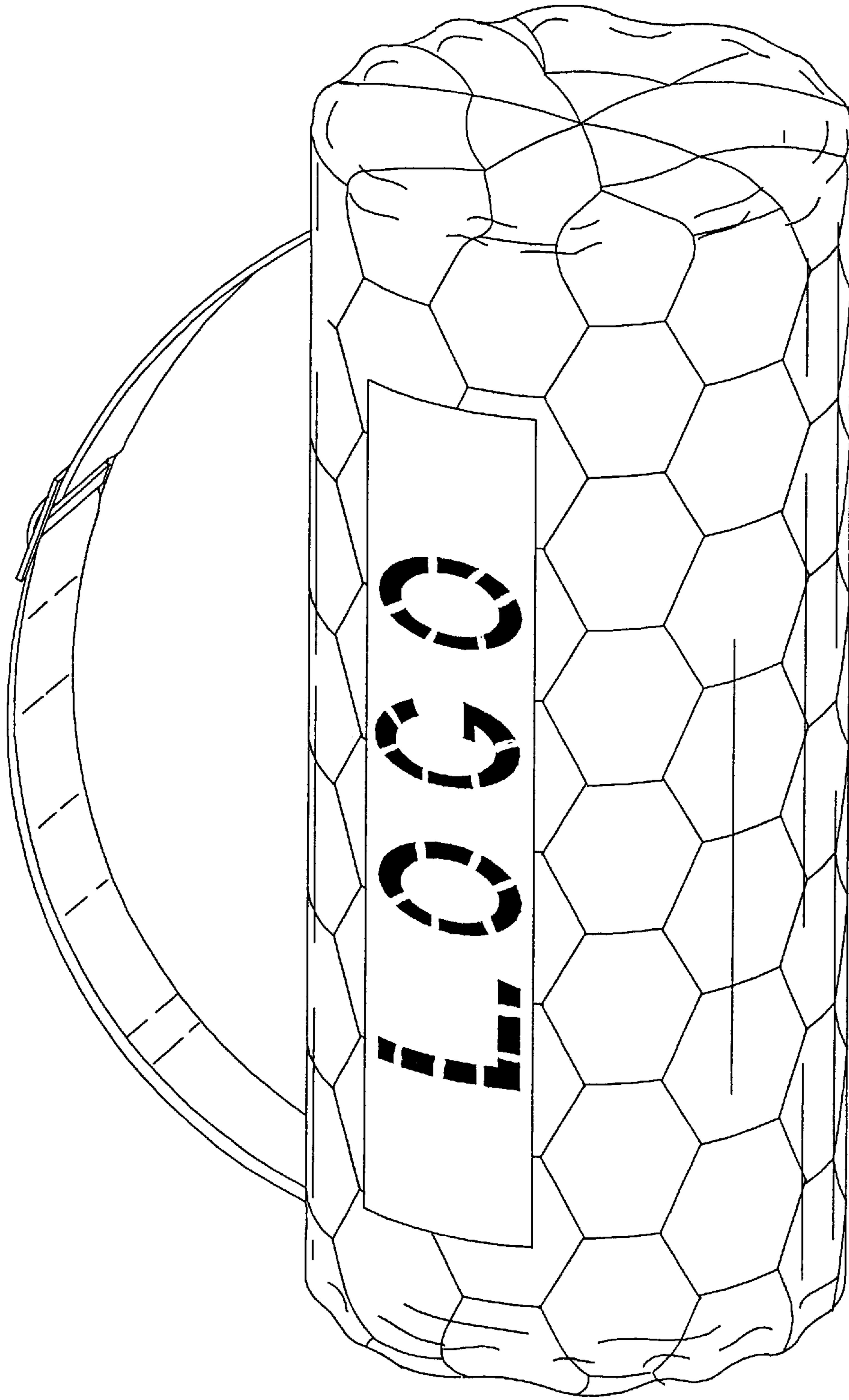


FIG. 2