



US00D468524S

(12) **United States Design Patent**  
**Sinton et al.**

(10) **Patent No.:** **US D468,524 S**

(45) **Date of Patent:** **\*\* Jan. 14, 2003**

(54) **COMPACT FOR DISPENSING PILLS**

(75) Inventors: **Alexander James Sinton**, Doylestown, PA (US); **Paul Raymond Finkelston**, Philadelphia, PA (US)

(73) Assignee: **American Home Products Corporation**, Madison, NJ (US)

(\*\*) Term: **14 Years**

(21) Appl. No.: **29/155,229**

(22) Filed: **Feb. 6, 2002**

(51) **LOC (7) Cl.** ..... **03-01**

(52) **U.S. Cl.** ..... **D3/203**

(58) **Field of Search** ..... D3/203, 201, 205; D9/341, 423, 420, 339, 417; D28/8, 78, 79, 83; D24/226, 229; 206/531, 534.1, 459.1, 535, 532, 539

(56) **References Cited**

**U.S. PATENT DOCUMENTS**

D245,762 S	9/1977	Takacs	.....	D9/235
D248,675 S	7/1978	Gaudiche	.....	D28/78
D267,983 S	2/1983	Cheung	.....	D28/67
D278,276 S	4/1985	Bakic	.....	D28/78
D279,258 S	6/1985	Curtis	.....	D9/339
D281,827 S	12/1985	Bakic	.....	D28/83
D282,300 S	1/1986	Bakic	.....	D28/83
D293,941 S	1/1988	Elie	.....	D28/10
D305,947 S	2/1990	Chevassus	.....	D28/78

D370,843 S	*	6/1996	Lluch	.....	D9/339
D423,111 S	*	4/2000	Davis et al.	.....	D3/203 X
D424,245 S	*	5/2000	Stoecker	.....	D28/78
D424,753 S		5/2000	Grossnickle et al.	.....	D28/82
D431,458 S	*	10/2000	Bried et al.	.....	D9/339
D433,773 S	*	11/2000	Gavin	.....	D28/78 X
D441,951 S	*	5/2001	Cheng	.....	D3/203

\* cited by examiner

*Primary Examiner*—Catherine R. Oliver

(74) *Attorney, Agent, or Firm*—Darby & Darby

(57) **CLAIM**

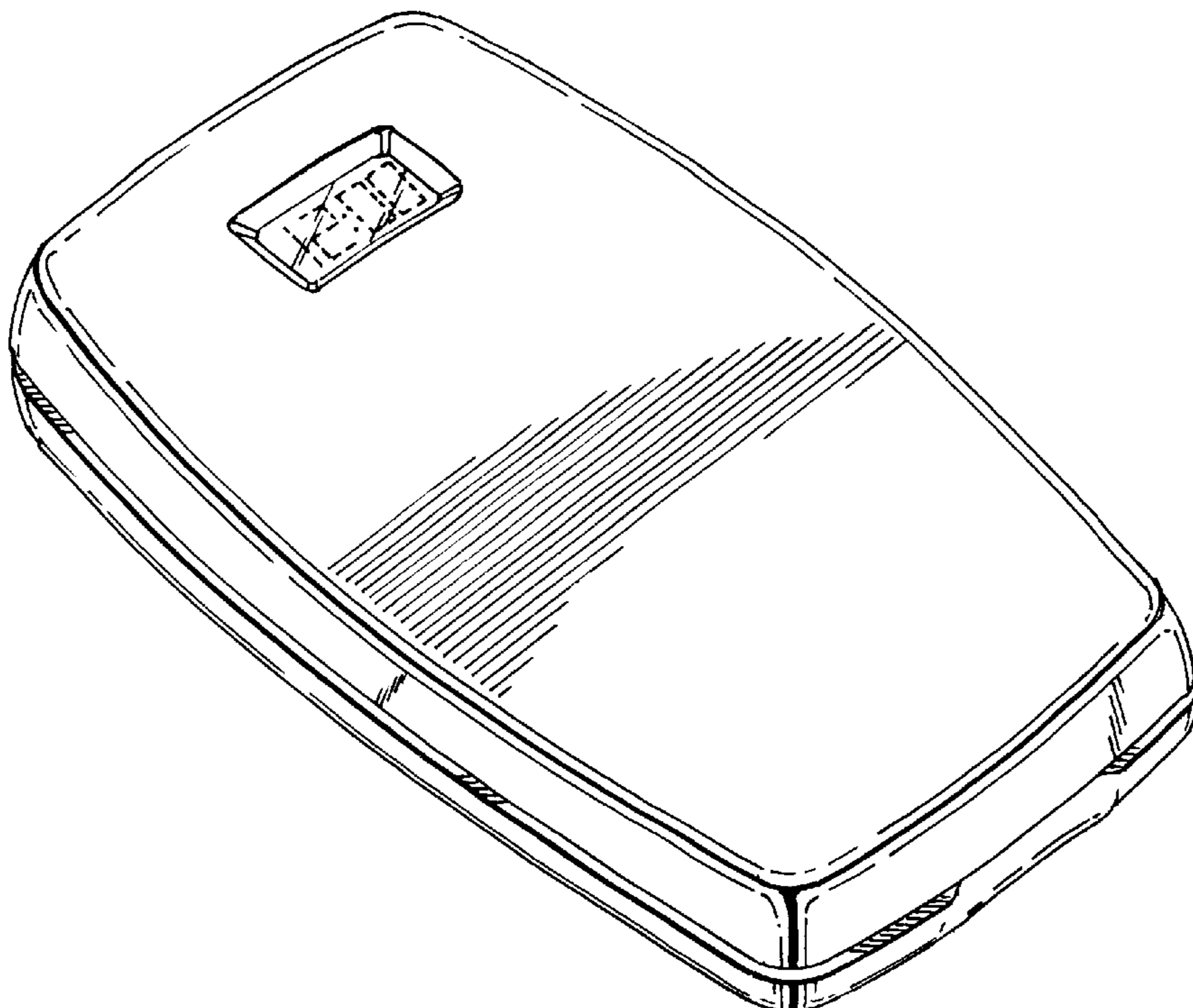
The ornamental design for a compact for dispensing pills, as shown and described.

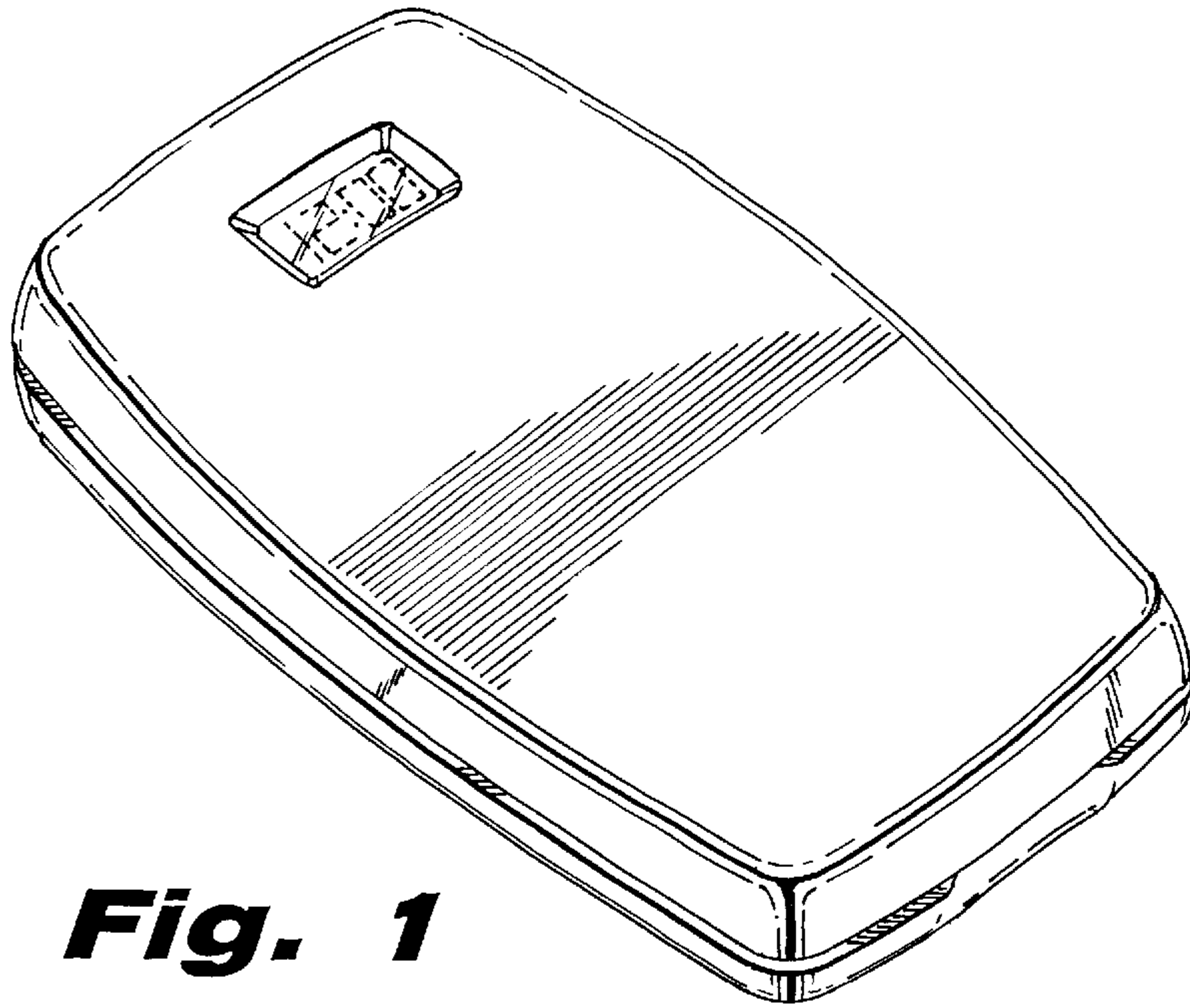
**DESCRIPTION**

FIG. 1 is a perspective view of a compact for dispensing pills according to our new design in its closed condition; FIG. 2 is a top plan view of the closed compact; FIG. 3 is a bottom plan view of the closed compact; FIG. 4 is a side elevational view of the closed compact, the opposite side view being the mirror image thereof; FIG. 5 is a front elevational view of the closed compact; FIG. 6 is a rear elevational view of the closed compact; and, FIG. 7 is a perspective view of the compact in its open condition.

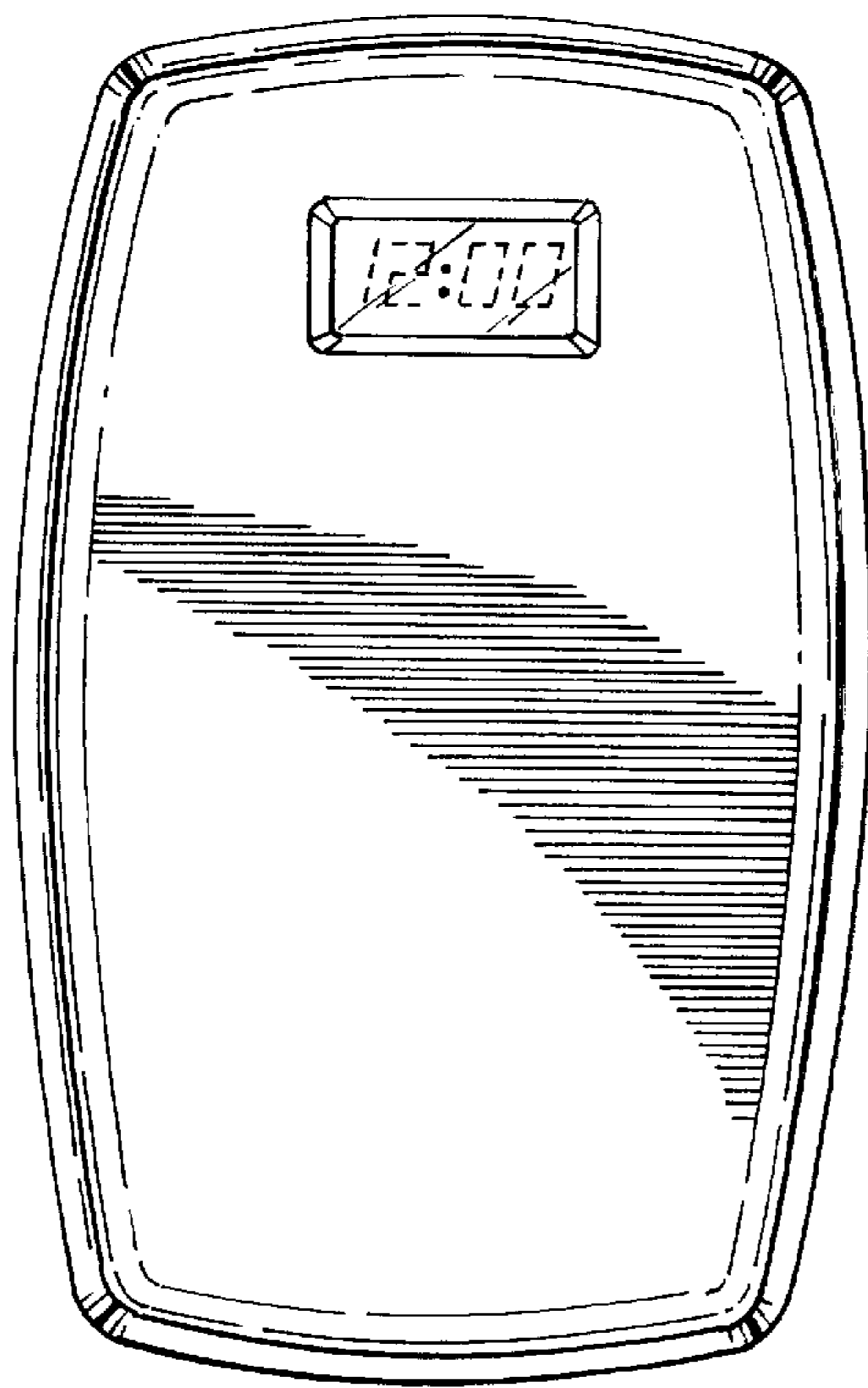
The broken line showing of environment in the drawings is for illustrative purposes only and forms no part of the claimed design.

**1 Claim, 2 Drawing Sheets**

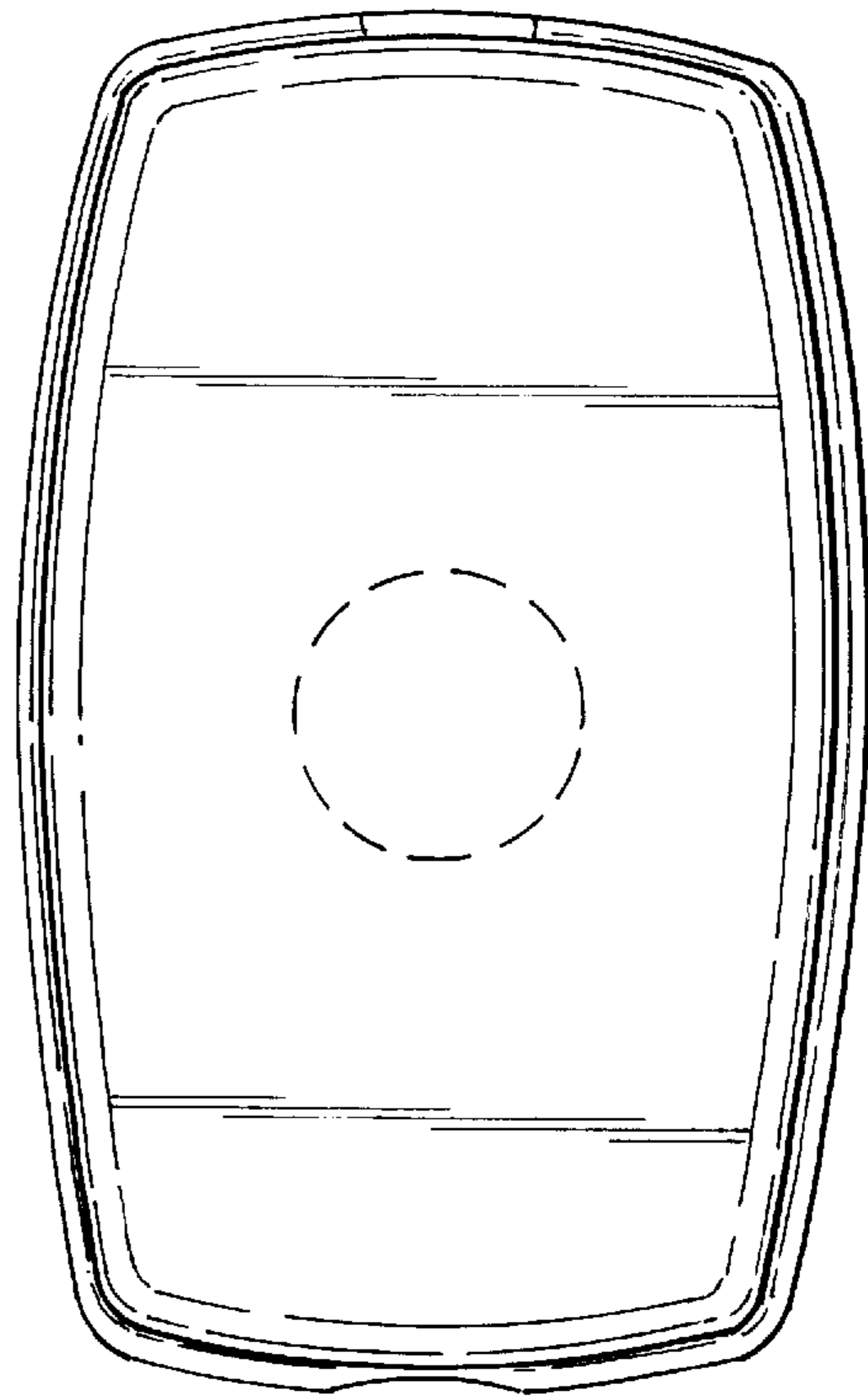




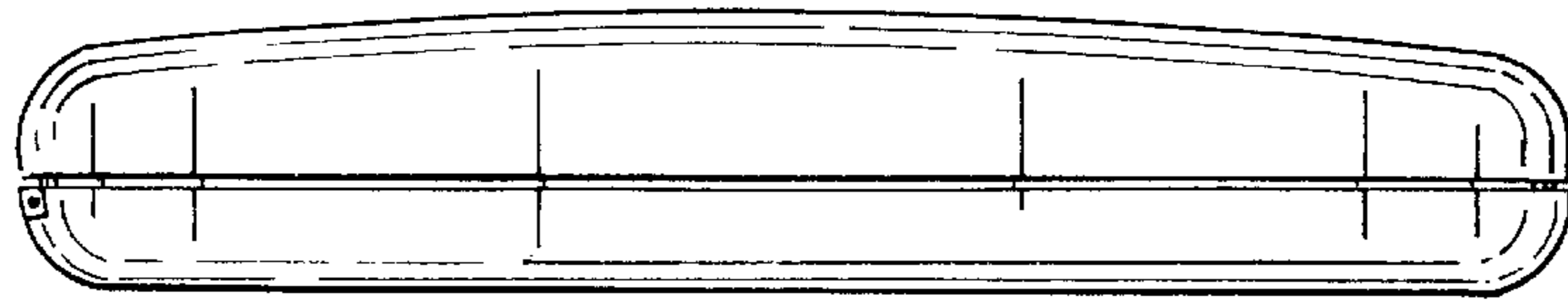
**Fig. 1**



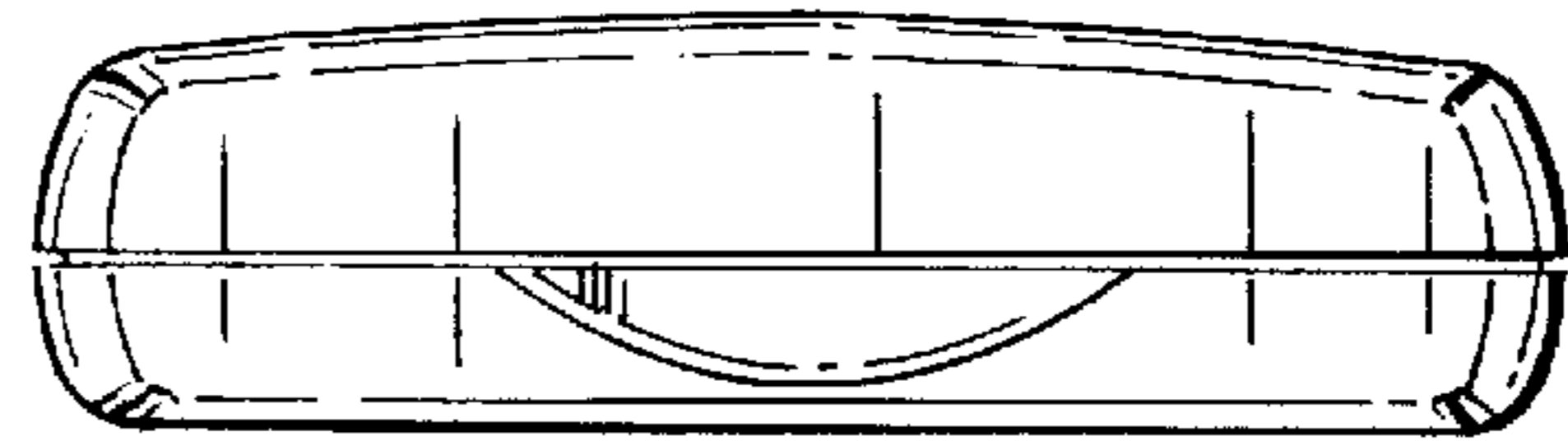
**Fig. 2**



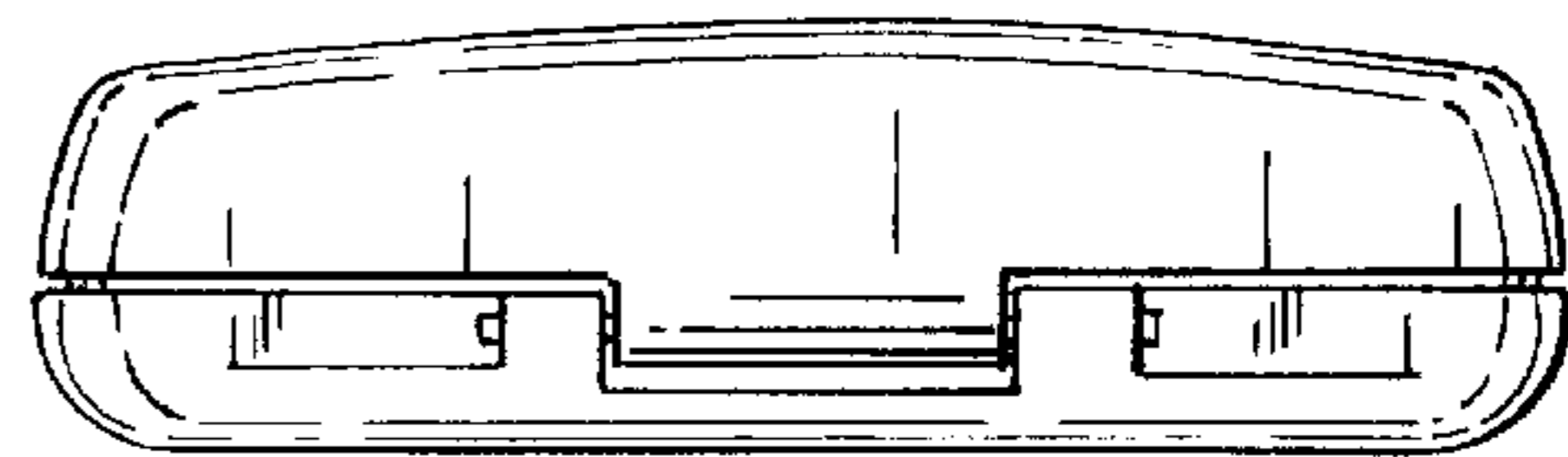
**Fig. 3**



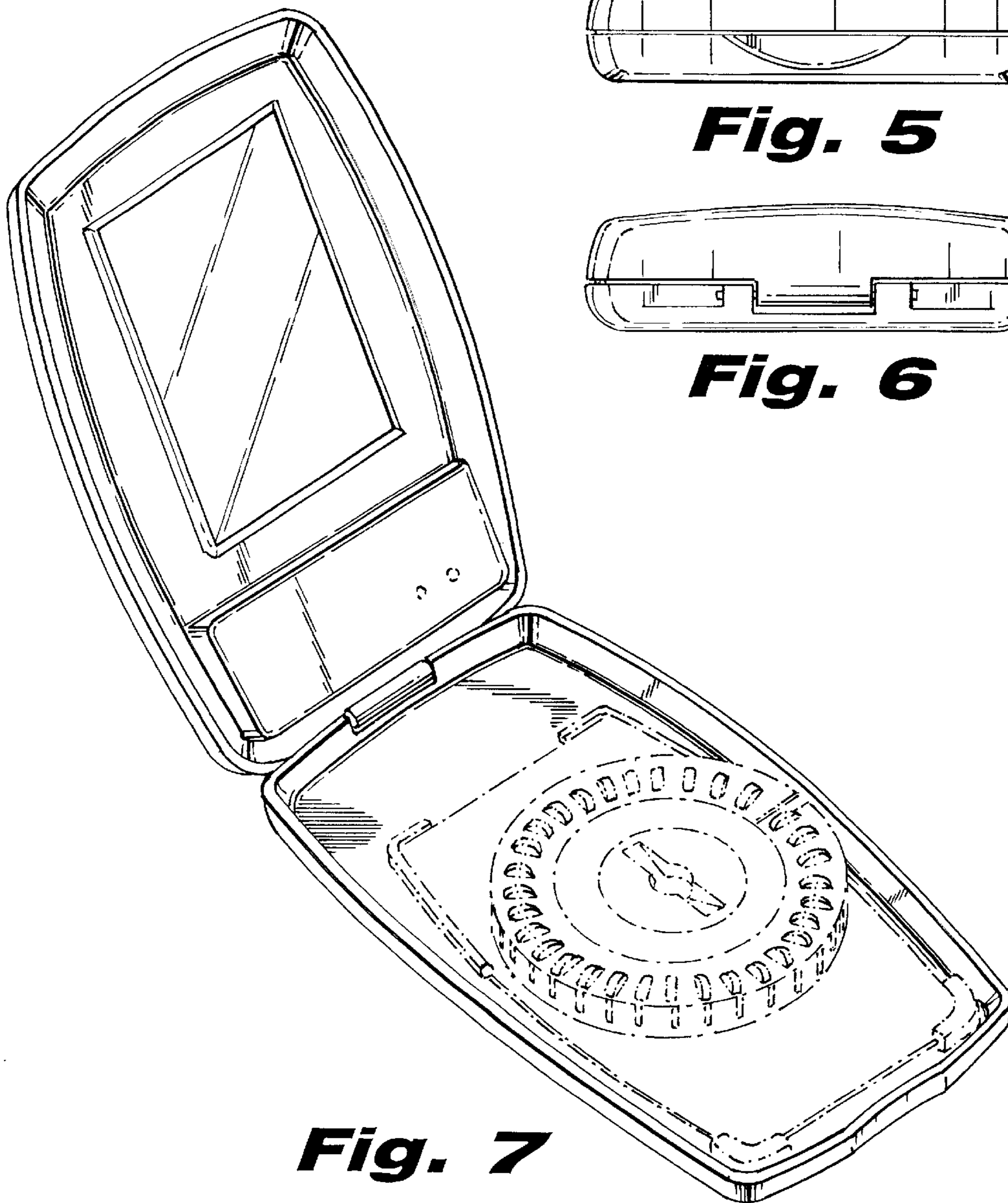
**Fig. 4**



**Fig. 5**



**Fig. 6**



**Fig. 7**