



US00D468522S

(12) **United States Design Patent**
Wilson

(10) **Patent No.:** **US D468,522 S**
(45) **Date of Patent:** **** Jan. 14, 2003**

- (54) **PORTION OF A SHOE UPPER**
- (75) Inventor: **Ralph Davis Wilson**, Torrance, CA (US)
- (73) Assignee: **Skechers U.S.A., Inc., II**, Manhattan Beach, CA (US)
- (**) Term: **14 Years**
- (21) Appl. No.: **29/165,756**
- (22) Filed: **Aug. 16, 2002**

Related U.S. Application Data

- (62) Division of application No. 29/160,051, filed on May 3, 2002.
- (51) **LOC (7) Cl.** **02-99**
- (52) **U.S. Cl.** **D2/975; D2/972**
- (58) **Field of Search** D2/896, 902, 907, D2/943, 946, 969, 972, 973, 975; 36/45, 50.1, 51, 77 M, 77 R, 83, 88, 113, 114, 126-130

(56) **References Cited**

U.S. PATENT DOCUMENTS

- 3,626,610 A 12/1971 Dassler
- D266,455 S * 10/1982 Famolare, Jr. D2/969
- 4,377,913 A 3/1983 Stone
- 4,616,432 A 10/1986 Bunch
- 4,733,439 A 3/1988 Gentry
- D296,147 S * 6/1988 McCrea D2/969
- 4,811,497 A 3/1989 Merino Ciudad
- D322,878 S * 1/1992 Hatfield D2/969
- D324,939 S 3/1992 Hatfield
- D332,001 S 12/1992 Bayer
- 5,307,569 A 5/1994 Melcher
- D351,723 S 10/1994 Bevier
- D357,794 S 5/1995 Avar
- D362,333 S 9/1995 Teague
- D370,554 S 6/1996 Greene
- D370,994 S 6/1996 Avar
- D373,460 S 9/1996 Crowley
- D375,194 S 11/1996 Teague

- D377,410 S 1/1997 Crowley
- D379,557 S 6/1997 Pratt
- D380,081 S 6/1997 Gerber
- D385,998 S 11/1997 Clegg
- D386,604 S 11/1997 Cass
- D388,244 S 12/1997 Serna
- 5,701,688 A 12/1997 Crowley
- D394,742 S 6/1998 Gaudio
- D397,543 S 9/1998 Silvers
- D397,862 S 9/1998 Aird
- D400,700 S 11/1998 Aird
- D401,755 S 12/1998 Zinovieff
- D404,193 S 1/1999 Tong
- D410,691 S * 6/1999 Boyer D2/907
- D415,882 S 11/1999 McDowell
- D421,835 S 3/2000 Akhidime
- D422,128 S 4/2000 Adler
- D422,403 S 4/2000 Heaslet
- D423,208 S 4/2000 Cass
- D424,290 S 5/2000 Lamprou
- D426,372 S 6/2000 Price
- D431,348 S * 10/2000 Matis et al. D2/969
- D431,713 S * 10/2000 Wilson D2/973

(List continued on next page.)

Primary Examiner—Dominic Simone
(74) *Attorney, Agent, or Firm*—Marshall A. Lerner; Bradford E. Mattes; Kleinberg & Lerner, LLP

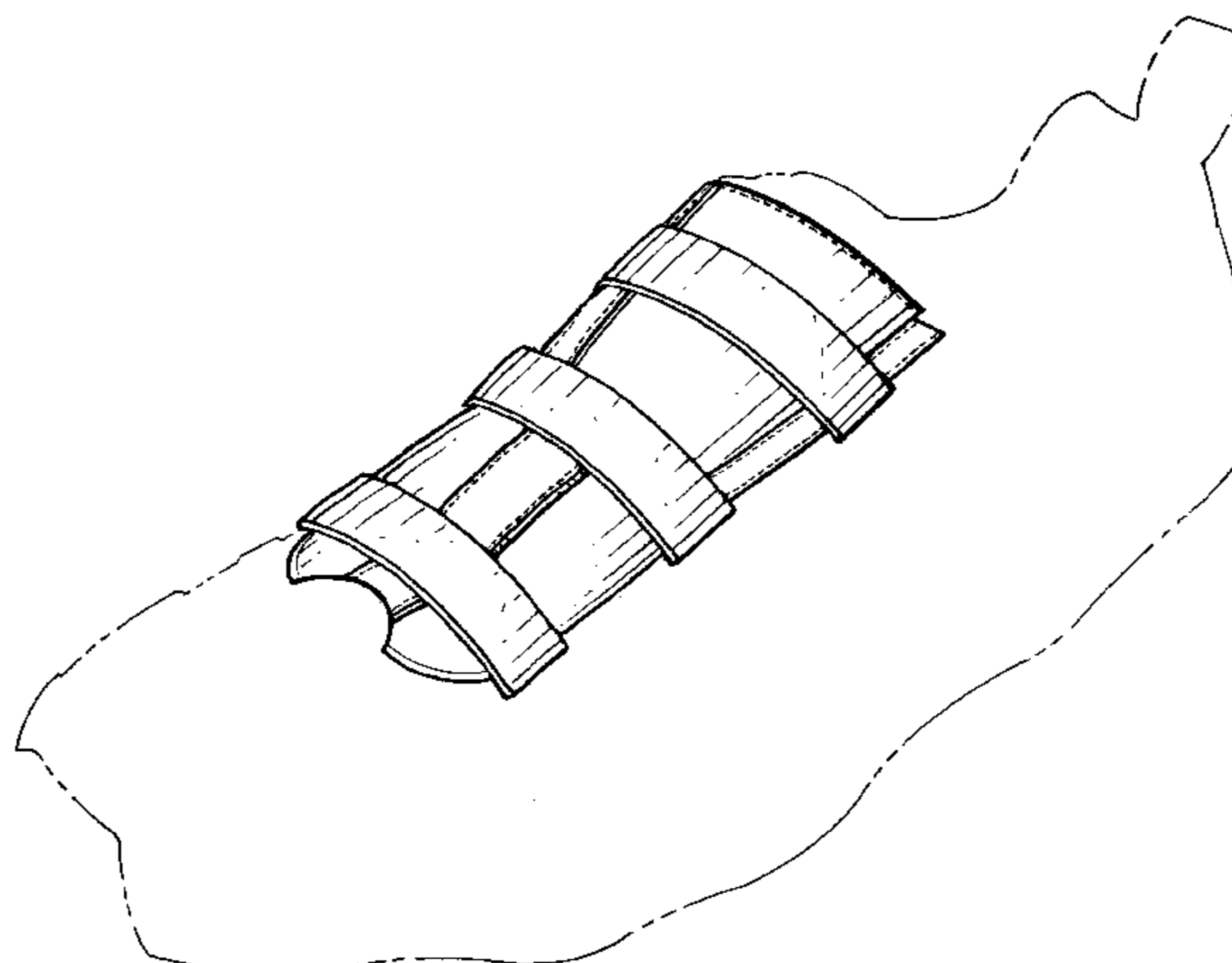
(57) **CLAIM**

The ornamental design for a portion of a shoe upper, as shown and described.

DESCRIPTION

FIG. 1 is a perspective view of the portion of a shoe upper showing my new design;
FIG. 2 is a top plan view thereof;
FIG. 3 is a left side elevational view thereof;
FIG. 4 is a right side elevational view thereof; and,
FIG. 5 is a front elevational view thereof.
Broken lines in the figures are for illustrative purposes only and form no part of the claimed design.

1 Claim, 3 Drawing Sheets



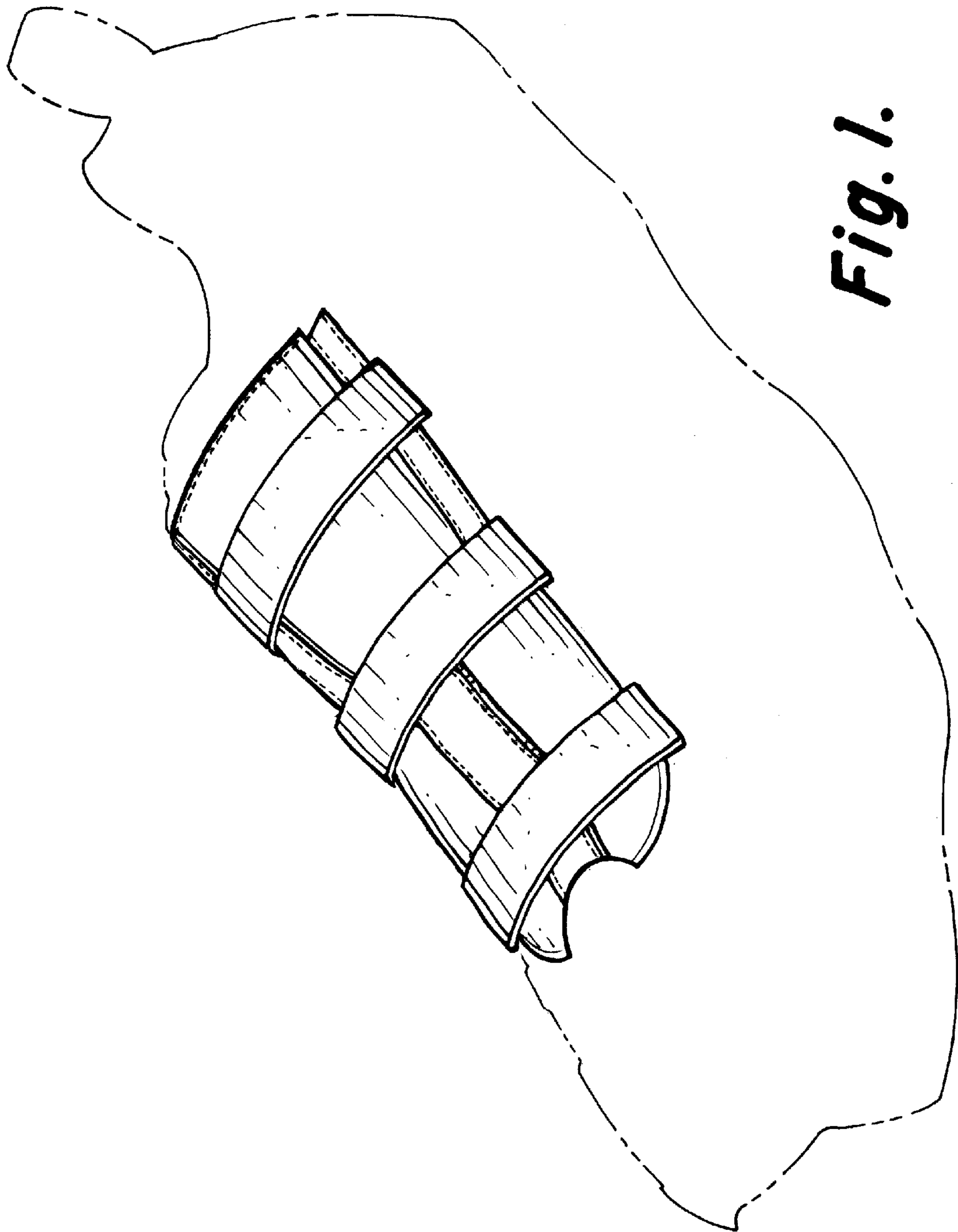
US D468,522 S

Page 2

U.S. PATENT DOCUMENTS

D432,292 S	10/2000	Kim	D446,000 S	8/2001	Price	
D432,776 S	10/2000	McDowell	D447,860 S	* 9/2001	Matis et al.	D2/969
D435,162 S	12/2000	Wilson	D448,550 S	10/2001	Yang	
D439,734 S	4/2001	Wilson	D451,269 S	12/2001	Burt	
D444,622 S	7/2001	Wilson	D451,271 S	12/2001	Gerber	
D444,623 S	7/2001	Wilson	D452,070 S	12/2001	Holmes	
D444,624 S	7/2001	Wilson	D455,250 S	4/2002	Wilson	
D444,937 S	7/2001	Wilson	D458,741 S	* 6/2002	Rogers	D2/969

* cited by examiner



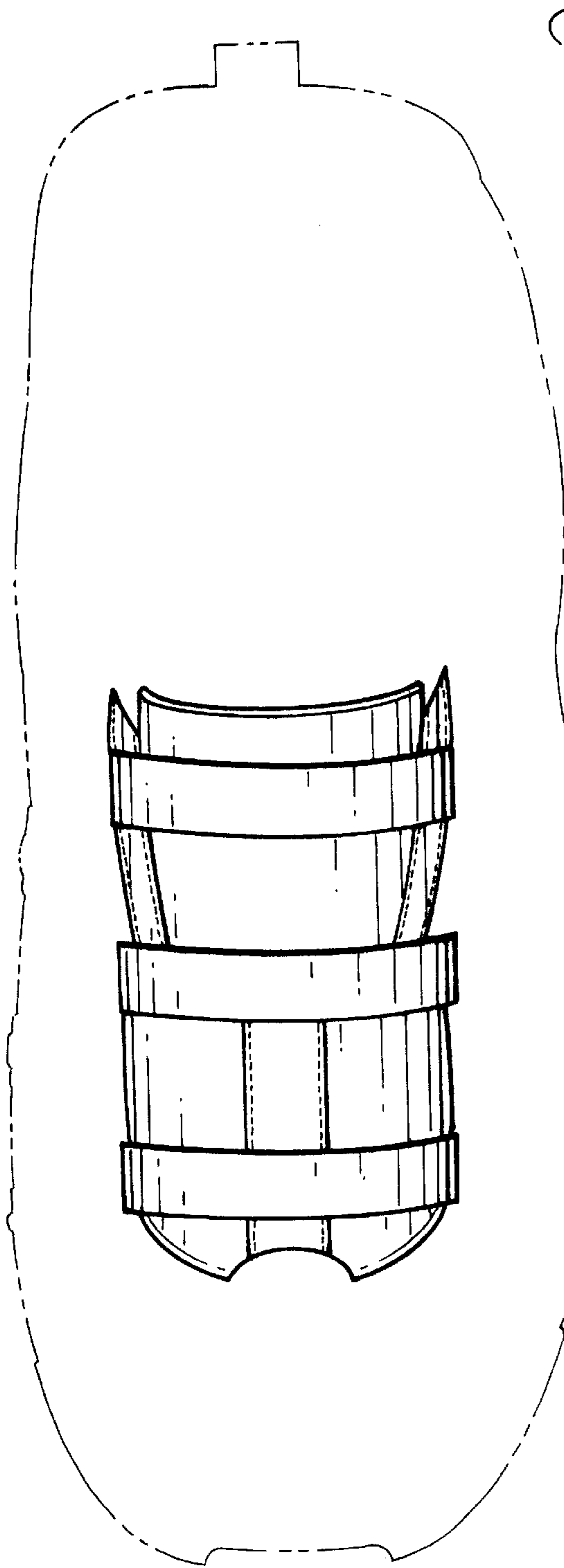


Fig. 2.

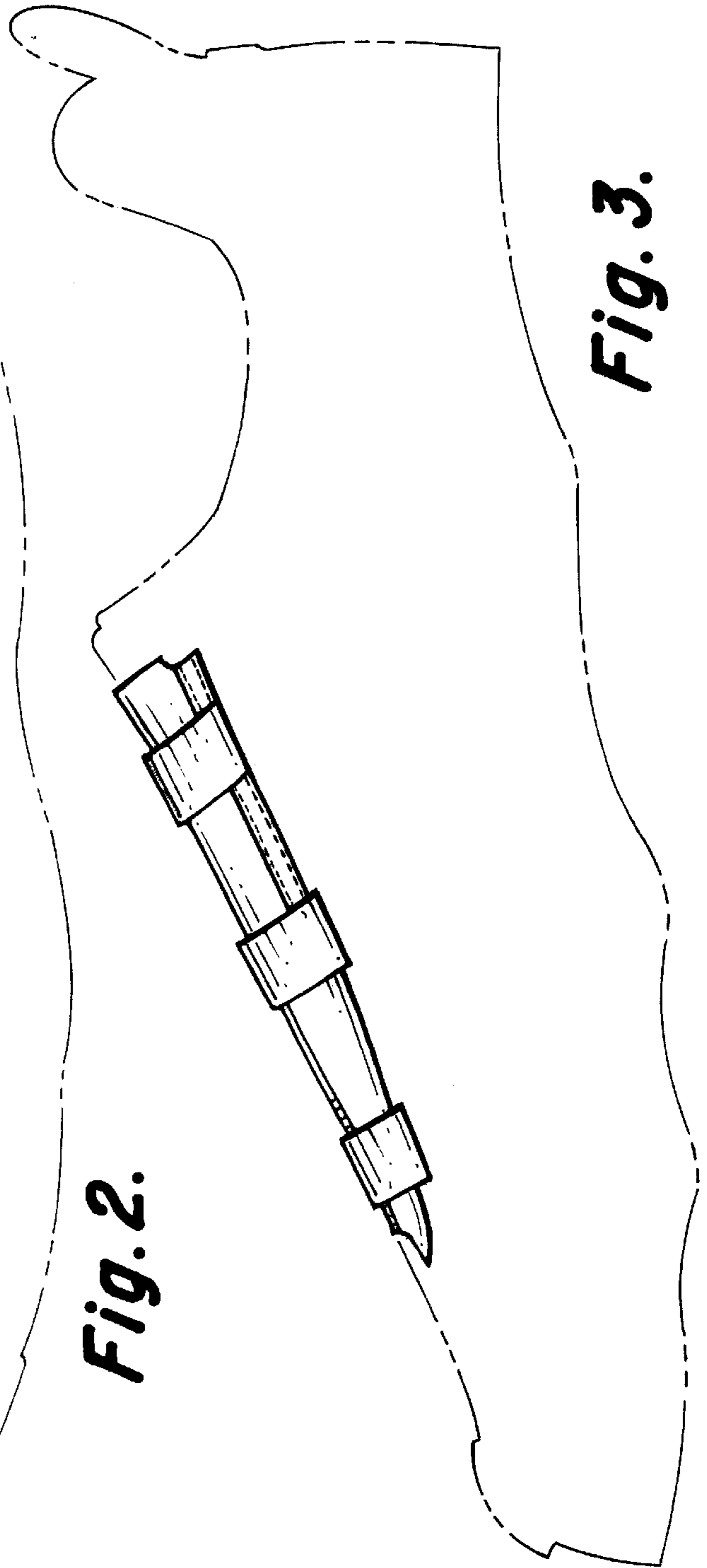


Fig. 3.

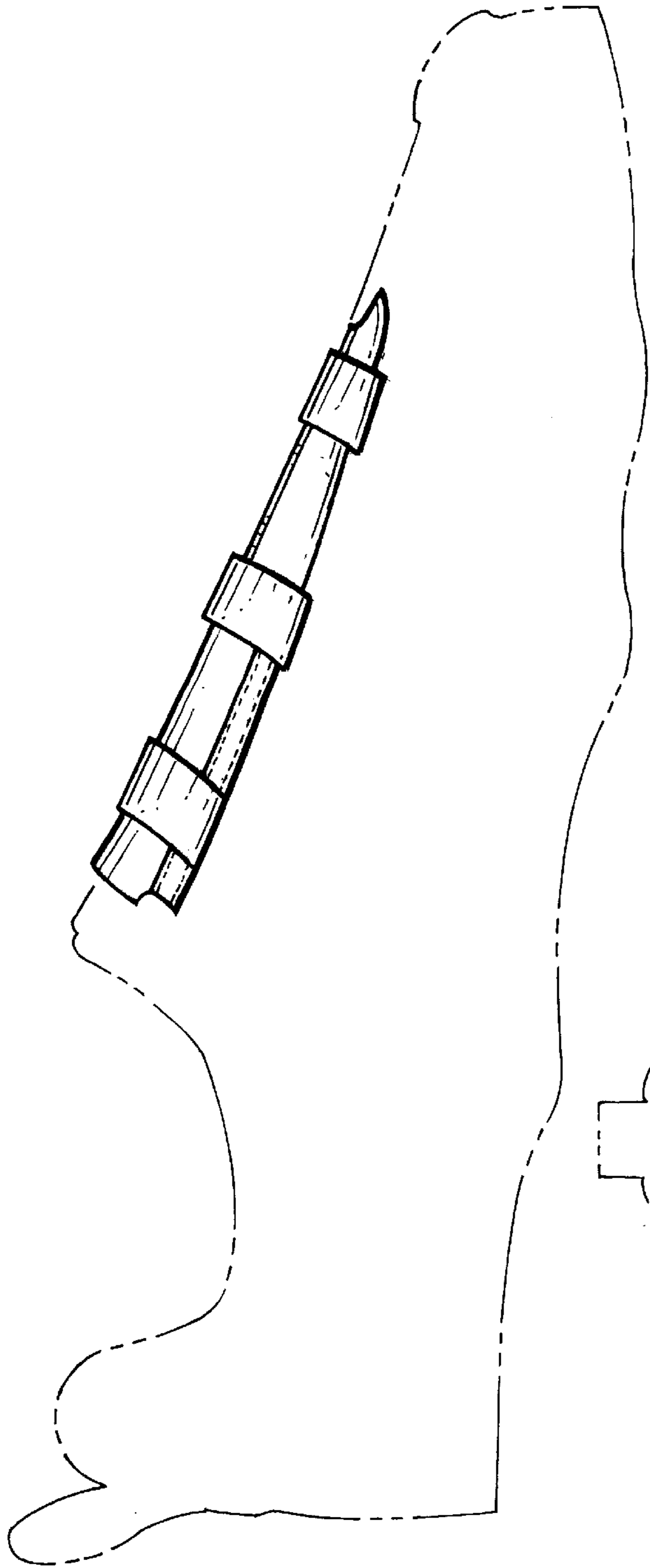


Fig. 4.

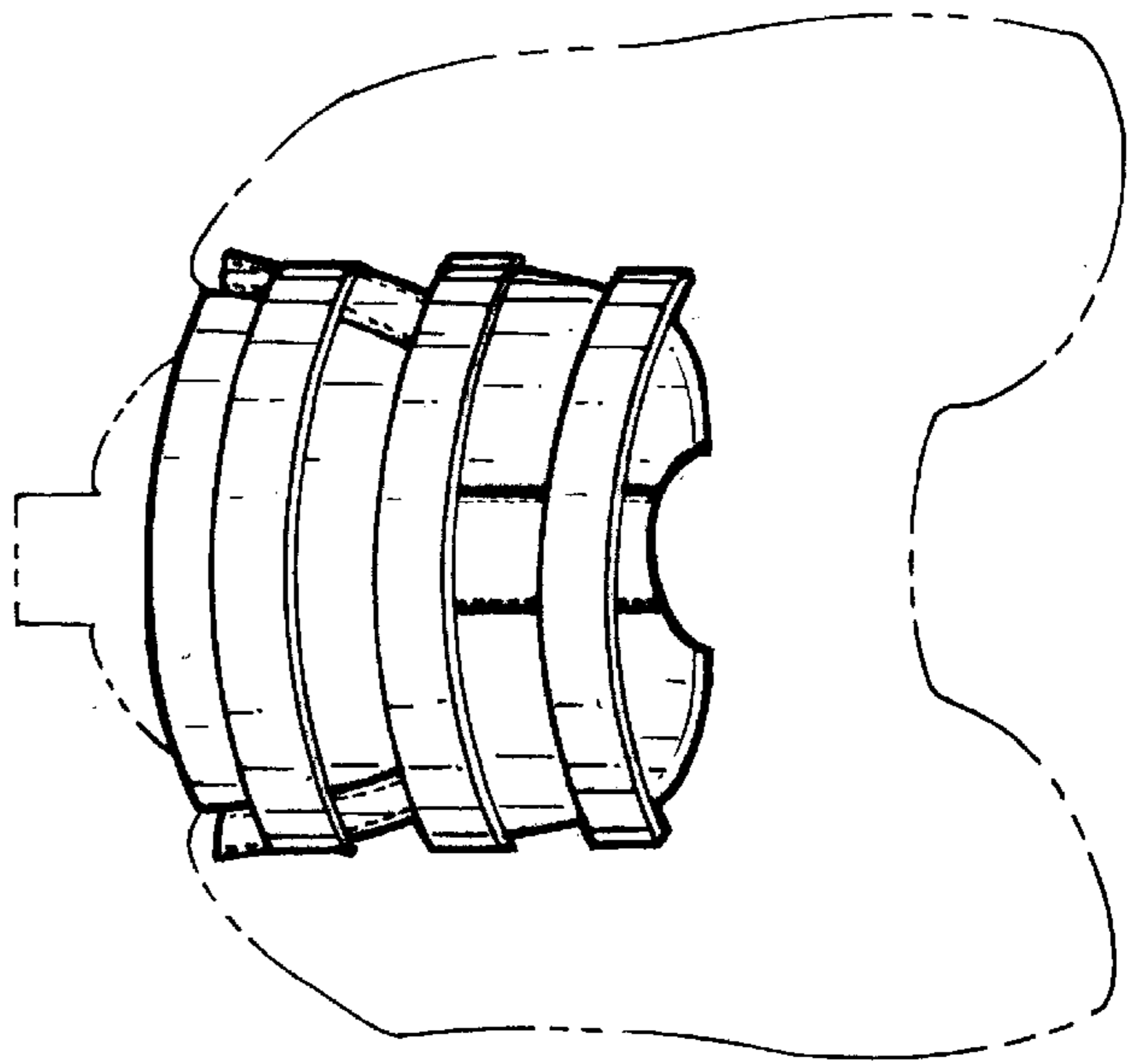


Fig. 5.