



US00D468514S

(12) **United States Design Patent**
Pope et al.

(10) **Patent No.:** **US D468,514 S**
(45) **Date of Patent:** **** Jan. 14, 2003**

(54) **TUXEDO**

(76) Inventors: **Frankie L Pope**, 1408 Robinson Ave., East Gadsden, AL (US) 35903; **Annie J St. George**, 1408 Robinson Ave., East Gadsden, AL (US) 35903

(**) Term: **14 Years**

(21) Appl. No.: **29/138,596**

(22) Filed: **Mar. 16, 2001**

(51) **LOC (7) Cl.** **02-02**

(52) **U.S. Cl.** **D2/830**

(58) **Field of Search** D2/712, 715, 716-720, D2/738-739, 741-742, 744-748, 828-839, 840-849; 2/79-83, 227, 113-115, 116, 121, 122, 128, 93-97, 102-108

(56) **References Cited**

U.S. PATENT DOCUMENTS

- 1,017,781 A * 2/1912 Matthews 2/93
- 1,126,817 A 2/1915 Meltsner
- D82,570 S * 11/1930 Longnecker D2/739
- 1,805,577 A * 5/1931 Freeman 2/227
- D85,786 S * 12/1931 Stern D2/741
- 2,616,087 A 11/1952 Werber
- 3,115,641 A * 12/1963 Rea 2/227

- D269,645 S 7/1983 Cameron
- D280,253 S 8/1985 Williams
- D378,237 S 3/1997 McDonald
- D382,688 S 8/1997 Bennett

* cited by examiner

Primary Examiner—Louis S. Zarfaz
Assistant Examiner—Deanne Levy

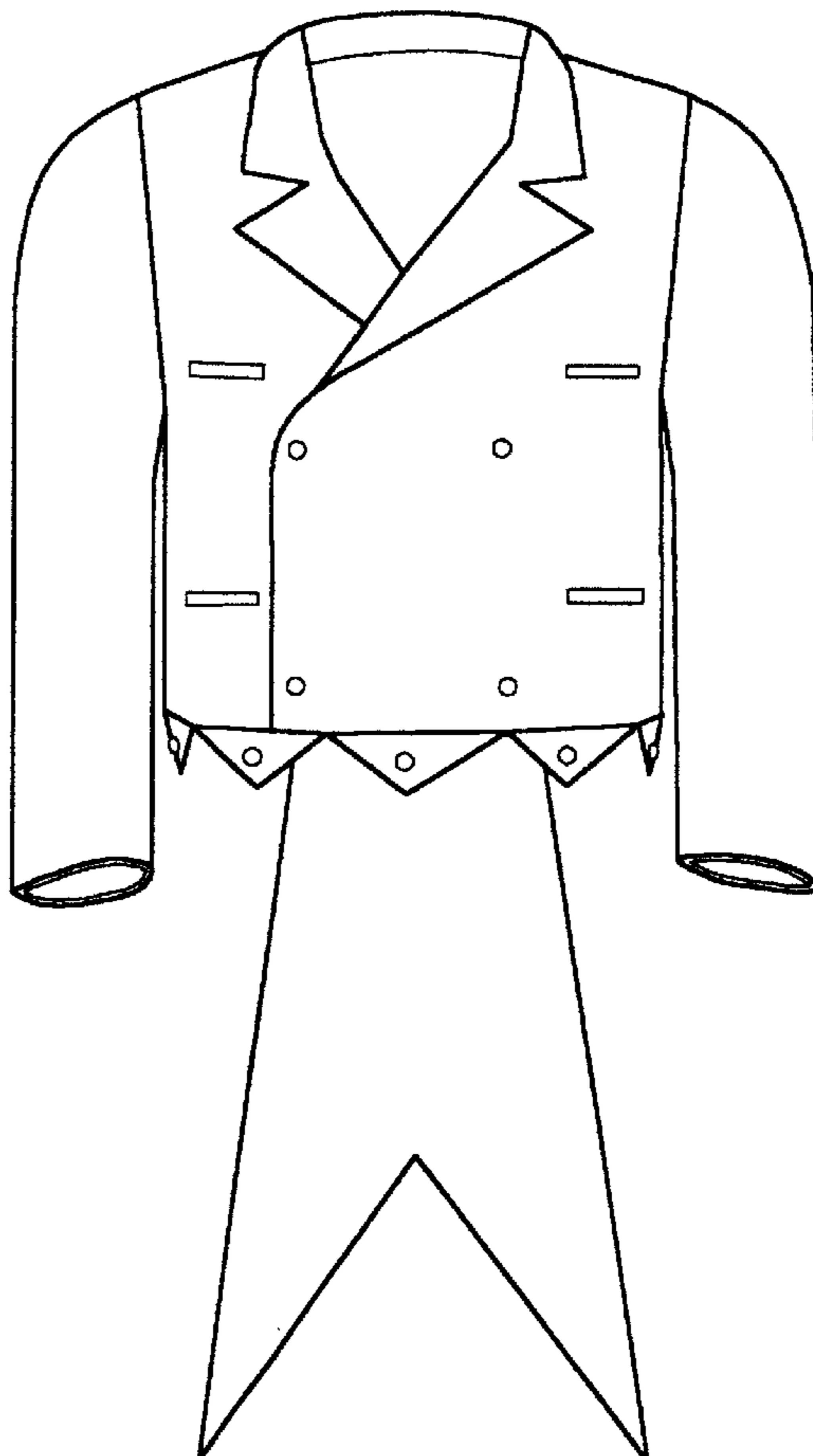
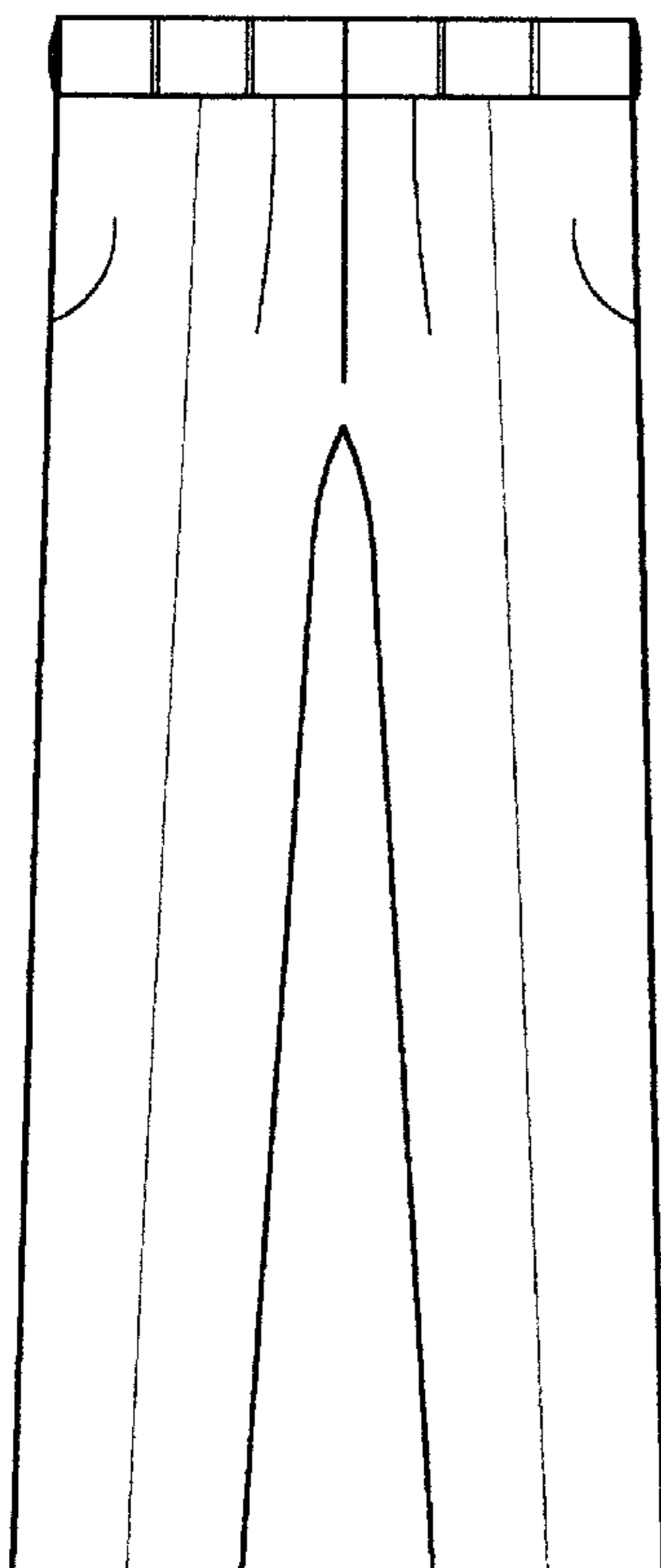
(57) **CLAIM**

The ornamental design for a tuxedo, as shown and described.

DESCRIPTION

FIG. 1 is an exploded front elevational view of the tuxedo of the present invention;
 FIG. 2 is an exploded rear elevational view of the tuxedo of FIG. 1;
 FIG. 3 is an exploded right side elevational view of the tuxedo of FIG. 1;
 FIG. 4 is an exploded left side elevational view of the tuxedo of FIG. 1;
 FIG. 5 is an exploded top plan view of the tuxedo of FIG. 1; and,
 FIG. 6 is an exploded bottom plan view of the tuxedo of FIG. 1.

1 Claim, 6 Drawing Sheets



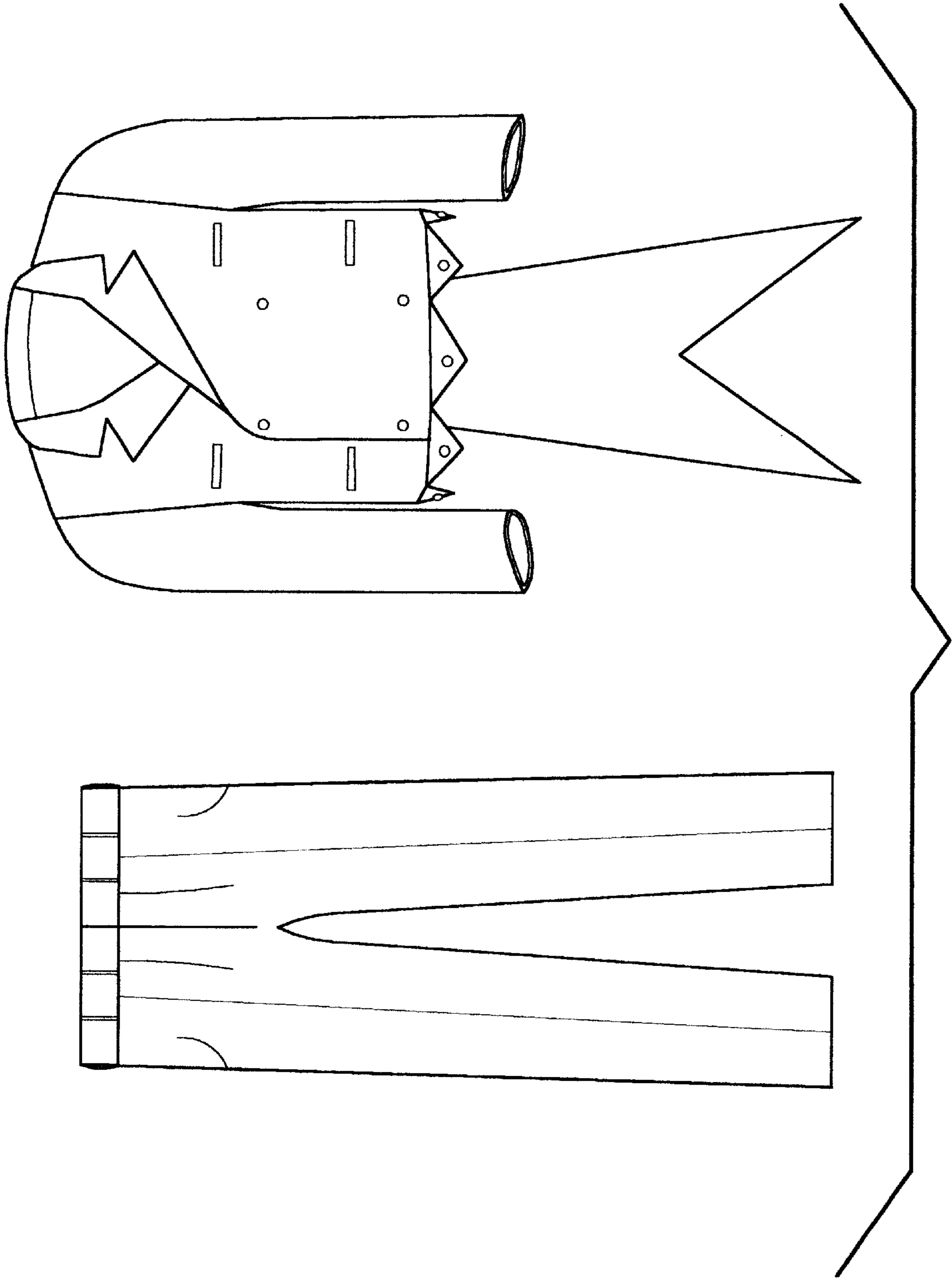


FIG. 1

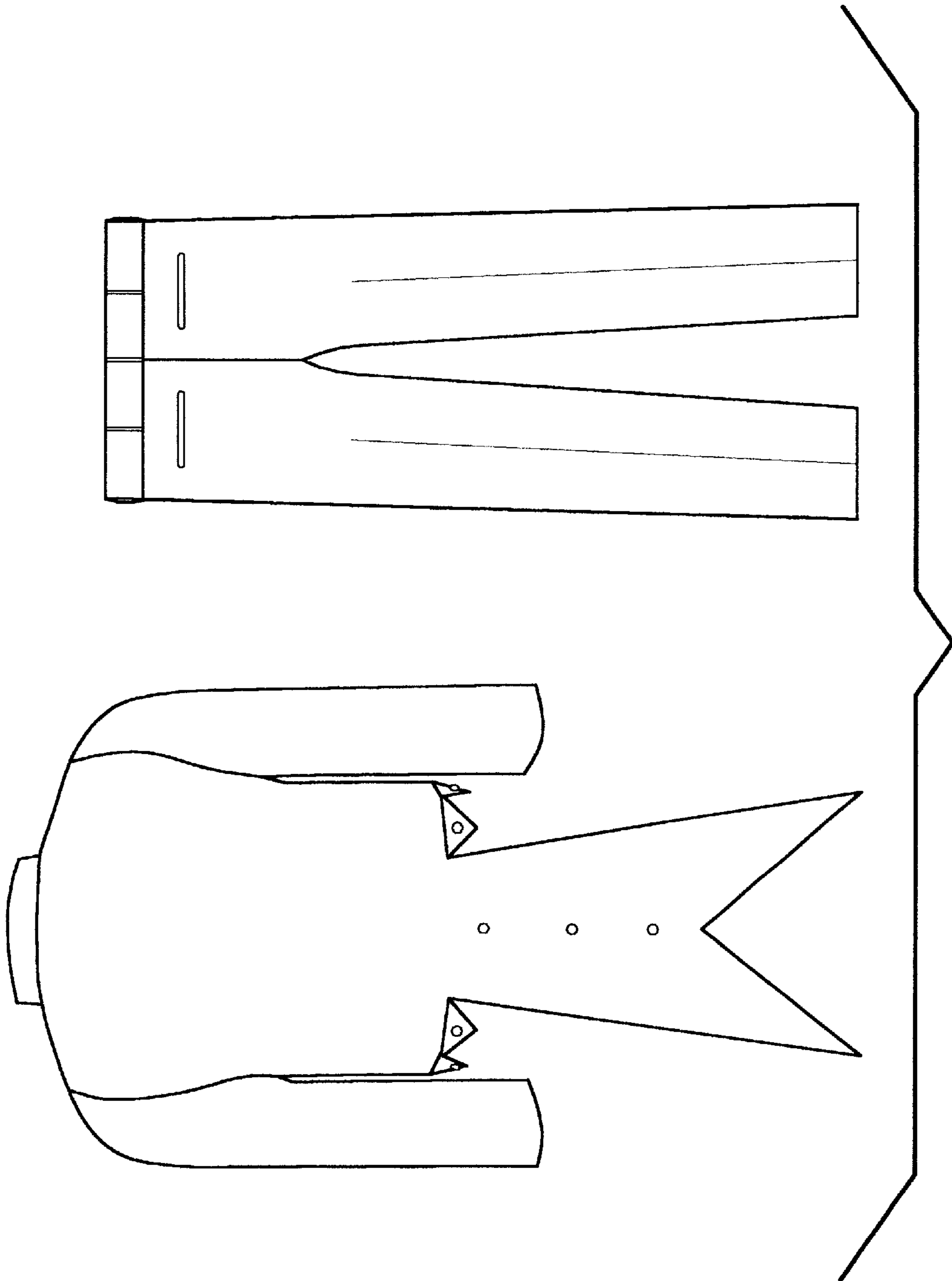


FIG. 2

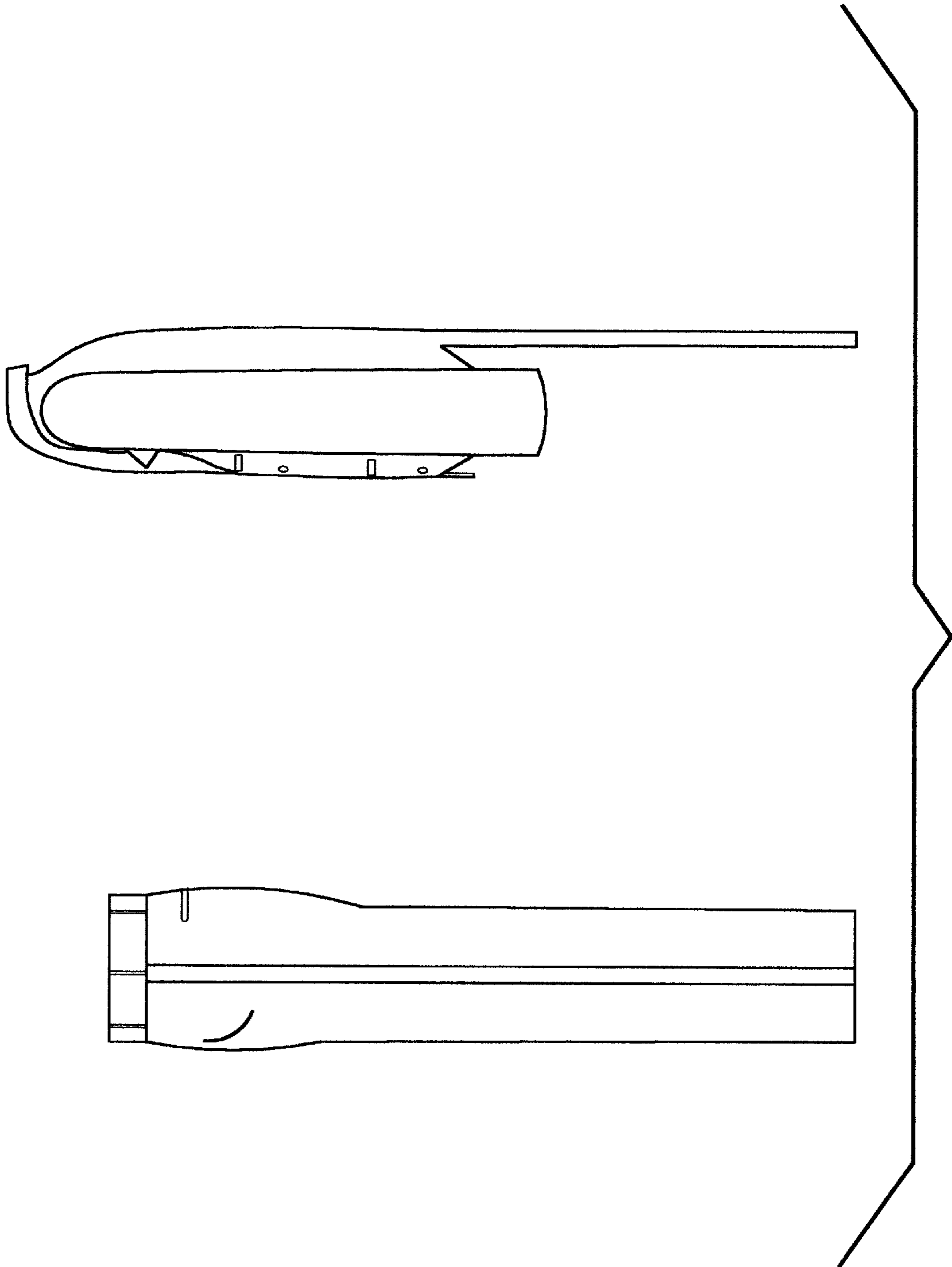
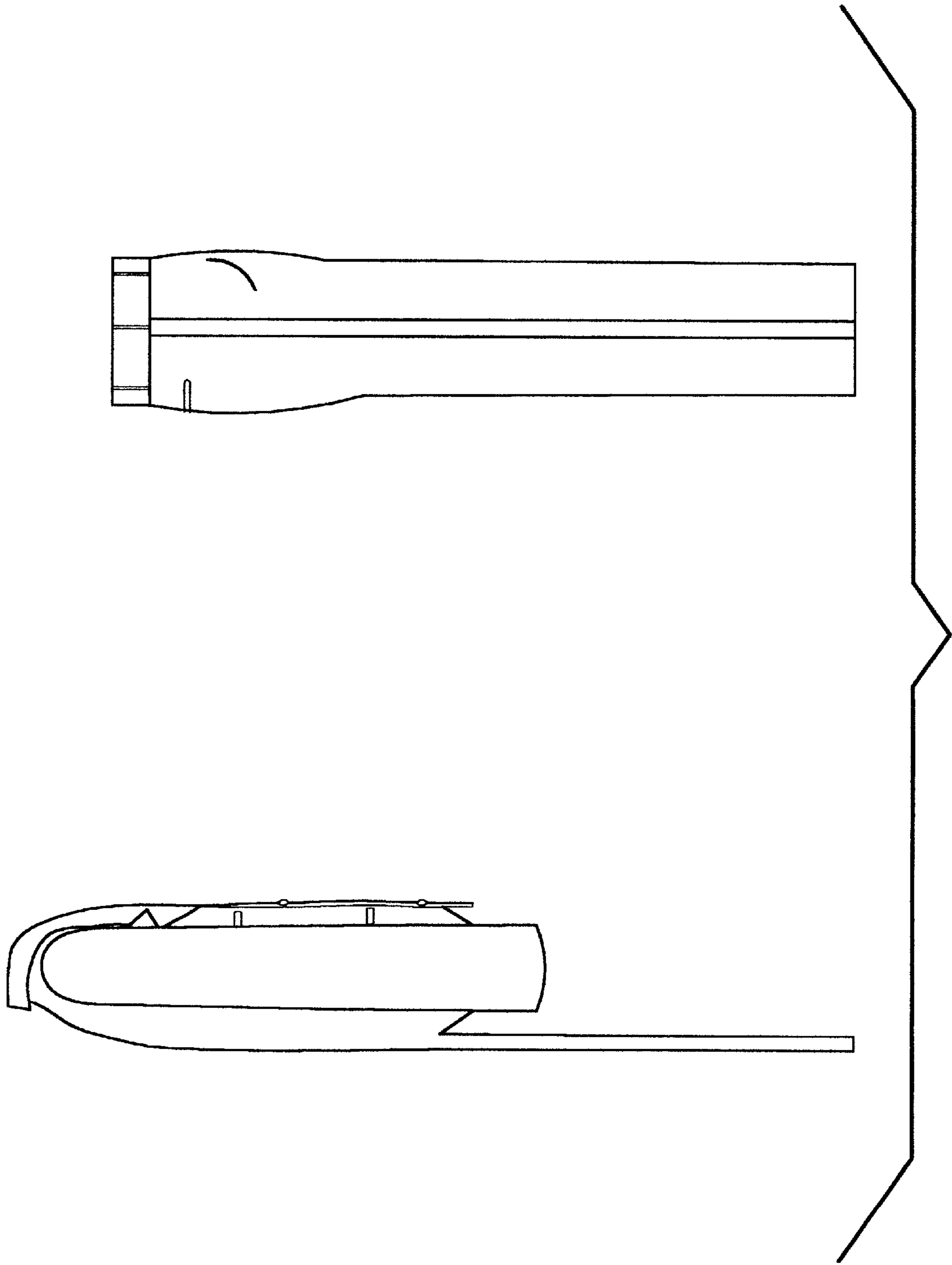


FIG. 3



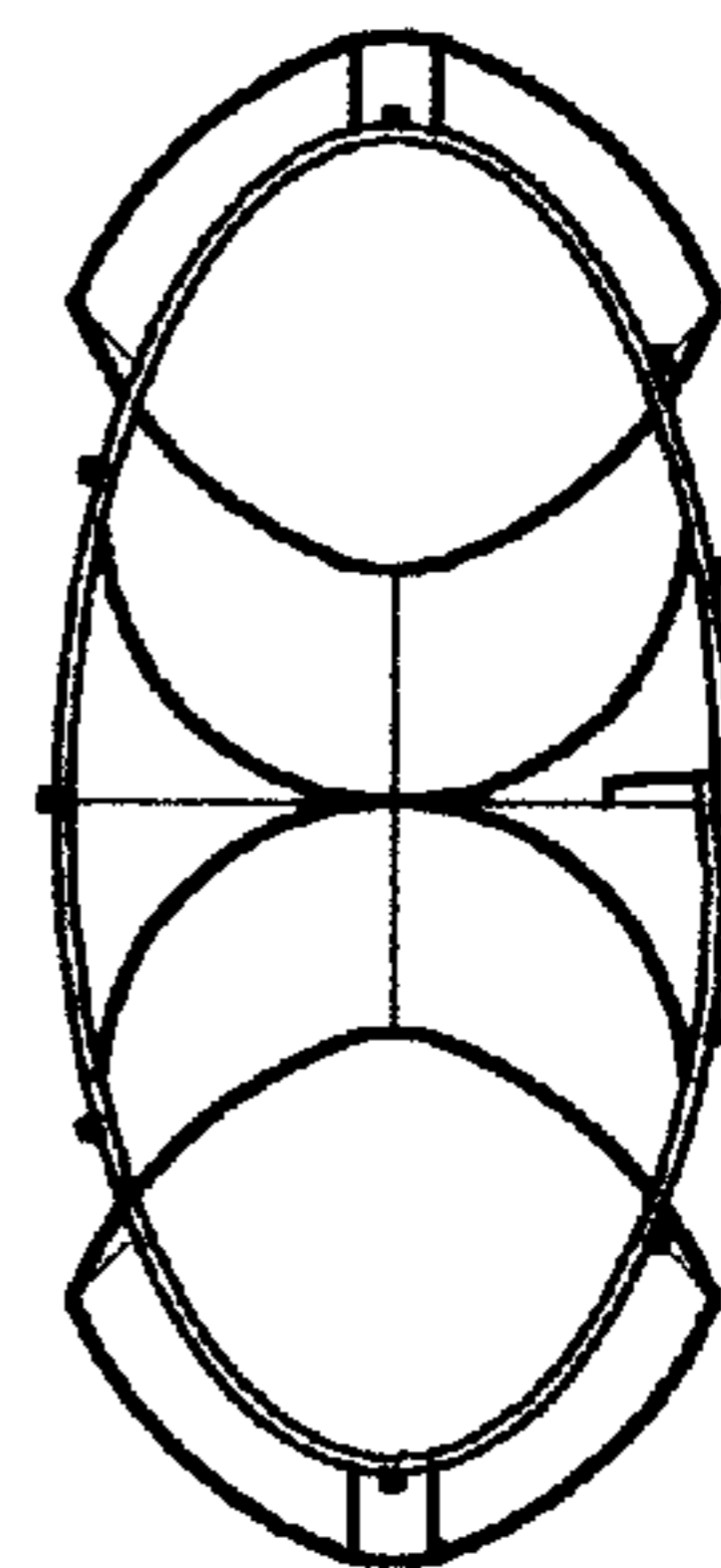
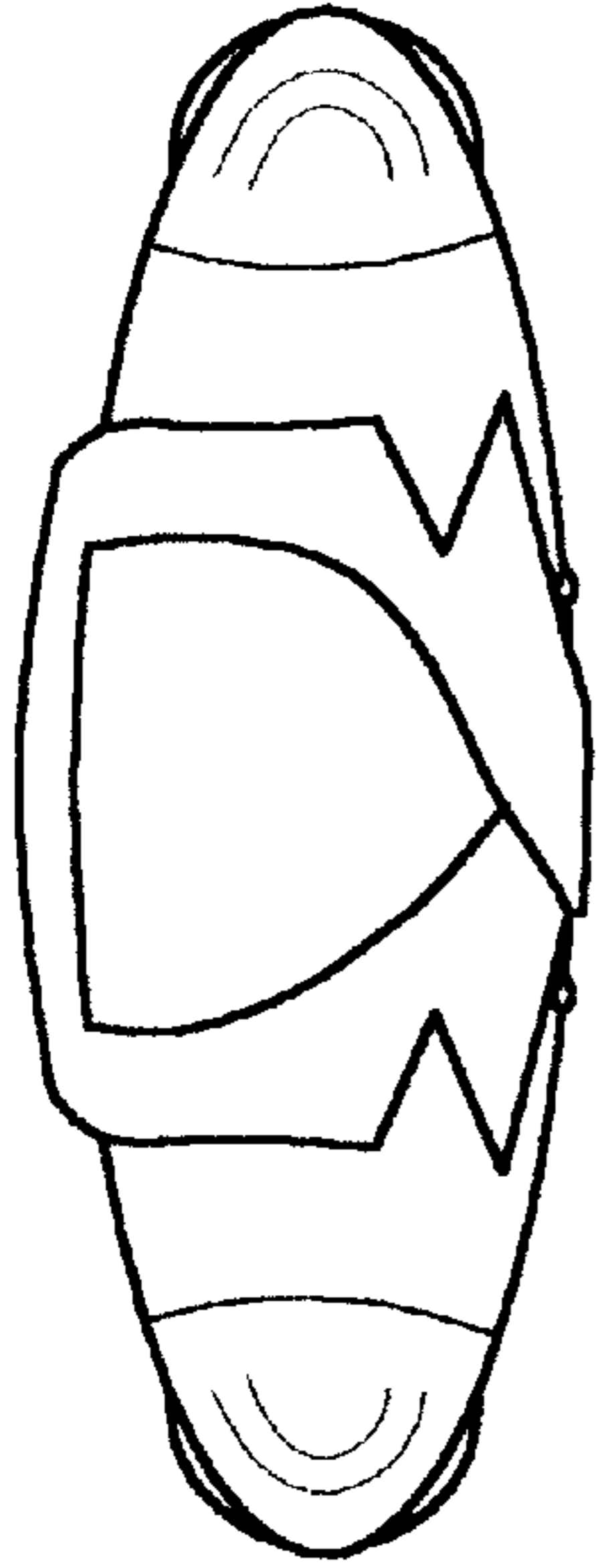


FIG. 5

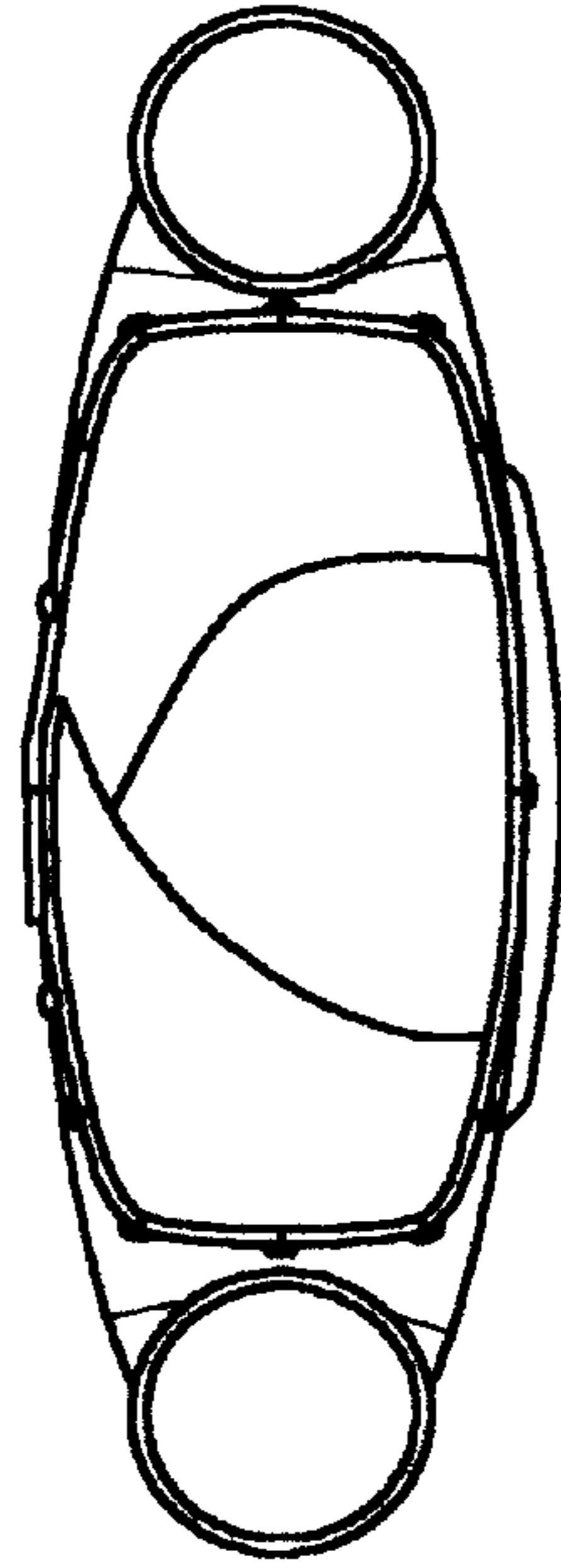
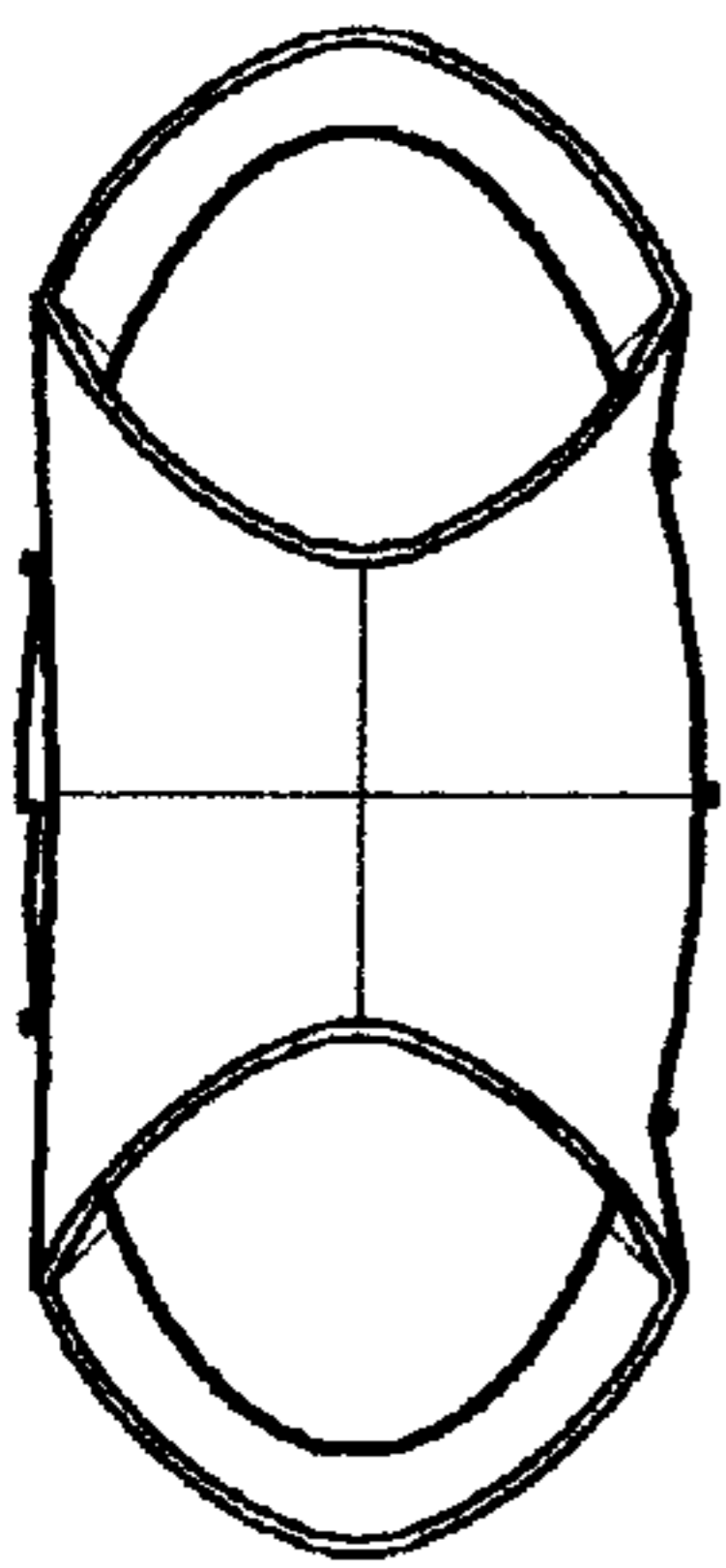


FIG. 6