



US00D468511S

(12) **United States Design Patent**
Liu

(10) **Patent No.:** **US D468,511 S**

(45) **Date of Patent:** **** Jan. 7, 2003**

(54) **GOLF CART**

D454,996 S * 3/2002 Liao D34/15

(76) Inventor: **Chong-Yong Liu**, 58, Ma Yuan West St., Taichung (TW)

* cited by examiner

Primary Examiner—Kay H. Chin

(**) Term: **14 Years**

(57) **CLAIM**

(21) Appl. No.: **29/161,809**

The ornamental design for a golf cart, as shown and described.

(22) Filed: **May 30, 2002**

DESCRIPTION

(51) **LOC (7) Cl.** **12-02**

(52) **U.S. Cl.** **D34/15**

(58) **Field of Search** D34/12-27; 280/DIG. 5, 280/DIG. 6, 641, 646, 651, 47.17, 47.26, 47.371; 180/19.3, 19.1, 65.6

FIG. 1 is a perspective view of a golf cart showing my design;

FIG. 2 is a front elevational view thereof;

FIG. 3 is a rear elevational view thereof;

FIG. 4 is a left side elevational view thereof;

FIG. 5 is a right side elevational view thereof;

FIG. 6 is a top plan view thereof;

FIG. 7 is a bottom plan view thereof;

FIG. 8 is a perspective view thereof in a folded condition; and,

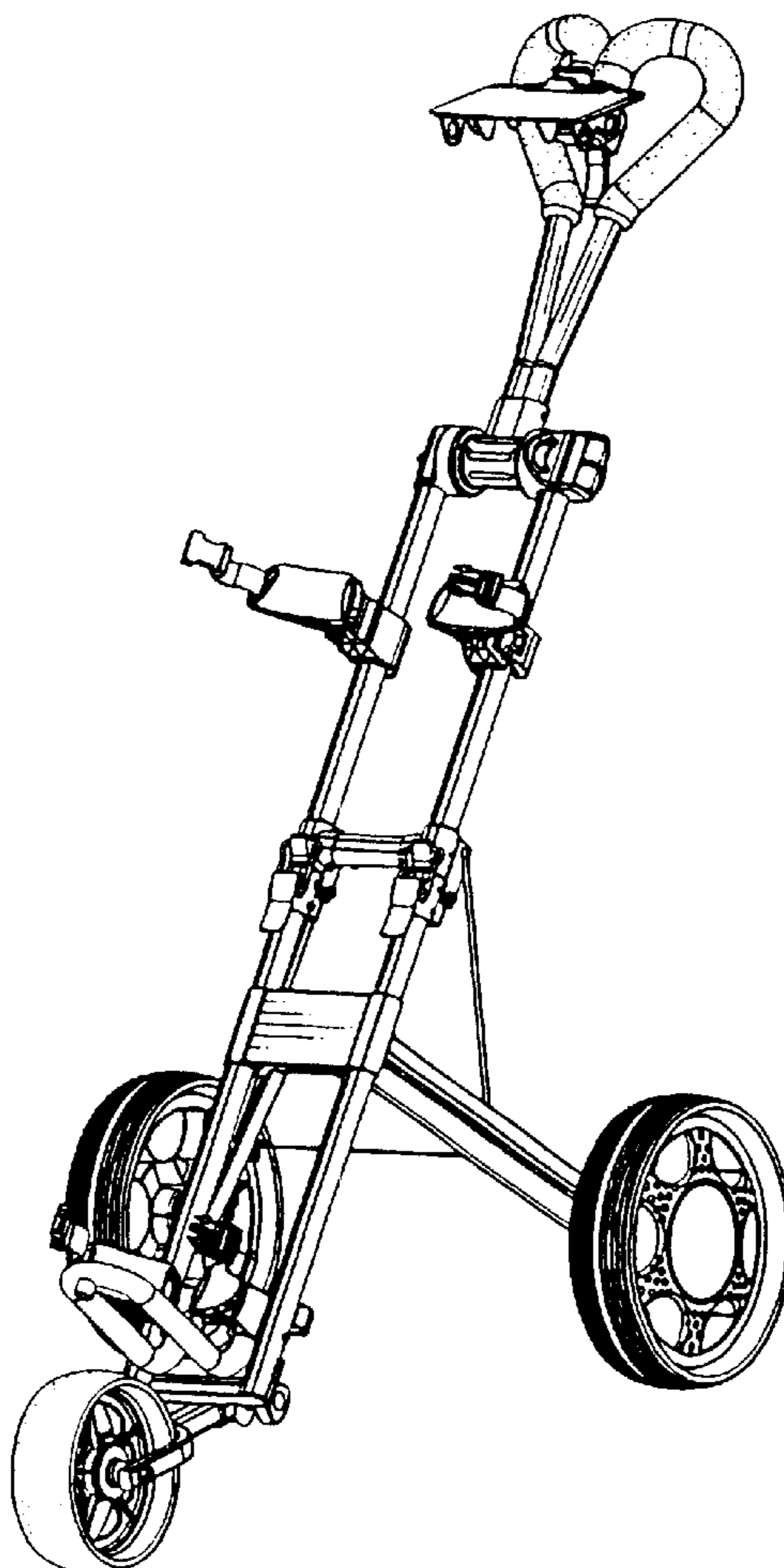
FIG. 9 is a perspective view of the golf cart handle, the remaining portion of the golf cart being omitted for convenience of illustration.

(56) **References Cited**

U.S. PATENT DOCUMENTS

D436,707 S	*	1/2001	Liao	D34/15
D437,097 S	*	1/2001	Liao	D34/15
D437,985 S	*	2/2001	Wu	D34/15
D448,906 S	*	10/2001	Wu	D34/15
D450,167 S	*	11/2001	Liao	D34/15
D450,902 S	*	11/2001	Liao	D34/15
D454,417 S	*	3/2002	Wu	D34/15

1 Claim, 9 Drawing Sheets



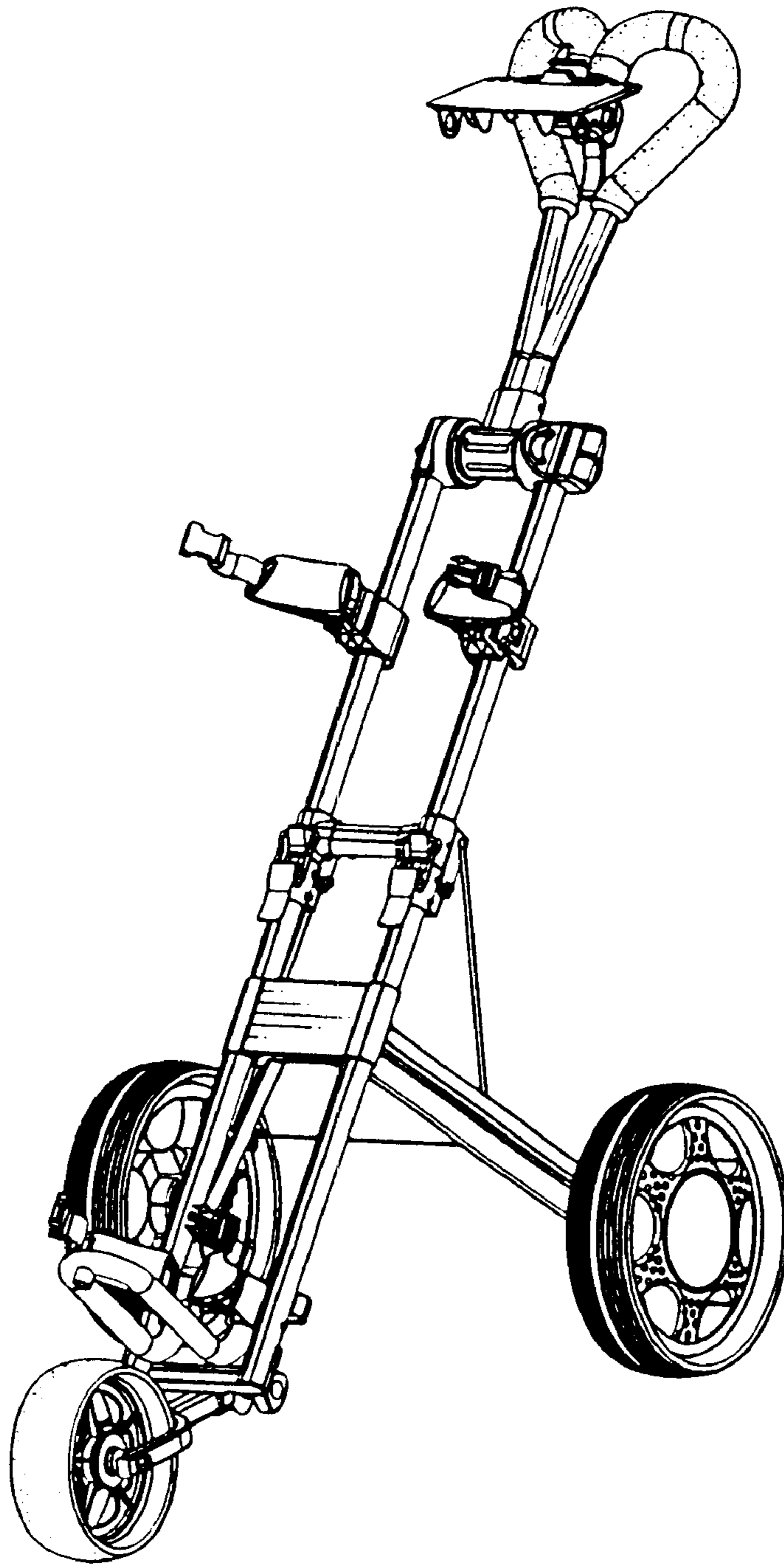


FIG. 1

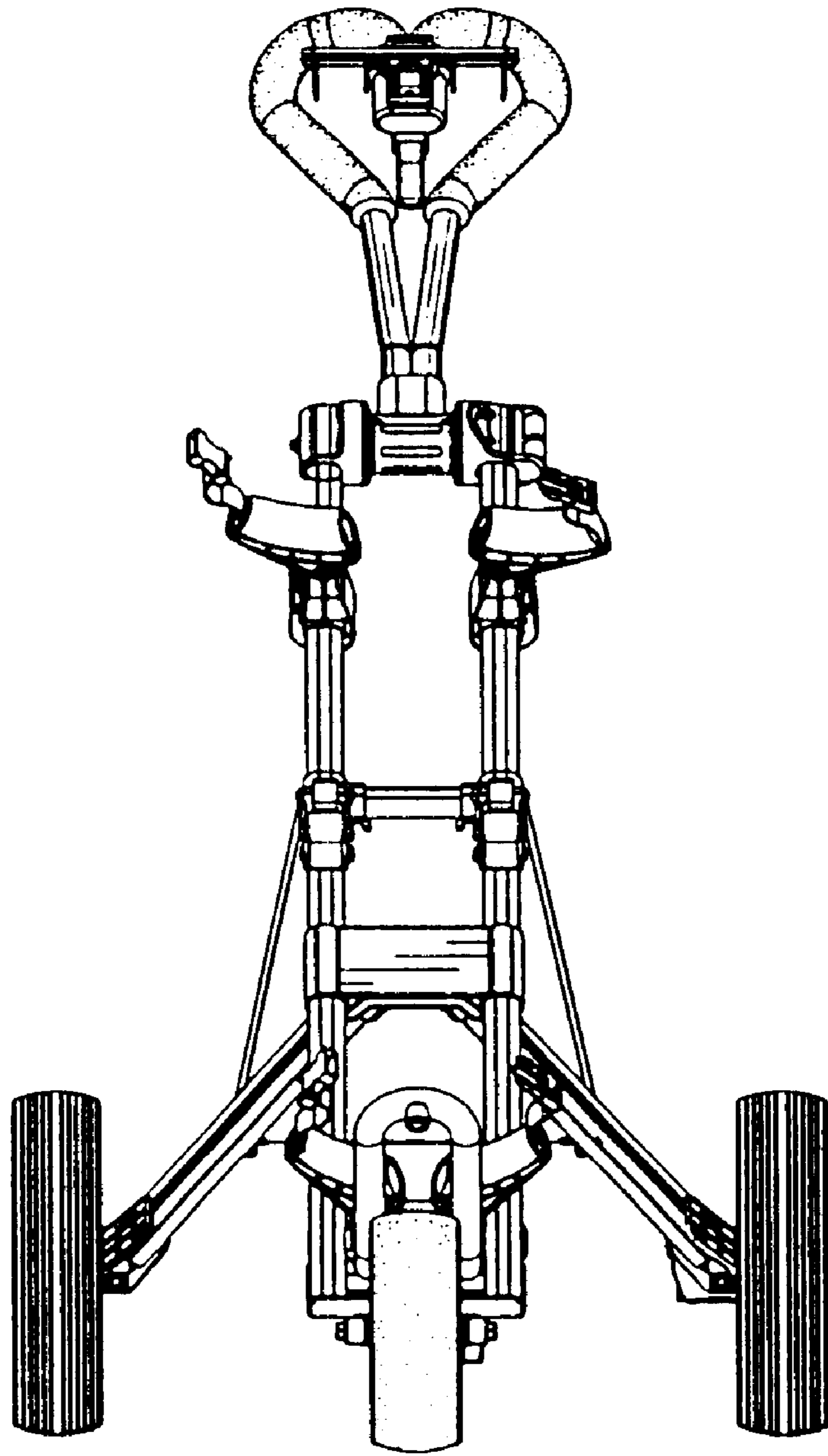


FIG.2

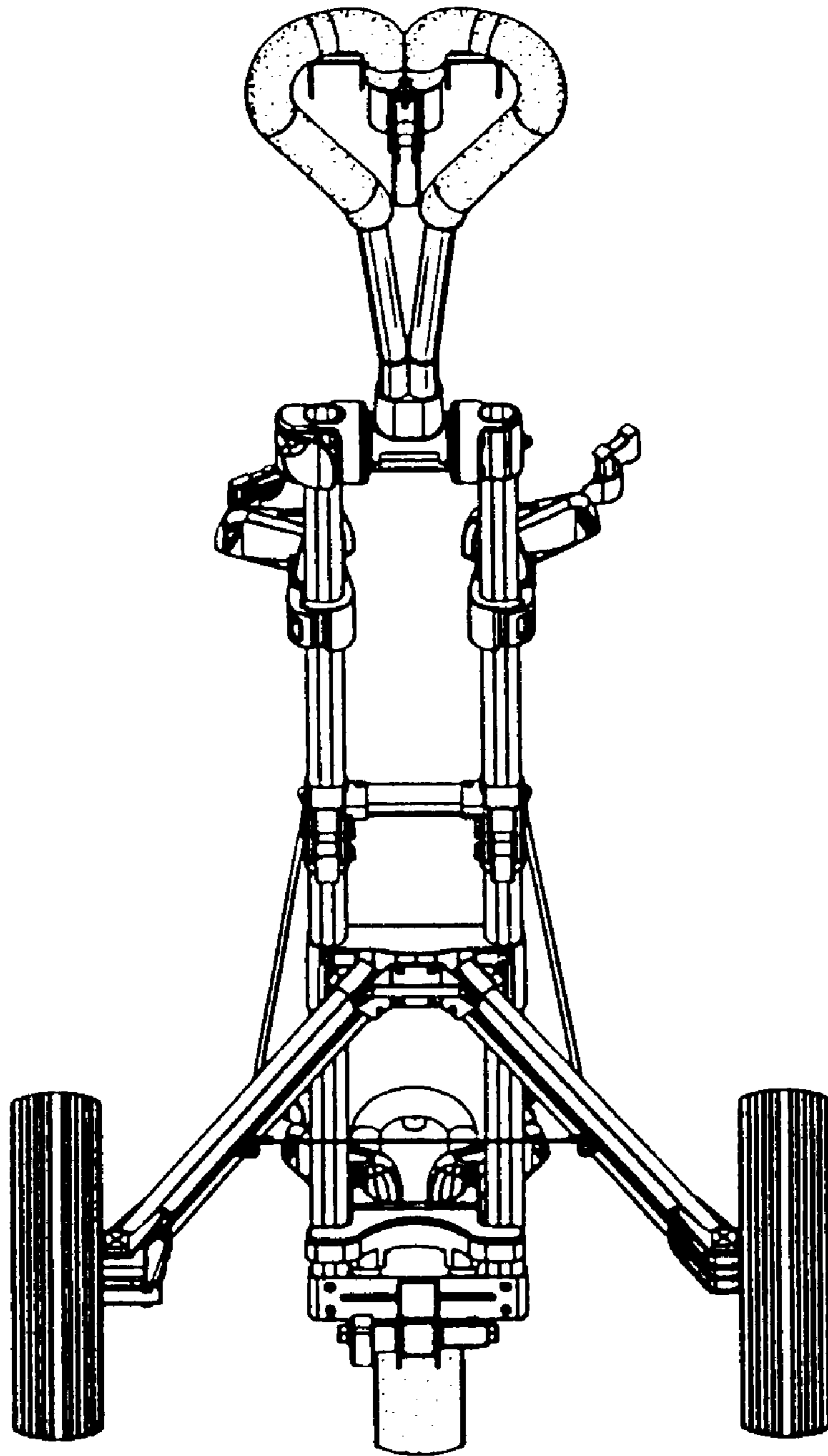


FIG. 3

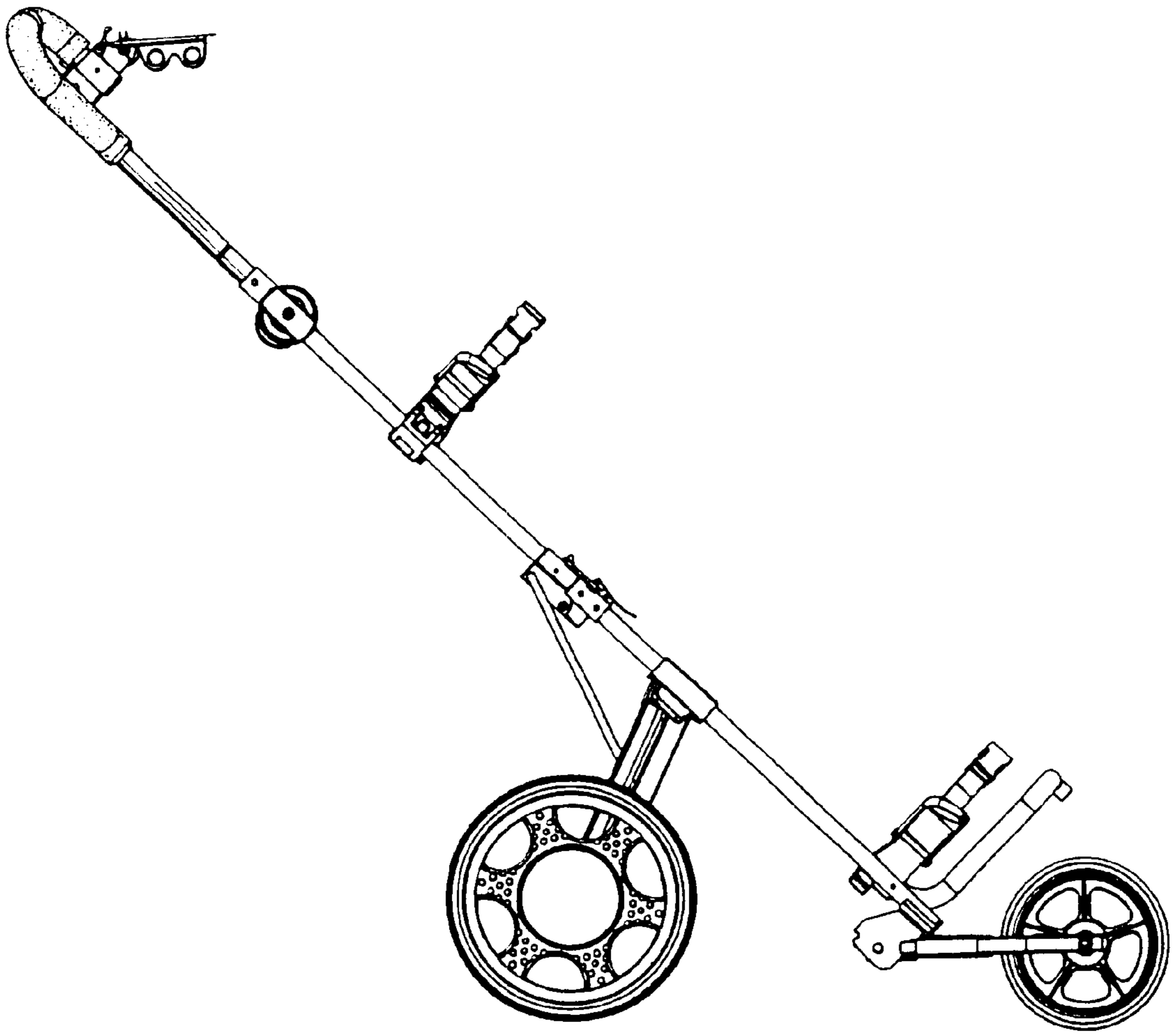


FIG.4

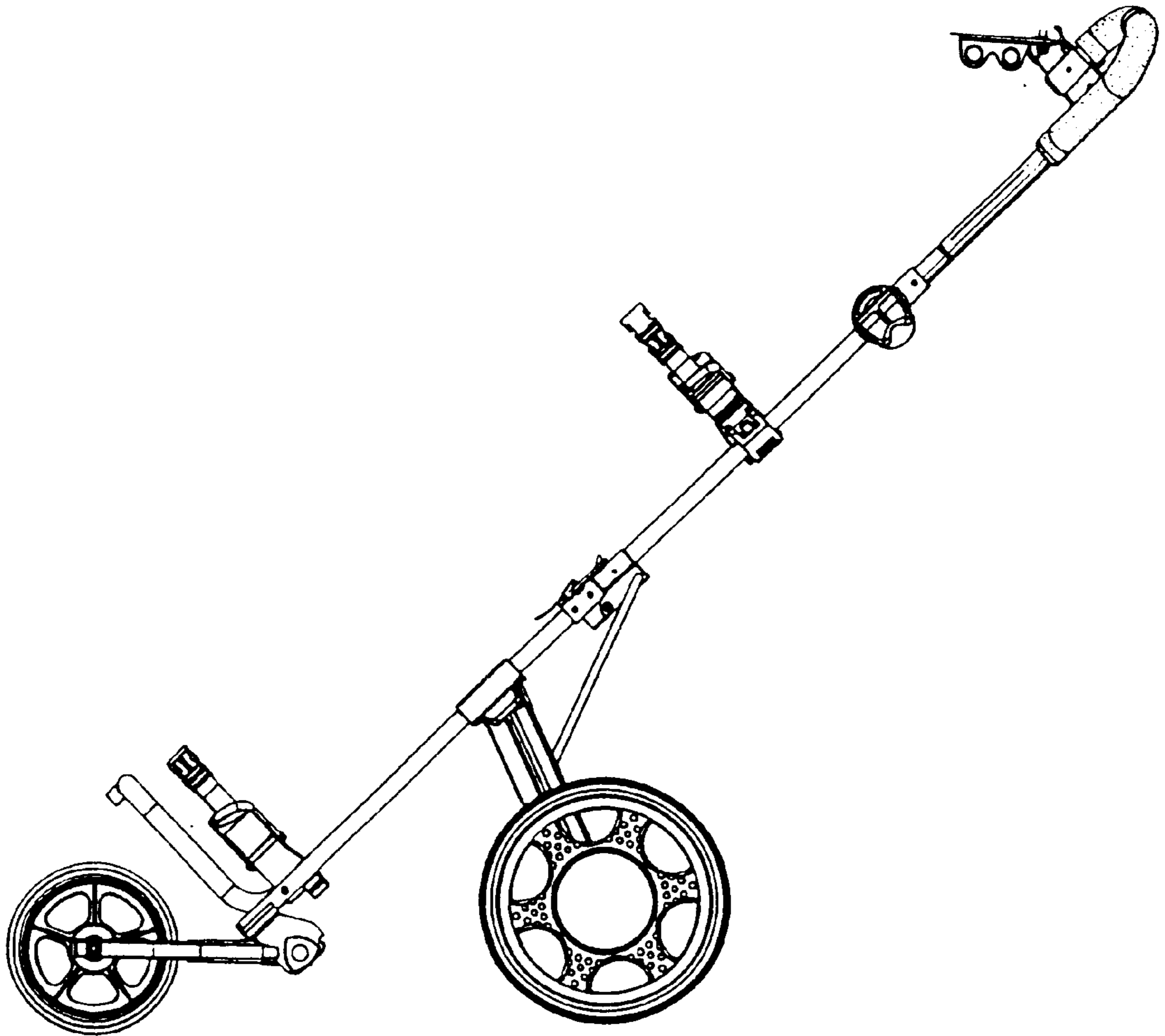


FIG.5

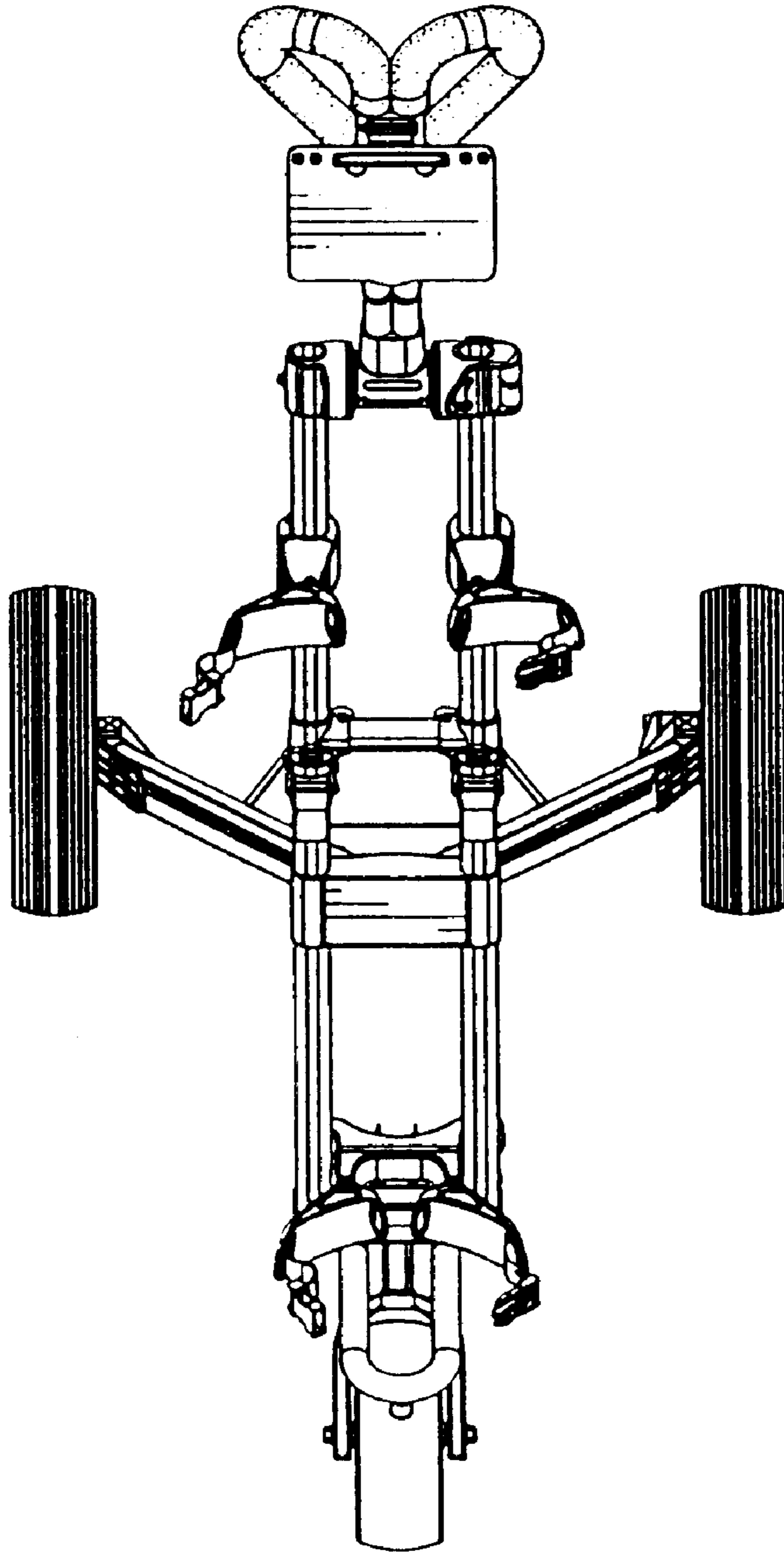


FIG.6

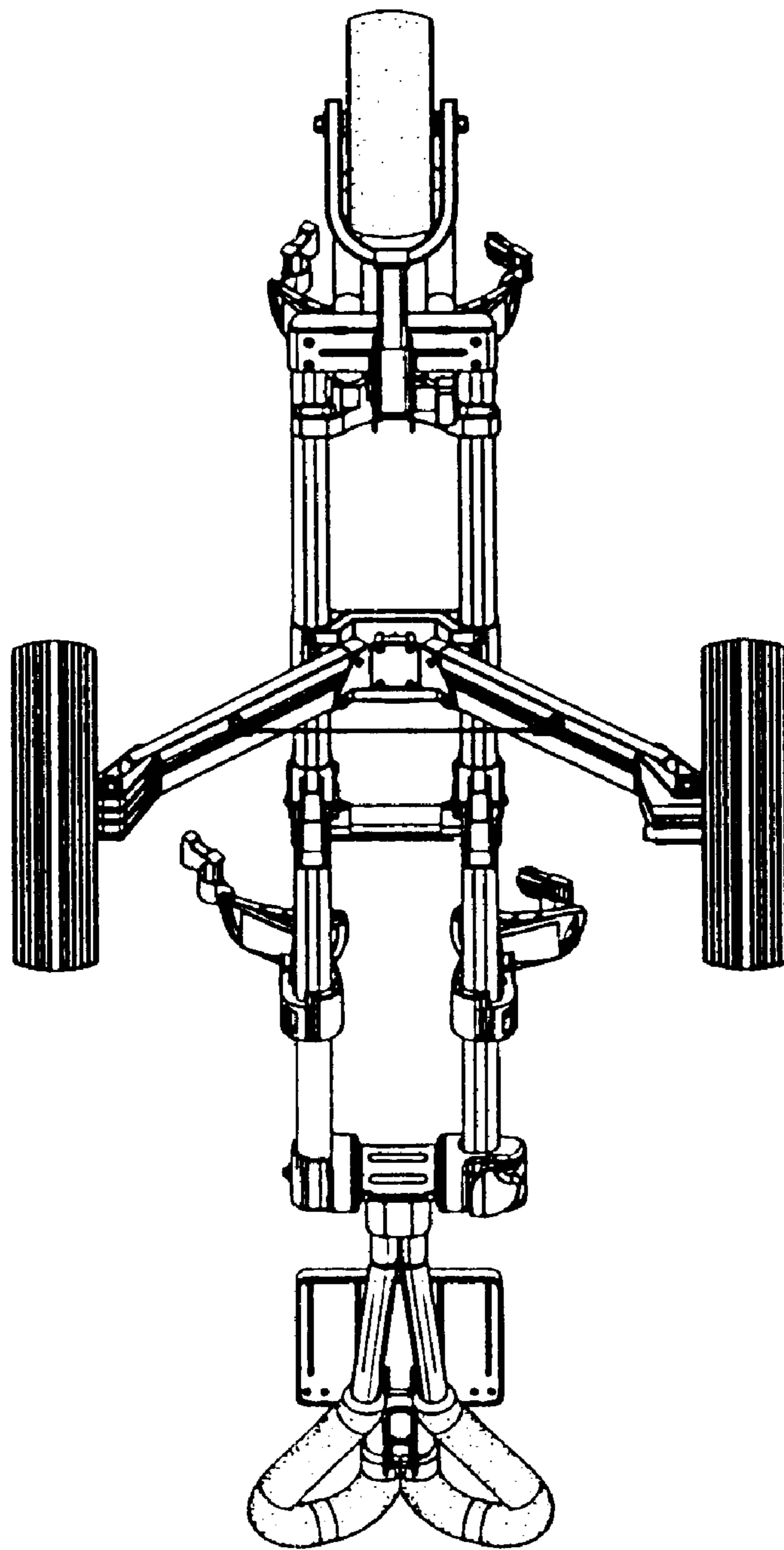


FIG. 7

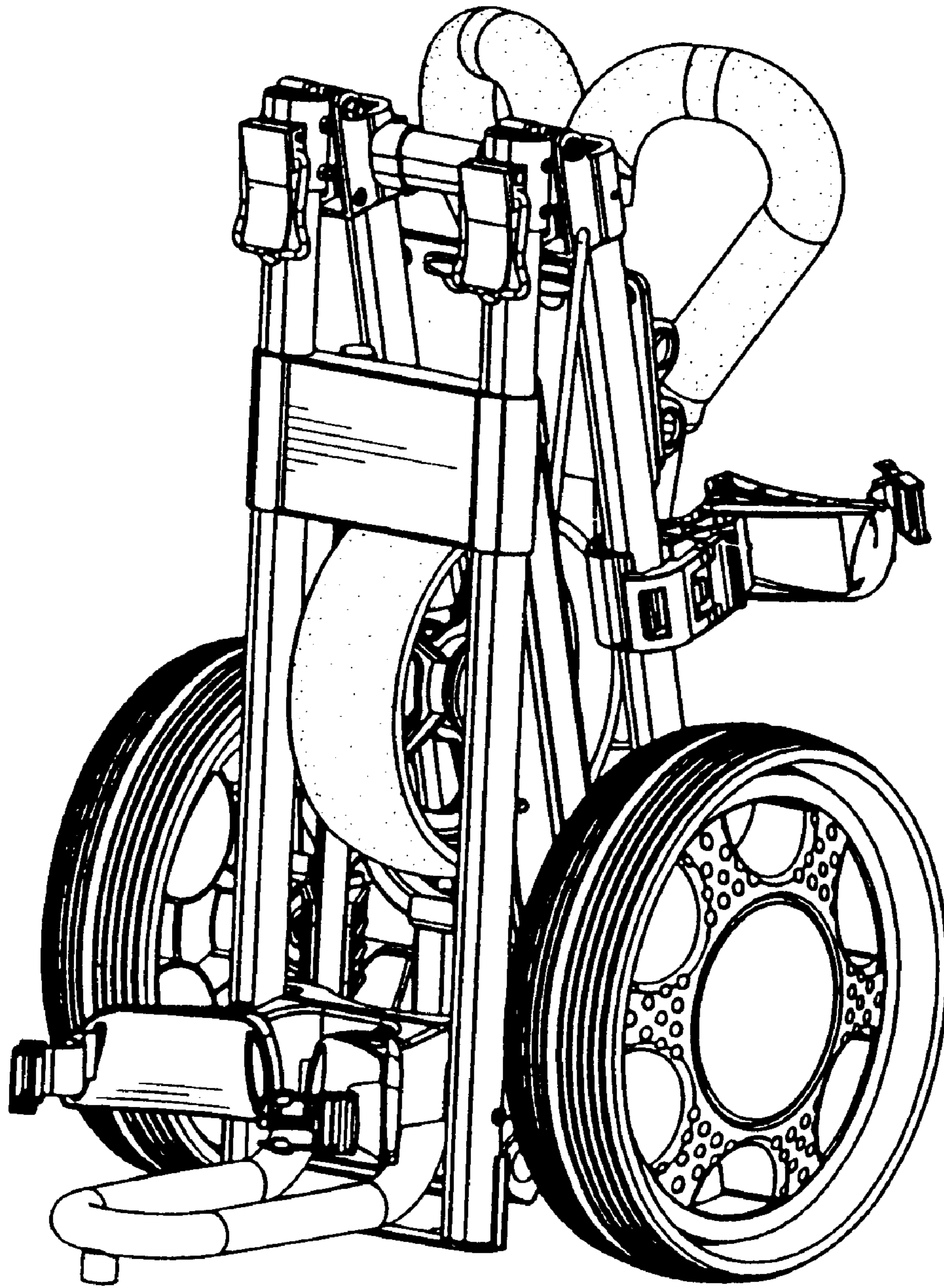


FIG. 8

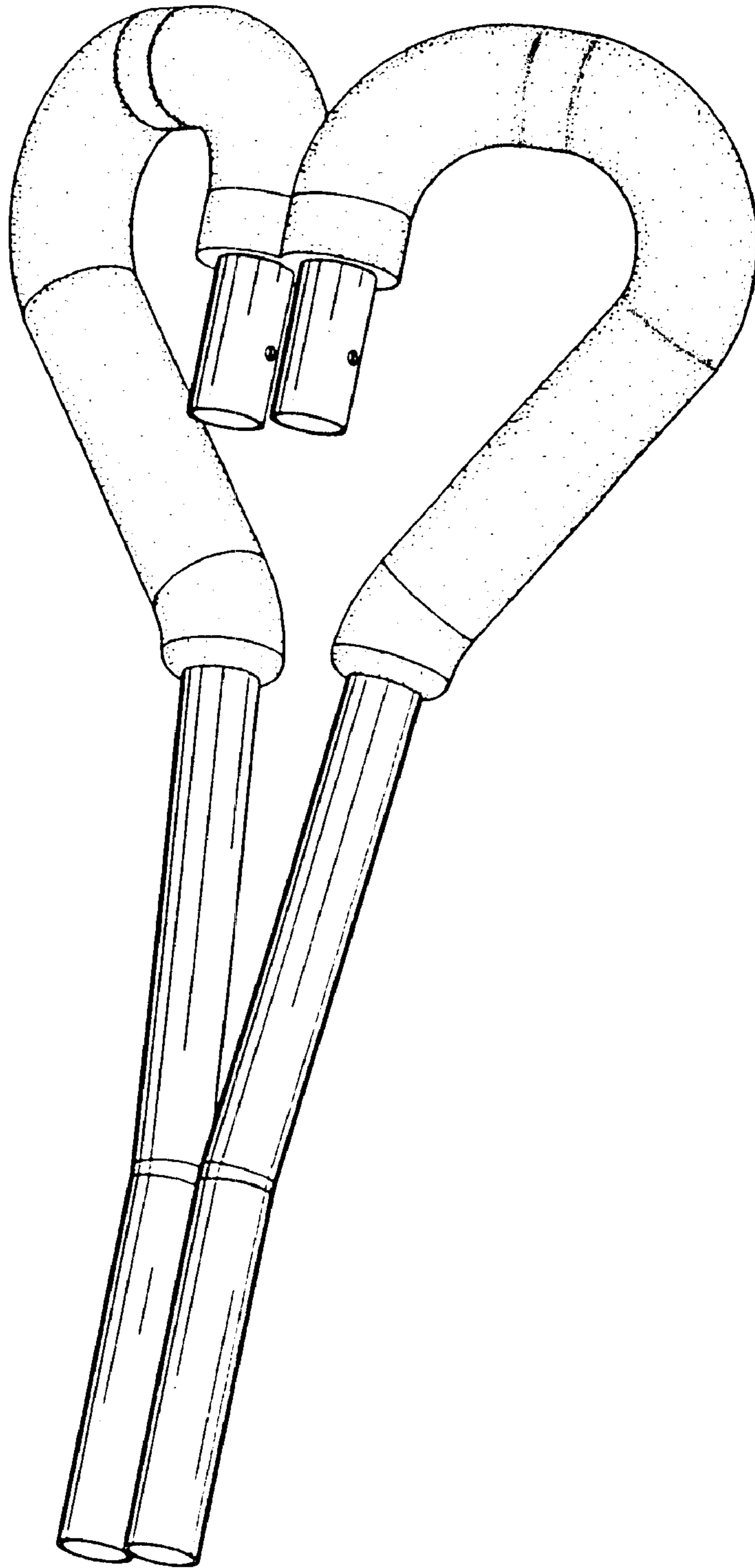


FIG.9