



US00D468509S

(12) **United States Design Patent**
Figueroa

(10) **Patent No.:** **US D468,509 S**

(45) **Date of Patent:** **** Jan. 7, 2003**

(54) **WHEELED CART**

D428,230 S * 7/2000 Woodbridge D34/23

(76) Inventor: **Michael A. Figueroa**, 64 Ashland St.,
New Rochelle, NY (US) 10801

* cited by examiner

(**) Term: **14 Years**

Primary Examiner—Kay H. Chin

(74) *Attorney, Agent, or Firm*—Abelman, Frayne &
Schwab

(21) Appl. No.: **29/144,841**

(57) **CLAIM**

(22) Filed: **Jul. 11, 2001**

The ornamental design for a wheeled cart, as shown and
described.

(51) **LOC (7) Cl.** **12-02**

(52) **U.S. Cl.** **D34/12; D34/23**

(58) **Field of Search** D34/12-27; 280/47.35,
280/79.11, 79.3; 248/188.5, 188.7, 158,
354.5, 413; D6/474, 460, 461

DESCRIPTION

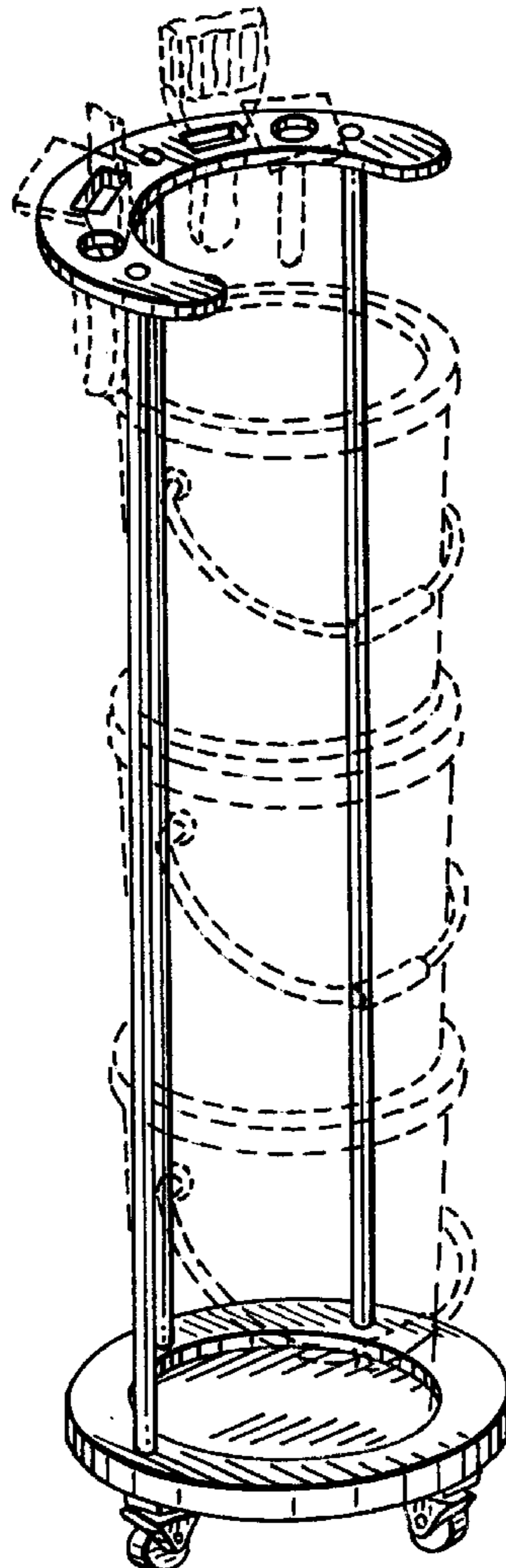
(56) **References Cited**

FIG. 1 is a top, front perspective view of a wheeled cart
showing my new design, the broken lines are for illustrative
purposes only and form no part of the claimed design;
FIG. 2 is a top plan view thereof;
FIG. 3 is a front elevational view thereof;
FIG. 4 is a right side elevational view thereof, the left side
being a mirror image;
FIG. 5 is a rear elevational view thereof; and,
FIG. 6 is a bottom view thereof.

U.S. PATENT DOCUMENTS

D99,559 S	*	5/1936	Dean	D34/23
D216,450 S	*	1/1970	Chiarello	D34/23
5,390,944 A	*	2/1995	Sherwin	280/47.35
D361,420 S	*	8/1995	Riek	D34/21
5,472,220 A	*	12/1995	Stephan	280/79.5

1 Claim, 3 Drawing Sheets



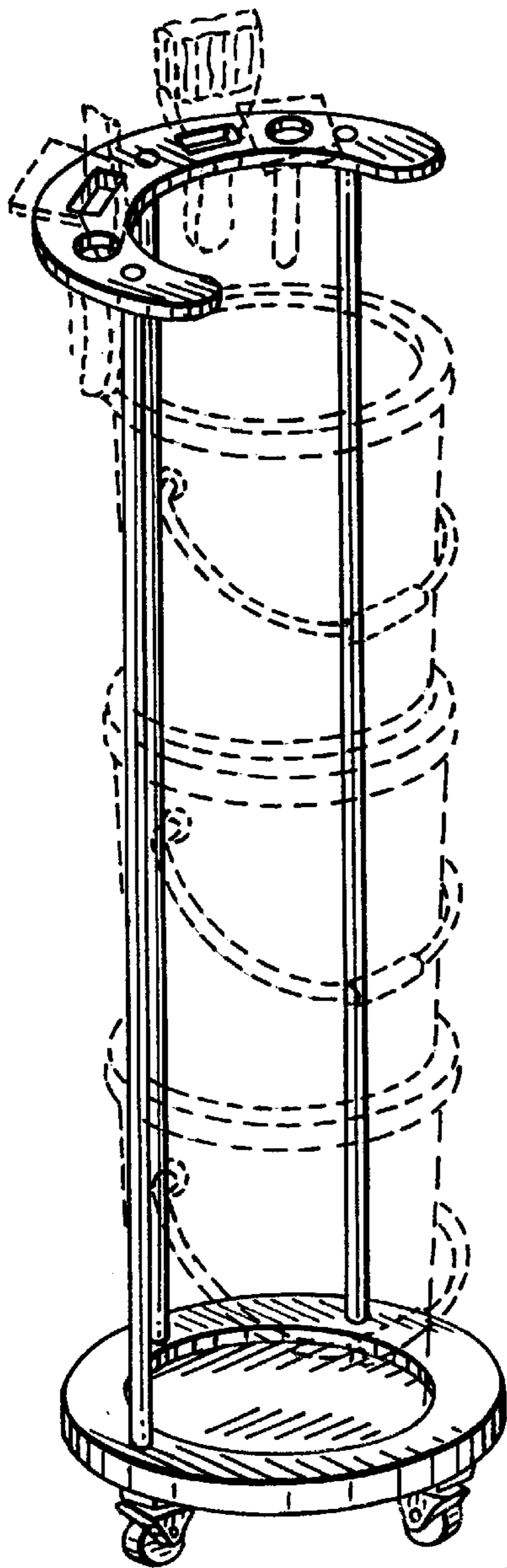


FIG. 1

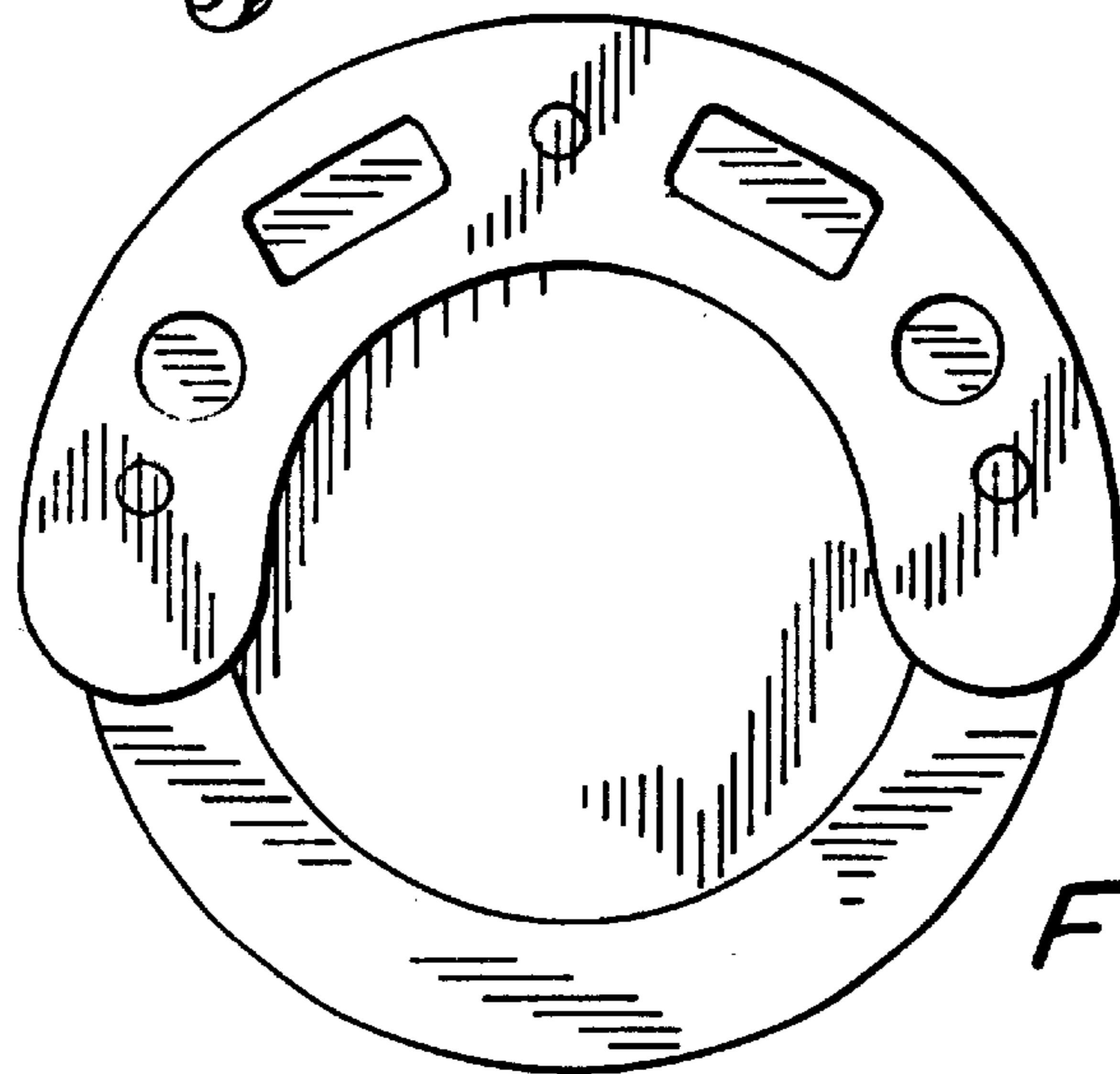


FIG. 2

FIG. 3

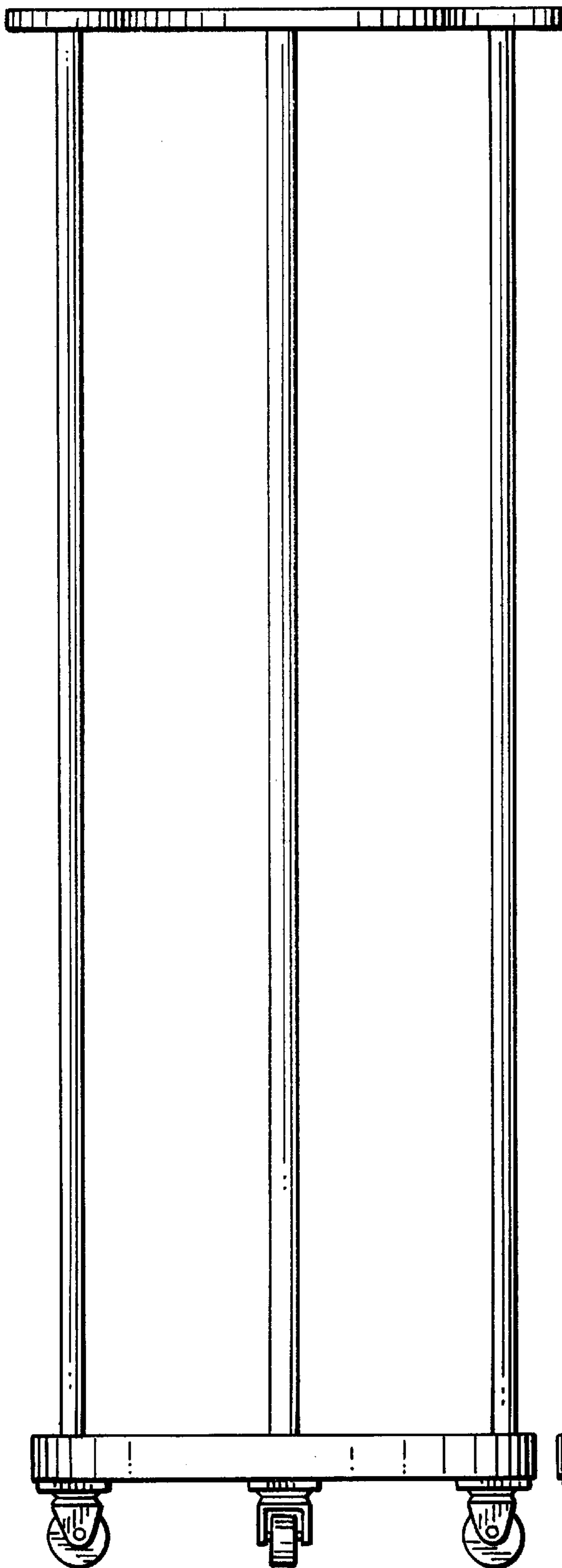


FIG. 4

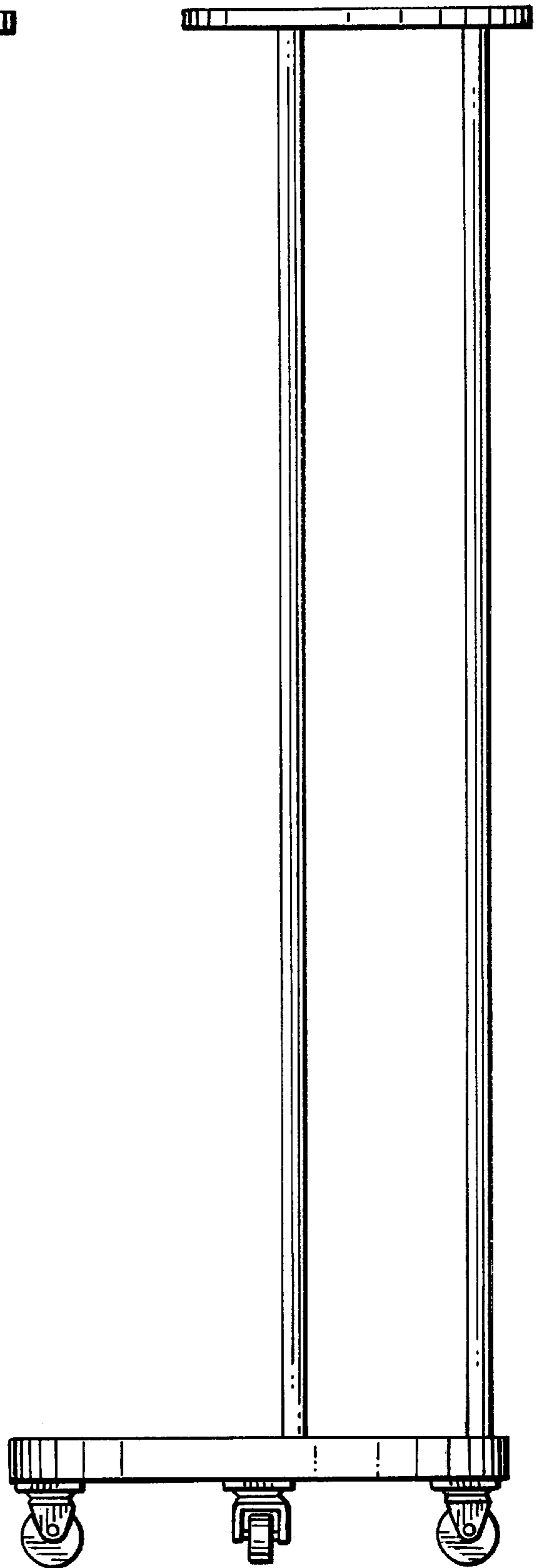


FIG. 5

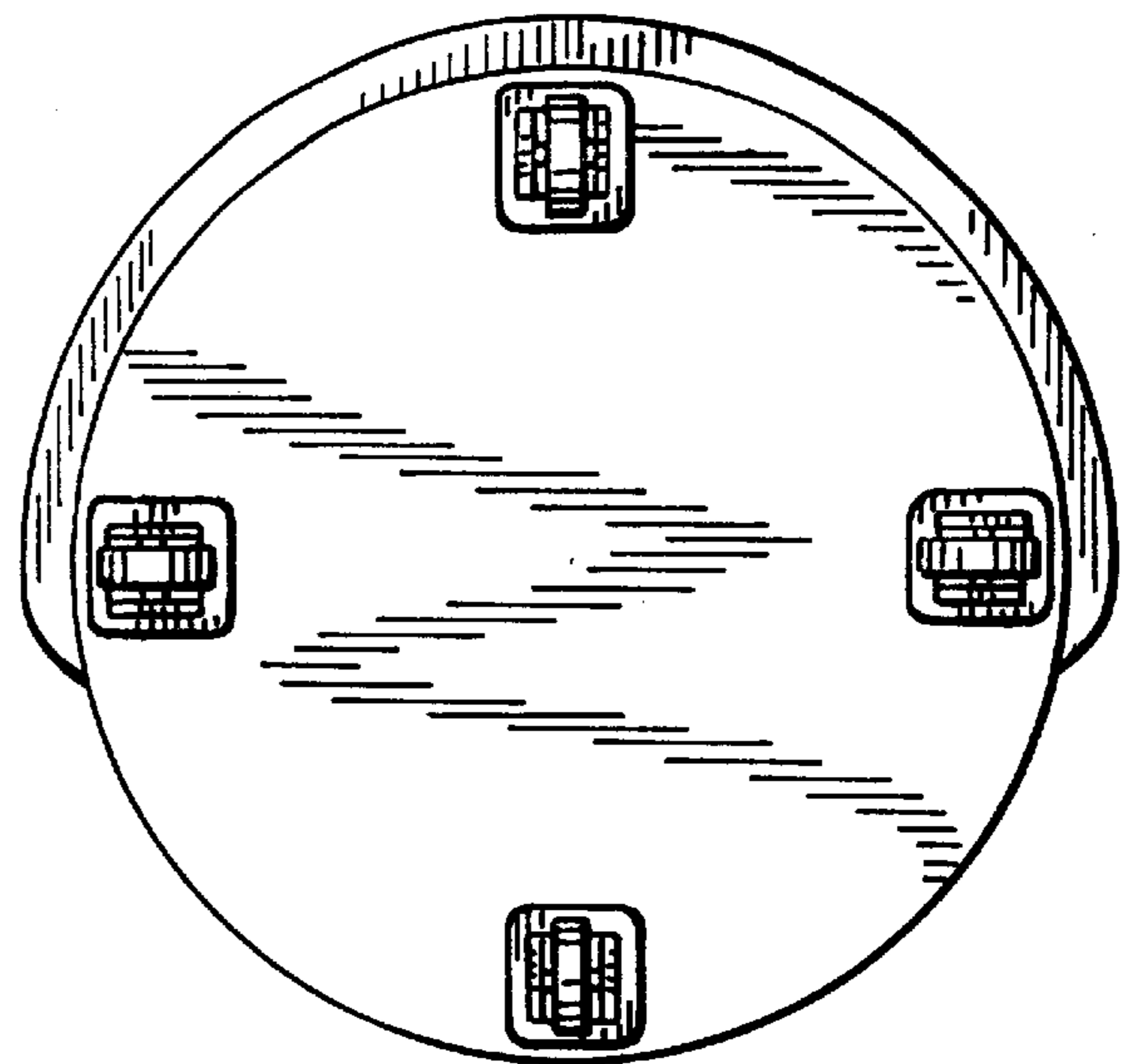
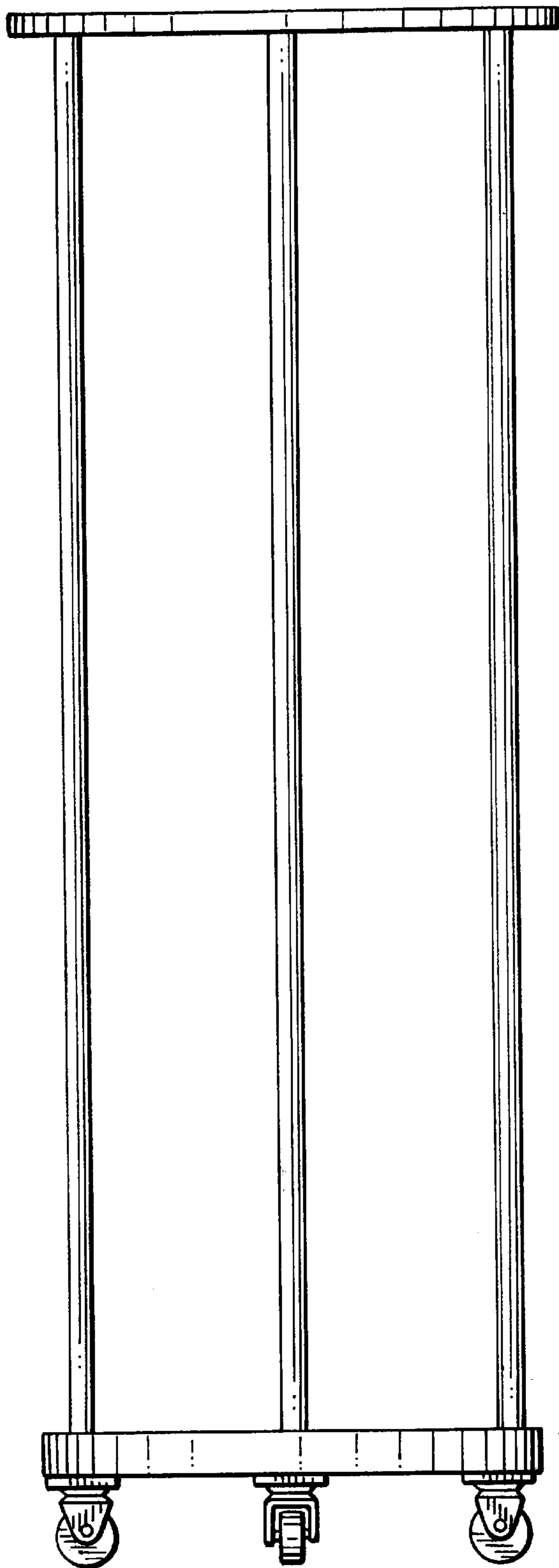


FIG. 6