



US00D468506S

(12) **United States Design Patent**  
**Mitchell**

(10) **Patent No.:** **US D468,506 S**

(45) **Date of Patent:** **\*\* Jan. 7, 2003**

(54) **RACK FOR SUSPENDING MULTIPLE COMPOST BAGS**

(76) **Inventor:** **Susan L. M. Mitchell**, R.R. 2, P.O. Box 37, Centreville, Nova Scotia (CA), BOP-1J0

(\*\*) **Term:** **14 Years**

(21) **Appl. No.:** **29/154,172**

(22) **Filed:** **Jan. 22, 2002**

(51) **LOC (7) Cl.** ..... **09-09**

(52) **U.S. Cl.** ..... **D34/6**

(58) **Field of Search** ..... D34/1, 5, 6; 248/95, 248/97, 99, 100, 907, 175; 200/404

4,702,445 A	*	10/1987	Ivory	.....	248/100
D300,804 S		4/1989	Myers		
4,946,118 A	*	8/1990	Hastings	.....	248/97
4,948,075 A	*	8/1990	Allen	.....	248/97
D314,462 S	*	2/1991	Durant	.....	D34/6
D317,104 S	*	5/1991	Lyon	.....	D34/6
D318,352 S	*	7/1991	Allen	.....	D34/5
5,033,703 A	*	7/1991	Allen, Sr.	.....	248/97
5,058,939 A	*	10/1991	Stevens	.....	248/97
5,167,390 A		12/1992	Baghdadi		
D337,405 S	*	7/1993	Wolter	.....	D34/5
5,263,672 A	*	11/1993	He	.....	248/97
D345,241 S	*	3/1994	Bunn	.....	D34/5
D345,242 S	*	3/1994	Bunn	.....	D34/5
5,580,015 A	*	12/1996	Baker	.....	248/97
5,636,871 A		6/1997	Field		
D422,390 S	*	4/2000	Chipman	.....	D34/6
D422,391 S	*	4/2000	Whitlock	.....	D34/6

(56) **References Cited**

**U.S. PATENT DOCUMENTS**

D128,616 S	*	8/1941	Boren	.....	D34/6
D142,286 S		8/1945	Mayer		
2,503,531 A	*	4/1950	Welter	.....	248/95
D170,695 S	*	10/1953	Kane	.....	D34/6
3,219,195 A	*	11/1965	Mize	.....	248/95
3,288,305 A	*	11/1966	Bryant	.....	248/95
D216,266 S	*	12/1969	Cherry	.....	D34/6
3,614,041 A	*	10/1971	Koger	.....	248/97
3,642,145 A	*	2/1972	Shelton	.....	248/97
D223,682 S	*	5/1972	Aldape	.....	D34/5
D224,144 S	*	7/1972	Acree	.....	D34/6
3,788,583 A	*	1/1974	Byrd	.....	248/95
3,866,872 A	*	2/1975	Burgess	.....	248/97
3,893,649 A		7/1975	Cornell et al.		
4,240,474 A		12/1980	Perkins		
D260,475 S		9/1981	Hall		
4,319,726 A		3/1982	Andersson		
4,376,520 A		3/1983	Wetherington		
4,576,350 A	*	3/1986	Bond	.....	248/97

\* cited by examiner

*Primary Examiner*—Cynthia E. Ramirez  
(74) *Attorney, Agent, or Firm*—Donald R. Schoonover

(57) **CLAIM**

I claim the ornamental design for a rack for suspending multiple compost bags, as shown and described.

**DESCRIPTION**

FIG. 1 is a perspective view of the rack for suspending multiple compost bags embodying the design of the present invention.

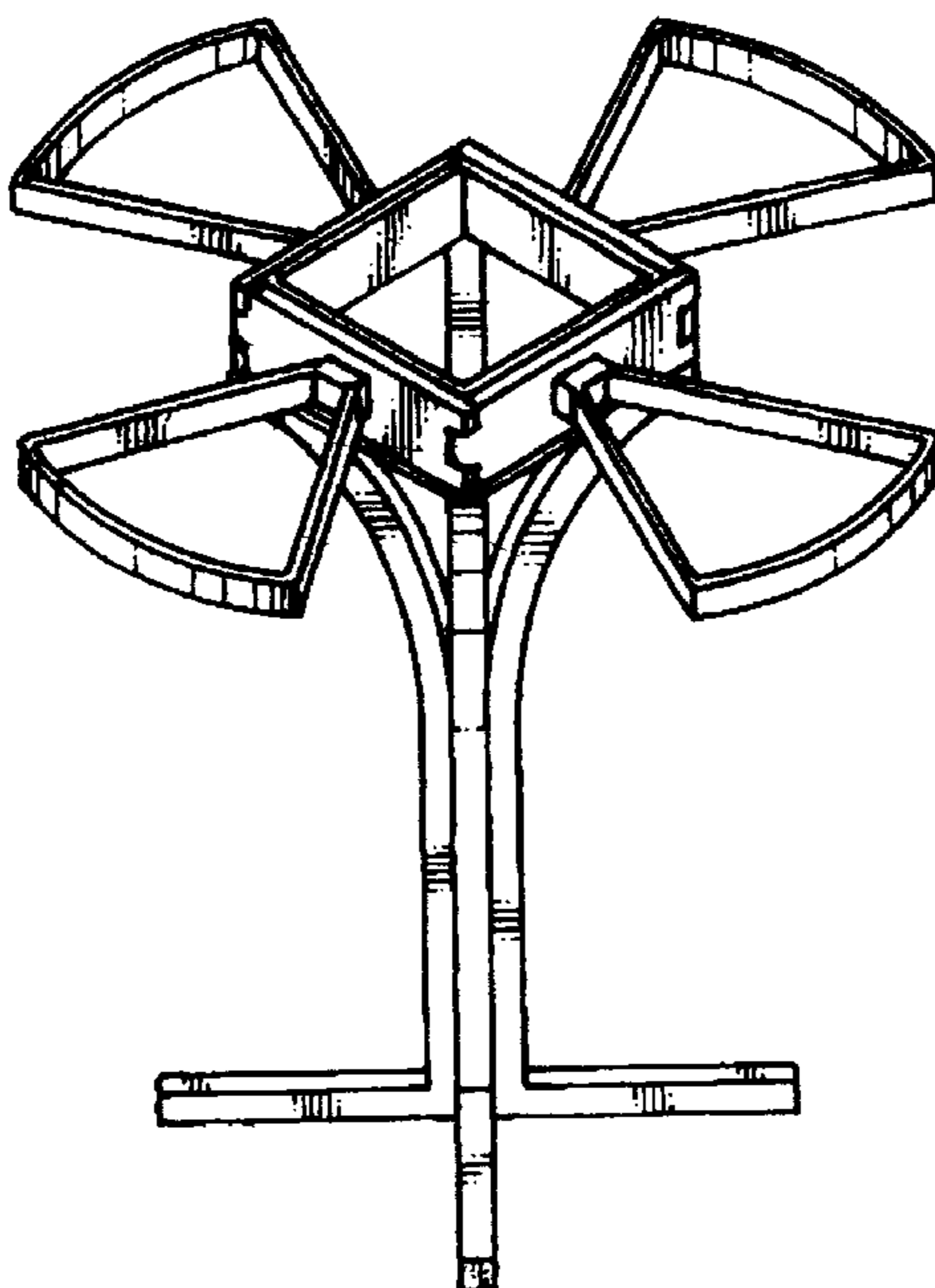
FIG. 2 is a side elevational view thereof;

FIG. 3 is a top plan view thereof; and,

FIG. 4 is a bottom plan view thereof.

The broken line showing of environmental structure is for illustrative purposes only and forms no part of the claimed design.

**1 Claim, 4 Drawing Sheets**



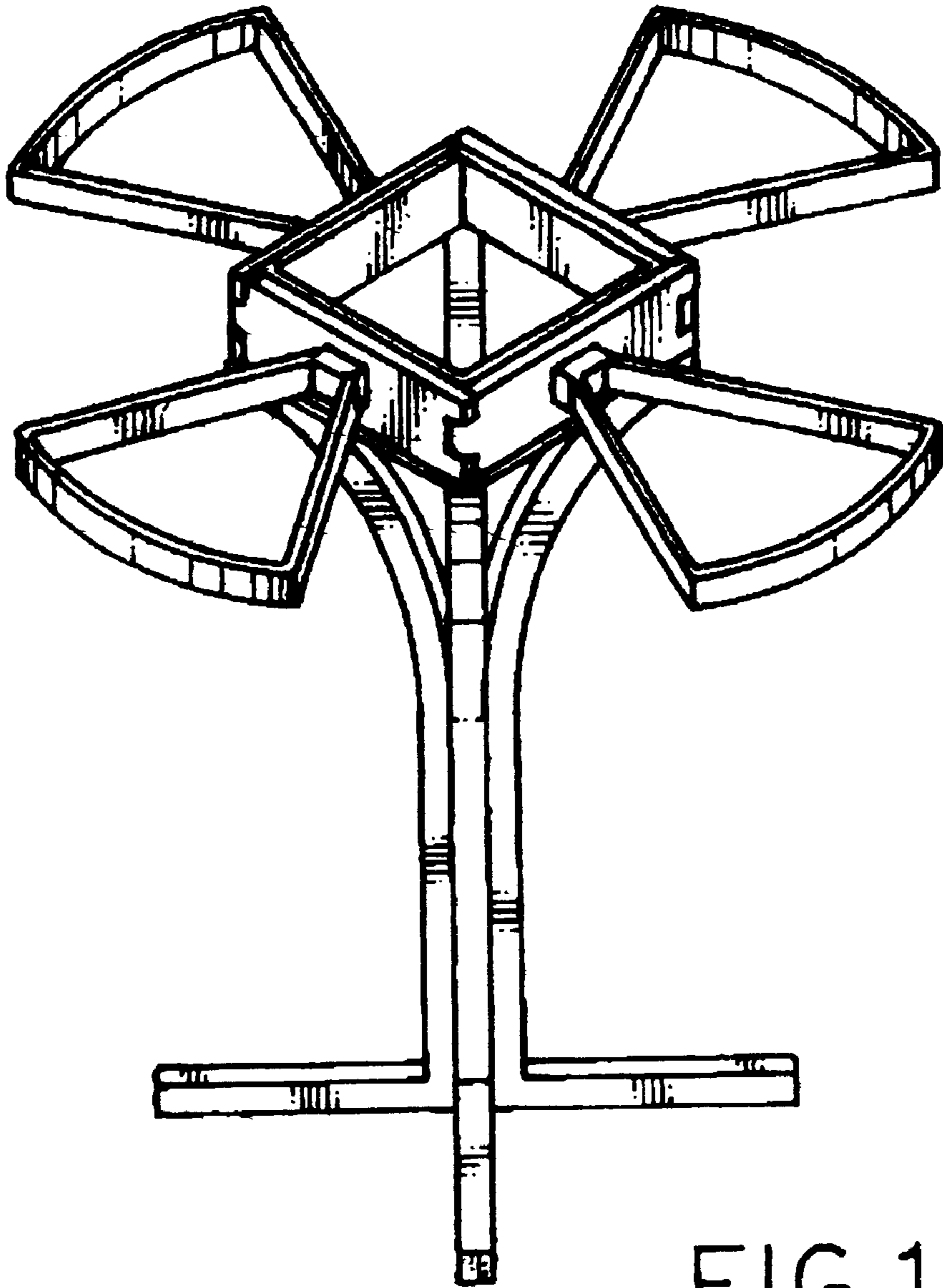


FIG. 1.

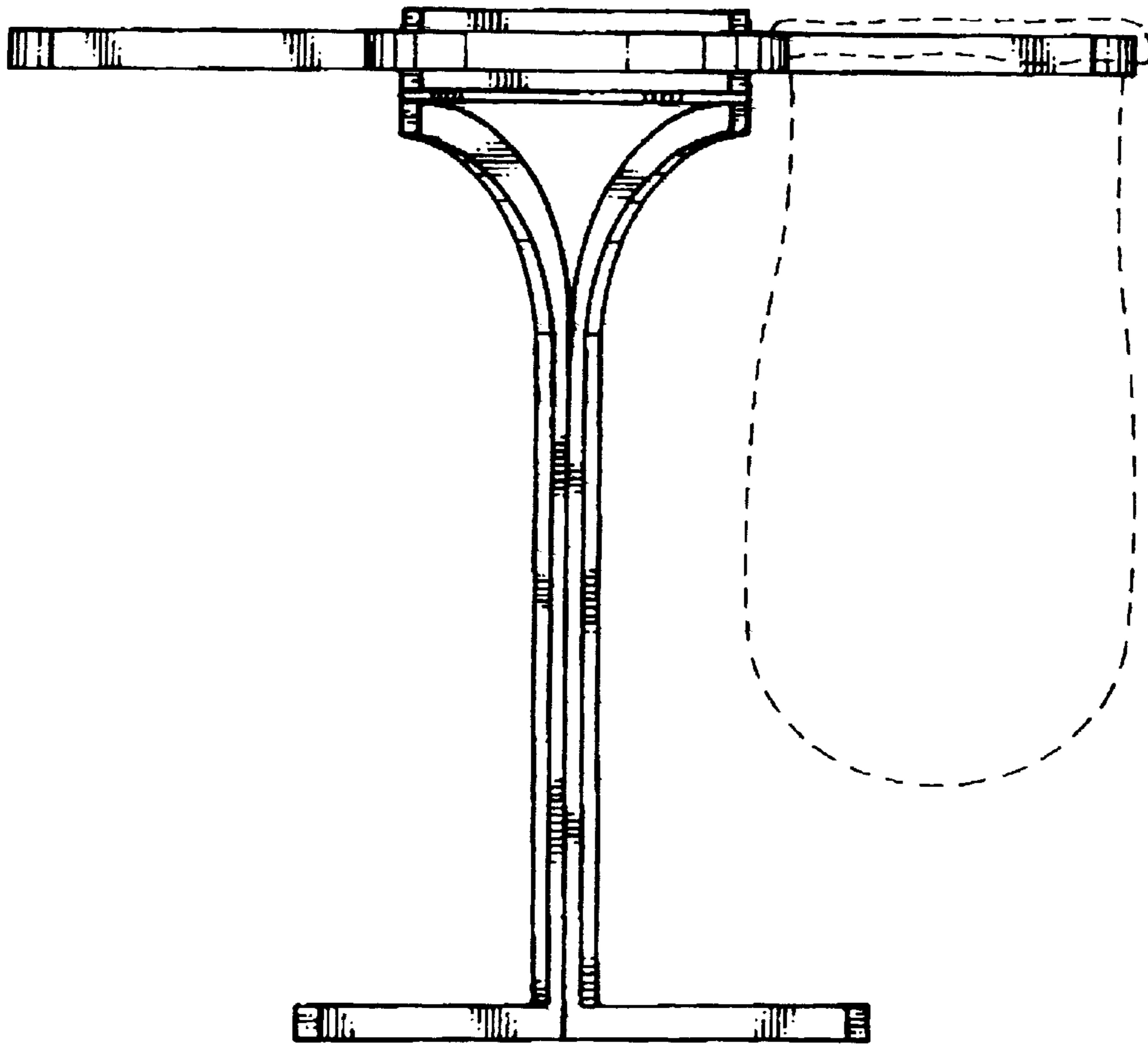


FIG. 2.

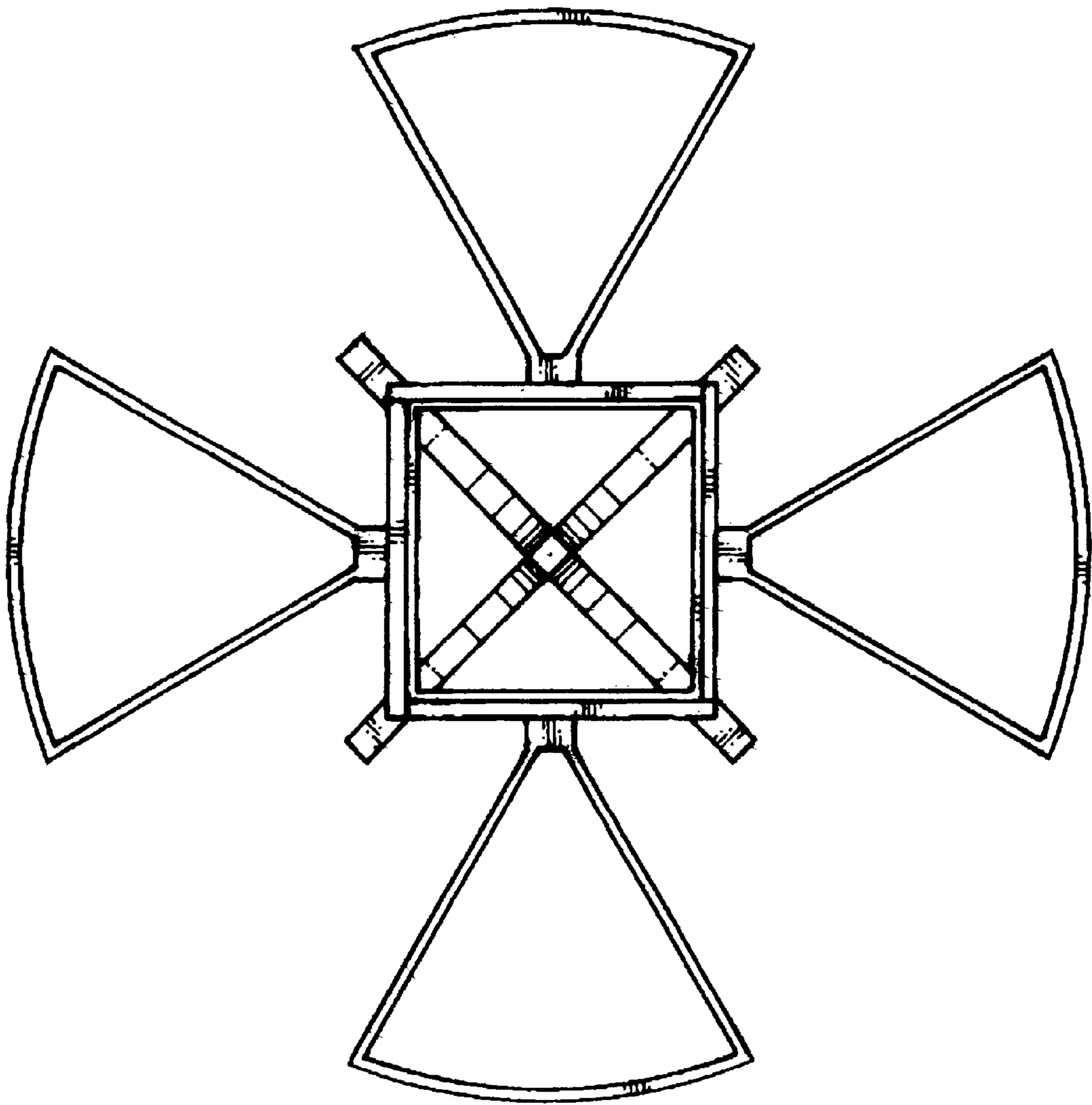


FIG. 3.

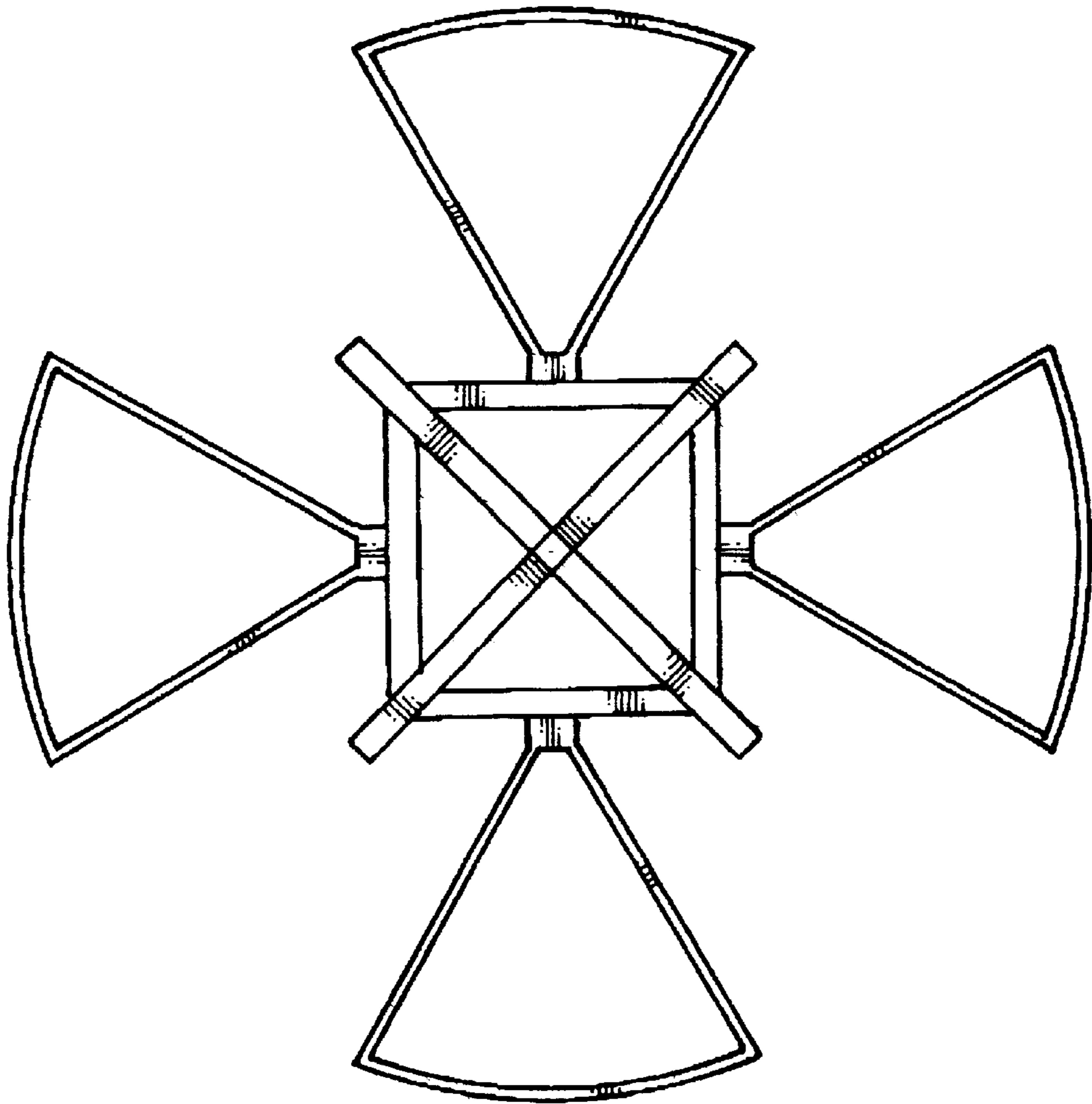


FIG. 4.