

US00D468499S

(12) **United States Design Patent**  
**Kitts**

(10) **Patent No.:** **US D468,499 S**

(45) **Date of Patent:** **\*\* Jan. 7, 2003**

(54) **MULTI-PURPOSE CLEANING TOOL  
ADAPTIVE TO A VACUUM CLEANER  
NOZZLE**

D392,780 S \* 3/1998 Holsten et al. .... D32/33  
D424,766 S \* 5/2000 Martin ..... D32/32

\* cited by examiner

(75) Inventor: **Keith D. Kitts**, Glenview, IL (US)

*Primary Examiner*—Ruth McInroy

(73) Assignee: **Koblentz Electrica, S.A. De C.V.**,  
Cauautitlan Izcalli (MX)

(74) *Attorney, Agent, or Firm*—Thomas J. Ring; Wildman,  
Harrold, Allen & Dixon

(\*\*) Term: **14 Years**

(57) **CLAIM**

(21) Appl. No.: **29/155,435**

The ornamental design for a multi-purpose cleaning tool  
adaptive to a vacuum cleaner nozzle, as shown and  
described.

(22) Filed: **Feb. 7, 2002**

**DESCRIPTION**

(51) **LOC (7) Cl.** ..... **15-05**

(52) **U.S. Cl.** ..... **D32/32**

(58) **Field of Search** ..... D32/31–33, 22,  
D32/25; 15/322, 327.1–327.7, 329, 362,  
393, 398, 400–401, 415.1–422.1

FIG. 1 is a top frontal perspective view of a multi-purpose  
cleaning tool adaptive to a vacuum cleaner nozzle showing  
my new design;

FIG. 2 is a rear bottom perspective view thereof;

FIG. 3 is a top plan view thereof;

FIG. 4 is a front elevational view thereof;

FIG. 5 is a side elevational view thereof;

FIG. 6 is a rear elevational view thereof;

FIG. 7 is a bottom plan view thereof;

FIG. 8 is a top frontal perspective view of a second embodi-  
ment thereof;

FIG. 9 is a rear bottom perspective view of FIG. 8;

FIG. 10 is a top plan view of FIG. 8;

FIG. 11 is a front elevational view of FIG. 8;

FIG. 12 is a side elevational view of FIG. 8;

FIG. 13 is a rear elevational view of FIG. 8; and,

FIG. 14 is a bottom plan view of FIG. 8.

(56) **References Cited**

**U.S. PATENT DOCUMENTS**

D98,082 S	1/1936	Lofgren	
D103,240 S	* 2/1937	Lofgren	D32/33
D144,229 S	3/1946	Wittke	
D148,313 S	* 1/1948	Lippincott	D32/33
D161,681 S	* 1/1951	Dreyfuss	D32/33
D172,981 S	9/1954	Ortega	
D173,454 S	11/1954	Ortega et al.	
D178,746 S	* 9/1956	Andersson-Sason	D32/33
D244,274 S	5/1977	Winard et al.	
D306,506 S	3/1990	Houser	
D311,615 S	* 10/1990	Berfield et al.	D32/32
D381,144 S	* 7/1997	Moine et al.	D32/32

**1 Claim, 6 Drawing Sheets**

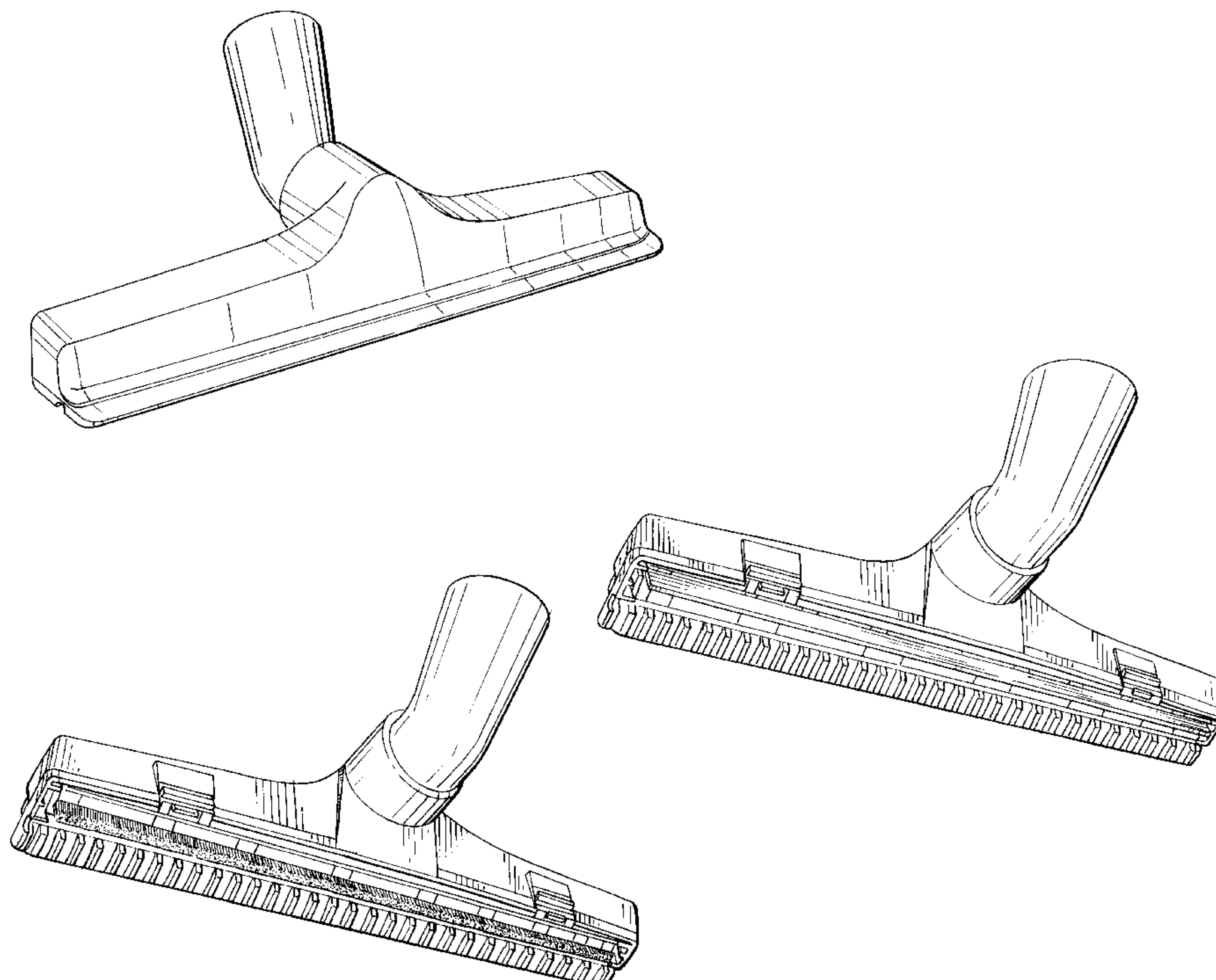


FIG. 1

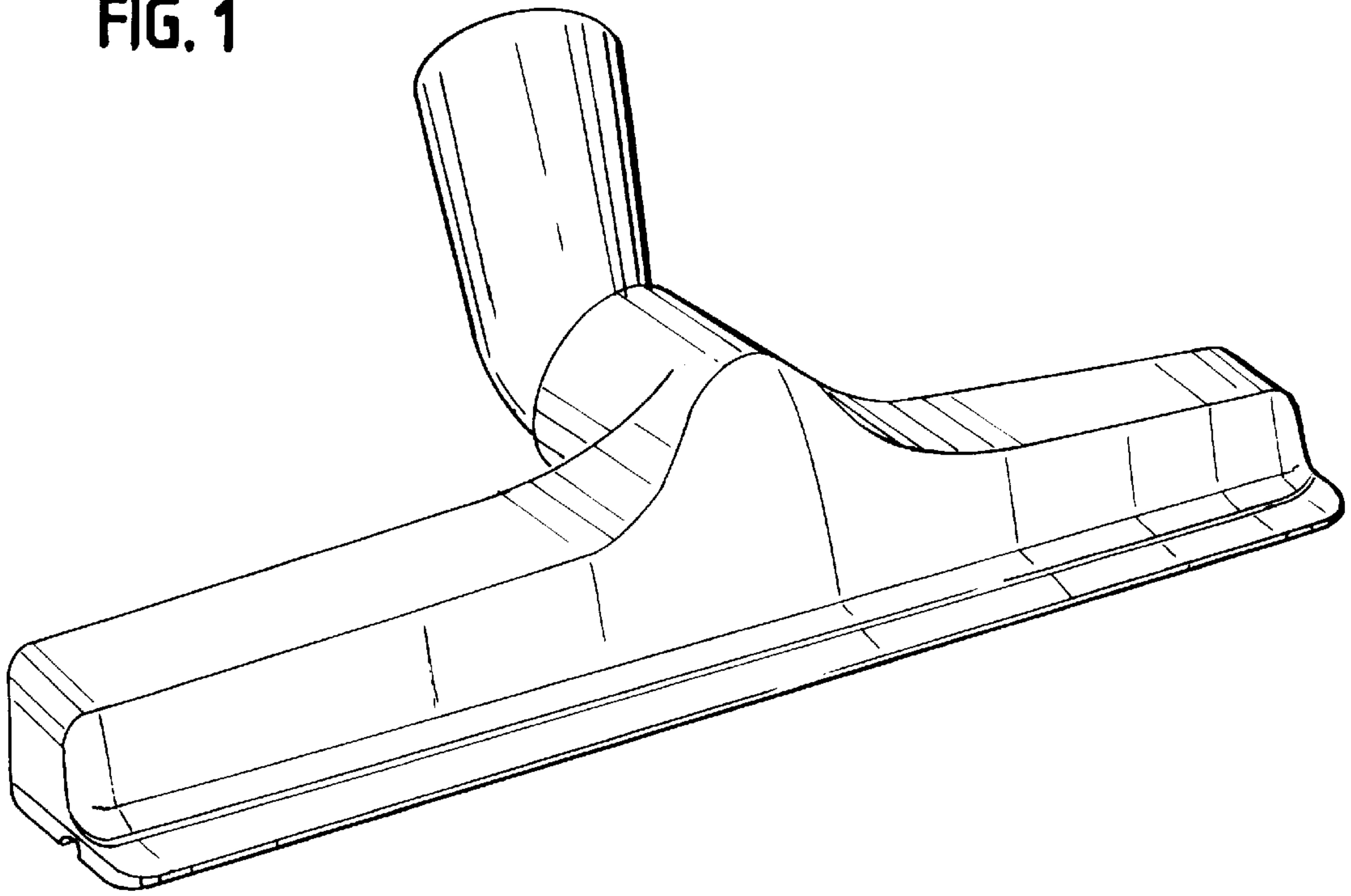


FIG. 2

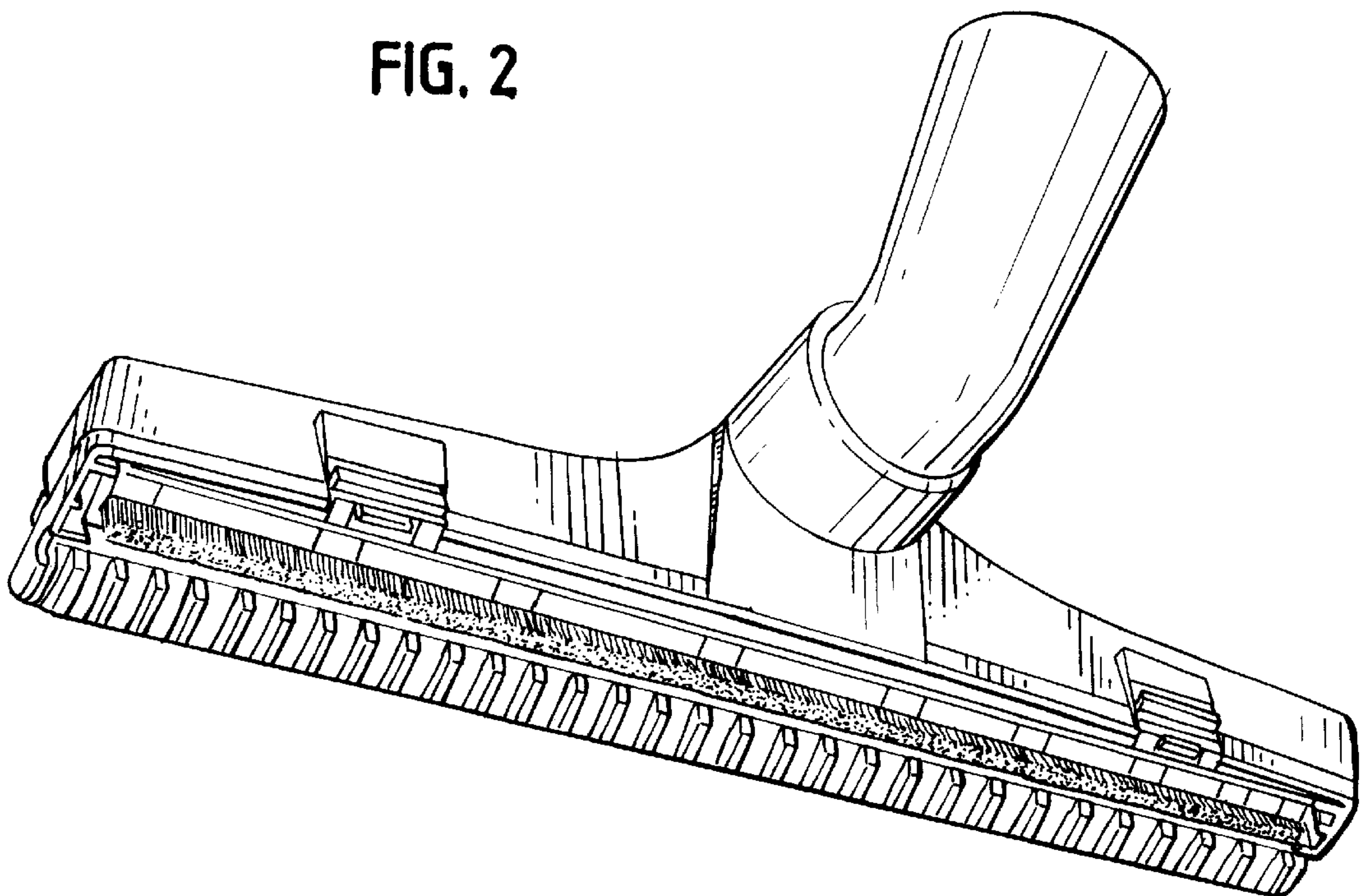


FIG. 3

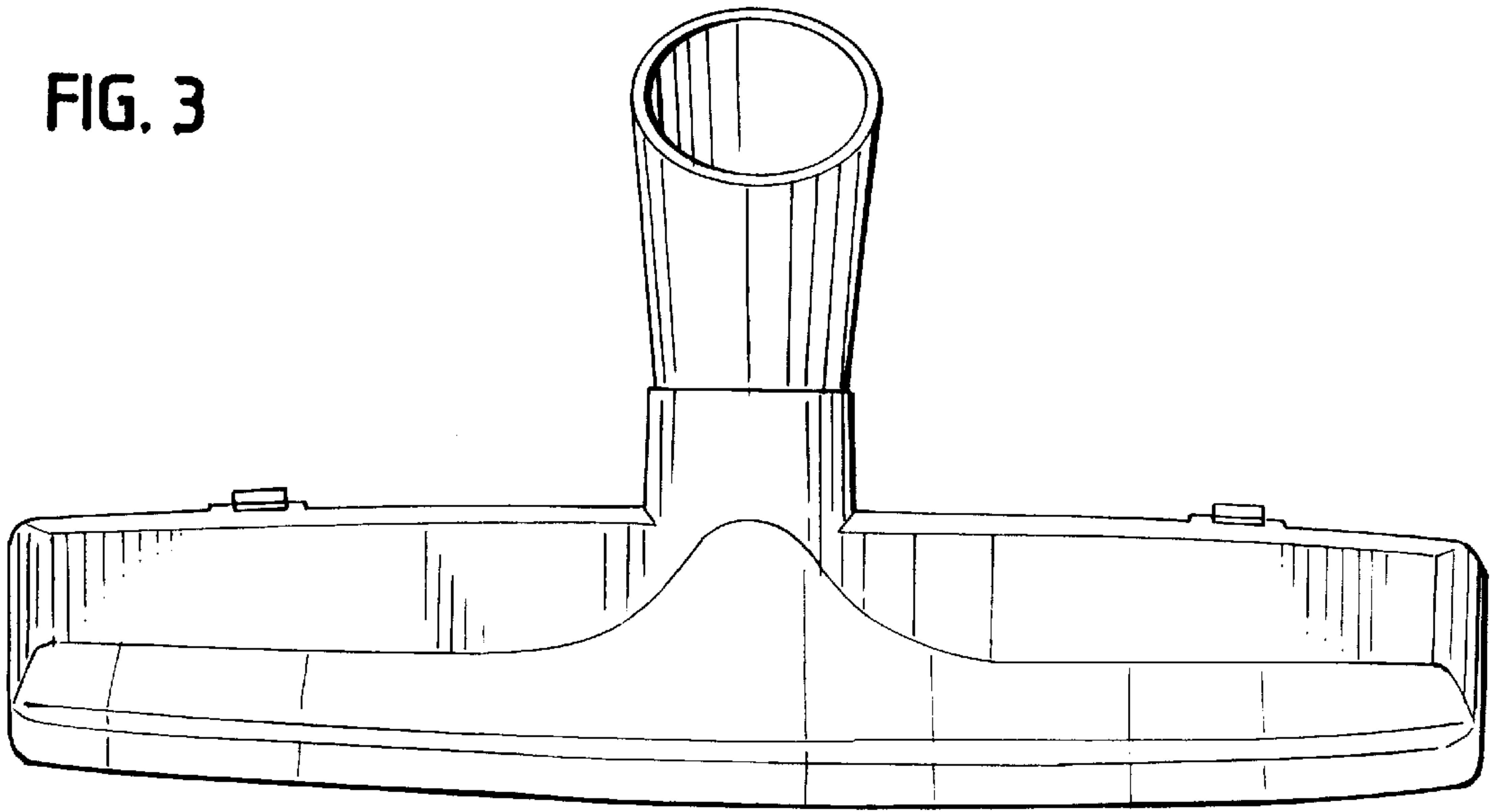


FIG. 4

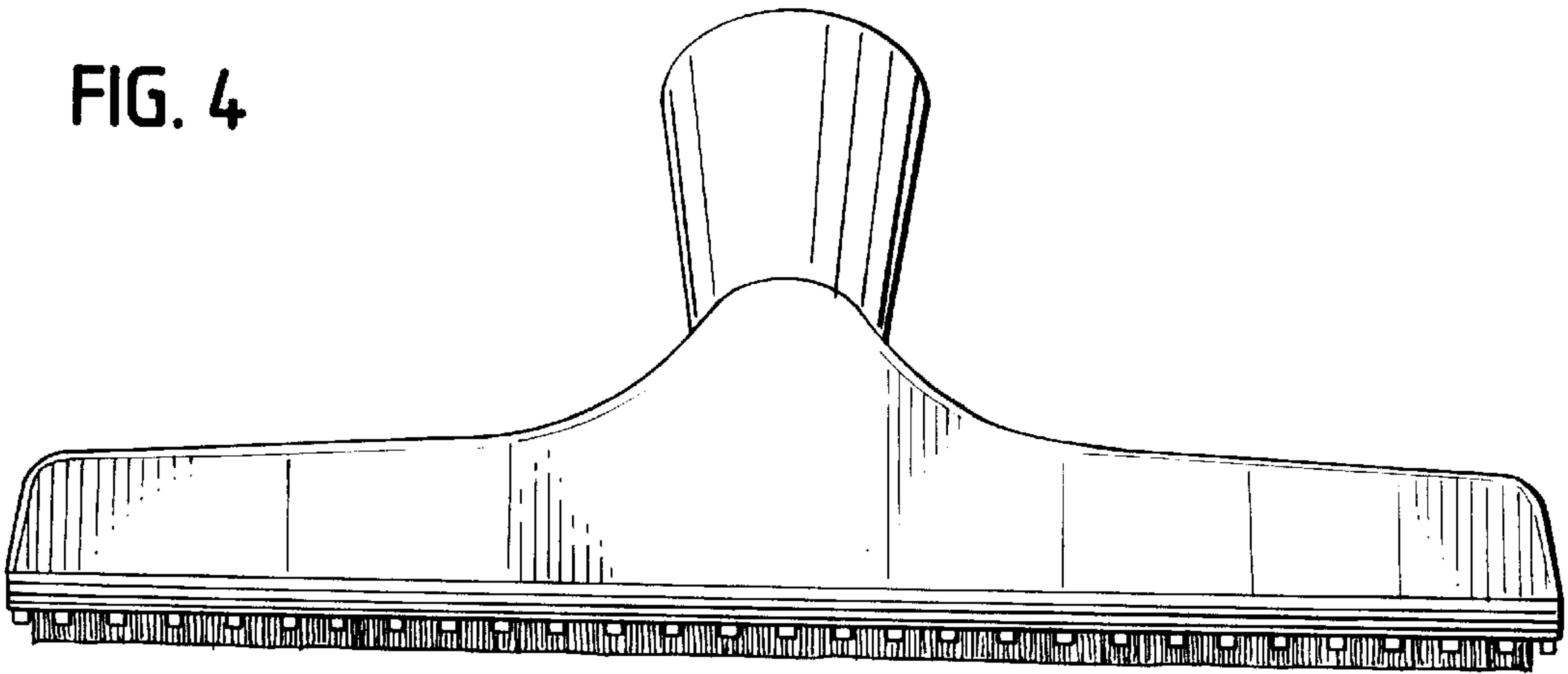


FIG. 5

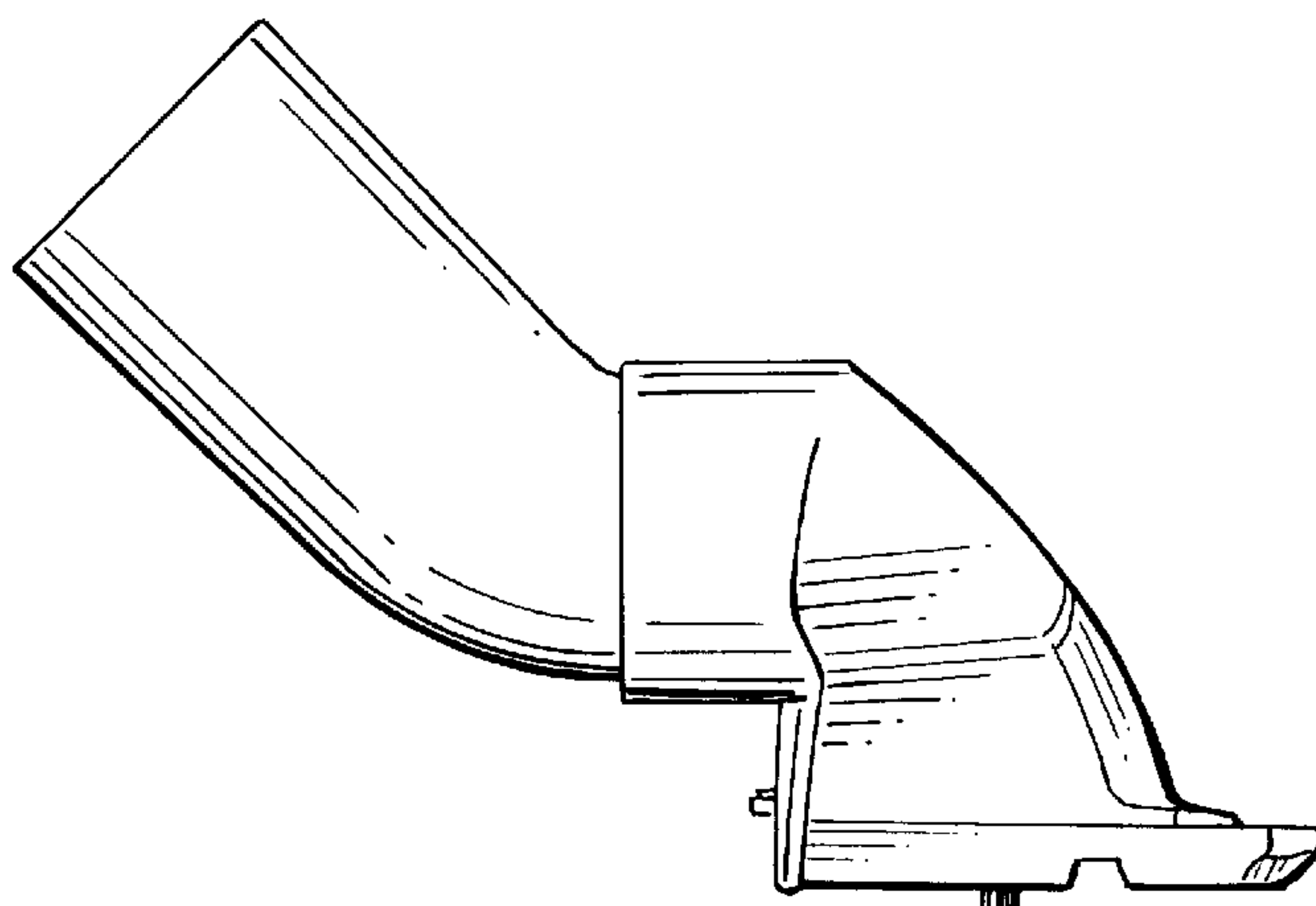


FIG. 6

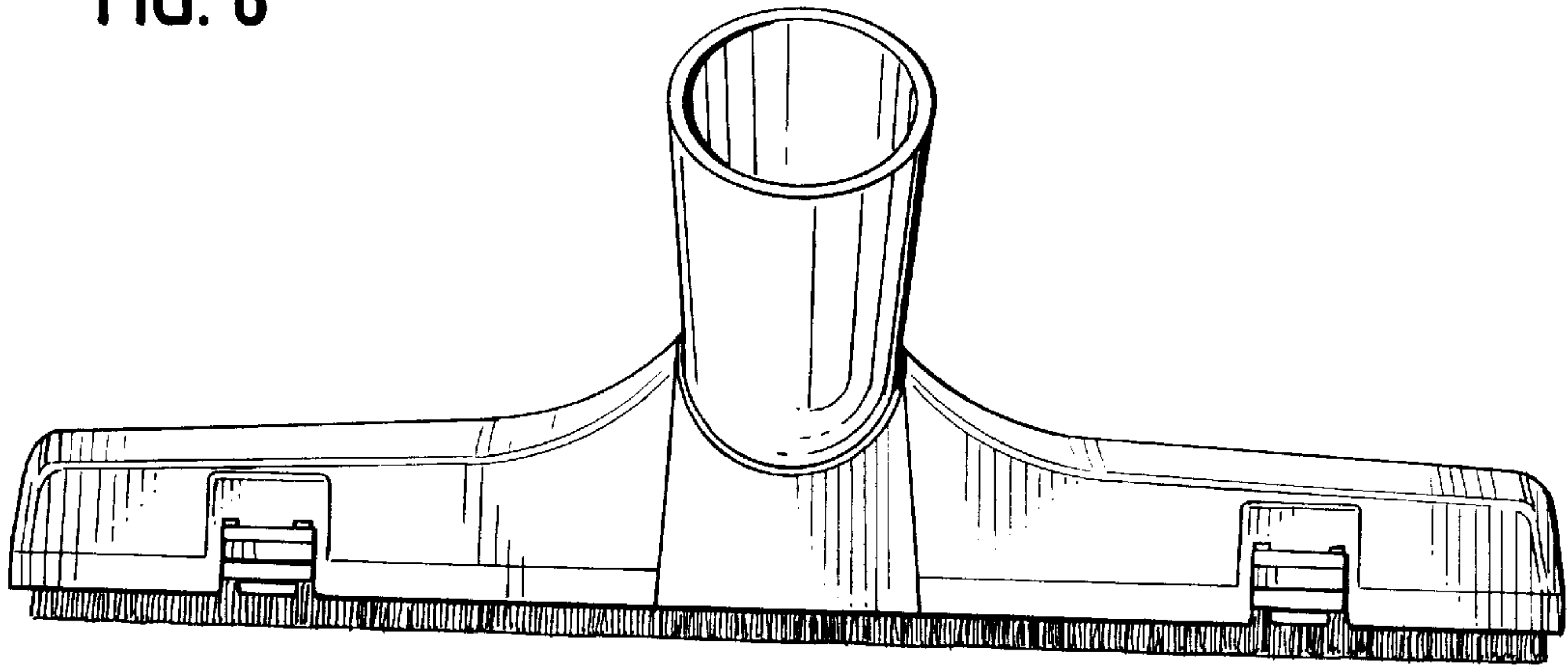


FIG. 7

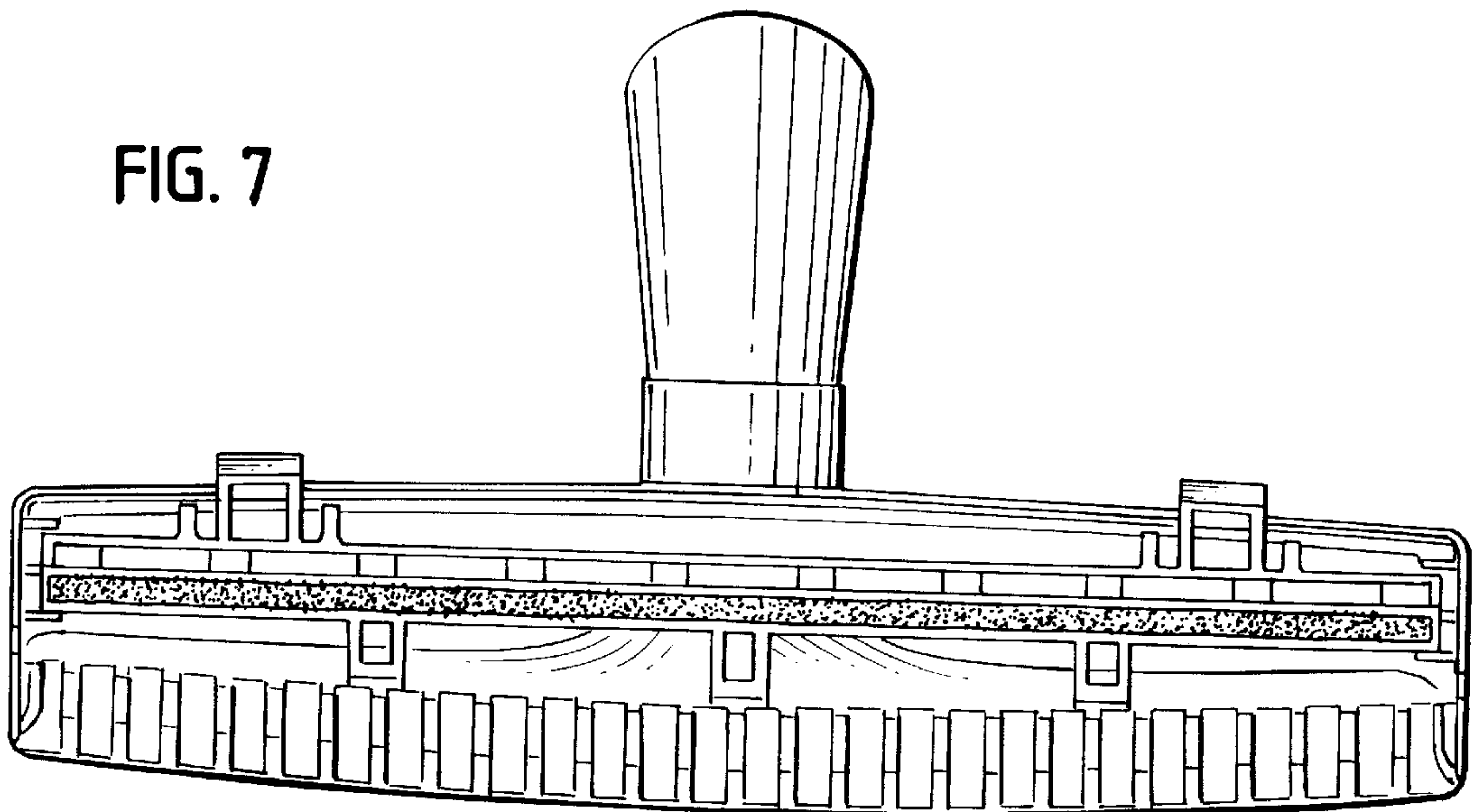




FIG. 8

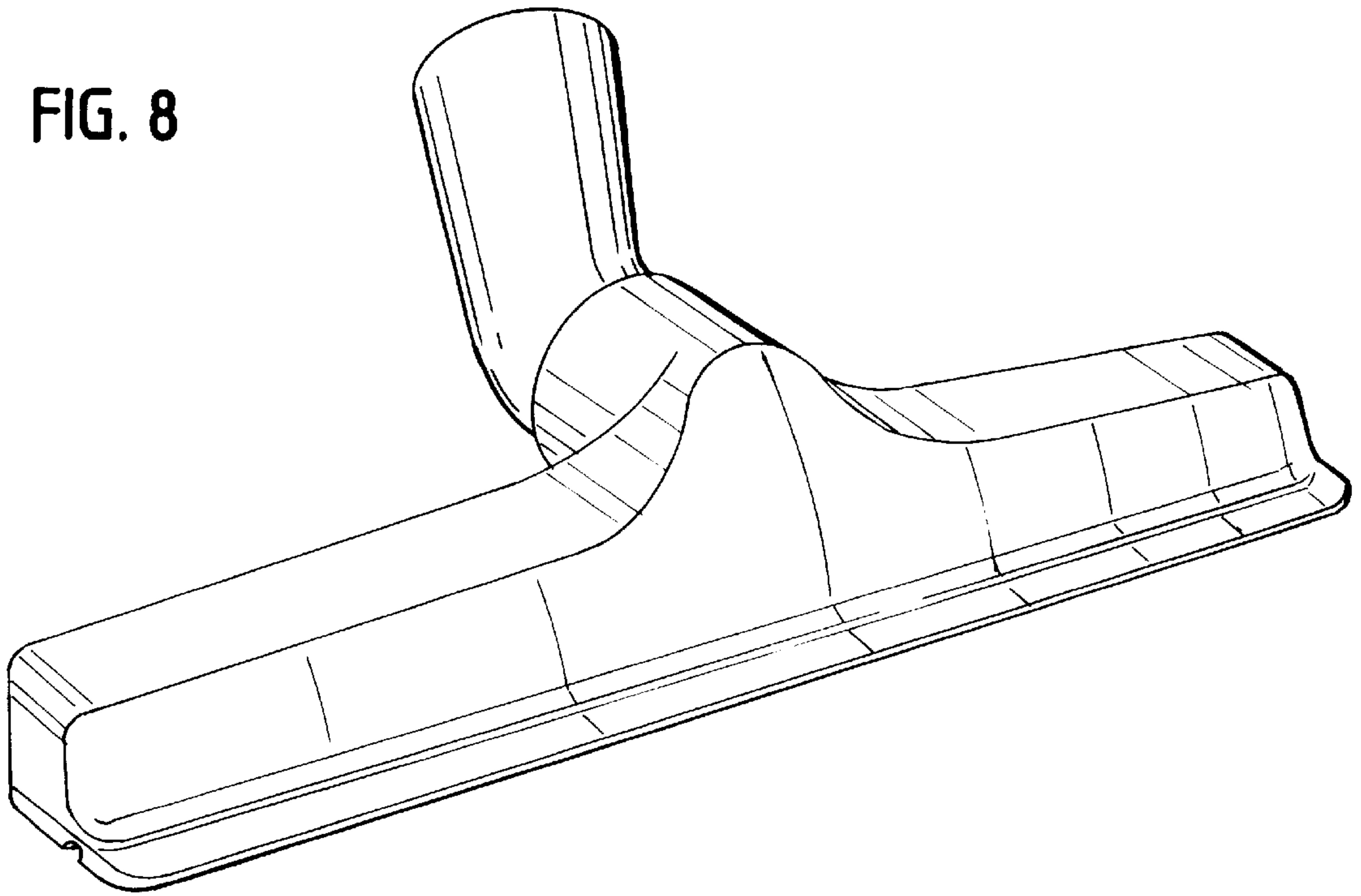


FIG. 9

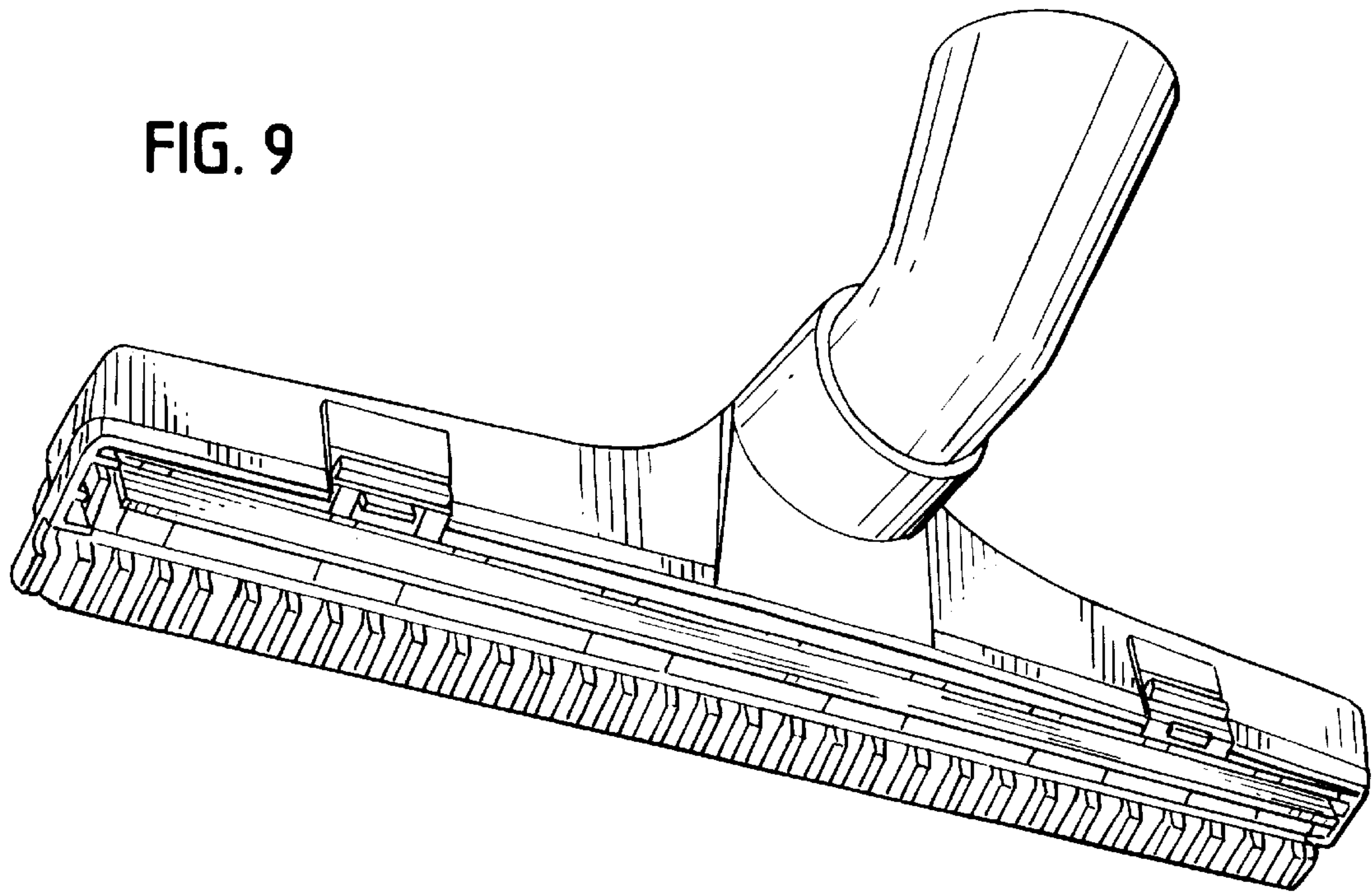


FIG. 10

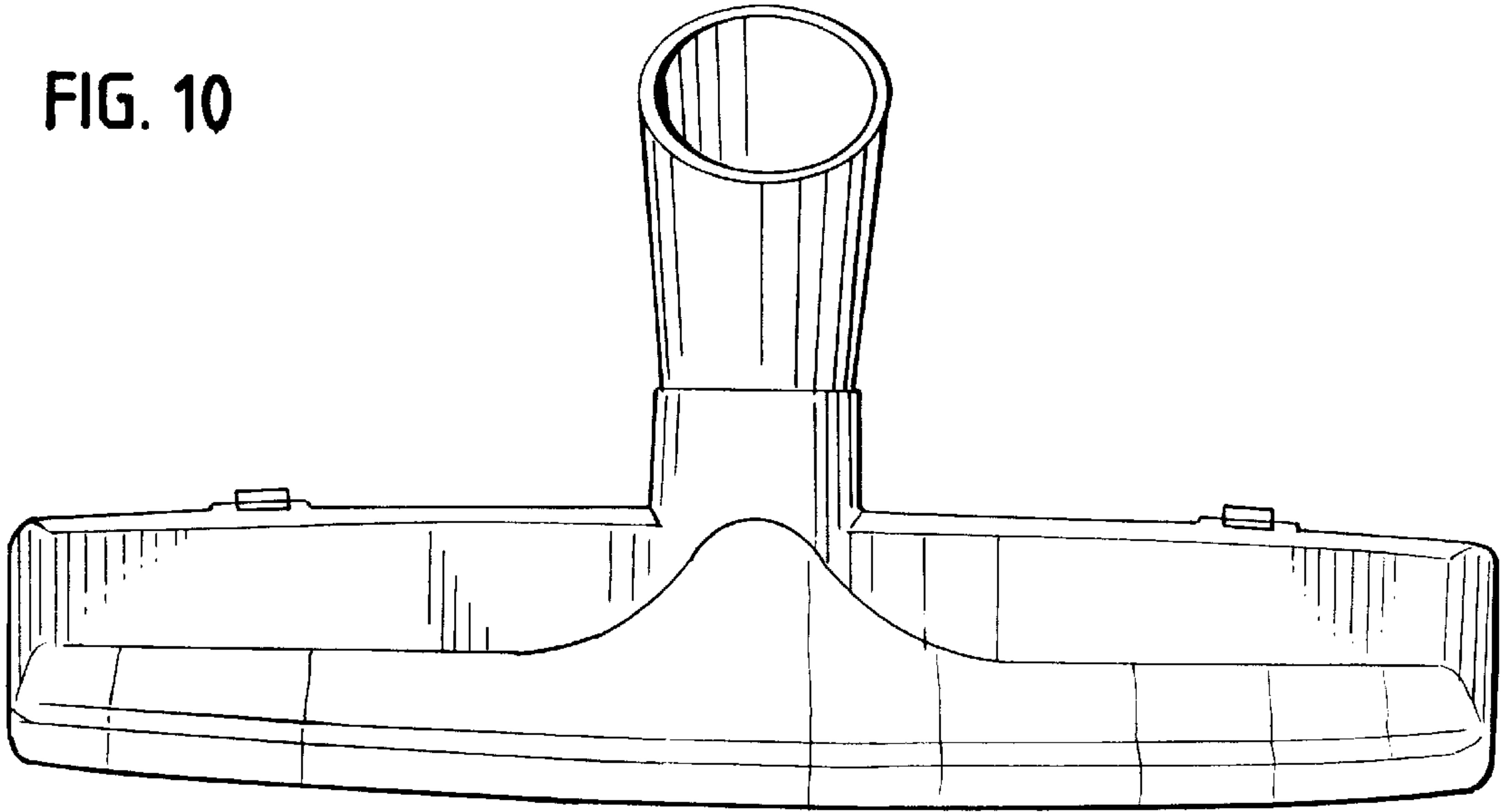


FIG. 11

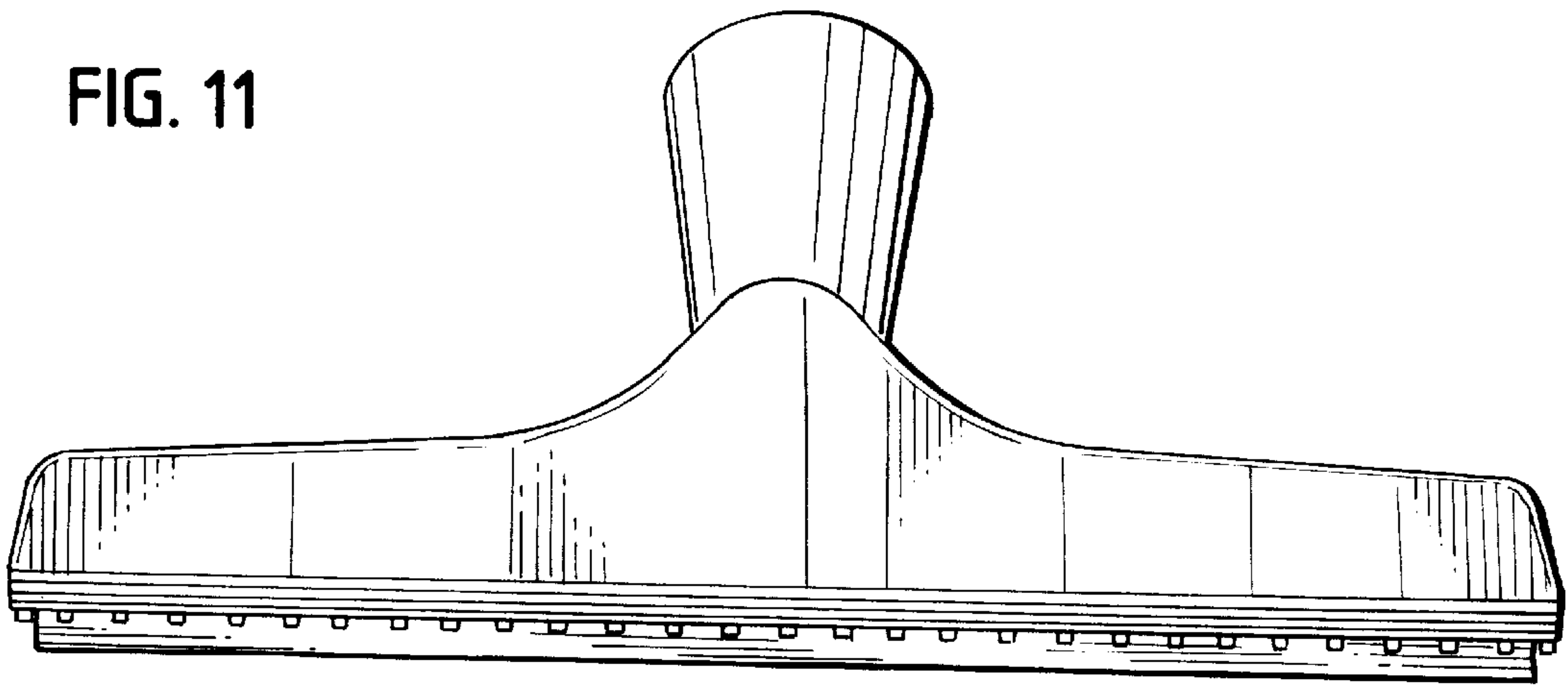


FIG. 12

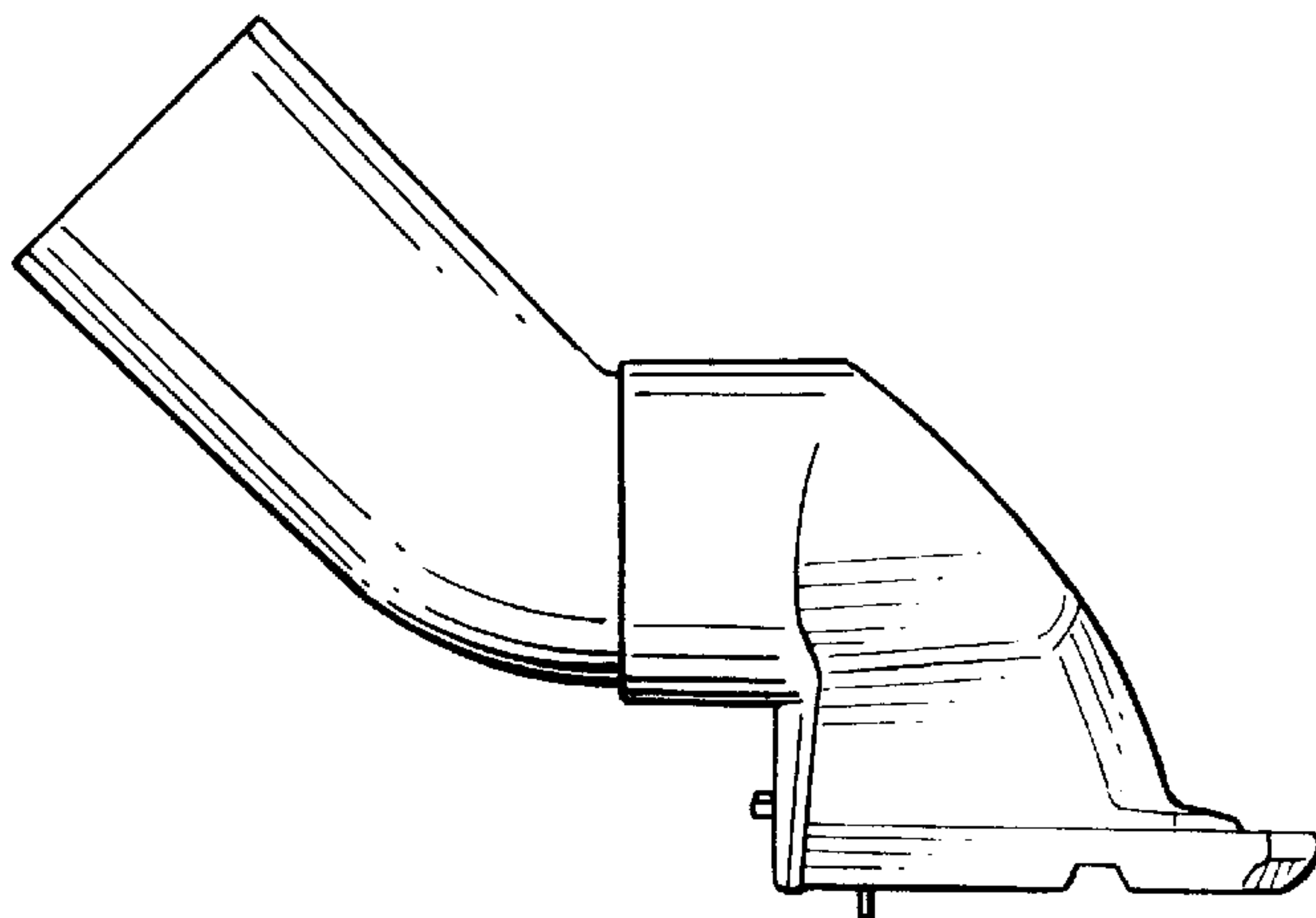


FIG. 13

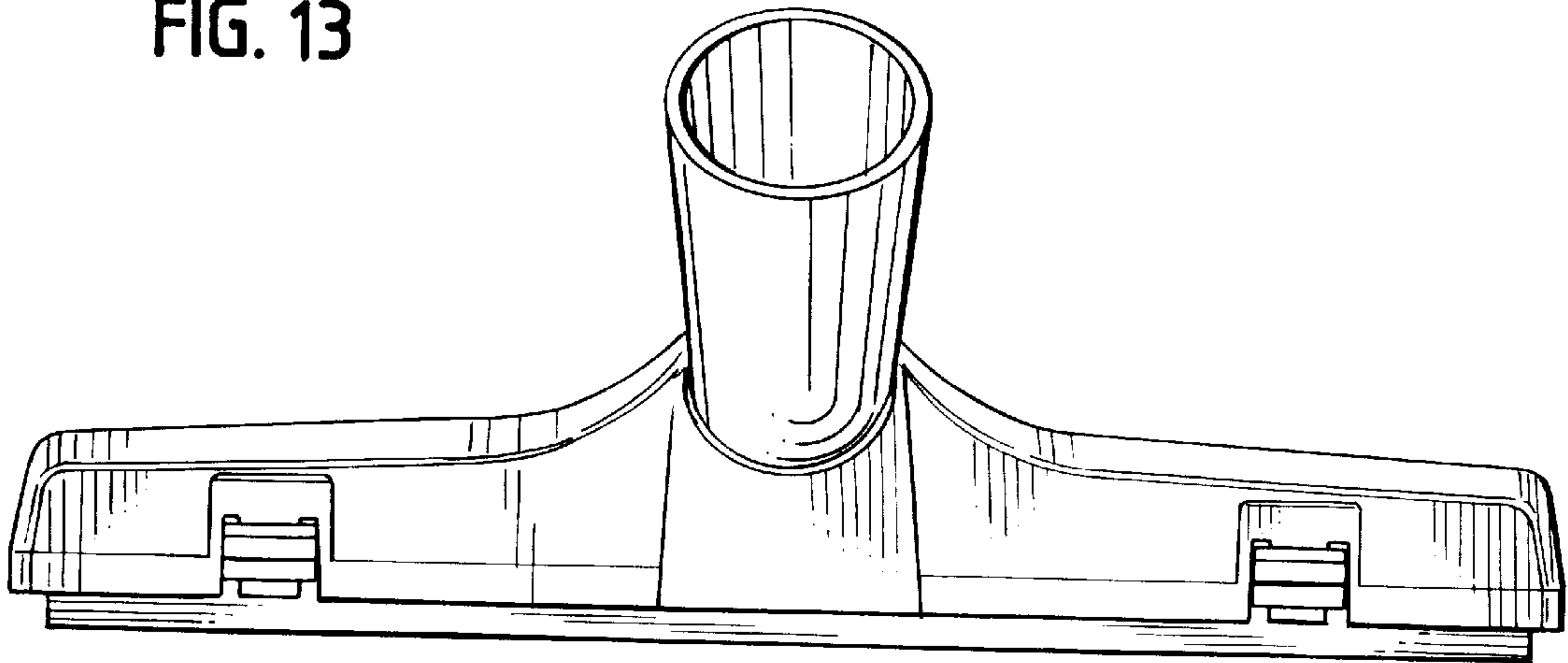


FIG. 14

