



US00D468498S

(12) **United States Design Patent**
Santiago et al.

(10) **Patent No.:** **US D468,498 S**

(45) **Date of Patent:** **** Jan. 7, 2003**

(54) **STEAM CLEANER UPPER PORTION**

(75) Inventors: **Jose Carlito Santiago**, Grand Rapids, MI (US); **Kevin T. Downey**, Grand Rapids, MI (US); **Douglas J. Medema**, Belding, MI (US)

(73) Assignee: **Bissell Homecare, Inc.**, Grand Rapids, MI (US)

(**) Term: **14 Years**

(21) Appl. No.: **29/153,756**

(22) Filed: **Jan. 10, 2002**

(51) **LOC (7) Cl.** **15-05**

(52) **U.S. Cl.** **D32/31**

(58) **Field of Search** D32/21-22, 31-34, D32/25; 15/347, 350-353, 320-322, 361, 377, 415.1-422.1, 410, 383, 329

(56) **References Cited**

U.S. PATENT DOCUMENTS

- D301,649 S 6/1989 Yamamoto et al.
- D313,879 S * 1/1991 Ito D32/22
- D328,165 S * 7/1992 Ferrari et al. D32/22
- D359,604 S 6/1995 Sovis et al.
- D377,697 S 1/1997 Stephens et al.
- D382,681 S * 8/1997 Thomas D32/22

- D382,682 S 8/1997 Wareham et al.
- D398,096 S 9/1998 Gildersleeve
- D405,929 S 2/1999 Sovis et al.
- D419,731 S * 1/2000 Bates et al. D32/22
- D421,671 S 3/2000 Thomas et al.
- D433,546 S * 11/2000 Milanese D32/22
- D436,699 S * 1/2001 Makihara et al. D32/22

* cited by examiner

Primary Examiner—Ruth McInroy

(74) *Attorney, Agent, or Firm*—McGarry Bair LLP

(57) **CLAIM**

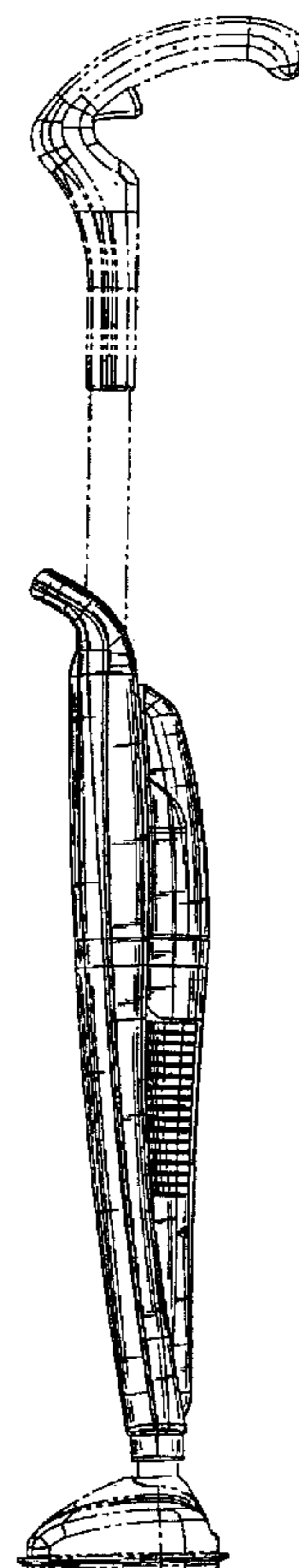
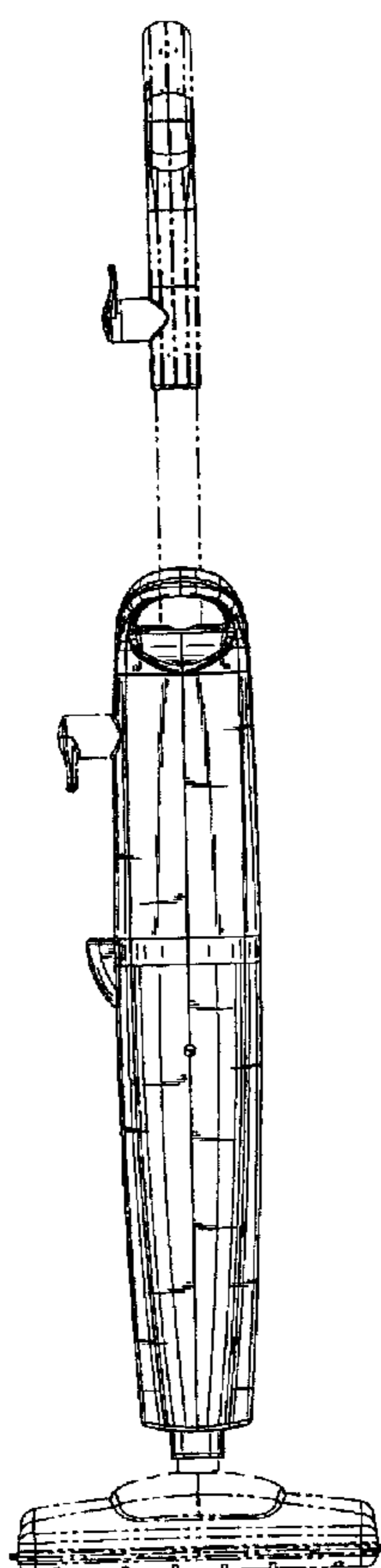
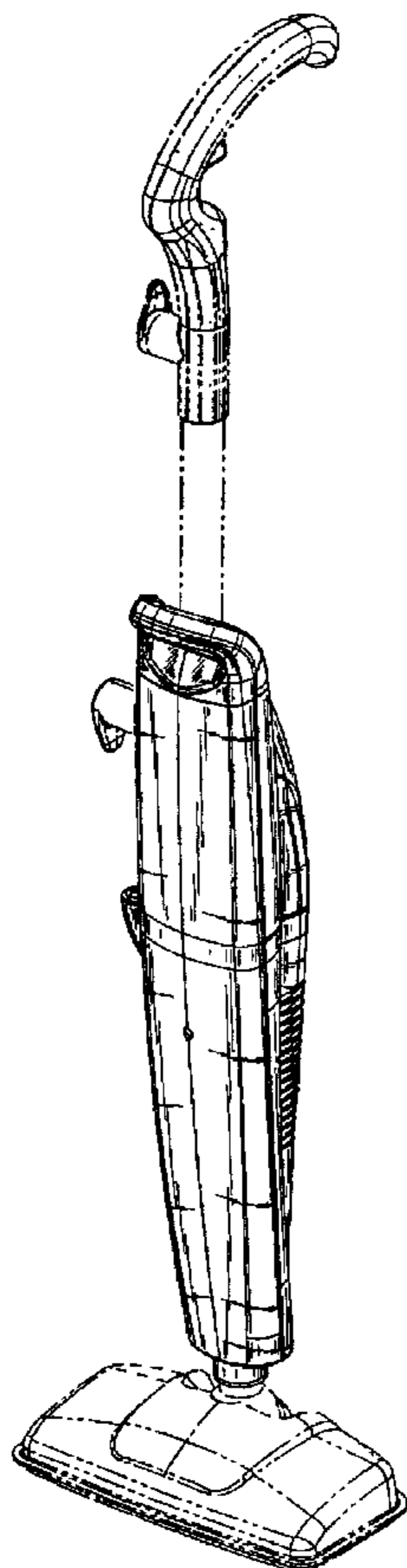
The ornamental design for a steam cleaner upper portion, as shown and described.

DESCRIPTION

FIG. 1 is a perspective view of an steam cleaner upper portion showing our new design; FIG. 2 is a front view thereof; FIG. 3 is a rear view thereof; FIG. 4 is a right side view thereof; FIG. 5 is a left side view thereof; FIG. 6 is a top view thereof; and, FIG. 7 is a bottom view thereof.

The portions of the drawings shown in broken lines form no part of the claimed design.

1 Claim, 4 Drawing Sheets



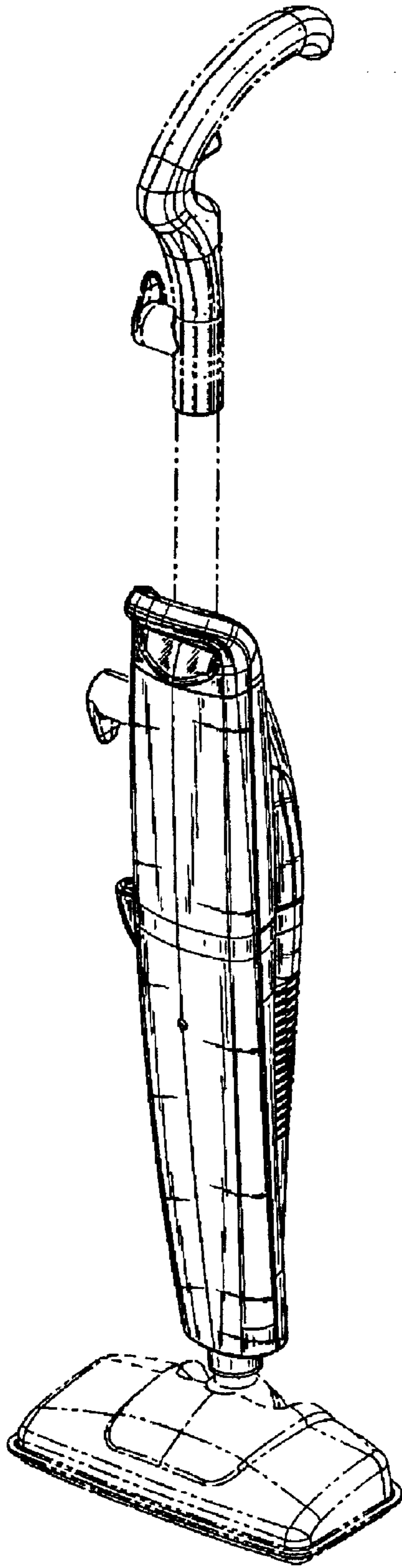


Fig. 1

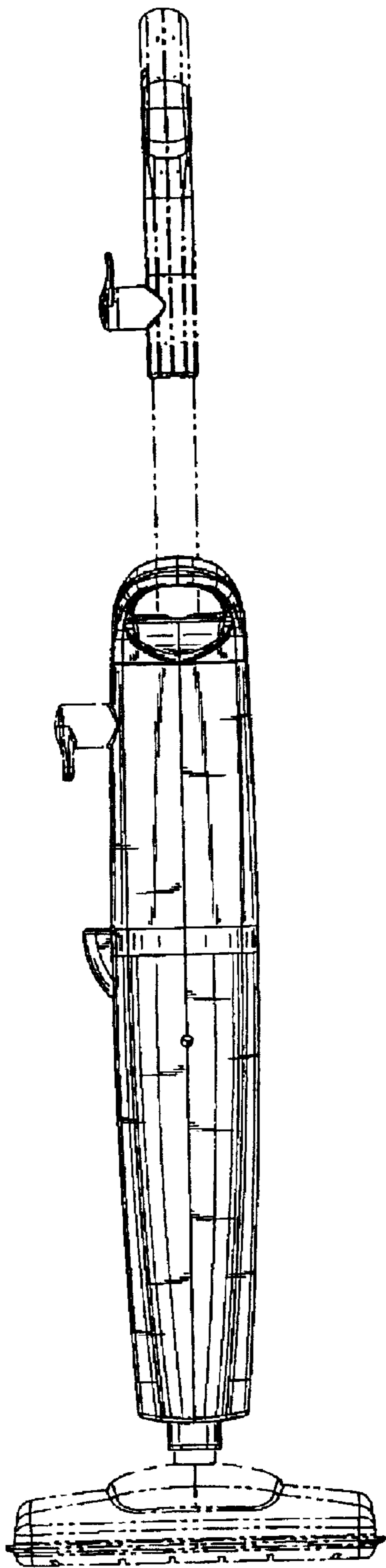


Fig. 2

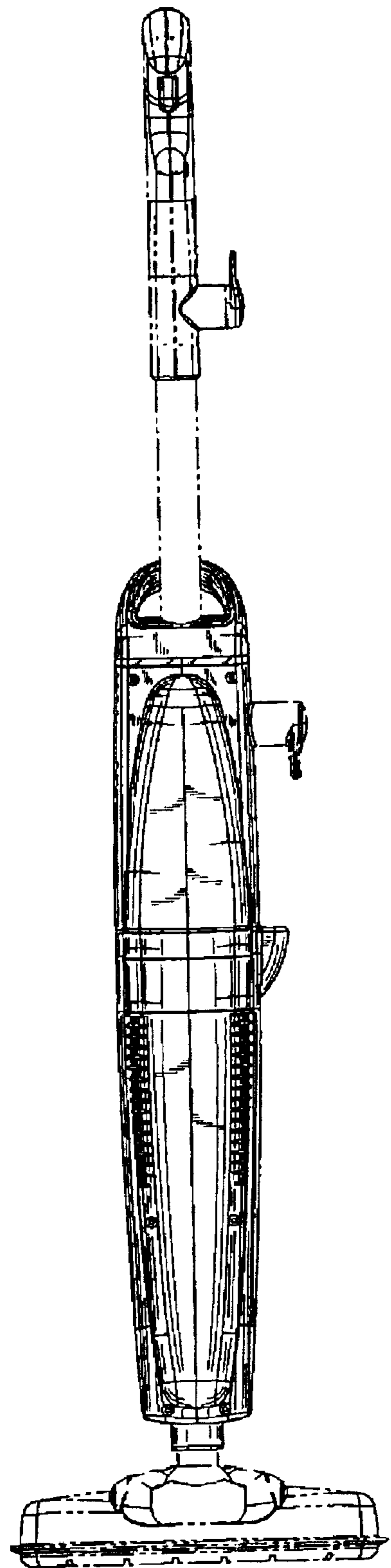


Fig. 3

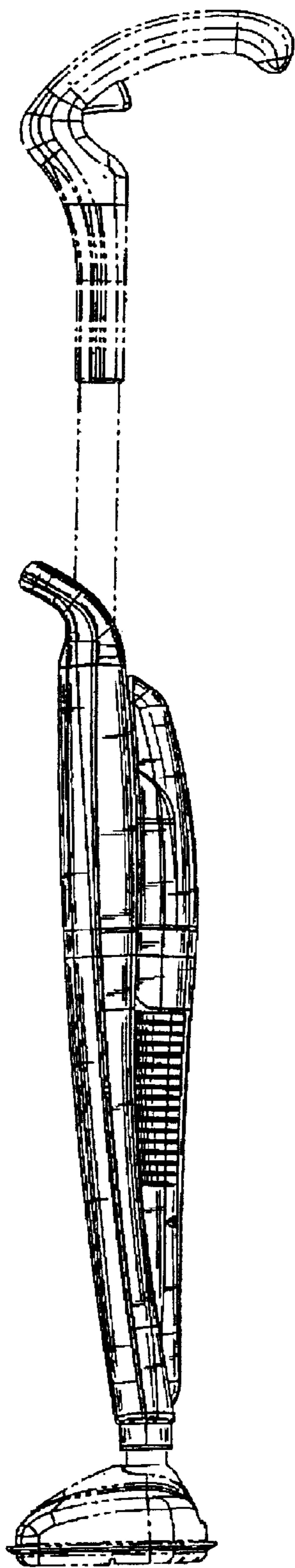


Fig. 4

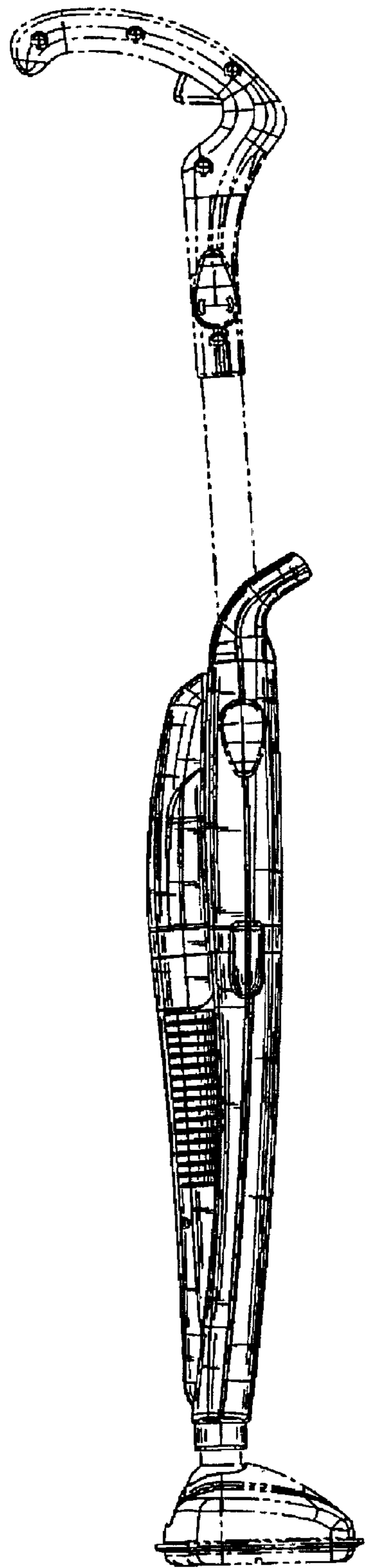


Fig. 5

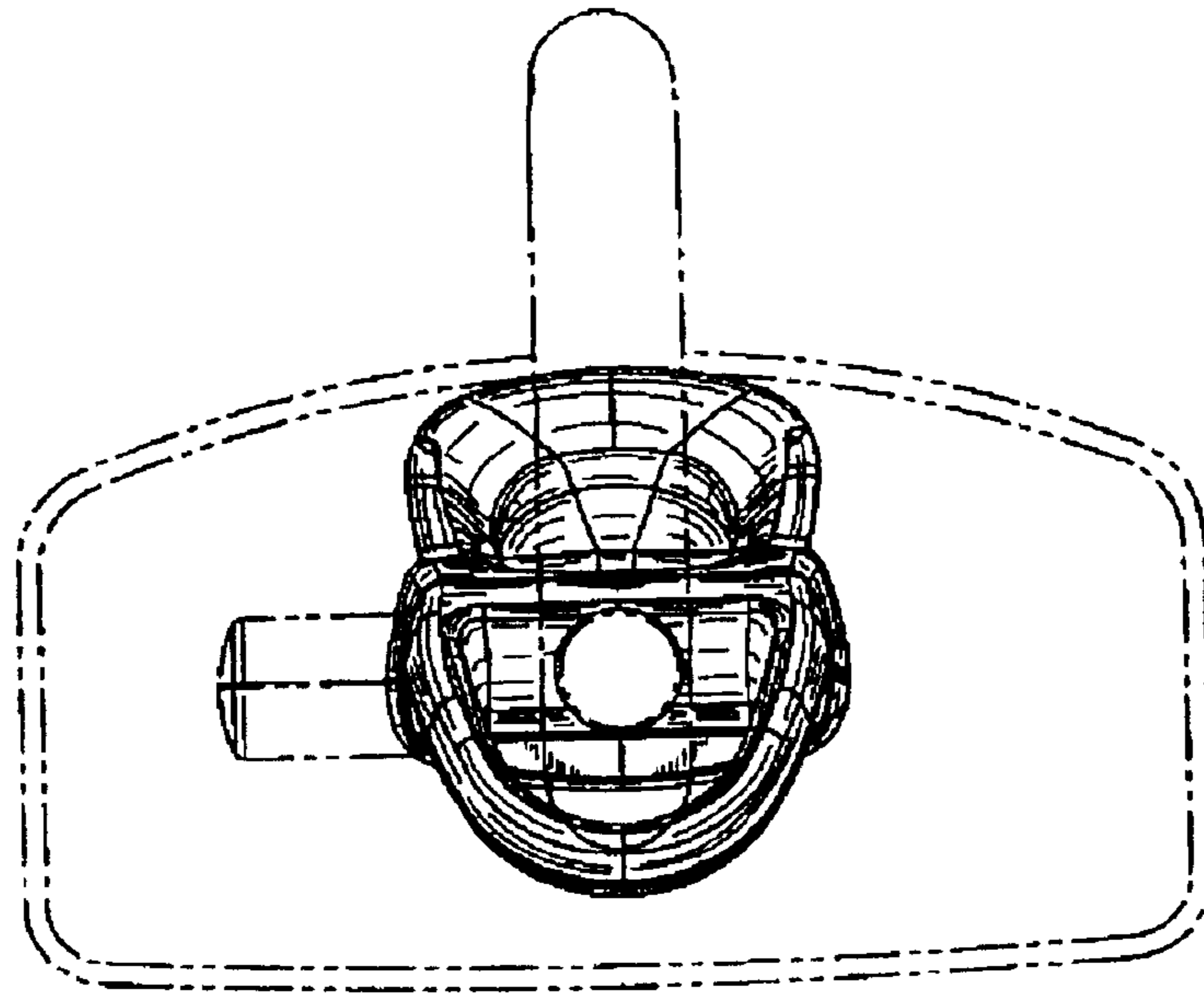


Fig. 6

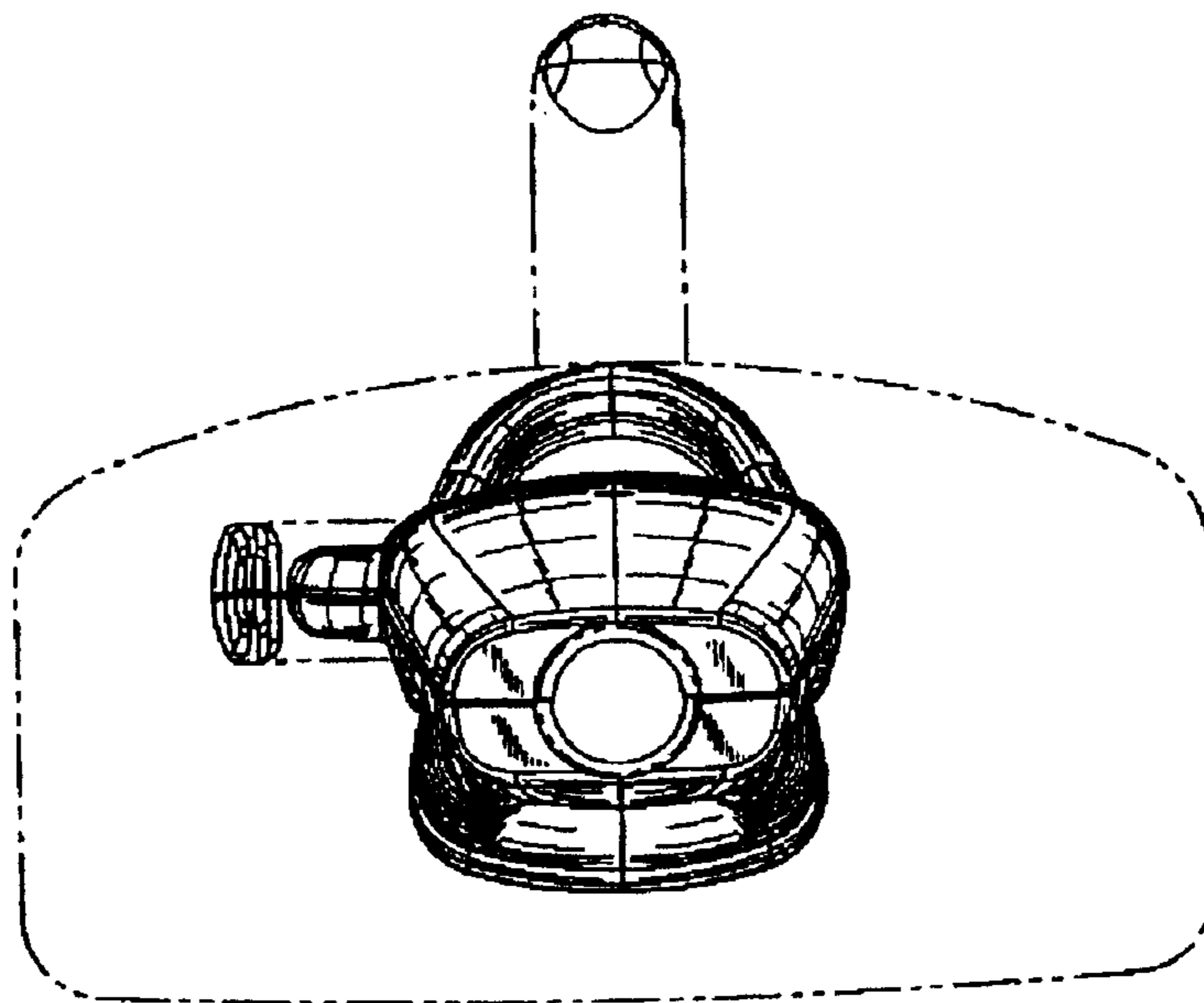


Fig. 7