



US00D468497S

(12) **United States Design Patent**
Lovely, Jr.

(10) **Patent No.:** **US D468,497 S**

(45) **Date of Patent:** **** Jan. 7, 2003**

(54) **VACUUM CLEANER AIR FLOW ENHANCER**

(76) **Inventor:** **George H. Lovely, Jr.**, 34 Burnett Rd.,
Auburn, MA (US) 01501

(**) **Term:** **14 Years**

(21) **Appl. No.:** **29/135,687**

(22) **Filed:** **Jan. 17, 2001**

(51) **LOC (7) Cl.** **15-05**

(52) **U.S. Cl.** **D32/31**

(58) **Field of Search** D32/31, 1, 25,
D32/30; 15/347, 352, 353

(56) **References Cited**

U.S. PATENT DOCUMENTS

2,951,714	A	*	9/1960	Carlberg et al.	15/327.7
D211,826	S	*	7/1968	Matthews	D32/31
3,524,211	A	*	8/1970	Wolf	15/327.1
D233,213	S	*	10/1974	Anderson	D8/352
4,072,483	A	*	2/1978	Doyle, Jr.	55/372
D264,011	S	*	4/1982	Genoa	D32/31
4,800,614	A	*	1/1989	Kopco et al.	15/330
4,831,685	A	*	5/1989	Bosyj et al.	15/344
D314,848	S	*	2/1991	Foldes	D32/31
5,297,311	A	*	3/1994	Puri	15/347
D379,693	S	*	6/1997	Campbell et al.	D32/30
D400,323	S	*	10/1998	Scanlon et al.	D32/30
5,970,575	A	*	10/1999	Lee	15/328

D423,354	S	*	4/2000	Lin	D9/447
D437,466	S	*	2/2001	Song	D32/25
6,308,375	B1	*	10/2001	Whitney	15/347
D453,403	S	*	2/2002	Stephens et al.	D32/30
6,398,834	B2	*	6/2002	Oh	55/424

* cited by examiner

Primary Examiner—Ruth McInroy

(74) *Attorney, Agent, or Firm*—James F. Baird, Esq.

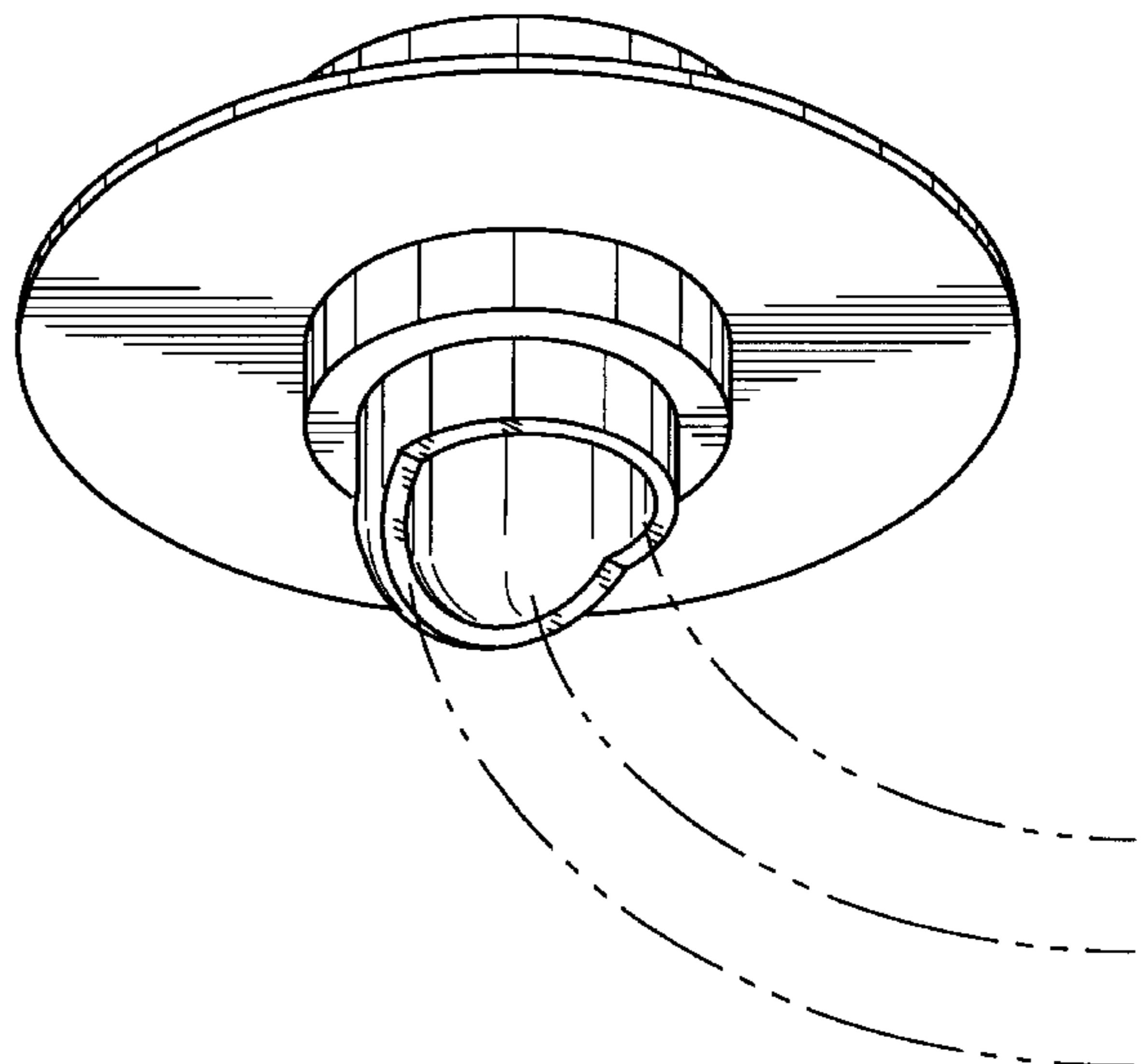
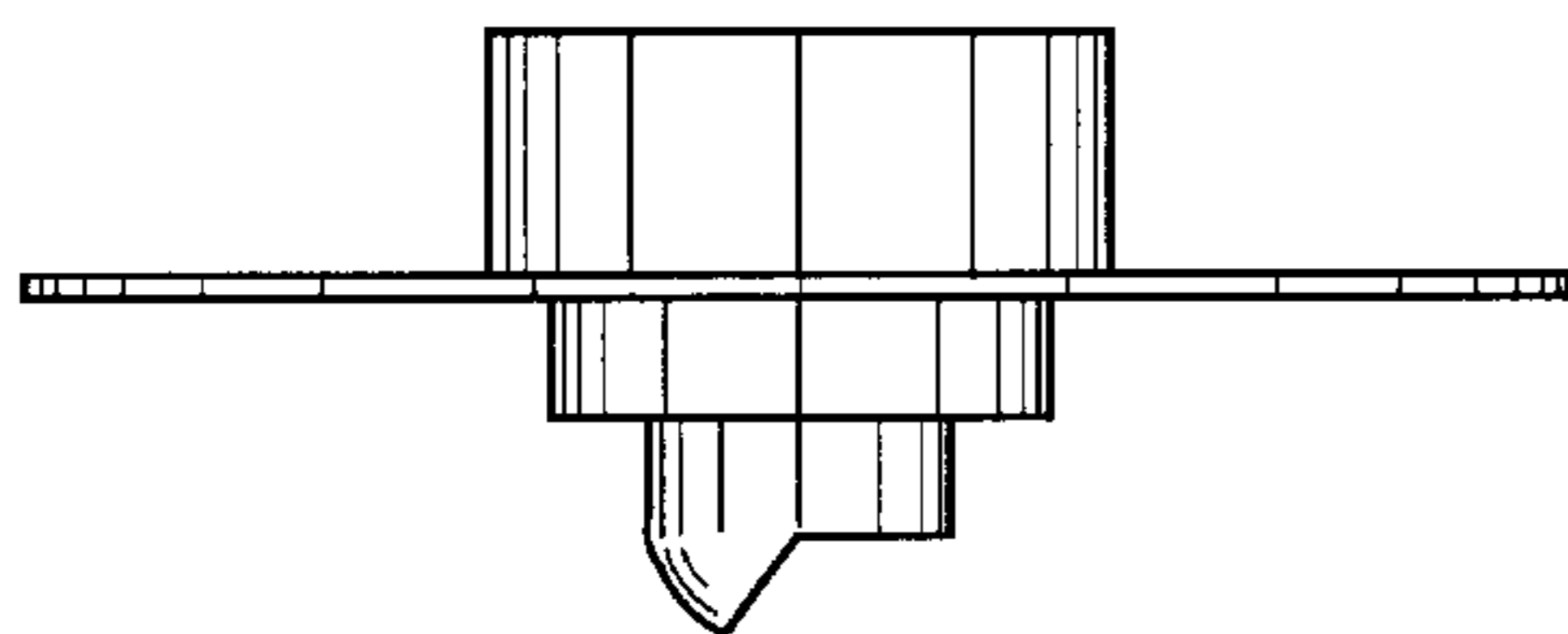
(57) **CLAIM**

The ornamental design for vacuum cleaner air flow enhancer, as shown and described.

DESCRIPTION

FIG. 1 is a perspective view of a vacuum cleaner air flow enhancer from a lower left angle, showing my new design; FIG. 2 is the top plan view thereof; FIG. 3 is the bottom plan view thereof; FIG. 4 is the left plan view thereof; FIG. 5 is the rear plan view thereof; FIG. 6 is the front plan view thereof; and, FIG. 7 is a perspective view of a vacuum cleaner air flow enhancer from a lower left angle. The broken line representations, indicating the flow of air, in FIG. 7 are for illustrative purposes only and form no part of the claimed design.

1 Claim, 4 Drawing Sheets



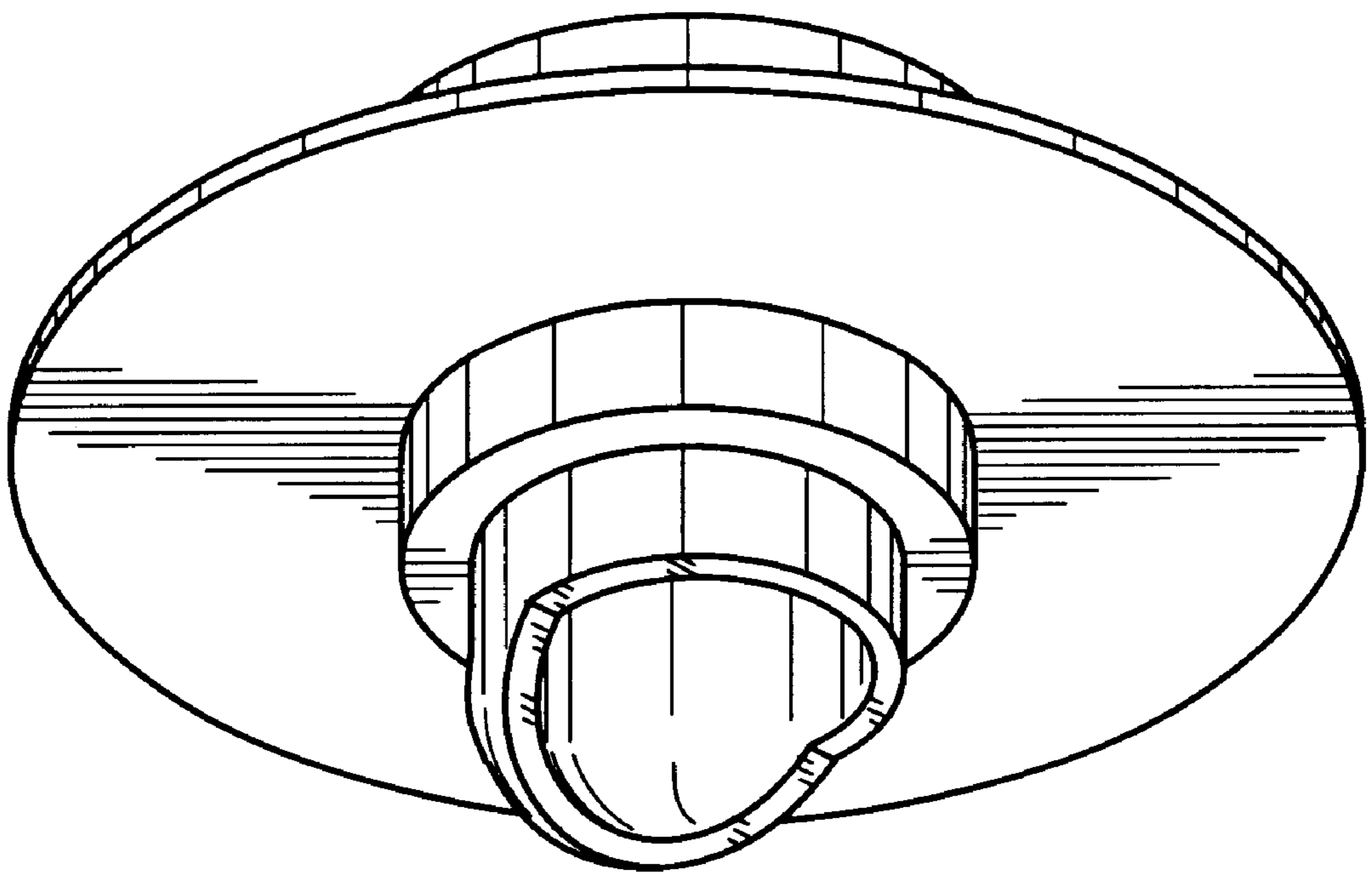


FIG. 1



FIG. 2

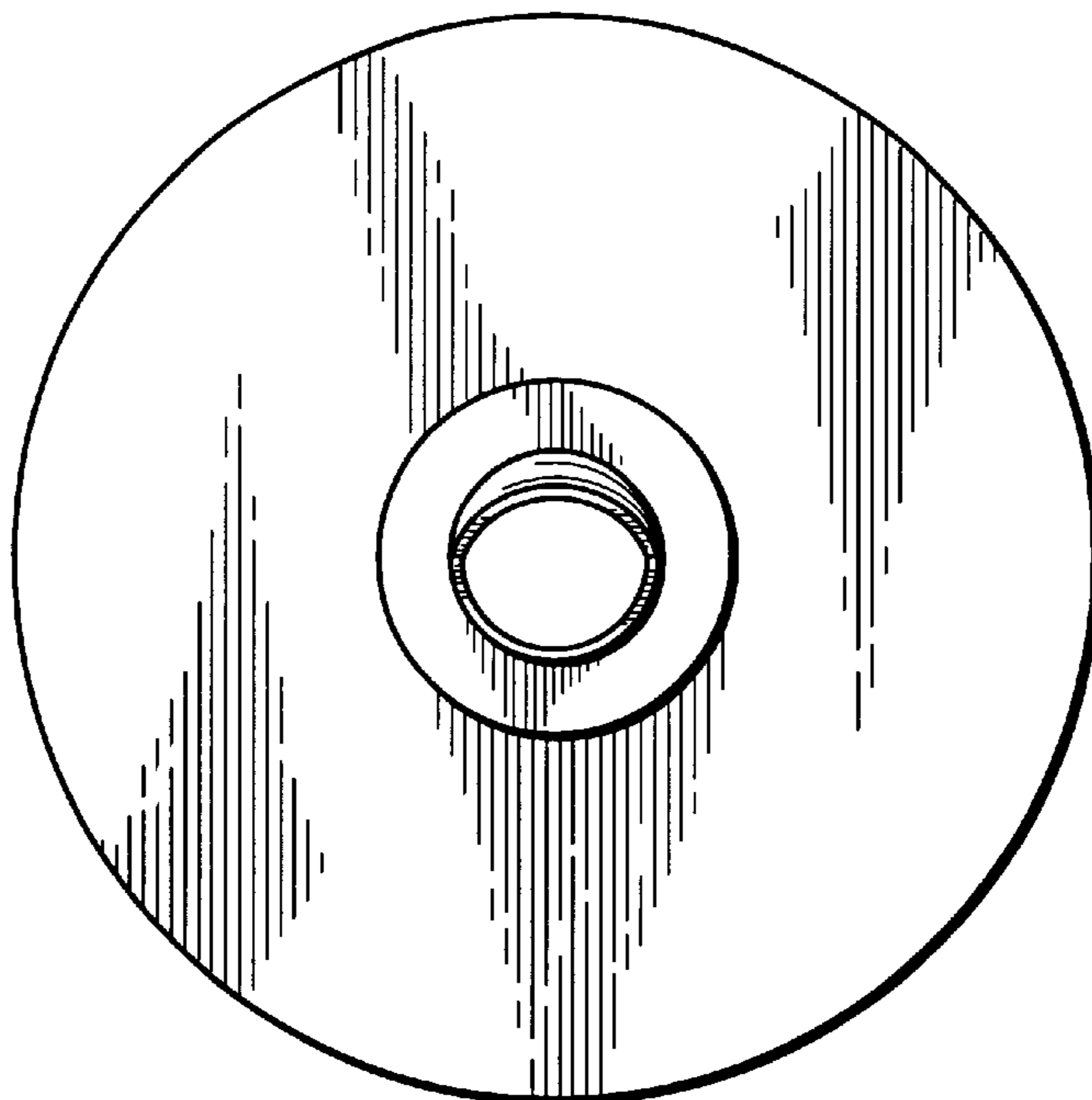


FIG. 3

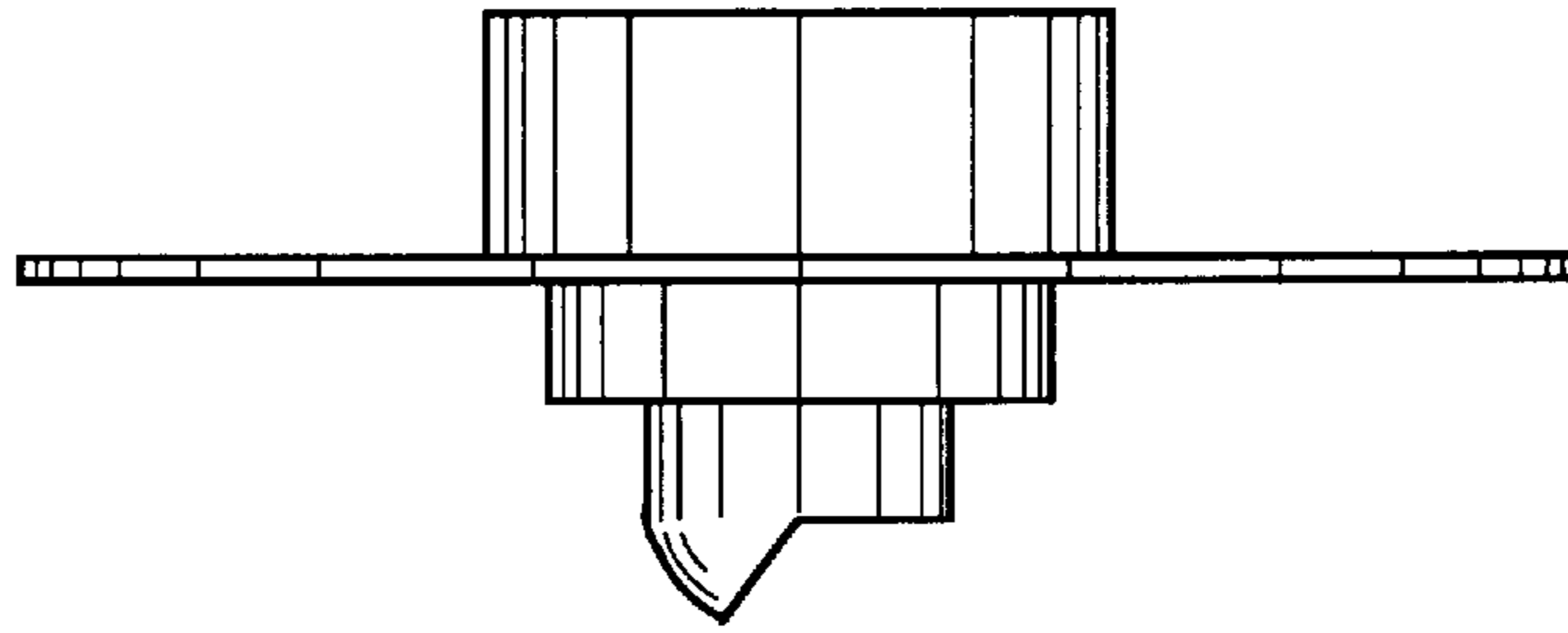


FIG. 4

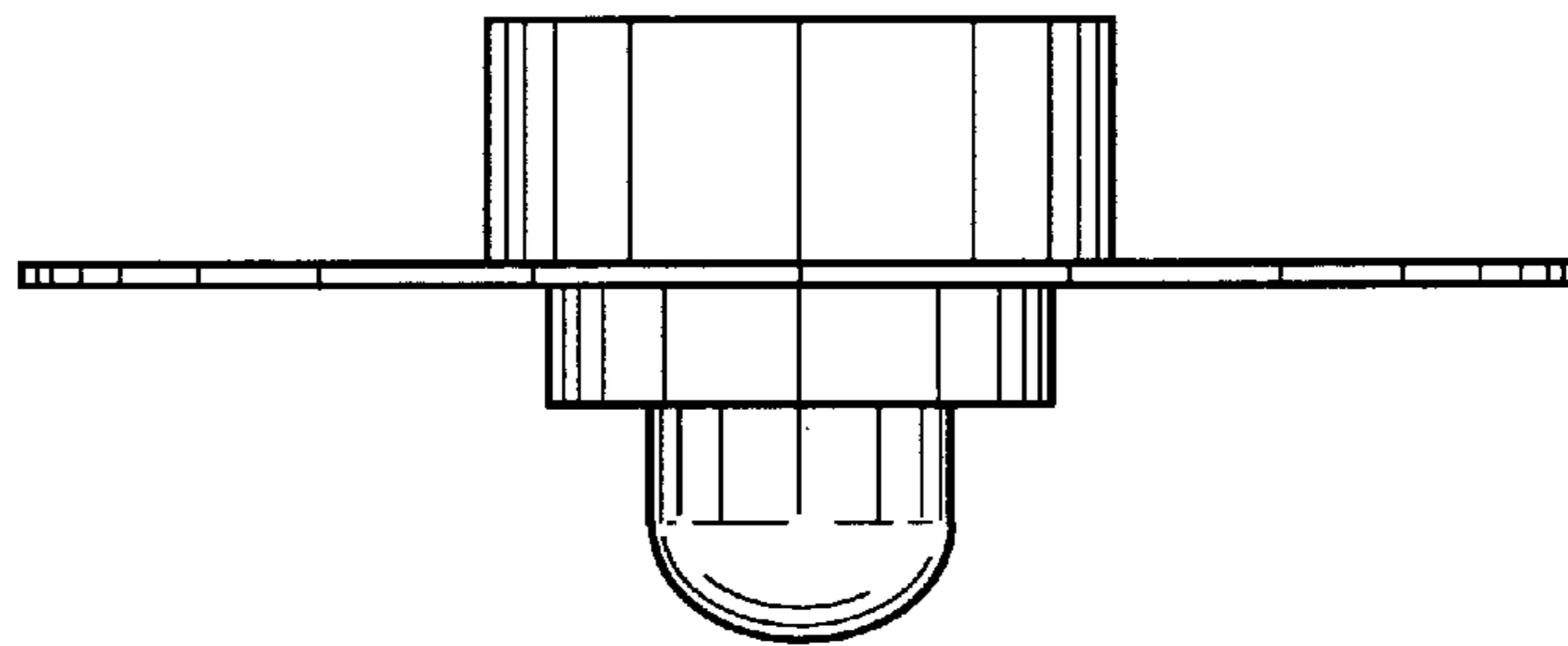


FIG. 5

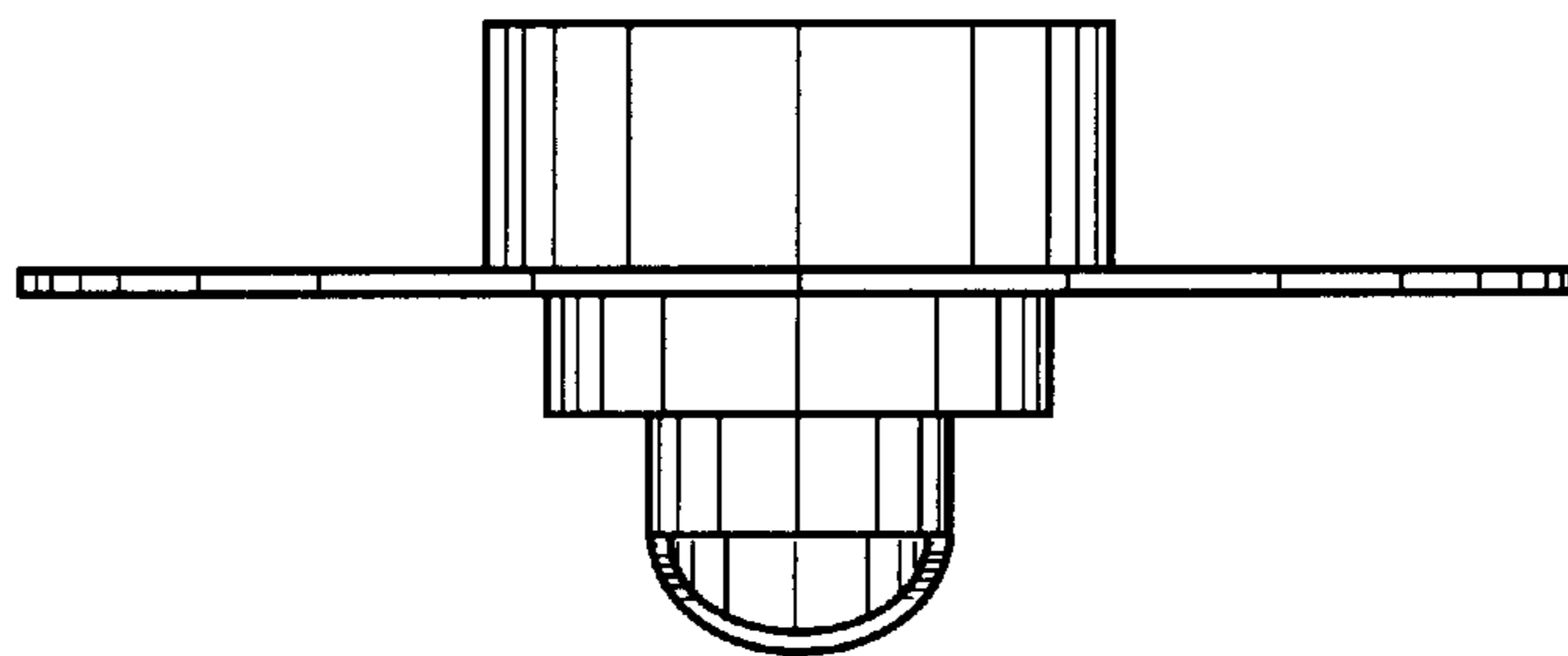


FIG. 6

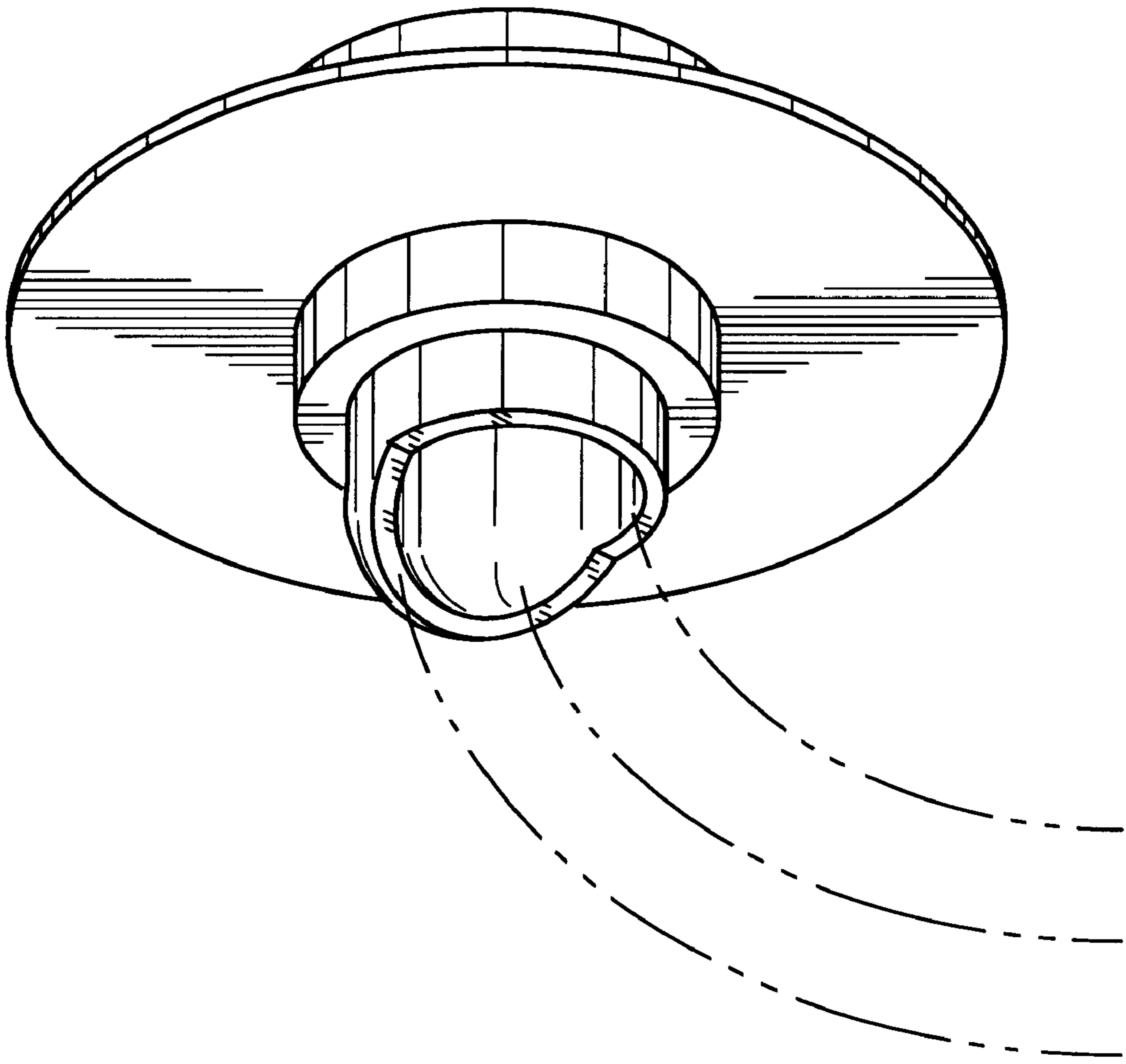


FIG. 7