



US00D468490S

(12) **United States Design Patent**  
**Childs**

(10) **Patent No.:** **US D468,490 S**

(45) **Date of Patent:** **\*\* Jan. 7, 2003**

(54) **MOUTH BIT TO PREVENT HORSES FROM CHEWING OR BITING**

3,766,711 A 10/1973 Lucas ..... 54/8  
5,809,939 A \* 9/1998 Robart et al. .... 54/8

(76) Inventor: **John Childs**, 11520 Durango La., Aqua Dulce, CA (US) 91350

\* cited by examiner

*Primary Examiner*—Pamela Burgess

(\*\*) Term: **14 Years**

(74) *Attorney, Agent, or Firm*—Dennis W. Beech

(21) Appl. No.: **29/132,998**

(57) **CLAIM**

(22) Filed: **Nov. 20, 2000**

The ornamental design for a mouth bit to prevent horses from chewing or biting, as shown and described.

(51) **LOC (7) Cl.** ..... **30-04**

**DESCRIPTION**

(52) **U.S. Cl.** ..... **D30/136**

(58) **Field of Search** ..... D30/136, 138, D30/145, 144, 151, 152, 137; 54/7-9; 119/833, 831, 832, 712, 905

FIG. 1 is a perspective view of the mouth bit to prevent horses from chewing and biting showing my new design; FIG. 2 is a side view of the invention thereof; FIG. 3 is a left end view thereof; FIG. 4 is a cross-sectional view thereof, taken along line "FIG. 4" in FIG. 2; FIG. 5 is a cross-sectional view thereof, taken along line "FIG. 5" in FIG. 2; FIG. 6 is a side view rotated 90 degrees from FIG. 2 thereof; FIG. 7 is a right end view thereof; FIG. 8 is a side view rotated 180 degrees from FIG. 2 thereof; and, FIG. 9 is a side view rotated 270 degrees from FIG. 2 thereof.

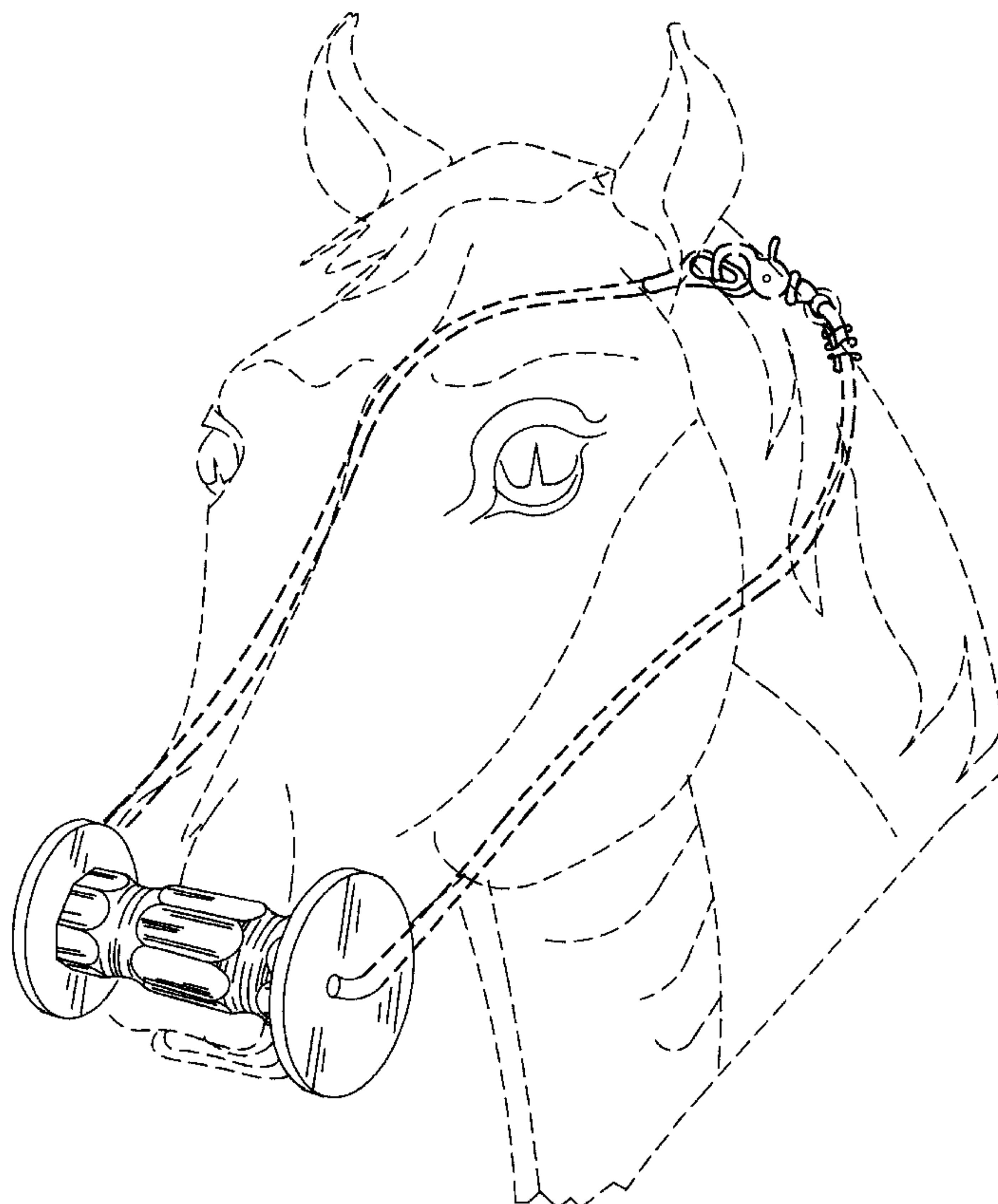
(56) **References Cited**

**U.S. PATENT DOCUMENTS**

267,989 A	11/1882	Deeds	
287,577 A	10/1883	Quinque	
453,932 A	6/1891	Lynch	
505,590 A	9/1893	Burvill-Holmes	
510,722 A	12/1893	Stombaugh	
526,538 A	9/1894	Redmond	
559,273 A	* 4/1896	Falls	54/8
623,333 A	* 4/1899	Payne	54/8
634,769 A	* 10/1899	Sell	54/8
1,188,366 A	6/1916	Albert	
2,056,493 A	10/1936	Steever	119/129
2,728,326 A	12/1955	Andrew	119/129

The broken line showing of the horse and strap in FIG. 1 is for illustrative purposes only and forms no part of the claimed design.

**1 Claim, 3 Drawing Sheets**



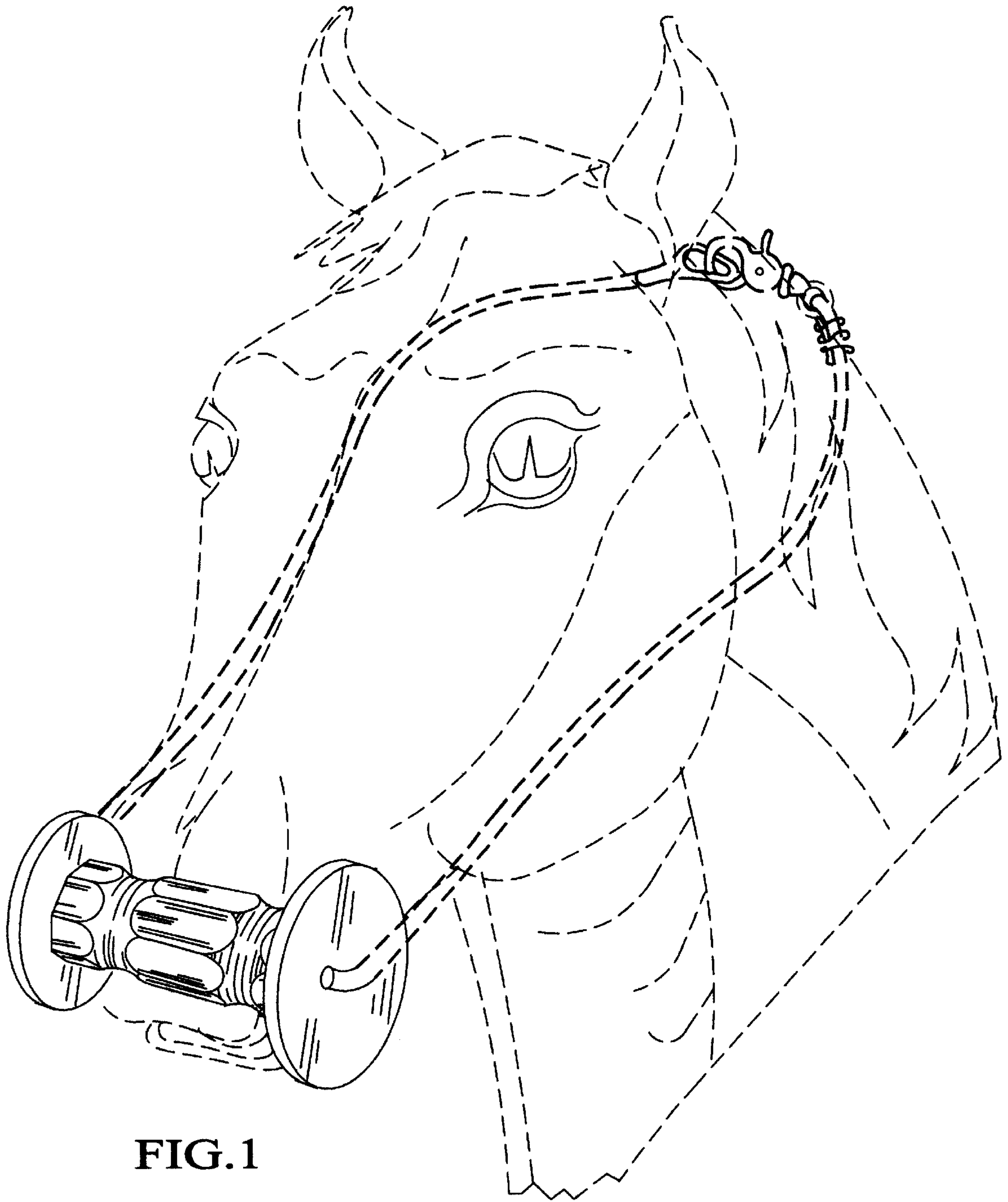
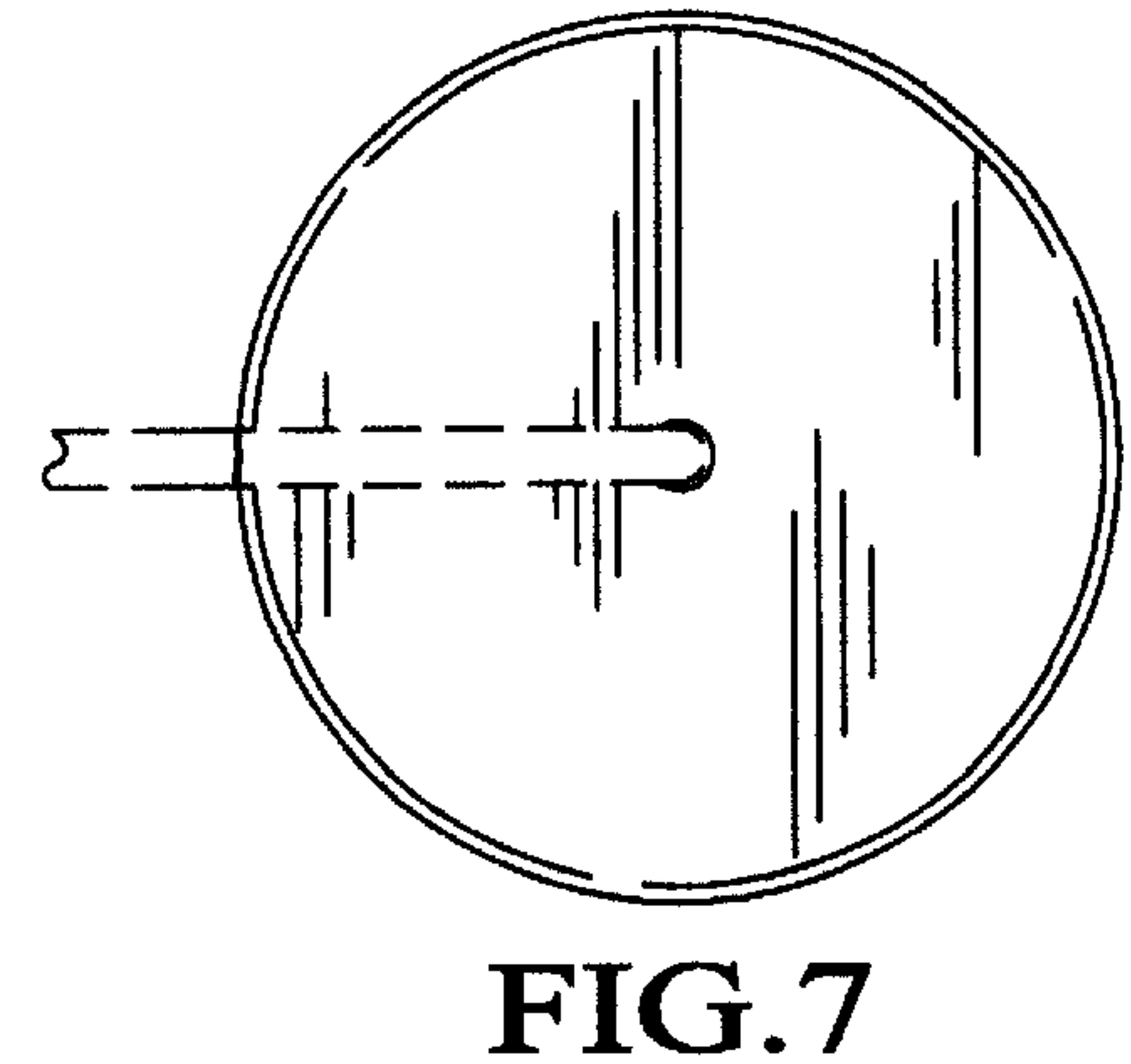
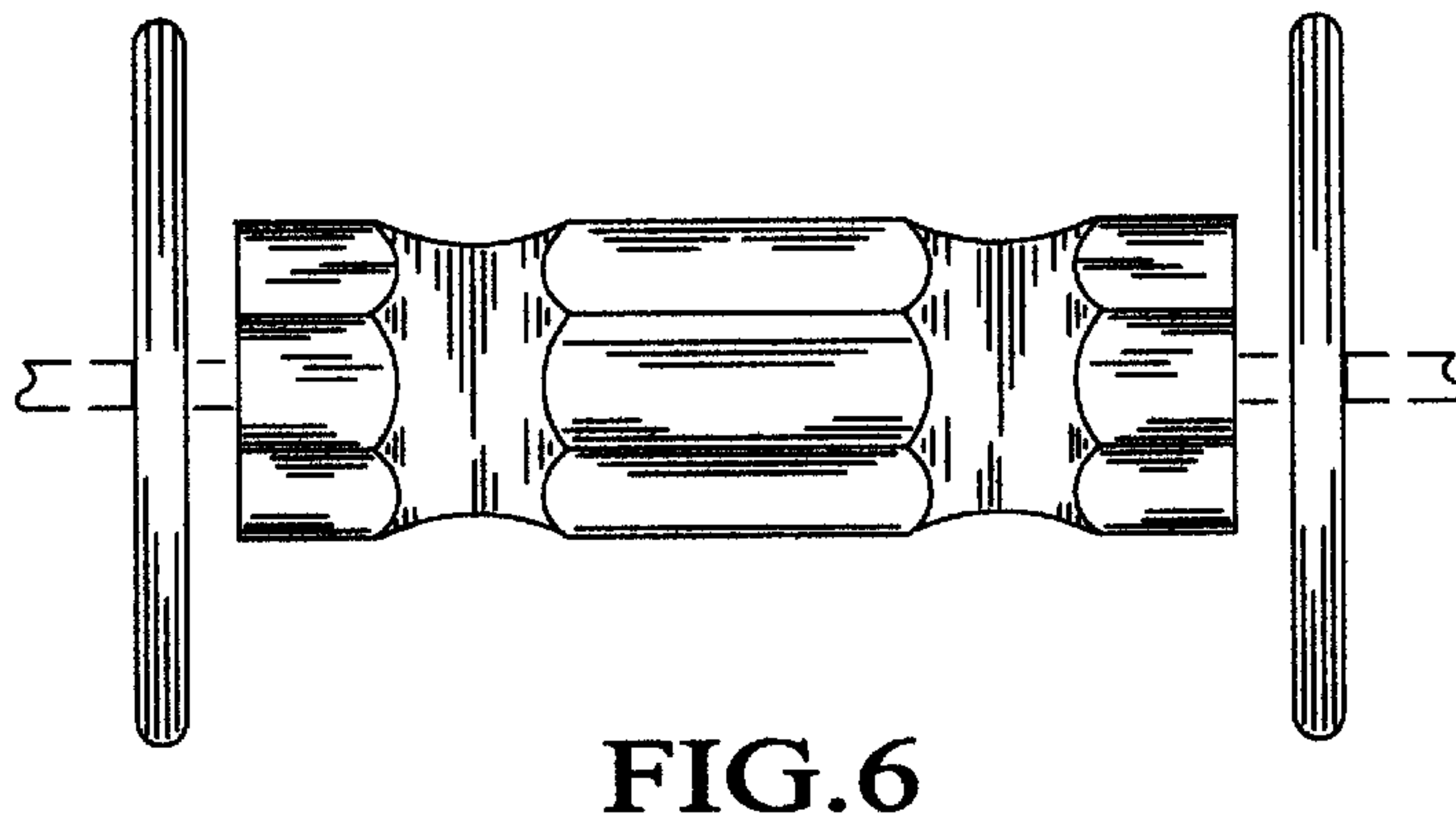
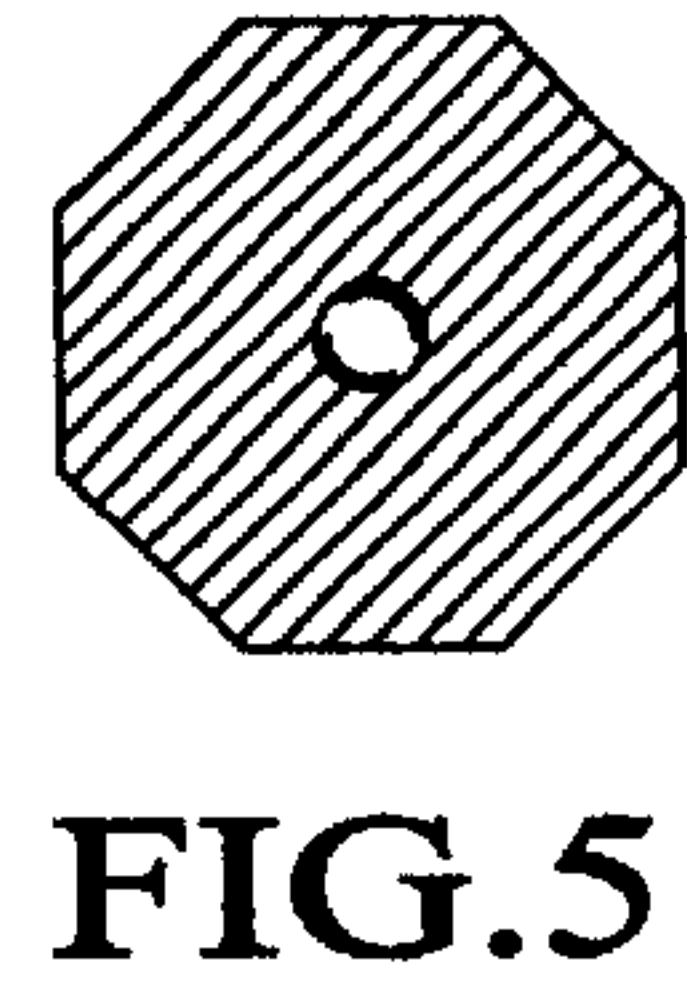
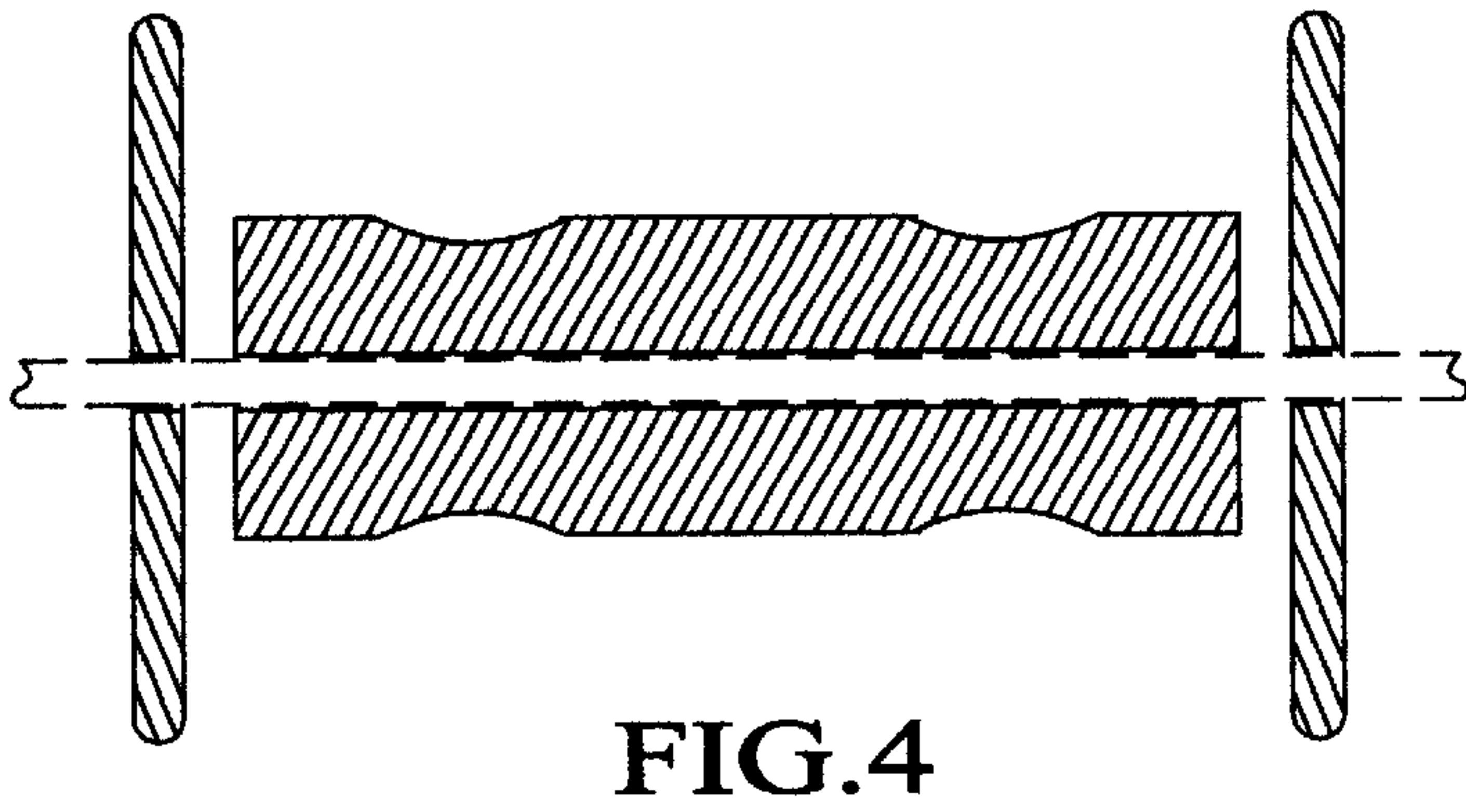
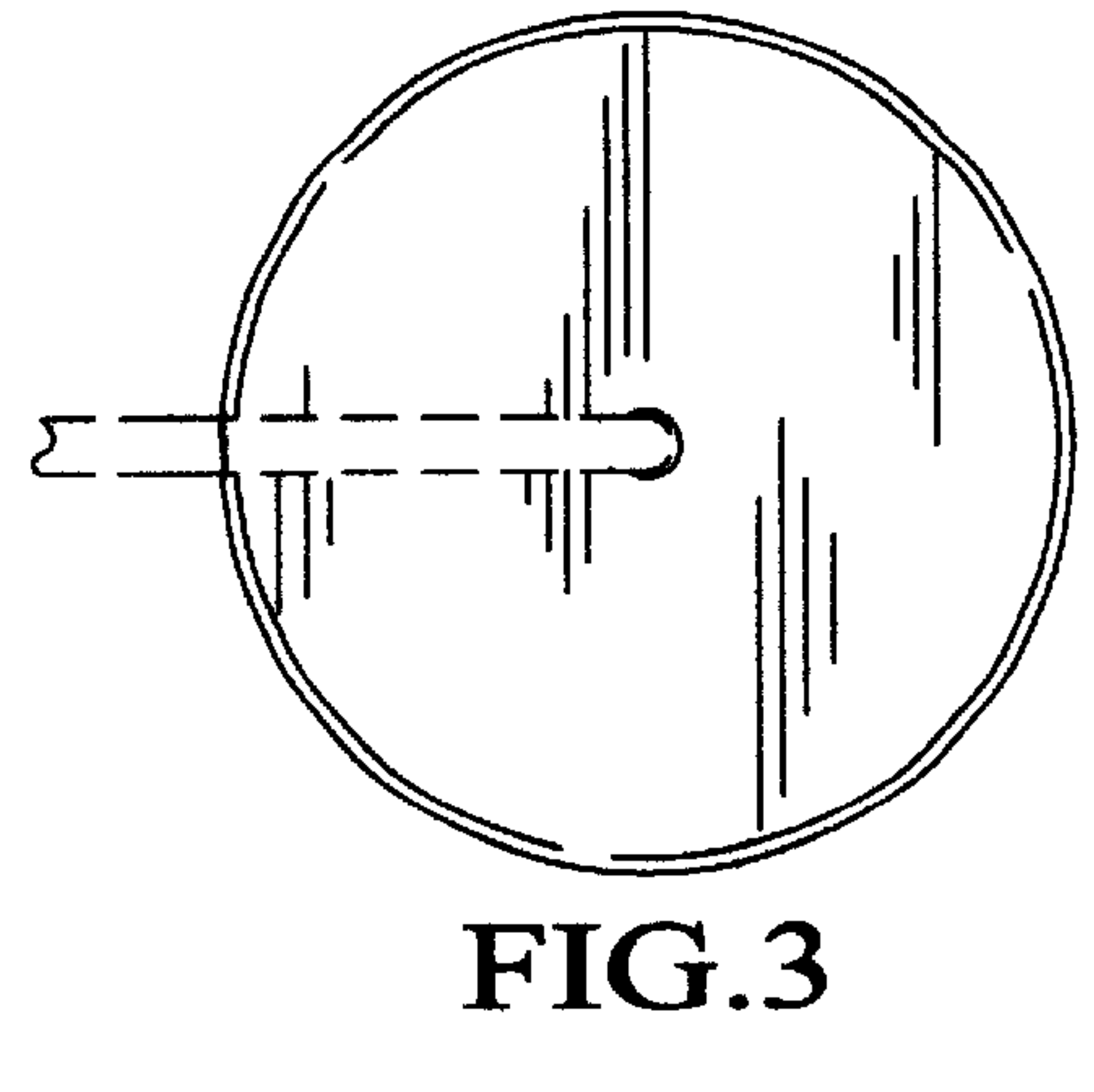
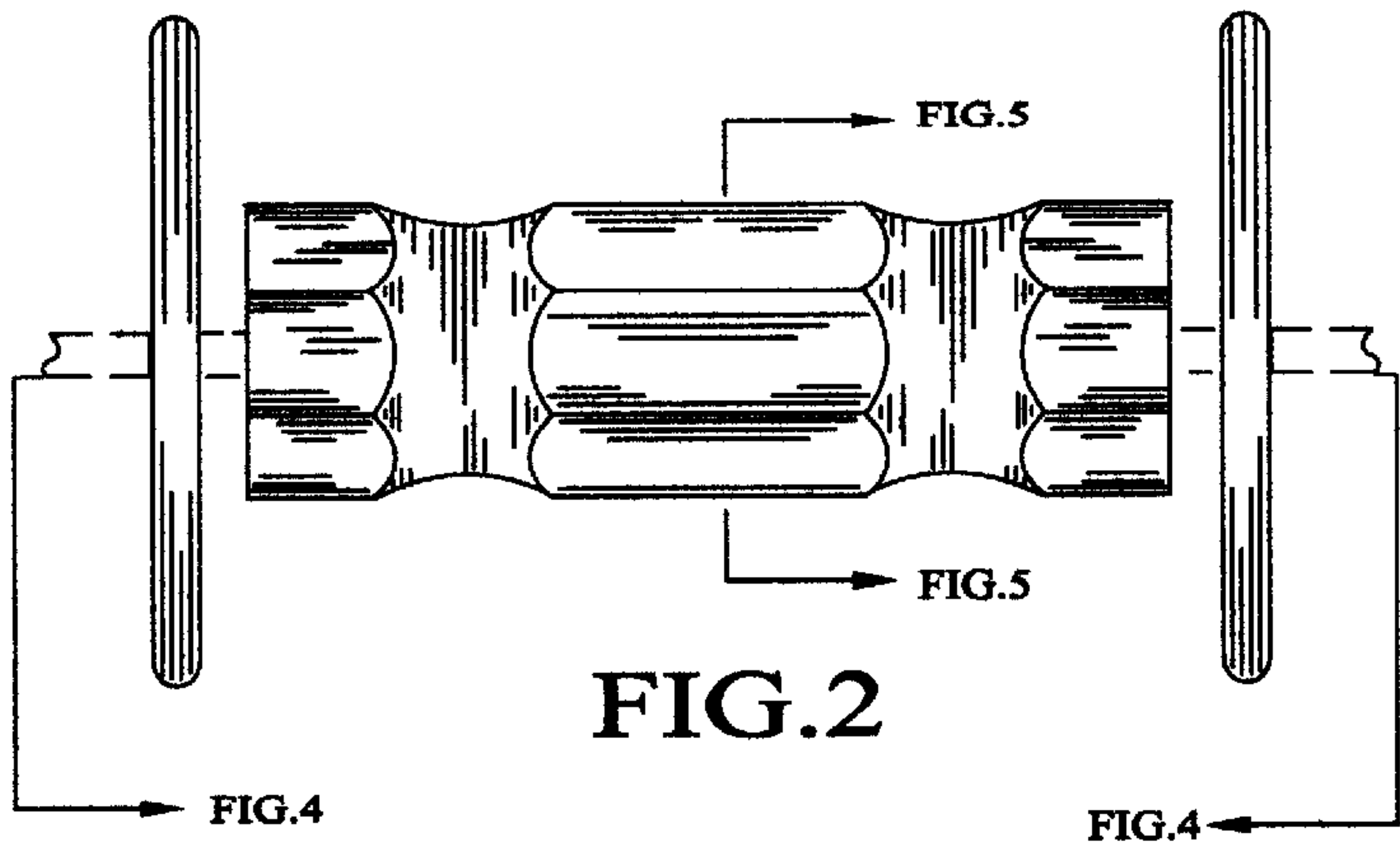
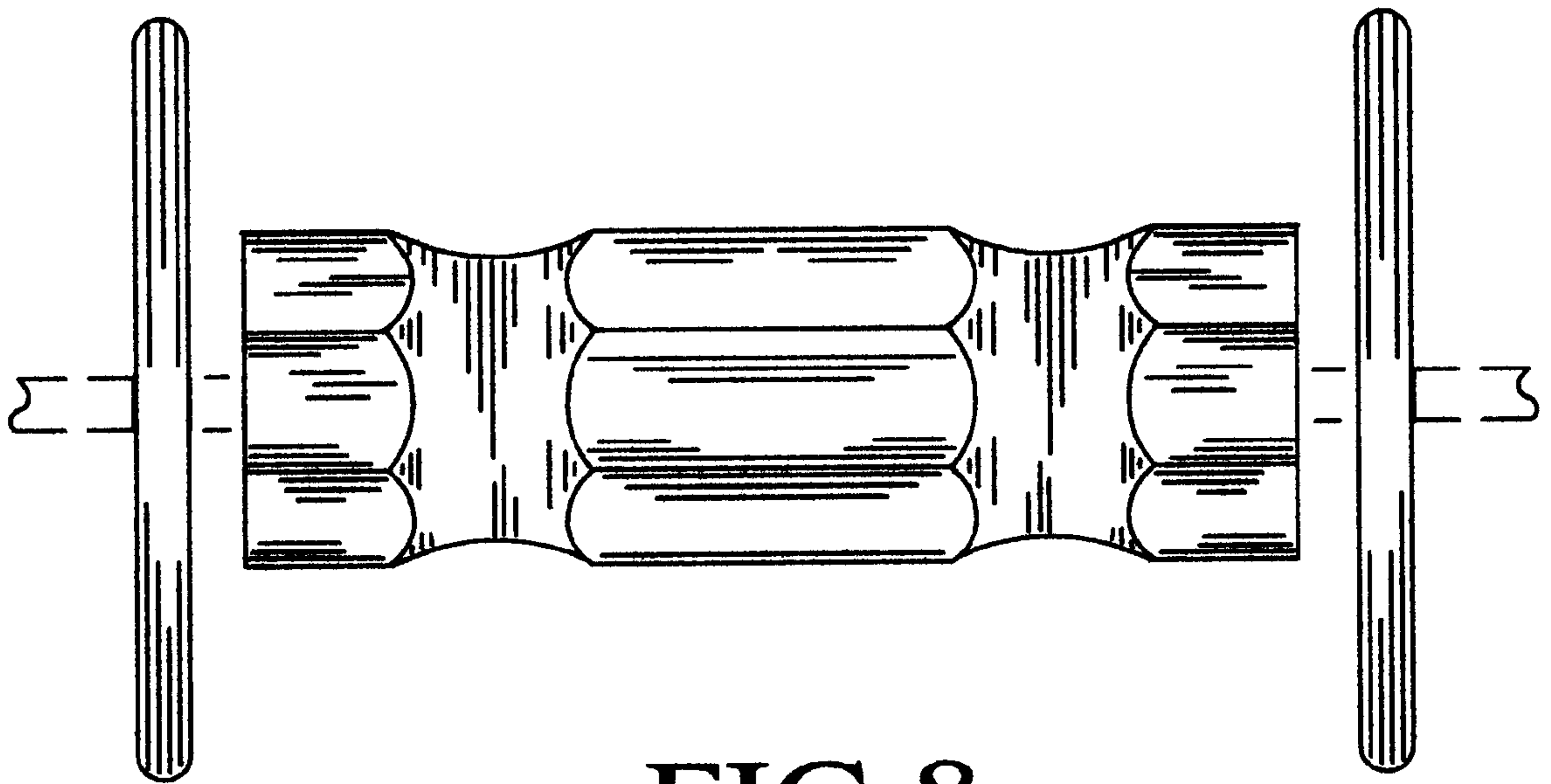
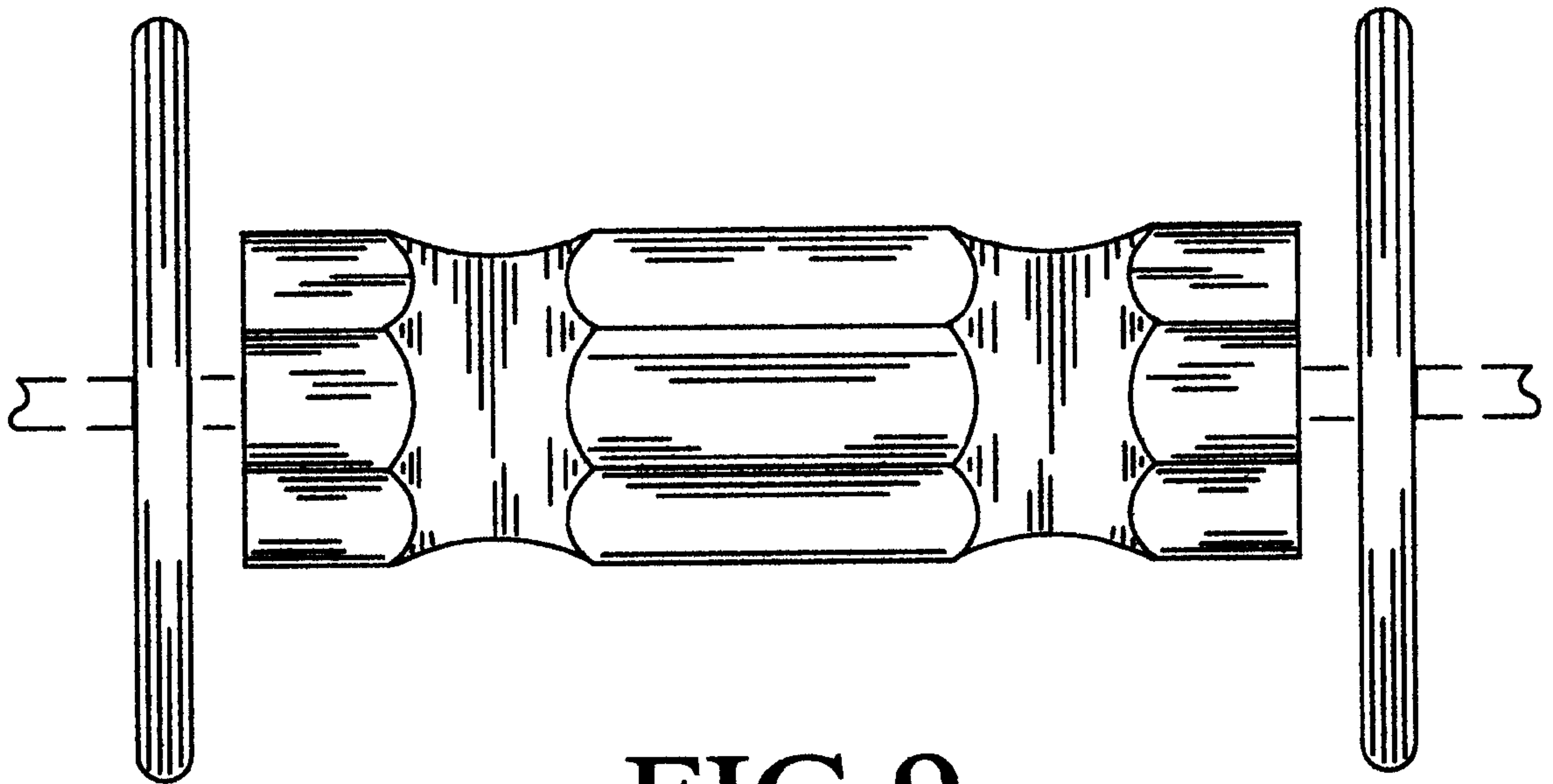


FIG.1





**FIG. 8**



**FIG. 9**