



US00D468489S

(12) **United States Design Patent**
Wechsler

(10) **Patent No.:** **US D468,489 S**

(45) **Date of Patent:** **** Jan. 7, 2003**

(54) **ANIMAL WATER DISPENSER**

Primary Examiner—Pamela Burgess

(76) **Inventor:** **Lawrence I. Wechsler**, One Wooleys
La., Great Neck, NY (US) 11023

(**) **Term:** **14 Years**

(21) **Appl. No.:** **29/158,248**

(22) **Filed:** **Mar. 28, 2002**

(51) **LOC (7) Cl.** **30-03**

(52) **U.S. Cl.** **D30/132; D30/133**

(58) **Field of Search** D30/133, 132,
D30/121, 122; D7/605, 608, 619; D24/199;
119/72-81, 51.5, 51.01, 51.03, 477; 211/74;
248/103-107

(56) **References Cited**

U.S. PATENT DOCUMENTS

4,762,086	A	*	8/1988	Atchley	119/477
D361,131	S	*	8/1995	Leopold	D24/199
5,636,597	A	*	6/1997	Van Curen et al.	119/720
D423,736	S	*	4/2000	O'Rourke et al.	D30/132

* cited by examiner

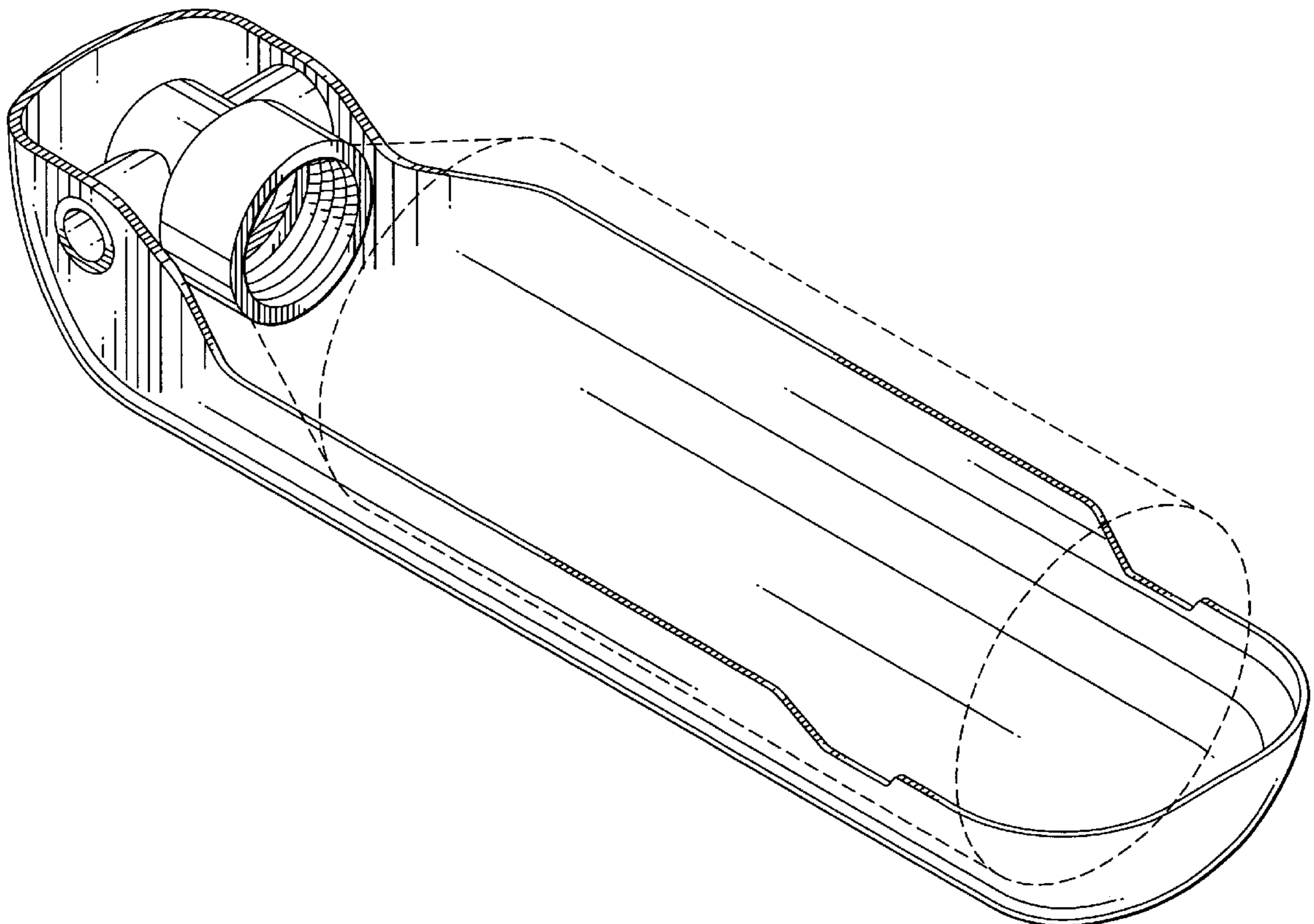
(57) **CLAIM**

The ornamental design for an animal water dispenser, as shown and described.

DESCRIPTION

FIG. 1 is a top perspective view of an animal water dispenser showing my new design, the broken lines are for illustrative purposes only and form no part of the claimed design; FIG. 2 is a top perspective view thereof, showing the opposite side of FIG. 1; FIG. 3 is a top plan view thereof; FIG. 4 is a side elevational view thereof; FIG. 5 is a side elevational view thereof, opposite of FIG. 4; FIG. 6 is a bottom plan view thereof; FIG. 7 is an end elevational view thereof; and, FIG. 8 is an end elevational view thereof, opposite of FIG. 7.

1 Claim, 5 Drawing Sheets



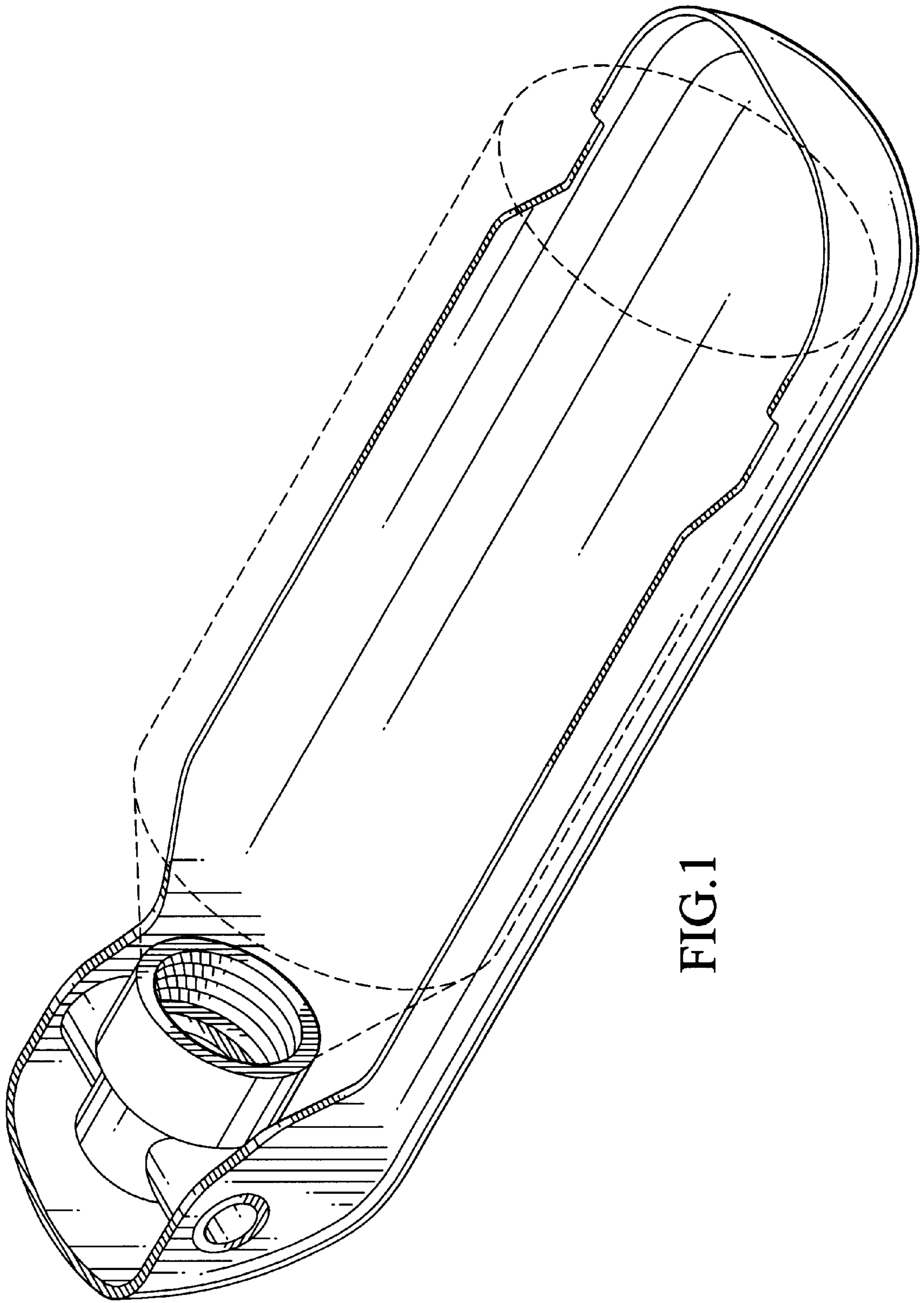


FIG. 1

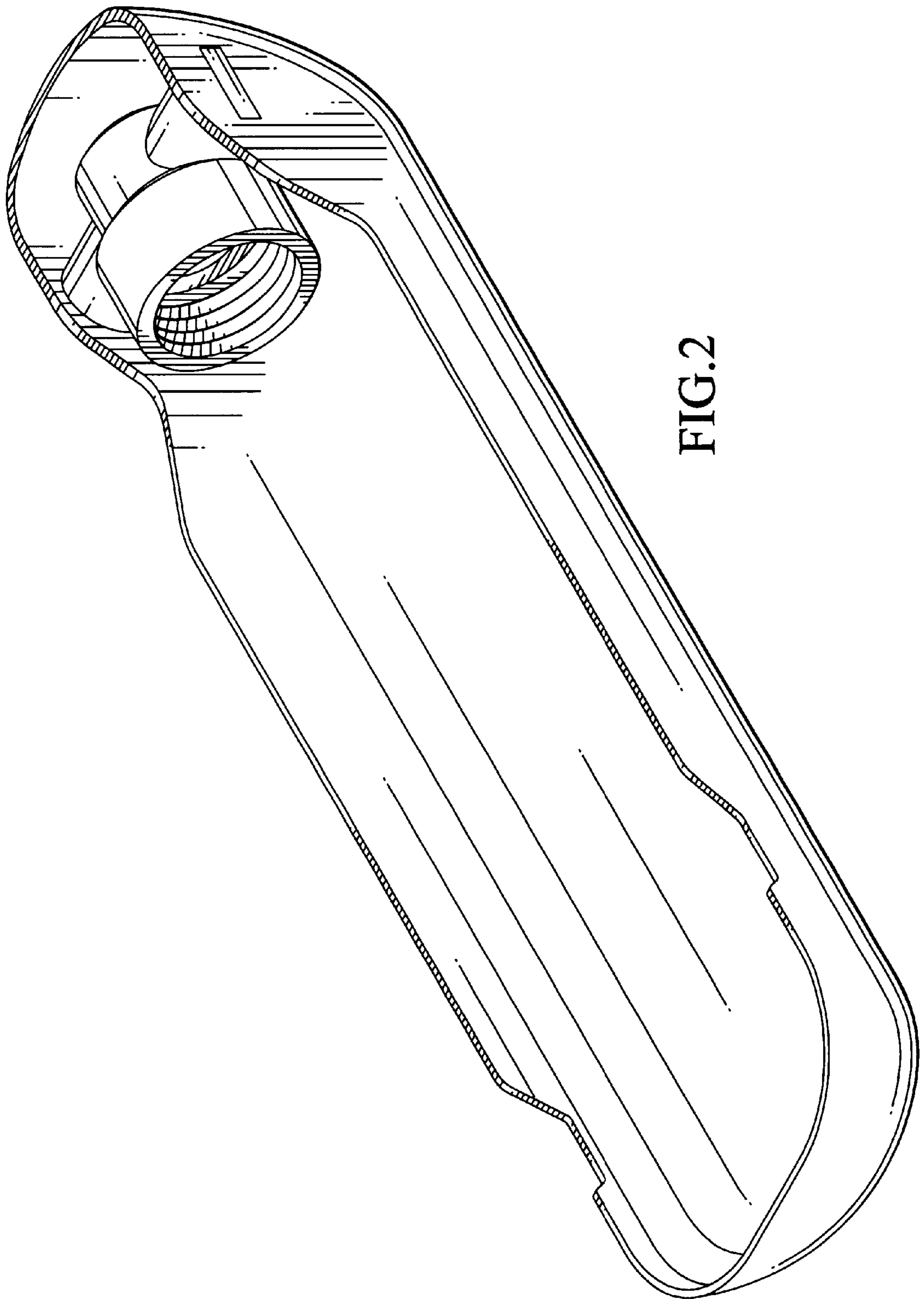


FIG. 2

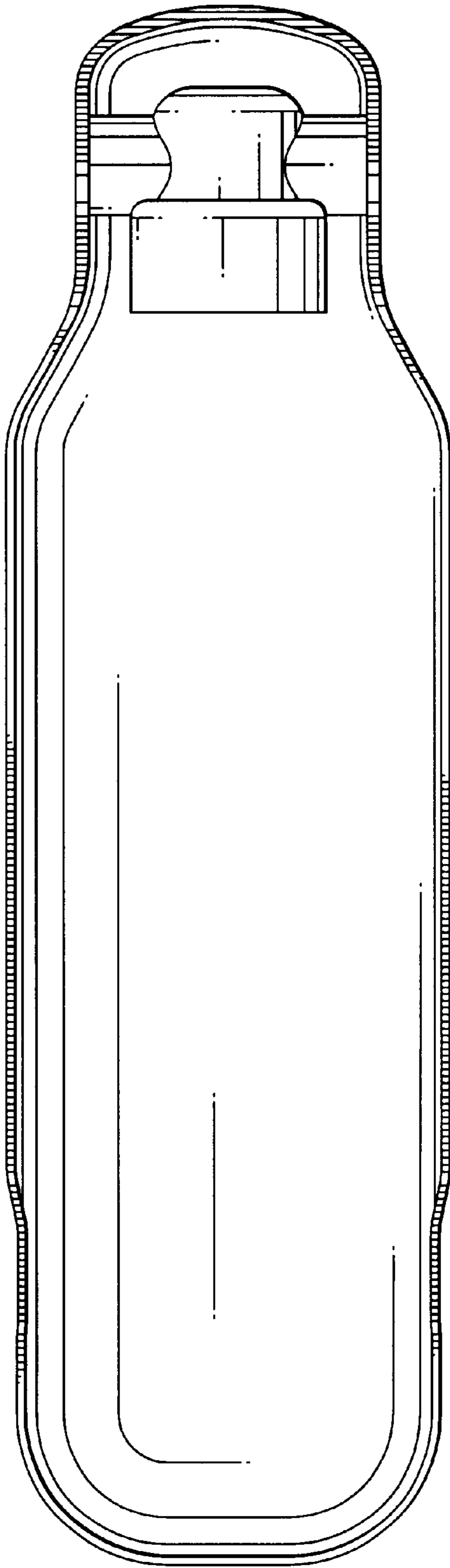


FIG. 3

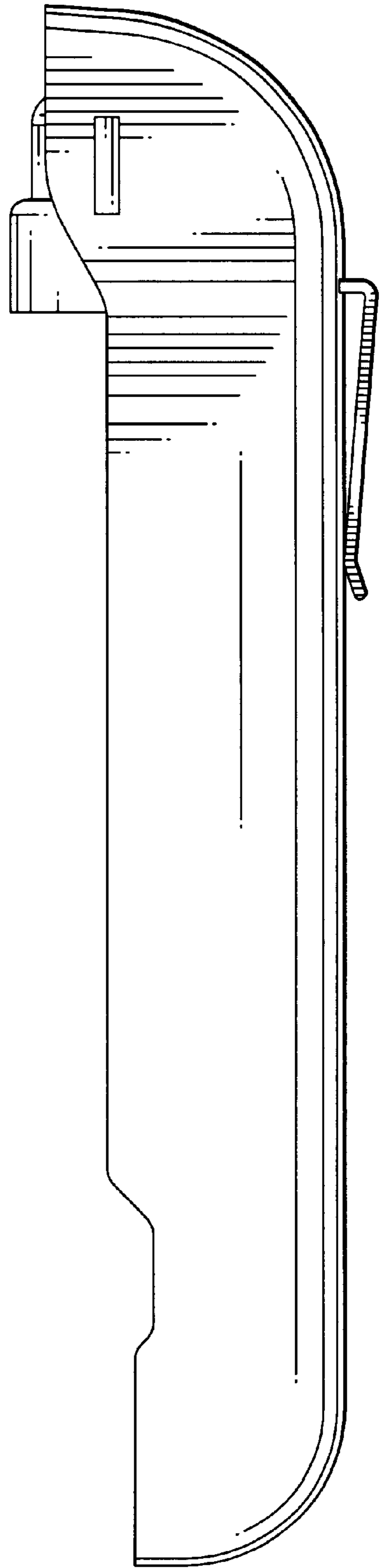


FIG. 4

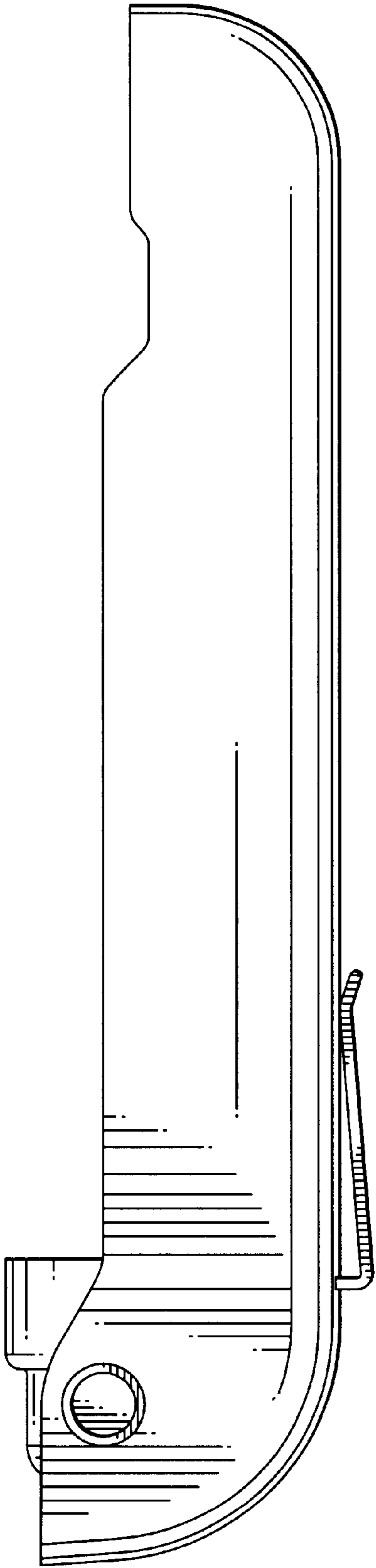


FIG. 5

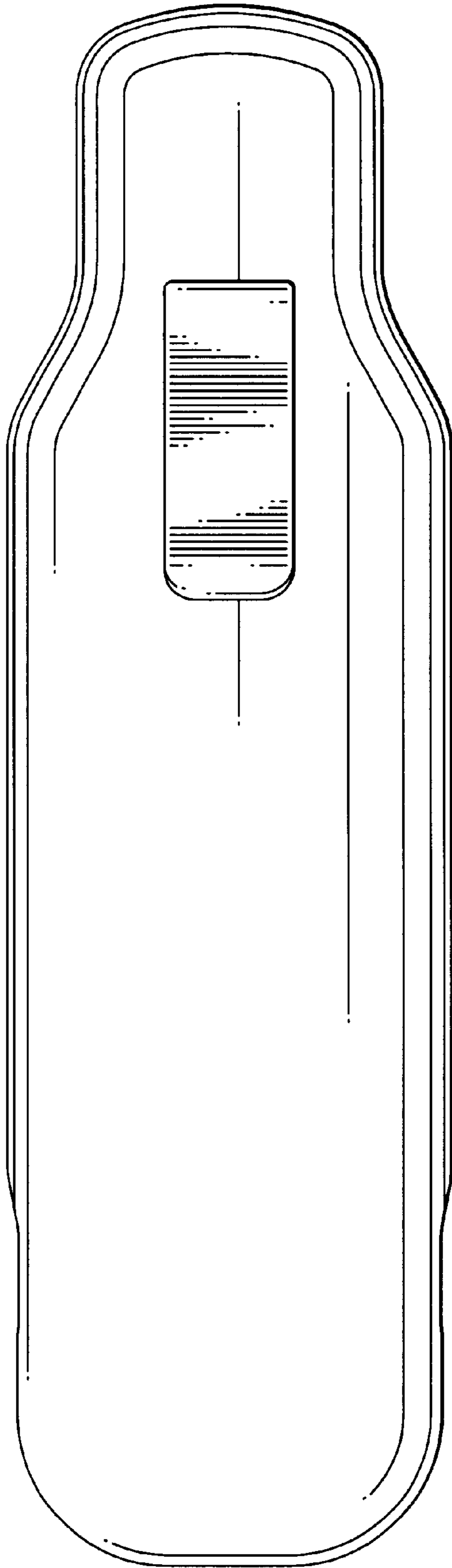


FIG. 6

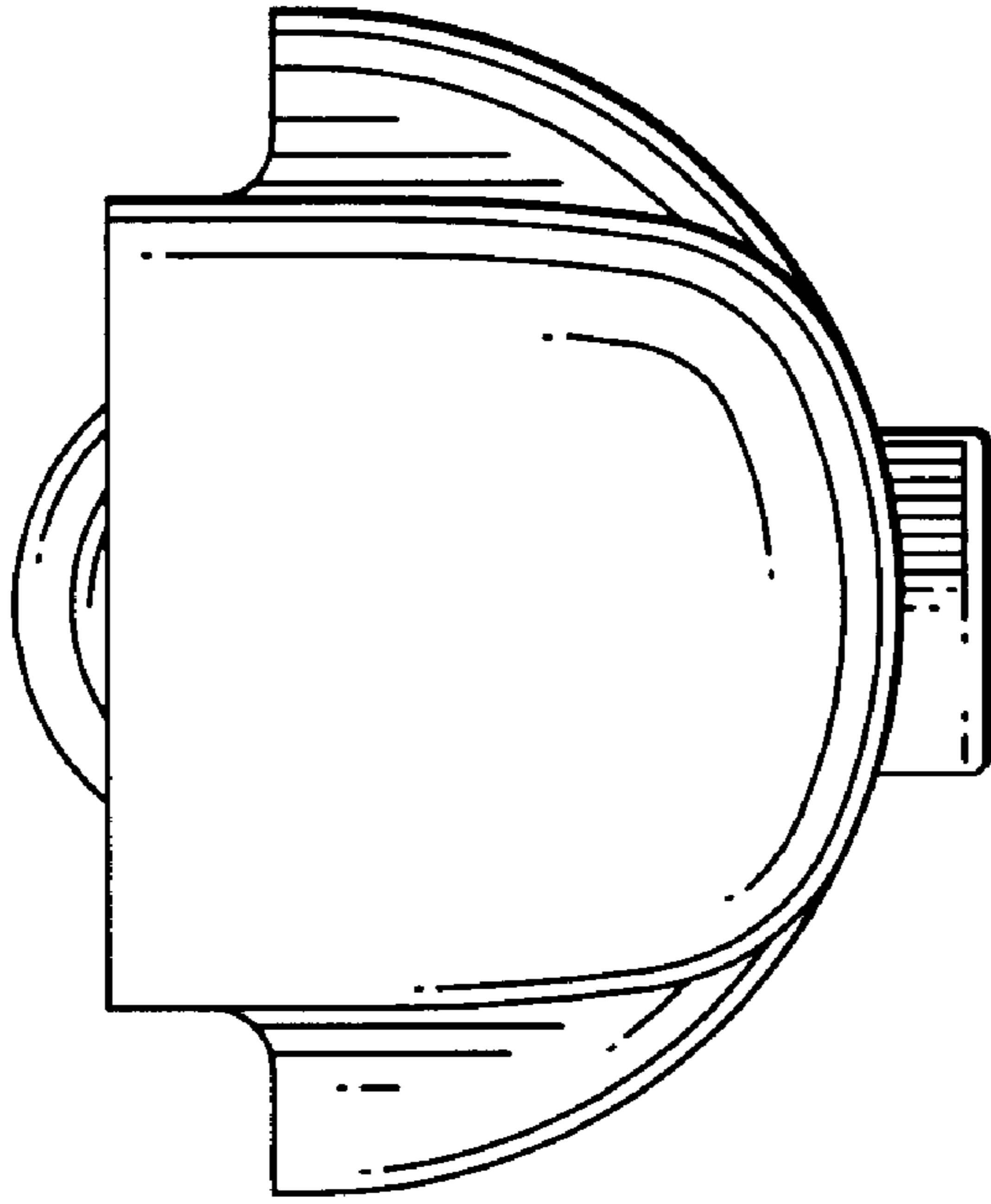


FIG. 8

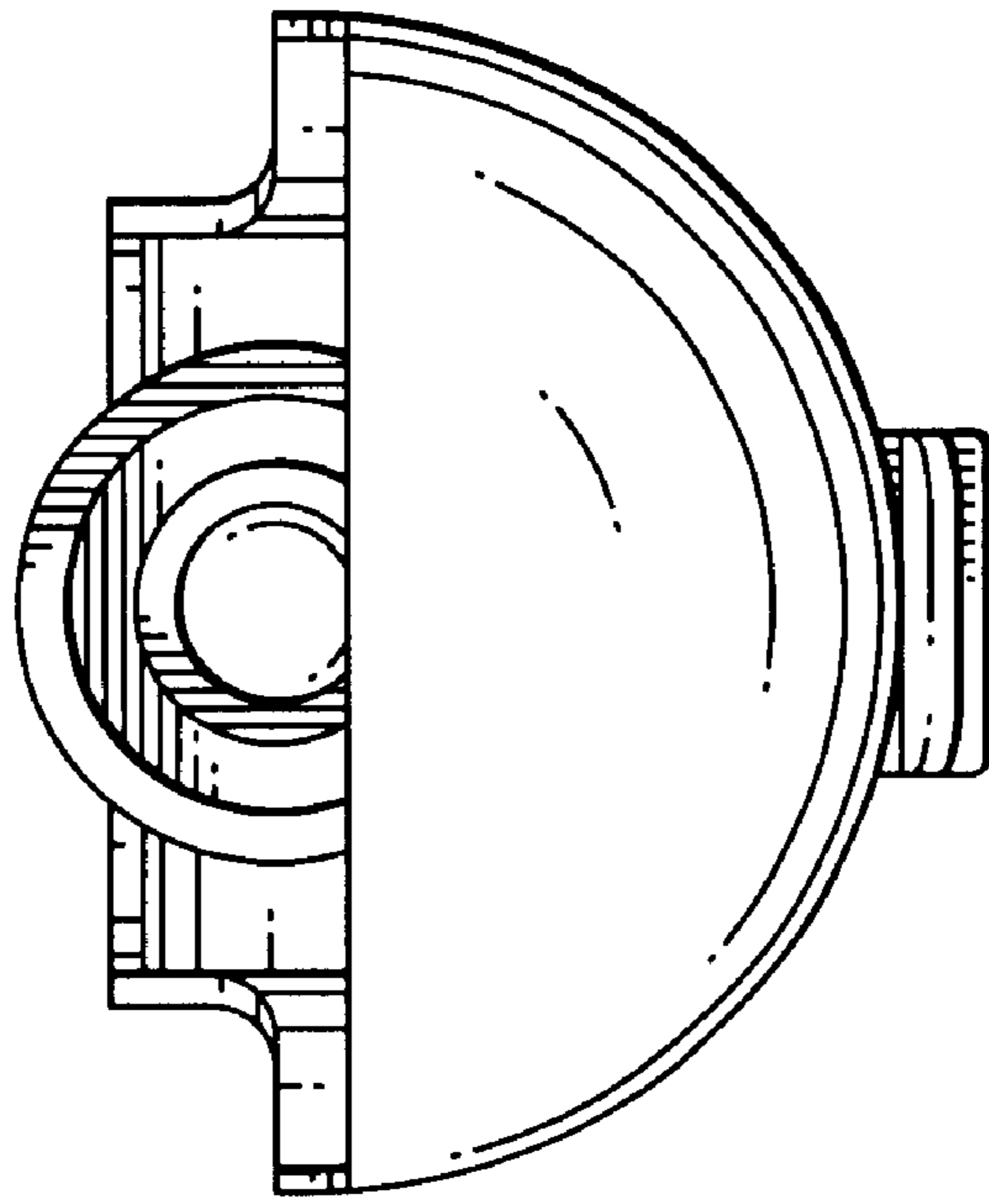


FIG. 7