



US00D468485S

(12) **United States Design Patent**
Love

(10) **Patent No.:** **US D468,485 S**

(45) **Date of Patent:** **** Jan. 7, 2003**

(54) **COMBINATION NAIL FILE AND BUFFER**

2,356,910 A * 8/1944 Bailey 451/556
2,376,946 A * 5/1945 Stinson 132/76.5
3,154,893 A * 11/1964 Greenberg et al. 451/540

(76) Inventor: **Patricia A. Love**, Sharon Village
Condominiums, Unit 10, 594 Moull St.,
Newark, OH (US) 43055

* cited by examiner

(**) Term: **14 Years**

Primary Examiner—Ted Shooman

Assistant Examiner—C. Tuttle

(21) Appl. No.: **29/161,880**

(74) *Attorney, Agent, or Firm*—Gallagher & Dawsey Co.
LPA; David J. Dawsey; Michael J. Gallagher

(22) Filed: **Jun. 5, 2002**

(57) **CLAIM**

(51) **LOC (7) Cl.** **28-03**

The ornamental design for a combination nail file and buffer,
as shown.

(52) **U.S. Cl.** **D28/59**

(58) **Field of Search** D28/56, 57, 59,
D28/61, 21, 22, 25, 30; D8/90–94; 132/73,
73.5, 75, 75.3, 75.6, 76.2, 76.4, 76.5

DESCRIPTION

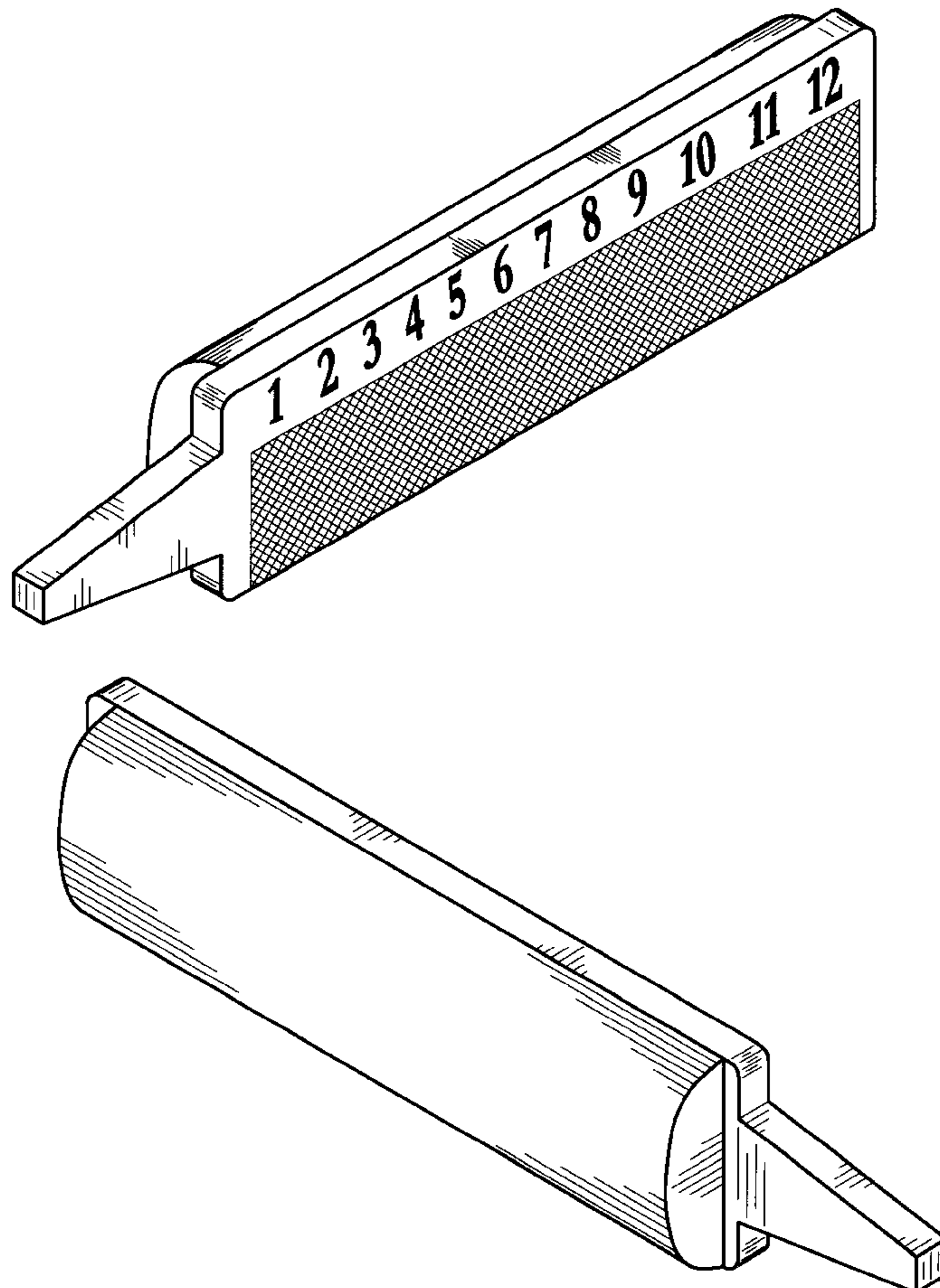
(56) **References Cited**

FIG. 1 is a front perspective view of a combination nail file
and buffer showing my new design;
FIG. 2 is a rear perspective view thereof;
FIG. 3 is a front side elevation view thereof;
FIG. 4 is a rear side elevation view thereof;
FIG. 5 is a left side elevation view thereof;
FIG. 6 is a right side elevation view thereof;
FIG. 7 is a top plan view thereof; and,
FIG. 8 is a bottom plan view thereof.

U.S. PATENT DOCUMENTS

185,424 A * 12/1876 Barker 451/557
445,212 A * 1/1891 West 451/503
848,345 A * 3/1907 Buzzell 132/75.6
D53,260 S * 4/1919 Tobel D8/17
D101,400 S * 9/1936 Riley D28/25
2,055,219 A * 9/1936 Perrine 132/76.4
D116,039 S * 8/1939 Madsen D28/35
D137,721 S * 4/1944 Torian D28/25

1 Claim, 2 Drawing Sheets



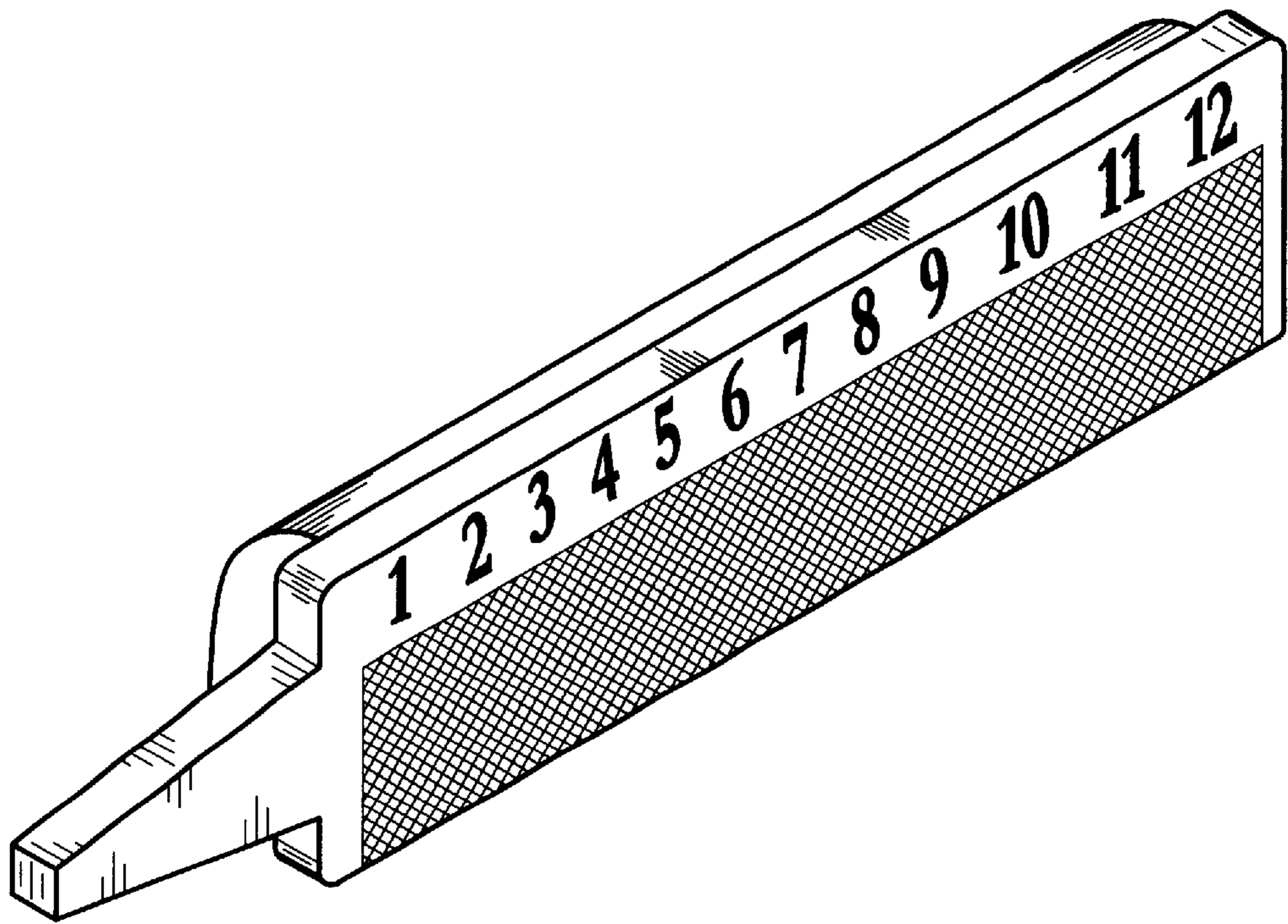


FIG. 1

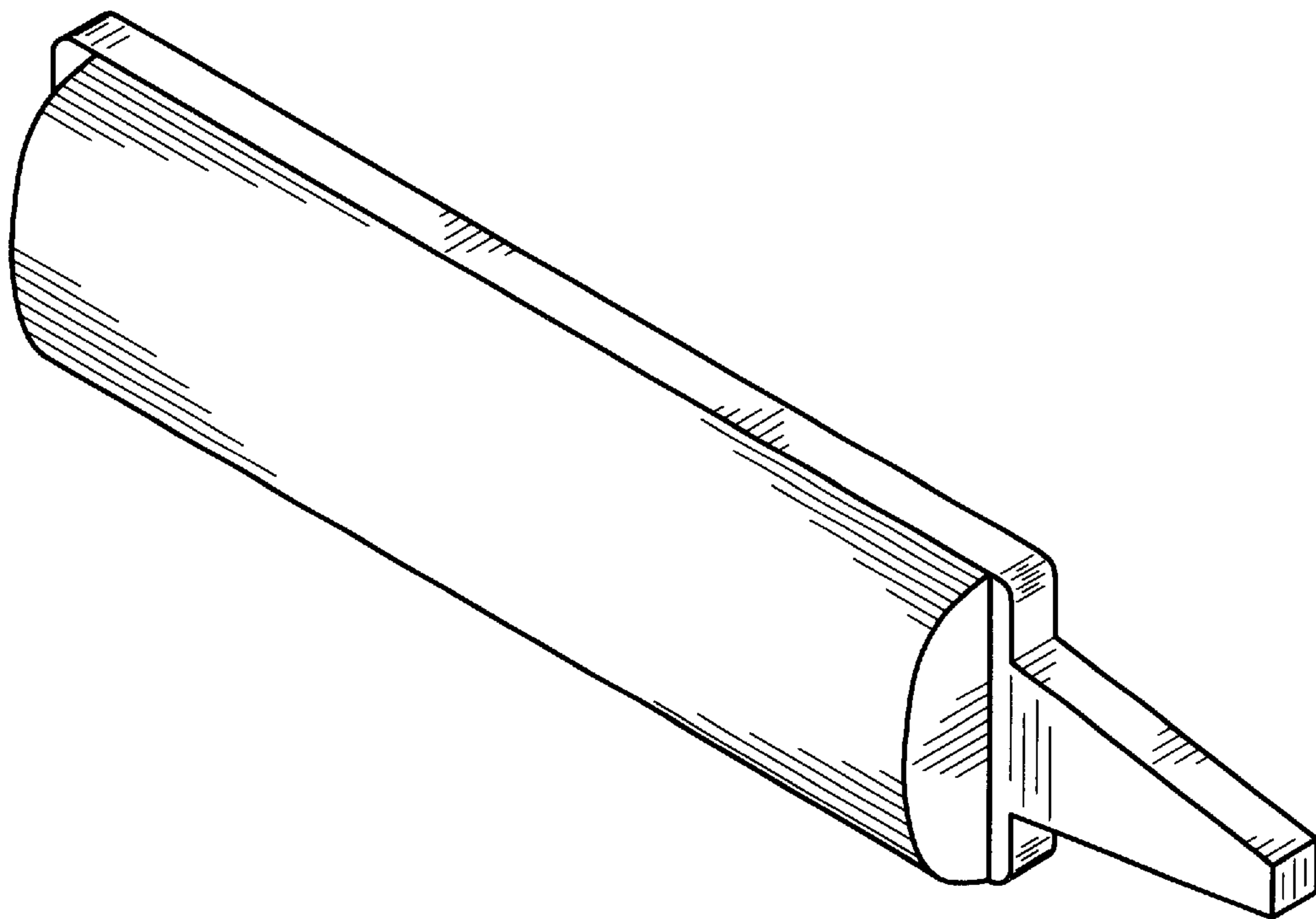


FIG. 2

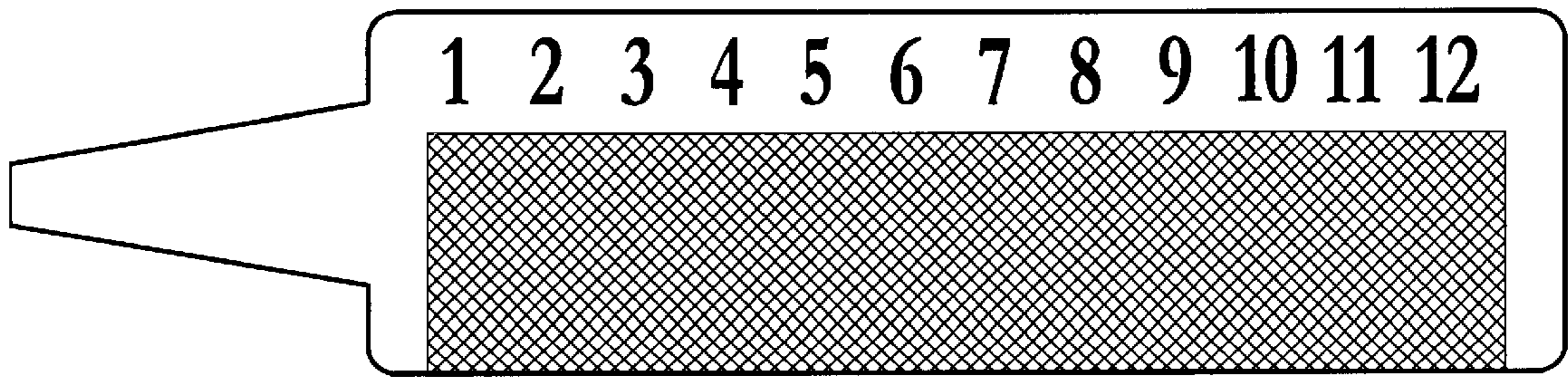


FIG. 3

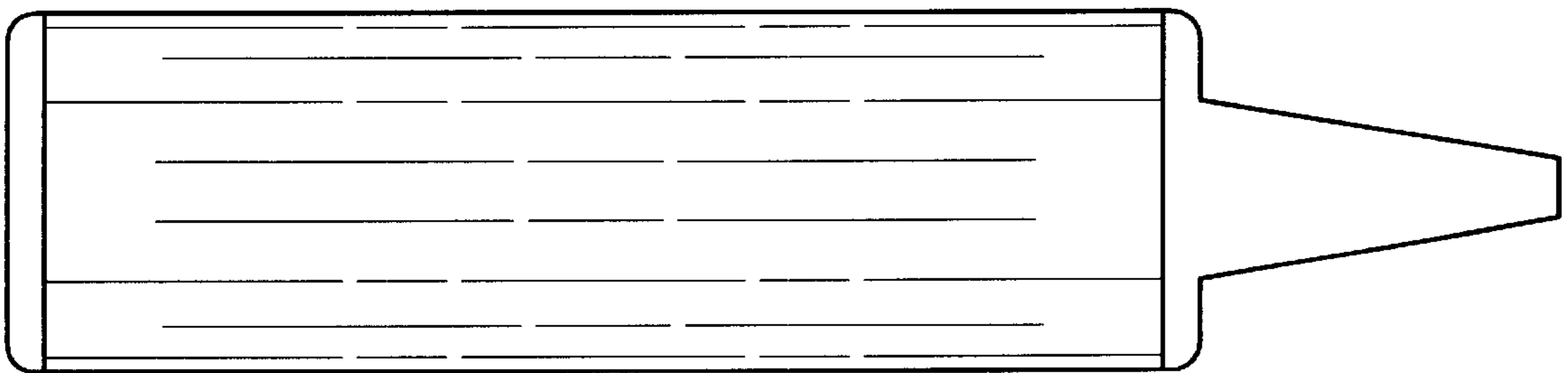


FIG. 4

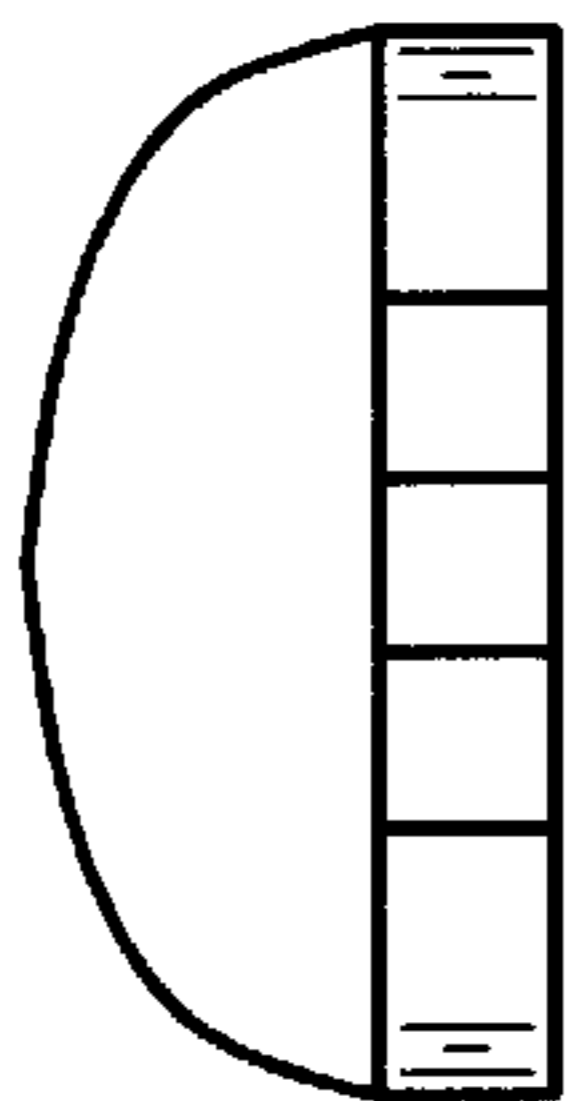


FIG. 5

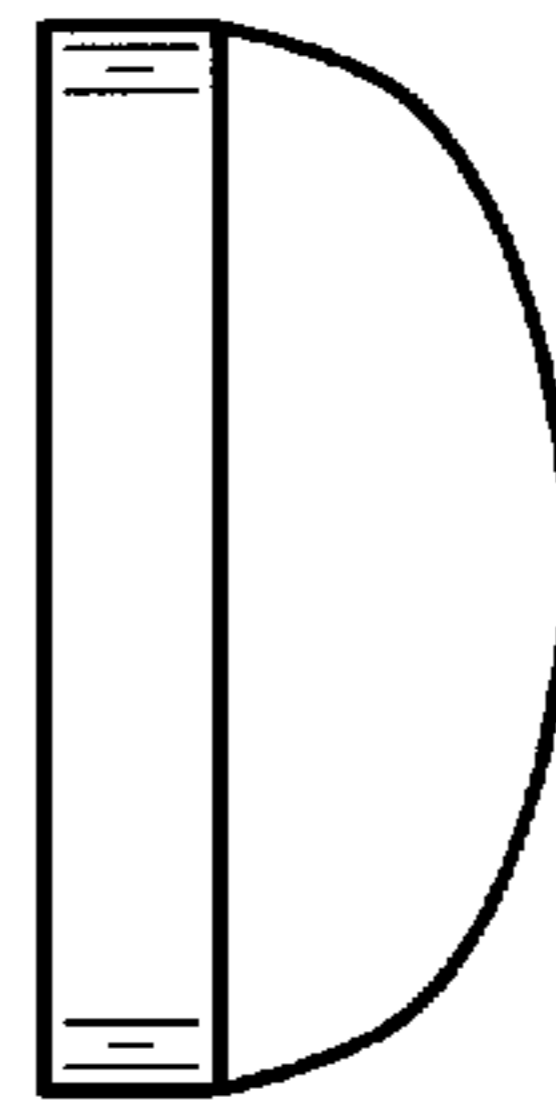


FIG. 6

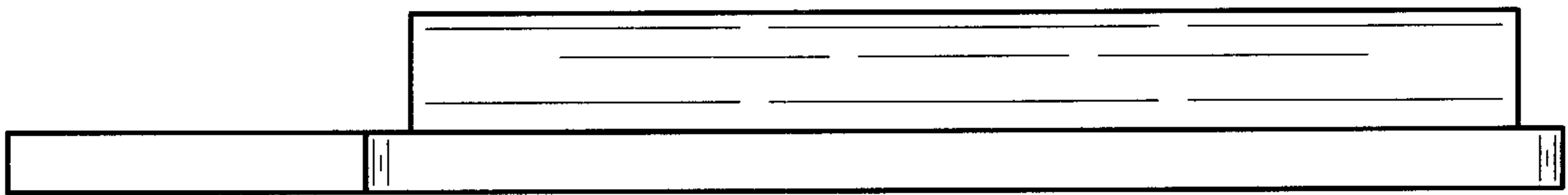


FIG. 7

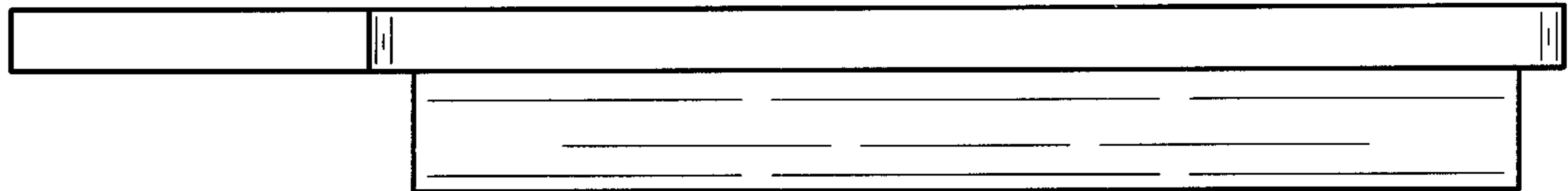


FIG. 8