



US00D468483S

(12) **United States Design Patent**
Minami

(10) **Patent No.:** **US D468,483 S**
(45) **Date of Patent:** **** Jan. 7, 2003**

(54) **HAIR PROCESSING ACCELERATOR**

JP 1001357 1/1998
JP 1001357-1 1/1998
JP 1001357-2 1/1998

(75) Inventor: **Nobuyuki Minami**, Osaka (JP)

(73) Assignee: **Oohiro Works, Ltd.** (JP)

* cited by examiner

(**) Term: **14 Years**

Primary Examiner—Lucy Lieberman
(74) *Attorney, Agent, or Firm*—Wall Marjama & Bilinski LLP

(21) Appl. No.: **29/136,661**

(22) Filed: **Feb. 5, 2001**

(57) **CLAIM**

(30) **Foreign Application Priority Data**

The ornamental design for a hair processing accelerator, as shown and described.

Aug. 8, 2000 (JP) 2000-021930

DESCRIPTION

(51) **LOC (7) Cl.** **28-03**

FIG. 1 is a front view of a hair processing accelerator in accordance with my new design;

(52) **U.S. Cl.** **D28/16; D28/10; D28/17**

FIG. 2 is a back view thereof;

(58) **Field of Search** D28/10, 16, 17,
D28/18, 20, 12, 19; 132/212; 34/96-100;
392/380; 219/222

FIG. 3 is a left side view thereof;

FIG. 4 is a right side view thereof;

FIG. 5 is a top plan view thereof;

FIG. 6 is a bottom view thereof;

FIG. 7 is a rear perspective view thereof;

FIG. 8 is a front perspective view thereof;

FIG. 9 is a right side elevation with the head of a person and a stand shown in phantom outline;

FIG. 10 is a front view of the hair processing accelerator shown in an alternate position; and,

FIG. 11 is a front view of the hair processing accelerator in another alternate position.

(56) **References Cited**

U.S. PATENT DOCUMENTS

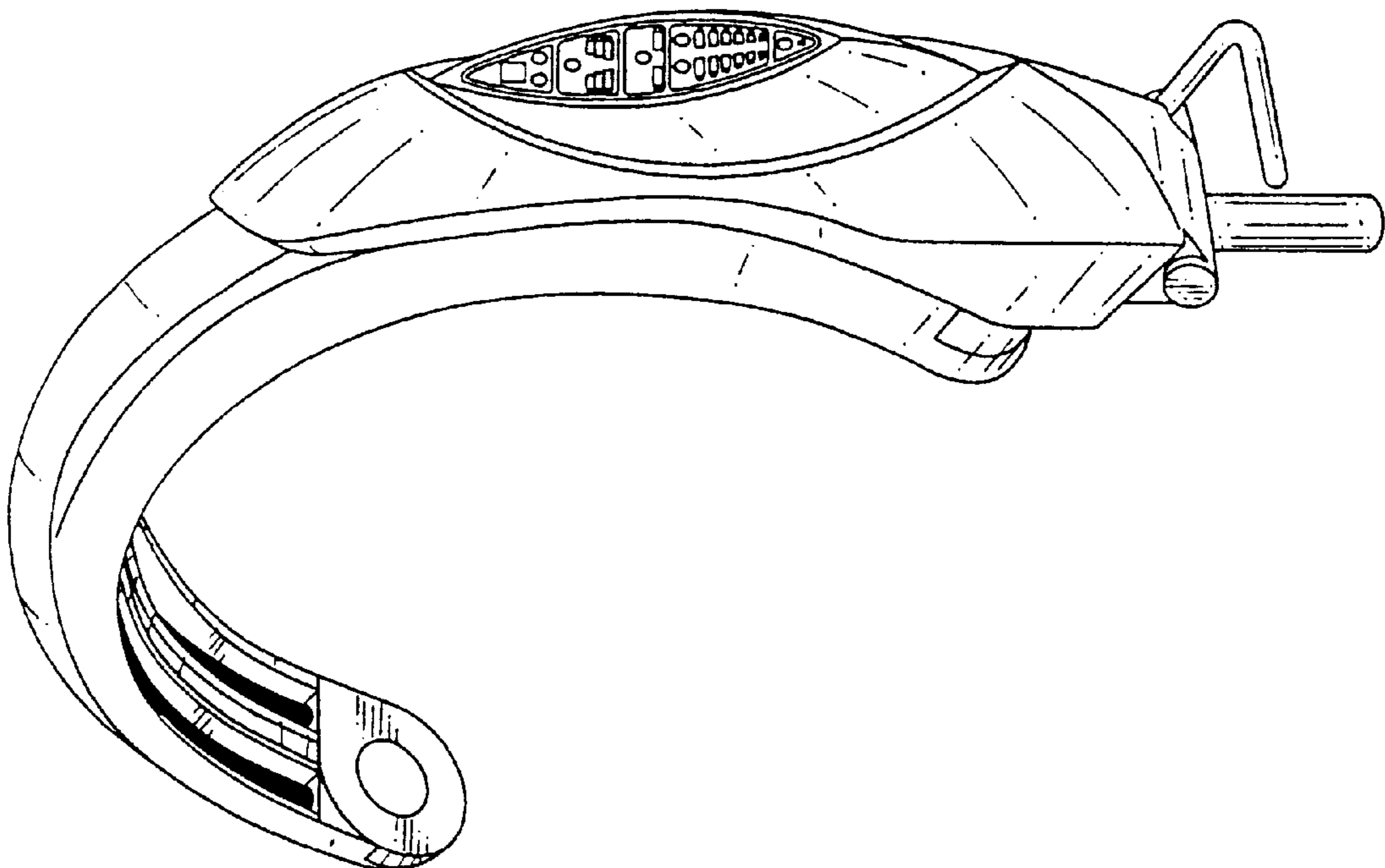
3,861,060	A	*	1/1975	McNair	34/97
D235,383	S	*	6/1975	McNair	D28/18
4,910,382	A	*	3/1990	Kakuya et al.	219/222
D321,411	S	*	11/1991	Moll	D28/17
5,063,688	A	*	11/1991	Moll et al.	34/97
D408,100	S	*	4/1999	Minami	D28/17
D409,331	S	*	5/1999	Minami	D28/17

FOREIGN PATENT DOCUMENTS

JP	1001353	1/1998
JP	1001354	1/1998
JP	1001355	1/1998
JP	1001356	1/1998

The broken lines showing a stand and the head of a person in FIG. 9 are for illustrative purposes only and do not form part of the claimed design.

1 Claim, 5 Drawing Sheets



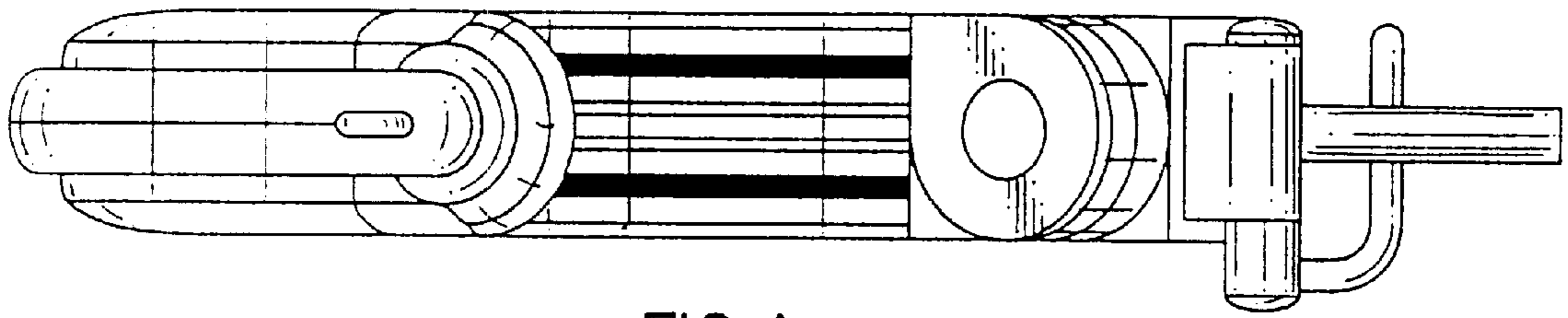


FIG. 1

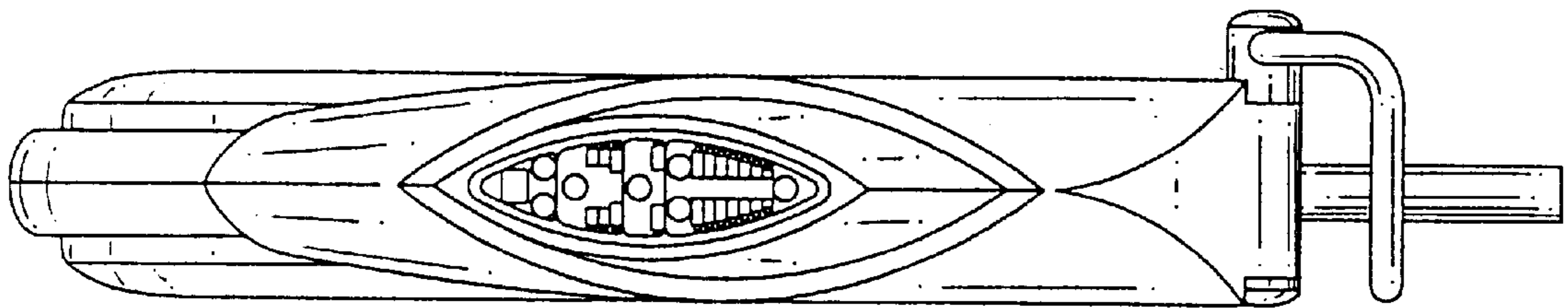


FIG. 2

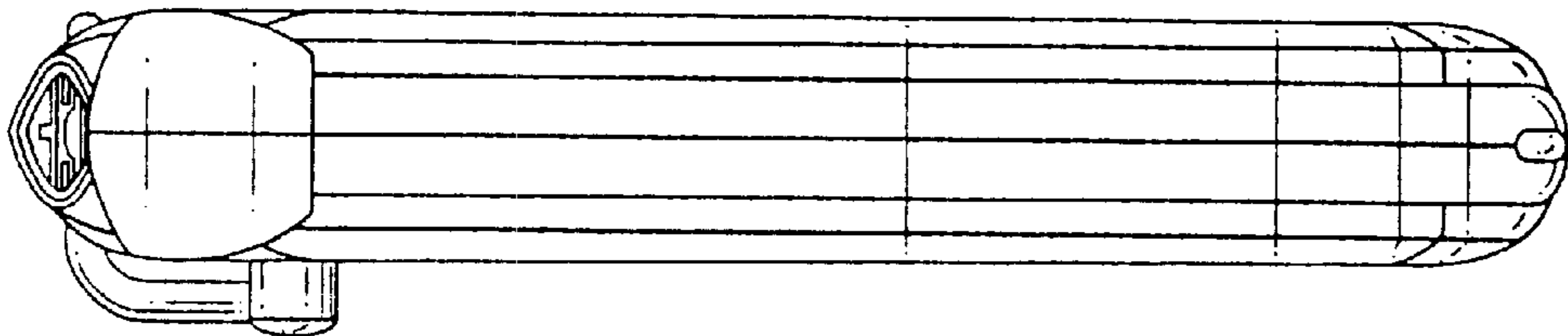


FIG. 5

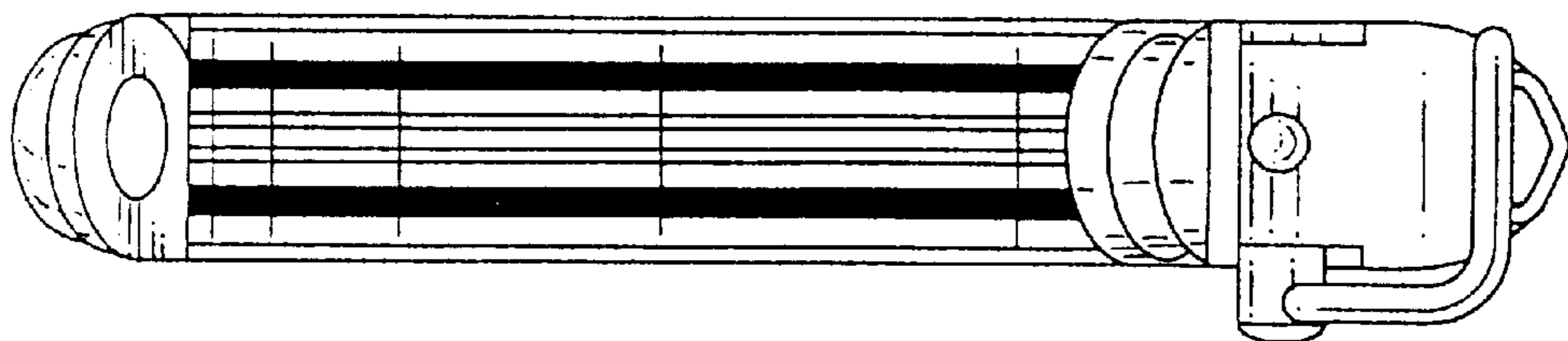


FIG. 6

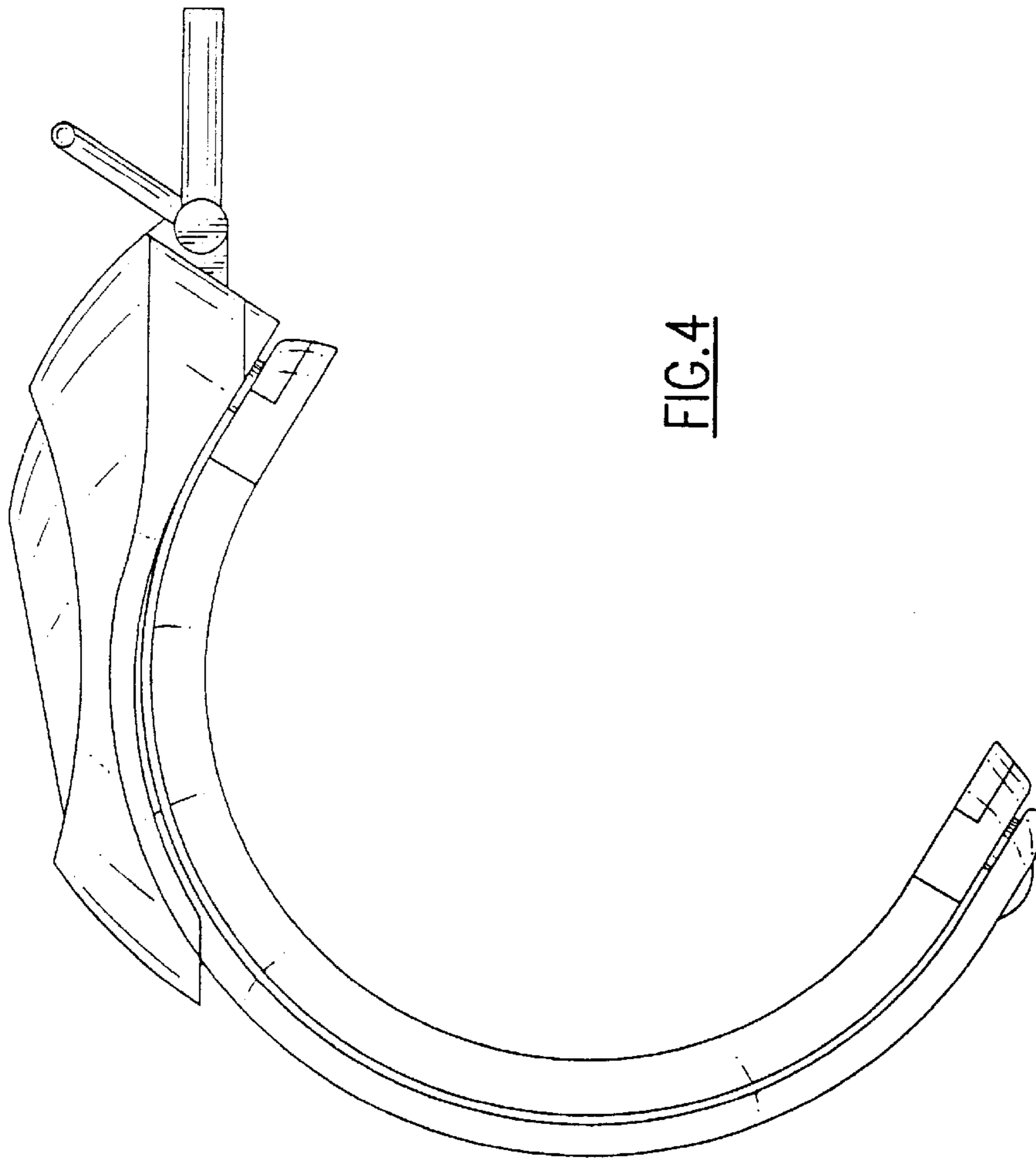


FIG. 4

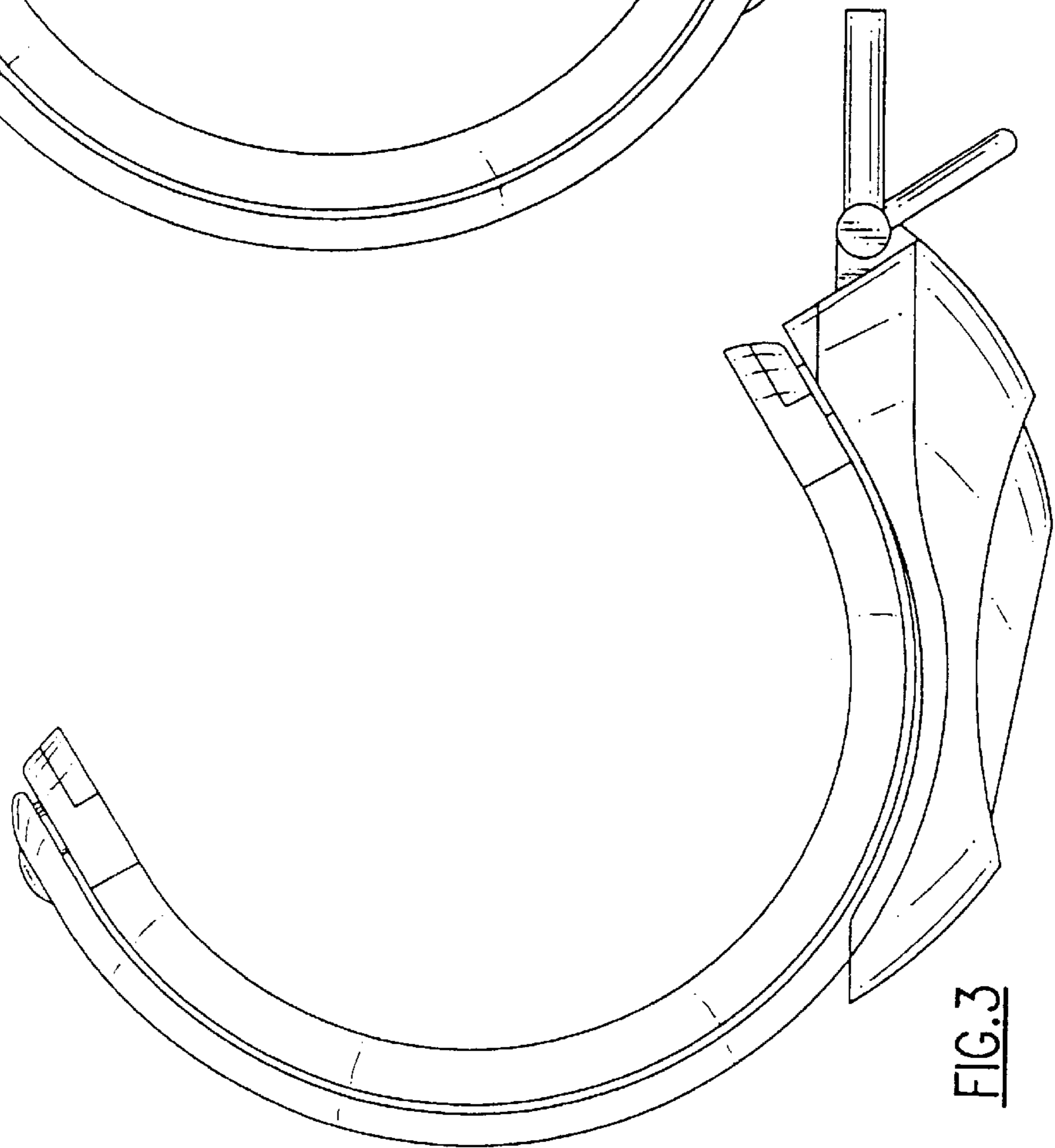


FIG. 3

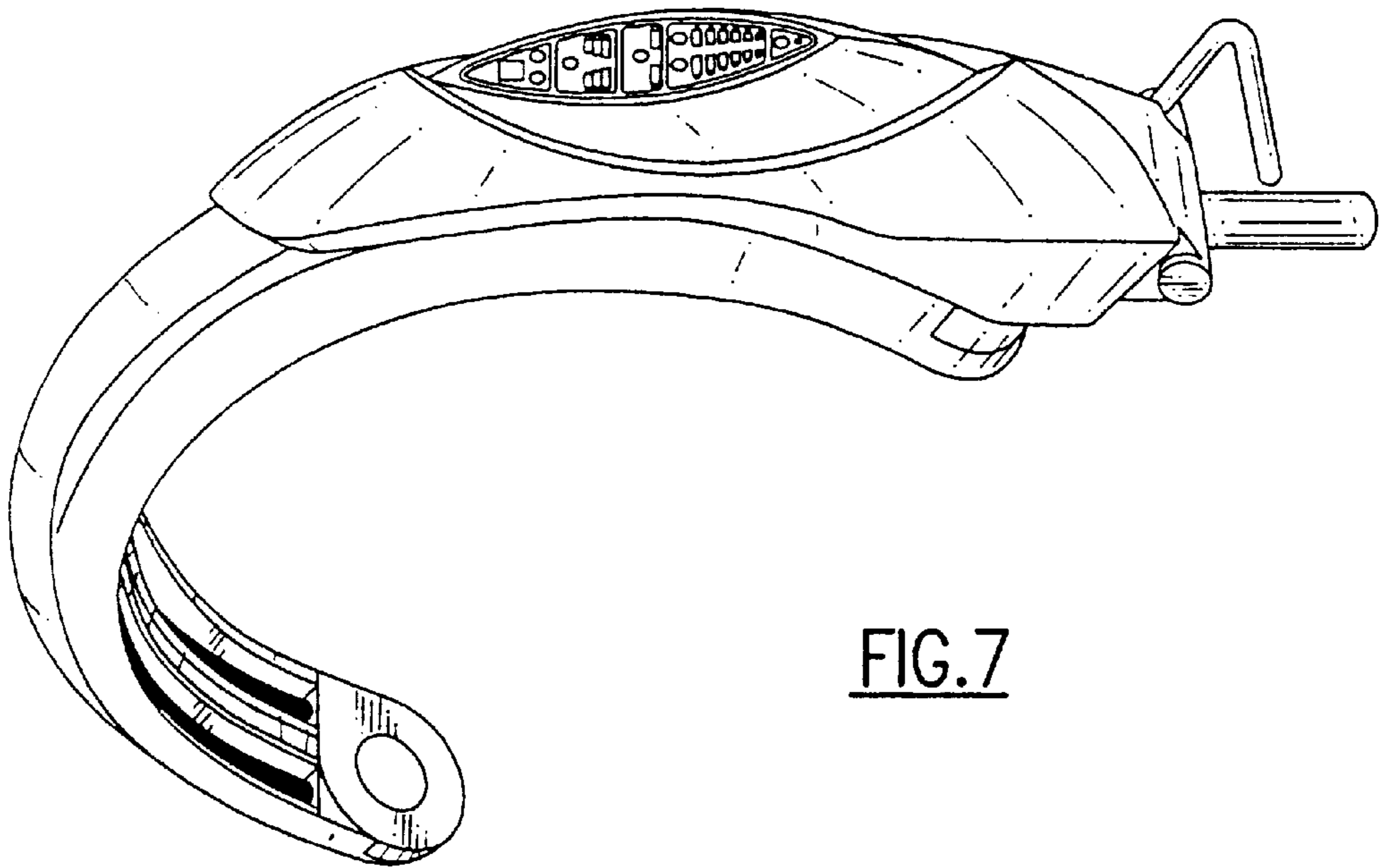


FIG. 7

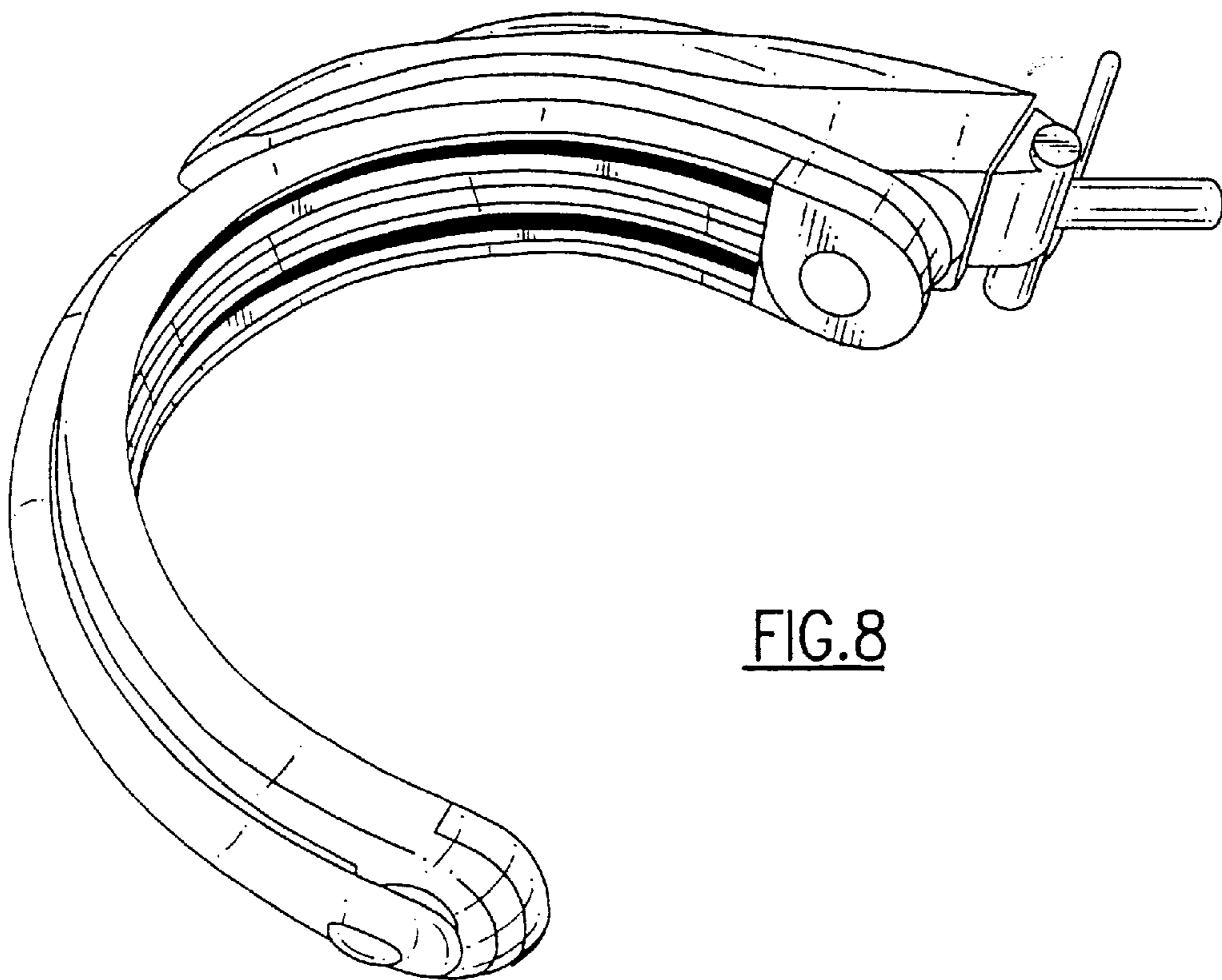


FIG. 8

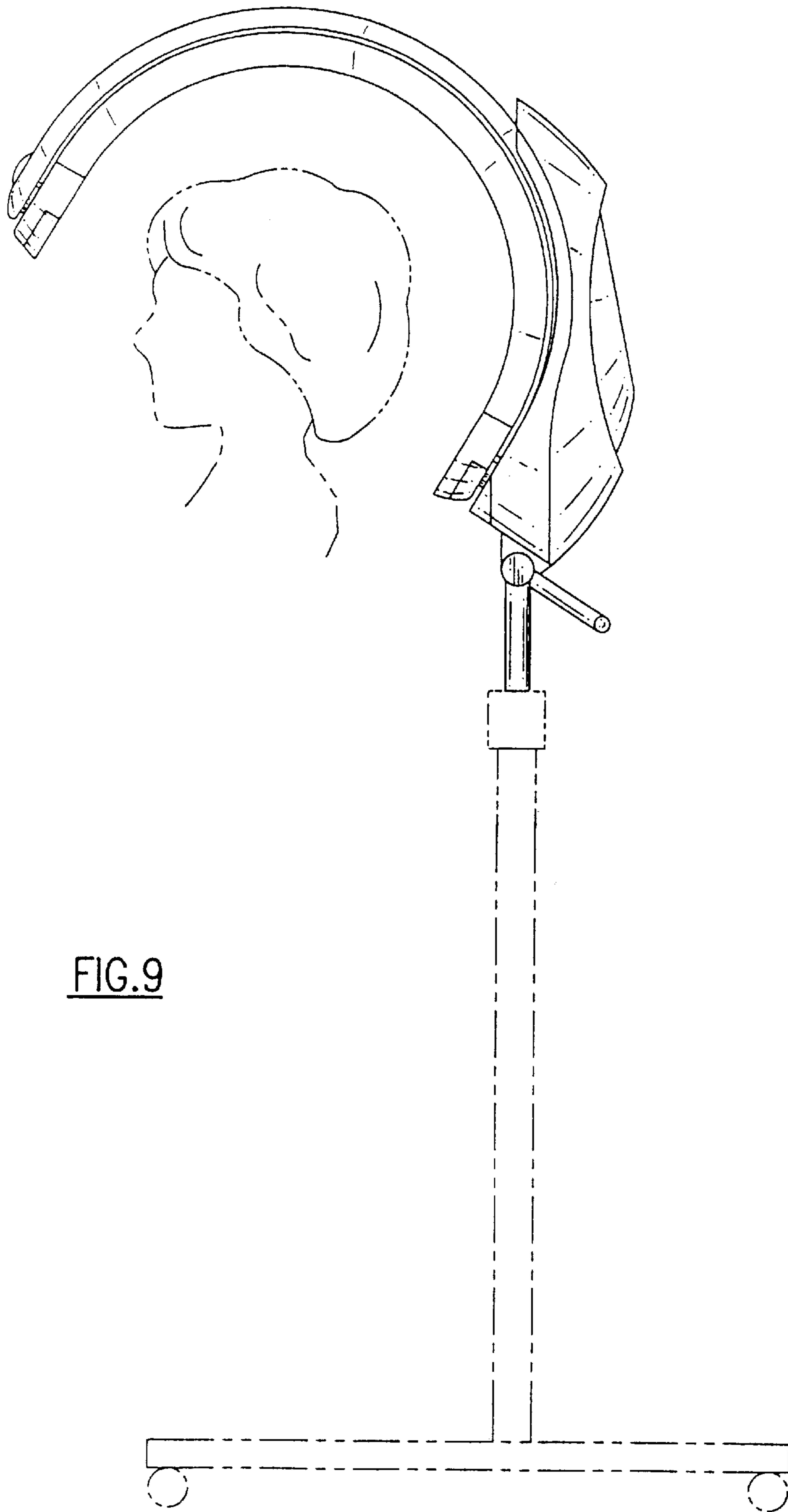


FIG. 9

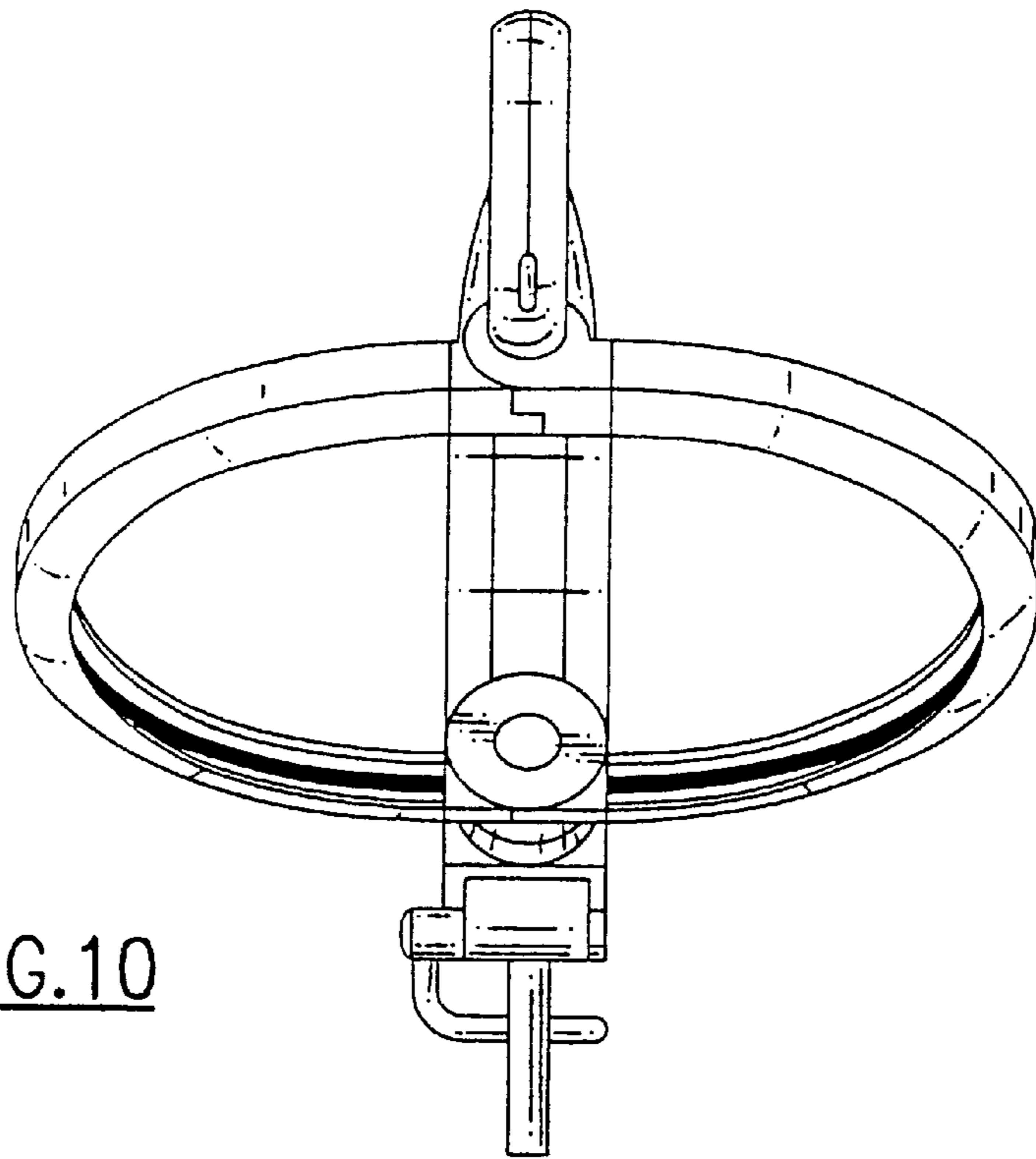


FIG. 10

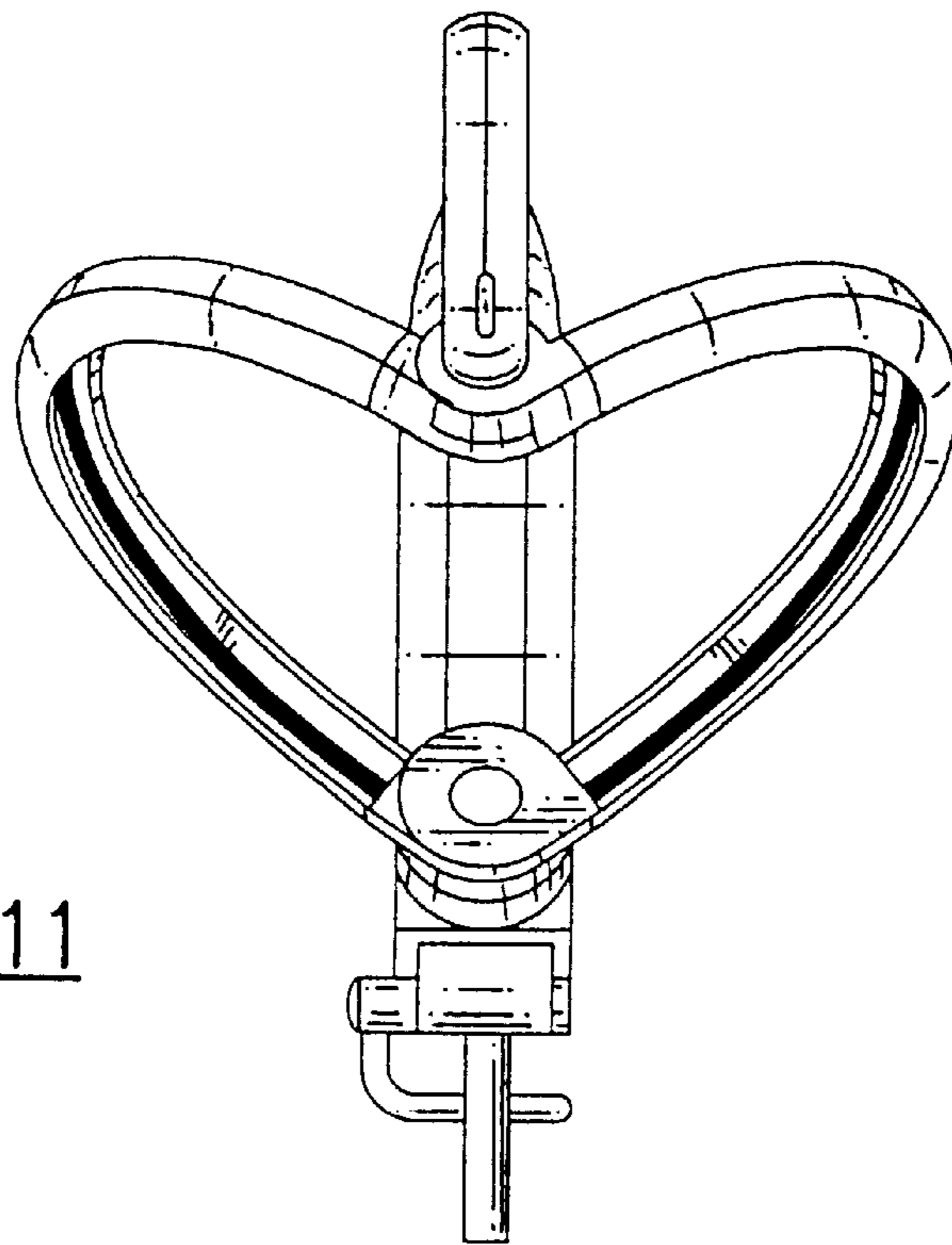


FIG. 11