



US00D468478S

(12) **United States Design Patent**  
**Landefeld et al.**

(10) **Patent No.:** **US D468,478 S**  
(45) **Date of Patent:** **\*\* Jan. 7, 2003**

(54) **LIGHT FIXTURE HAVING A REFLECTIVE COVER**

(75) Inventors: **Cory Landefeld**, Long Beach, CA (US); **Robert Nankil**, Long Beach, CA (US)

(73) Assignee: **Architectural Area Lighting, Inc.**, La Mirada, CA (US)

(\*\*) Term: **14 Years**

(21) Appl. No.: **29/148,113**

(22) Filed: **Sep. 14, 2001**

(51) **LOC (7) Cl.** ..... **26-03**

(52) **U.S. Cl.** ..... **D26/106**

(58) **Field of Search** ..... D26/93-112, 118;  
362/410-414, 431, 341-350

(56) **References Cited**

**U.S. PATENT DOCUMENTS**

D302,333 S	*	7/1989	Mason	.....	D26/110
D344,359 S	*	2/1994	Matos	.....	D26/93
D391,666 S	*	3/1998	Lavy	.....	D26/110

\* cited by examiner

*Primary Examiner*—Alan P. Douglas

*Assistant Examiner*—Linda Brooks

(74) *Attorney, Agent, or Firm*—Milord & Associates, P.C.;  
Milord Keshishzadeh, Esq.

(57) **CLAIM**

The ornamental design for a light fixture having a reflective cover, as shown and described.

**DESCRIPTION**

FIG. 1 is a top plan view of a light fixture having a reflective cover;

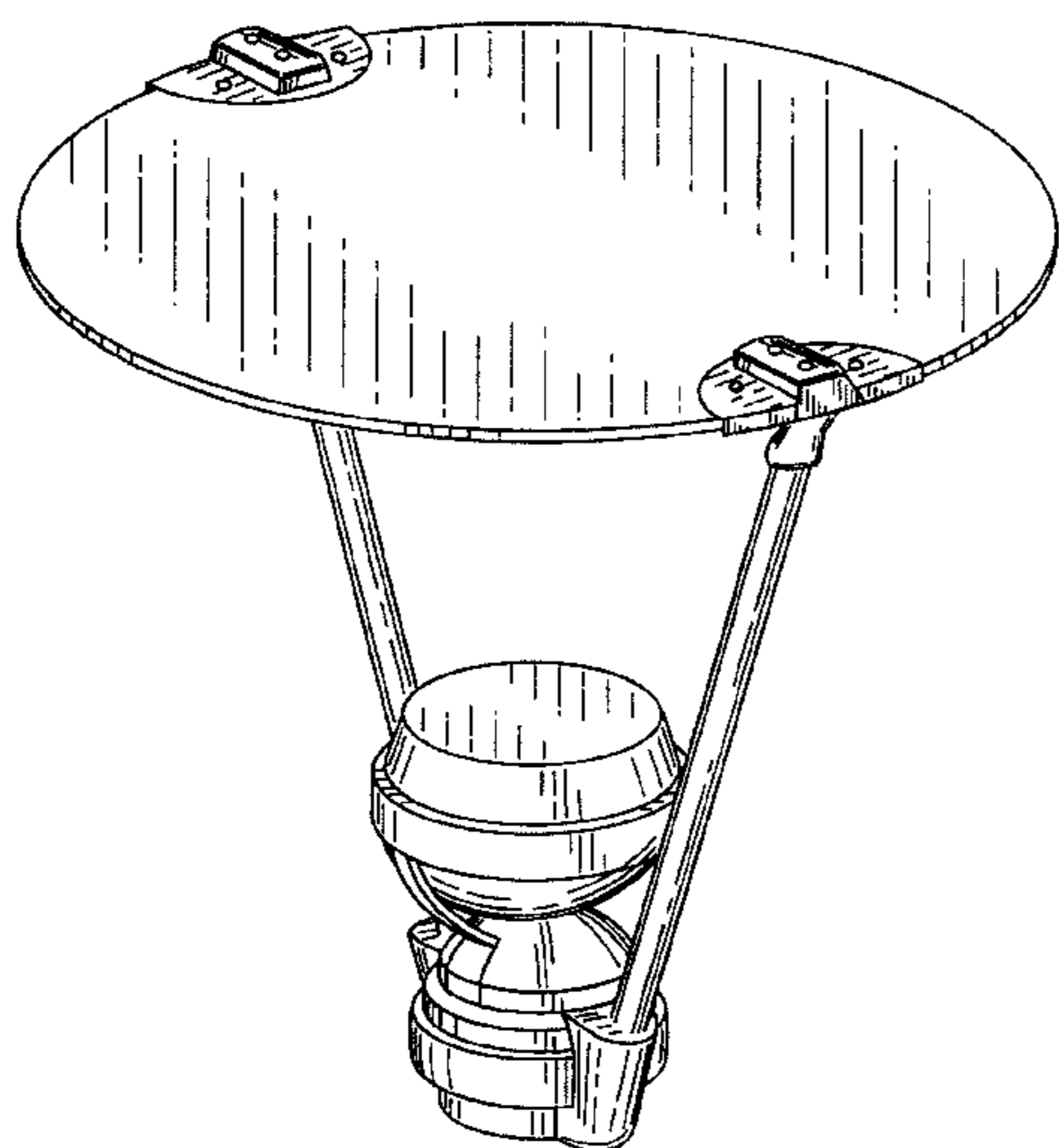


FIG. 2 is a perspective view of the light fixture having a reflective cover;

FIG. 3 is a frontal elevational view of the light fixture having a reflective cover;

FIG. 4 is a right side elevational view of the light fixture having a reflective cover;

FIG. 5 is a bottom perspective view of the light fixture having a reflective cover;

FIG. 6 is a top plan view of the light fixture having a reflective cover showing a second embodiment of the design, the sole difference being the polygonal reflective cover.

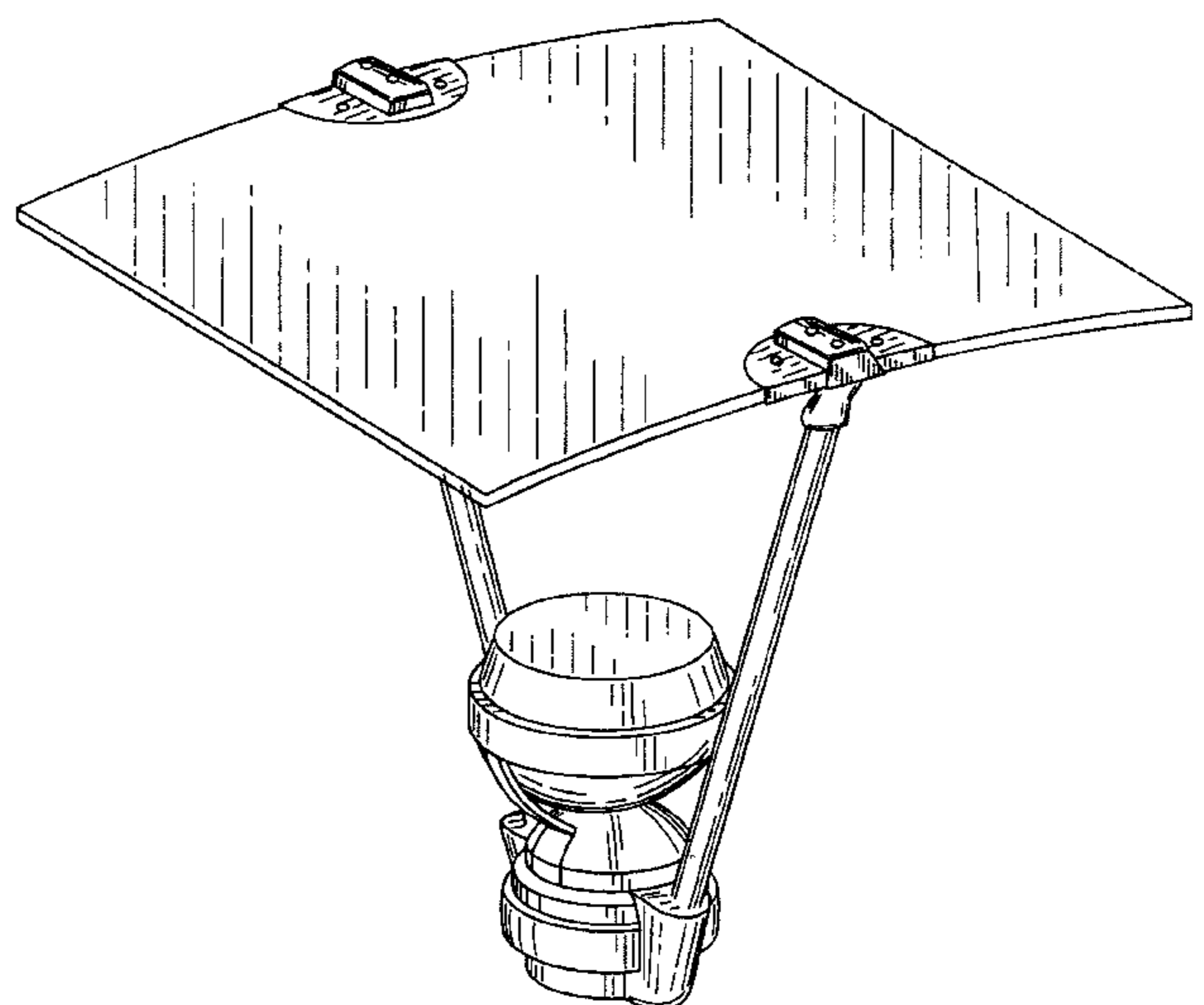
FIG. 7 is a perspective view of the light fixture having a reflective cover showing a second embodiment of the design, the sole difference being the polygonal reflective cover.

FIG. 8 is a frontal elevational view of the light fixture having a reflective cover showing a second embodiment to design, the sole difference being the polygonal reflective cover.

FIG. 9 is a right side elevational view of the light fixture having a reflective cover showing a second embodiment to design, the sole difference being the polygonal reflective cover.

FIG. 10 is a bottom perspective view of the light fixture having a reflective cover showing a second embodiment to design, the sole difference being the polygonal reflective cover.

**1 Claim, 6 Drawing Sheets**



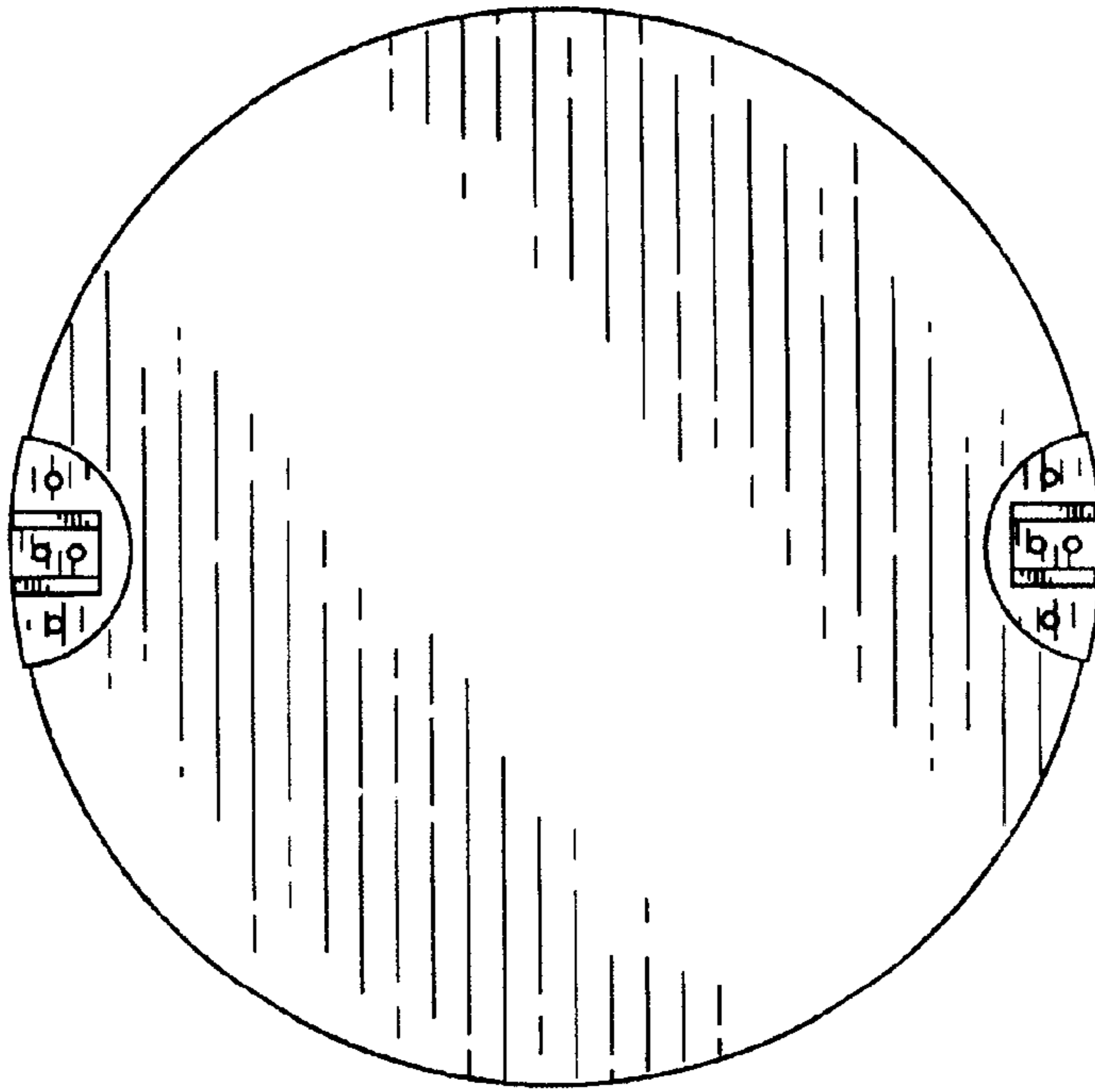


FIG. 1

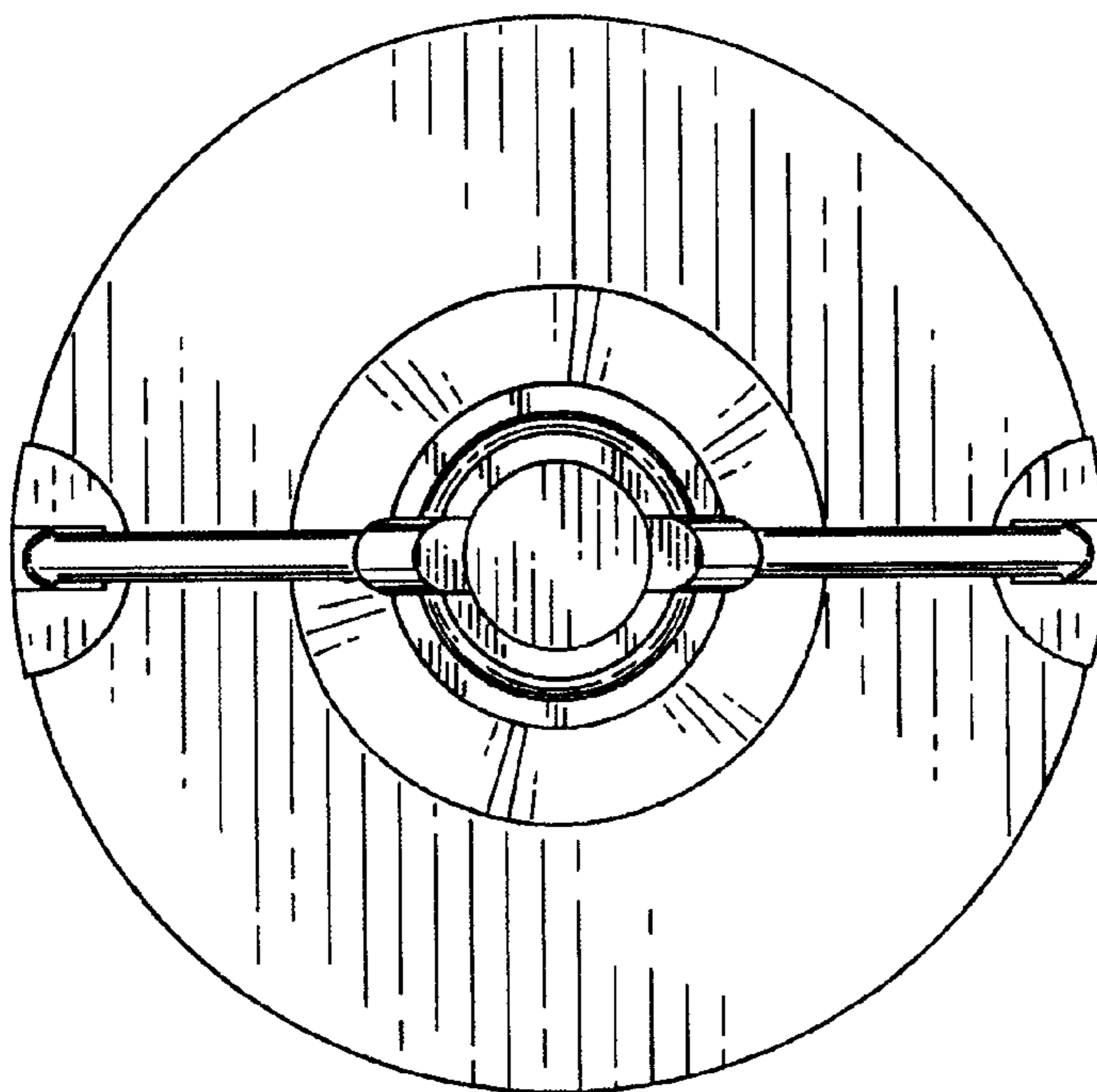


FIG. 5

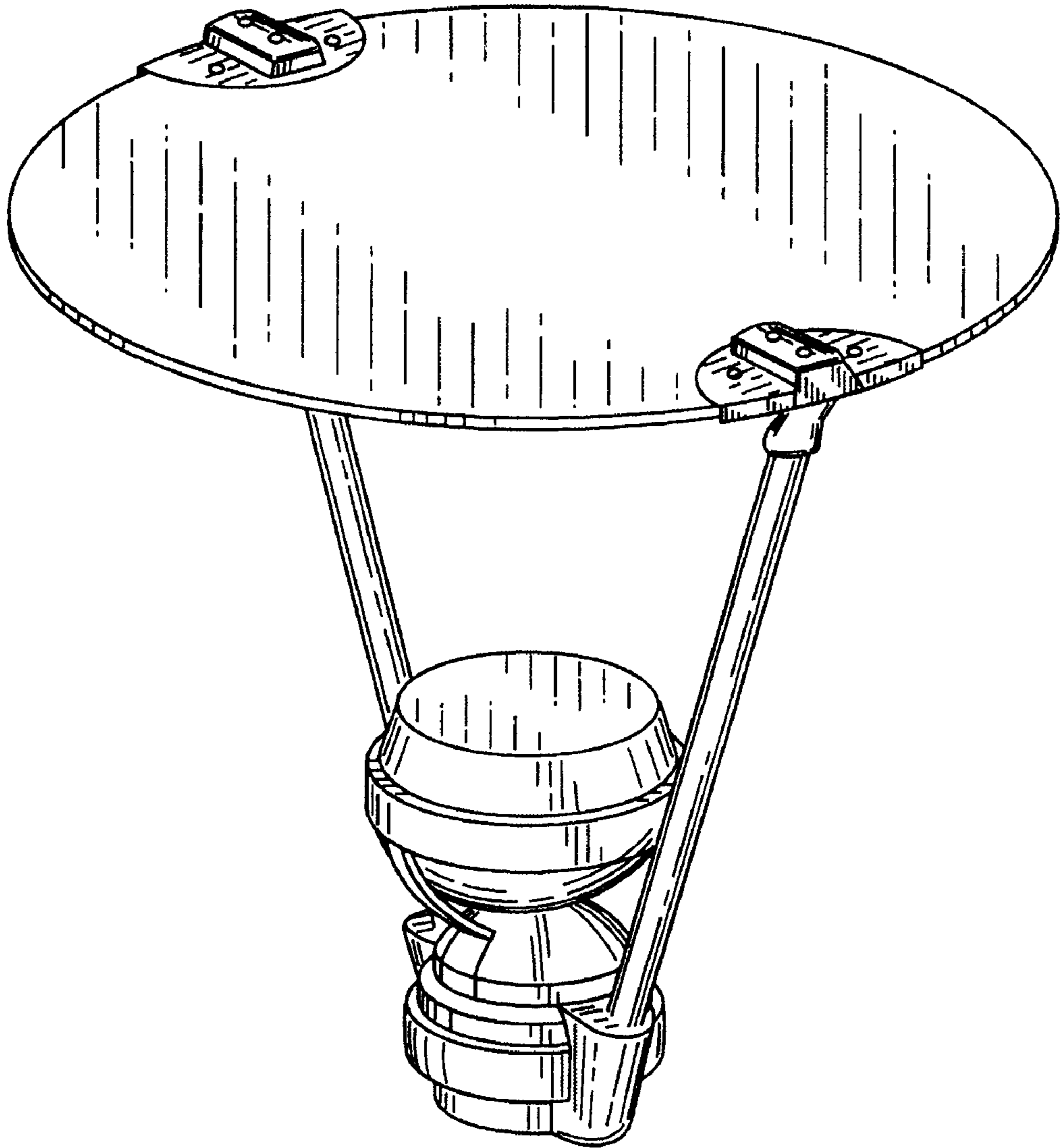


FIG. 2

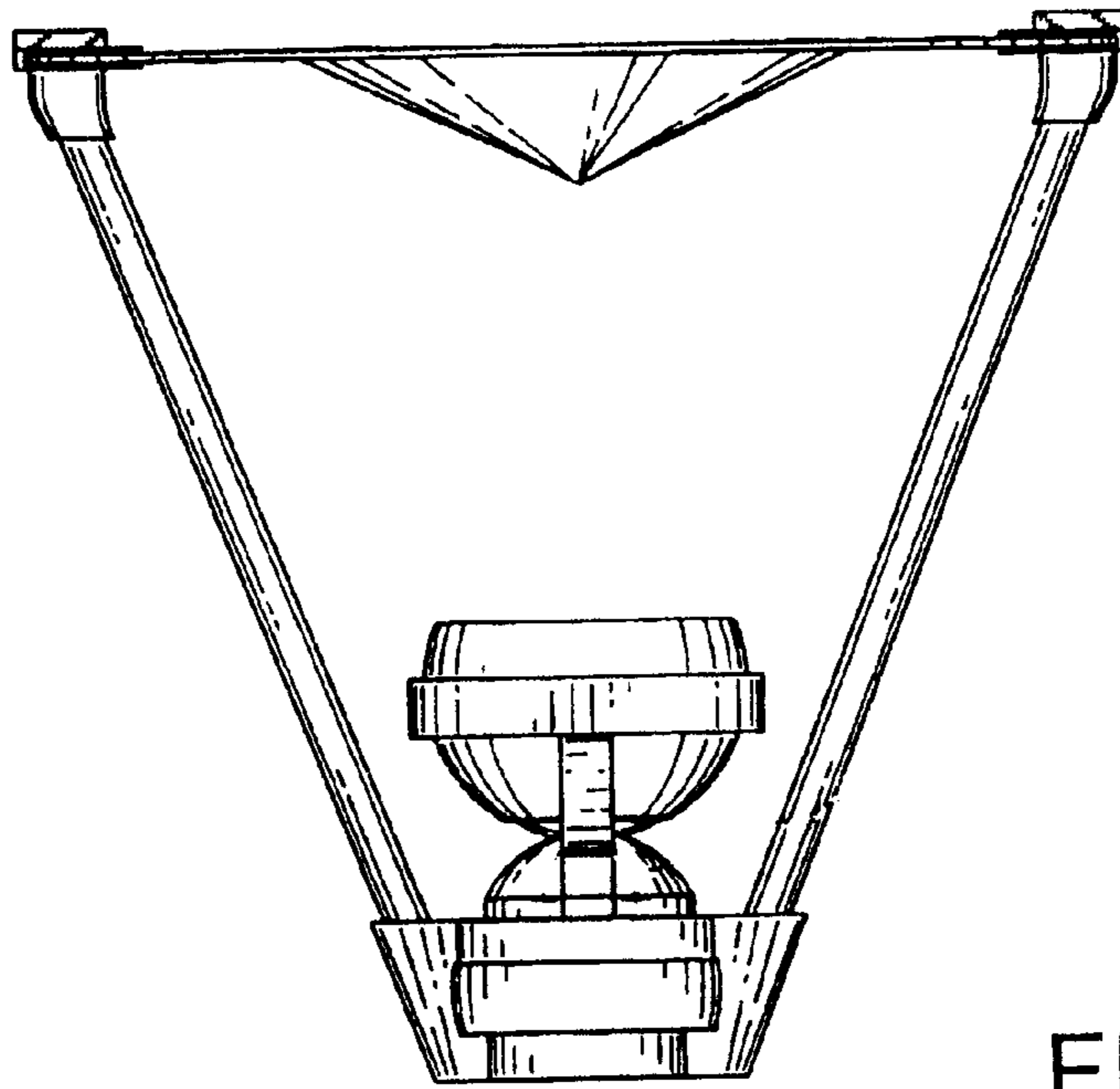


FIG. 3

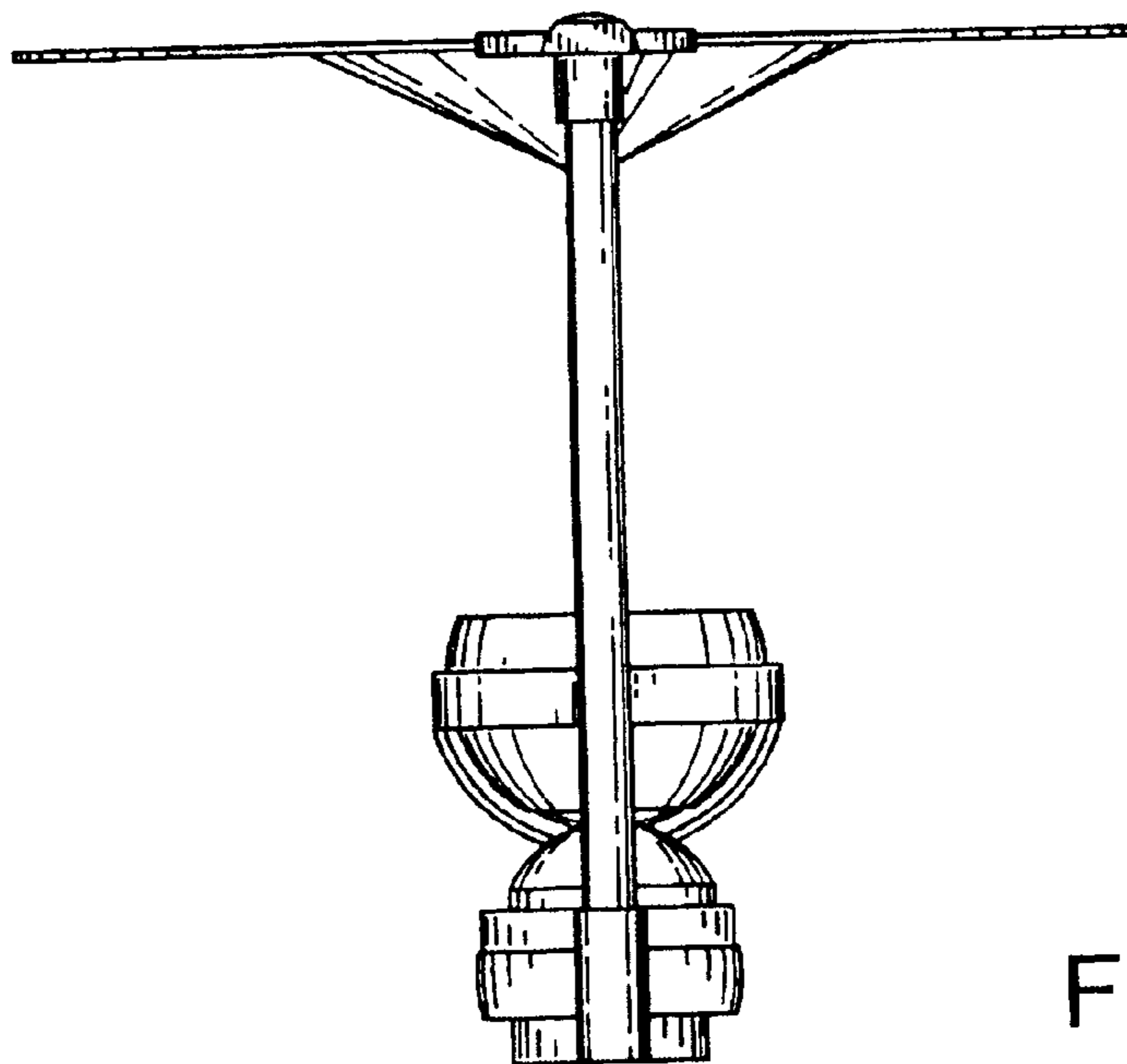


FIG. 4

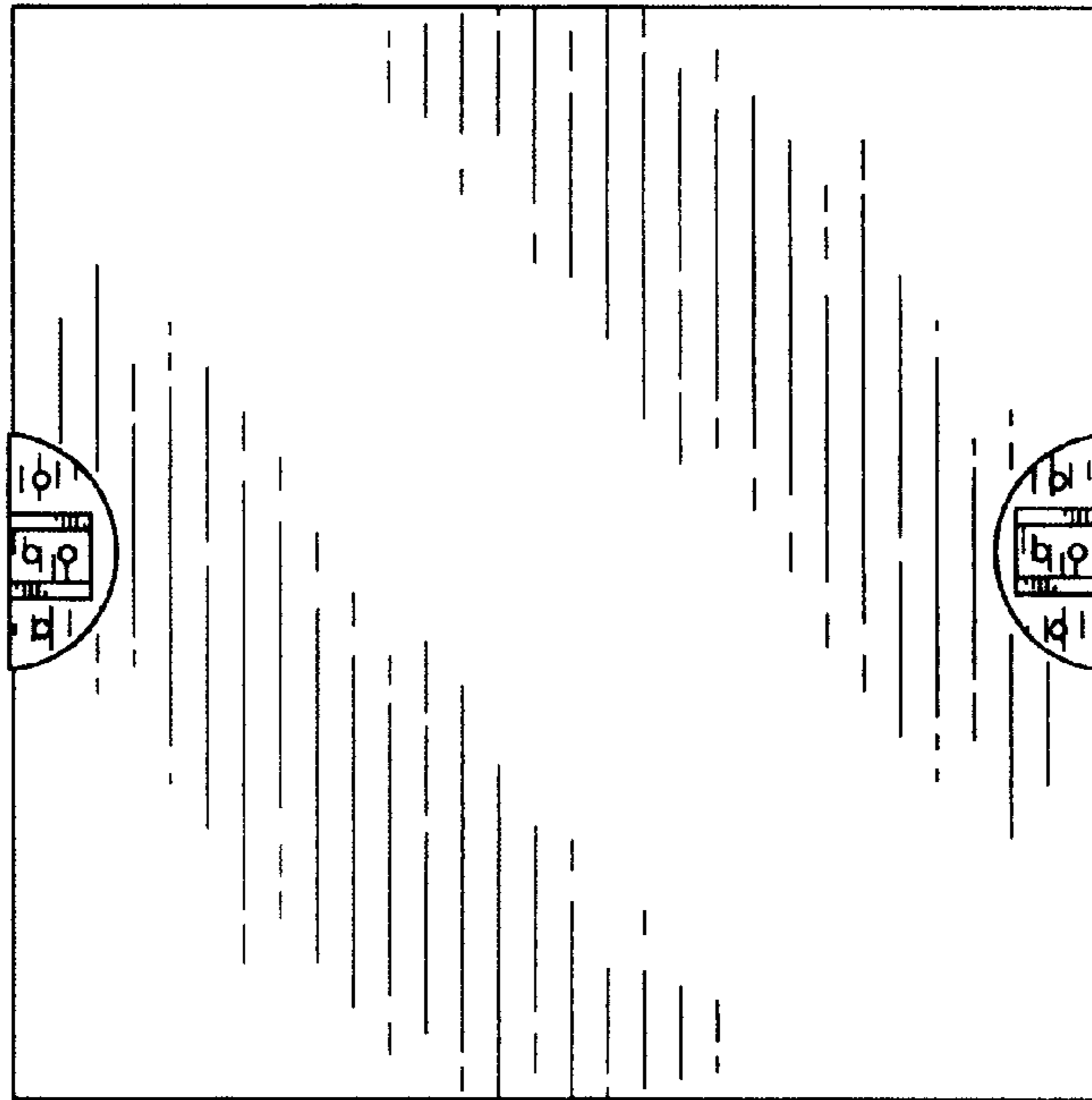


FIG. 6

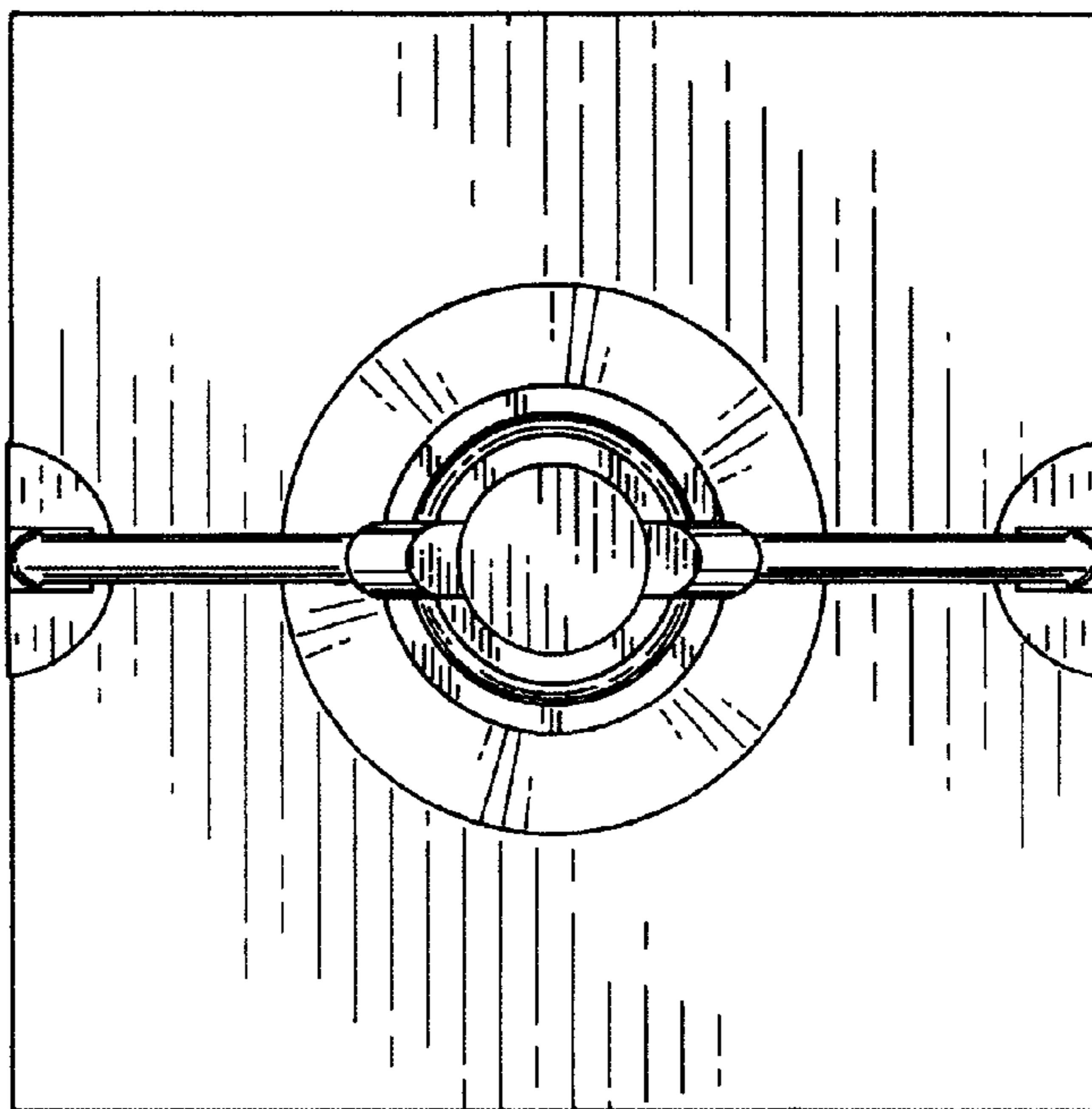


FIG. 10

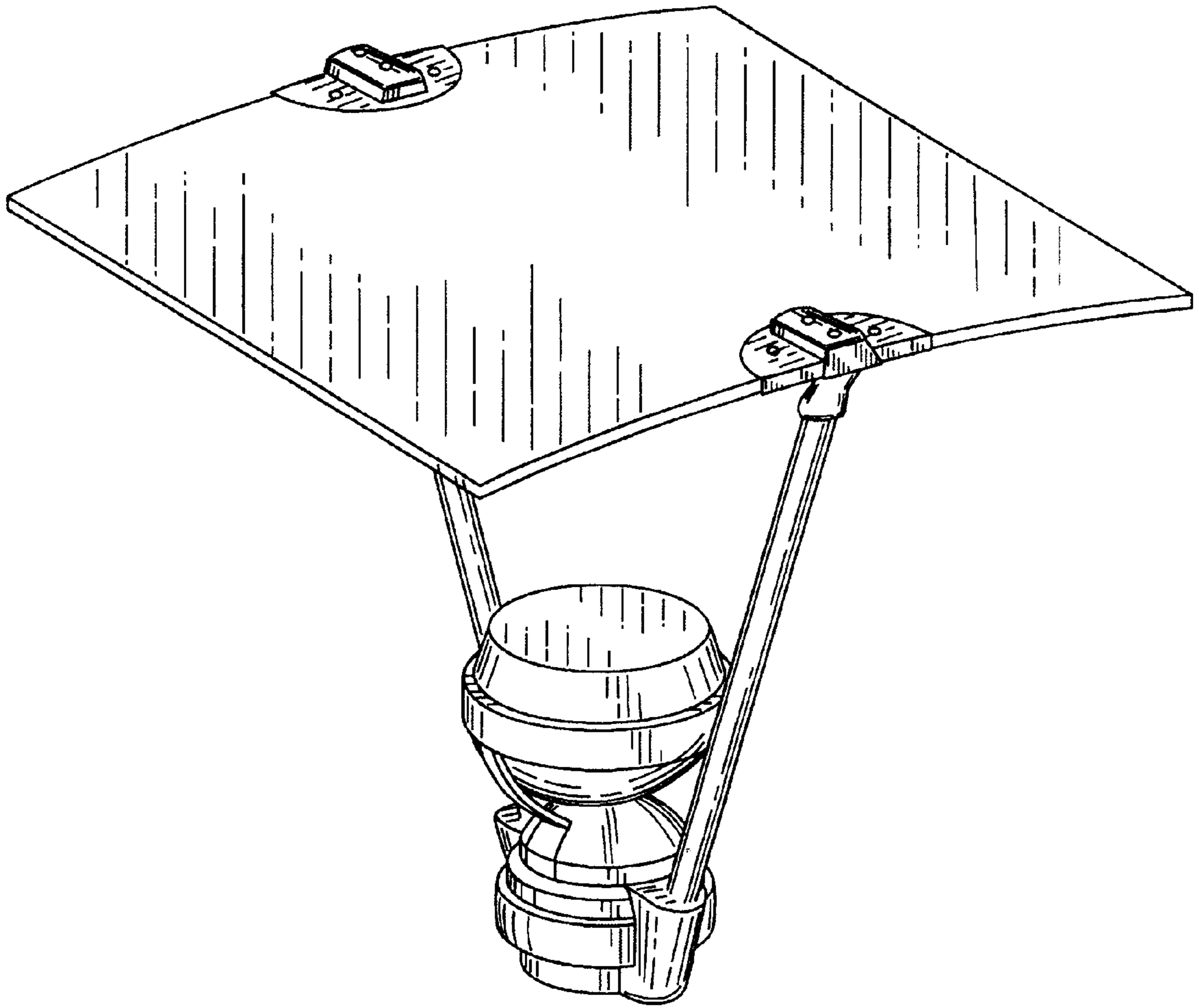


FIG. 7

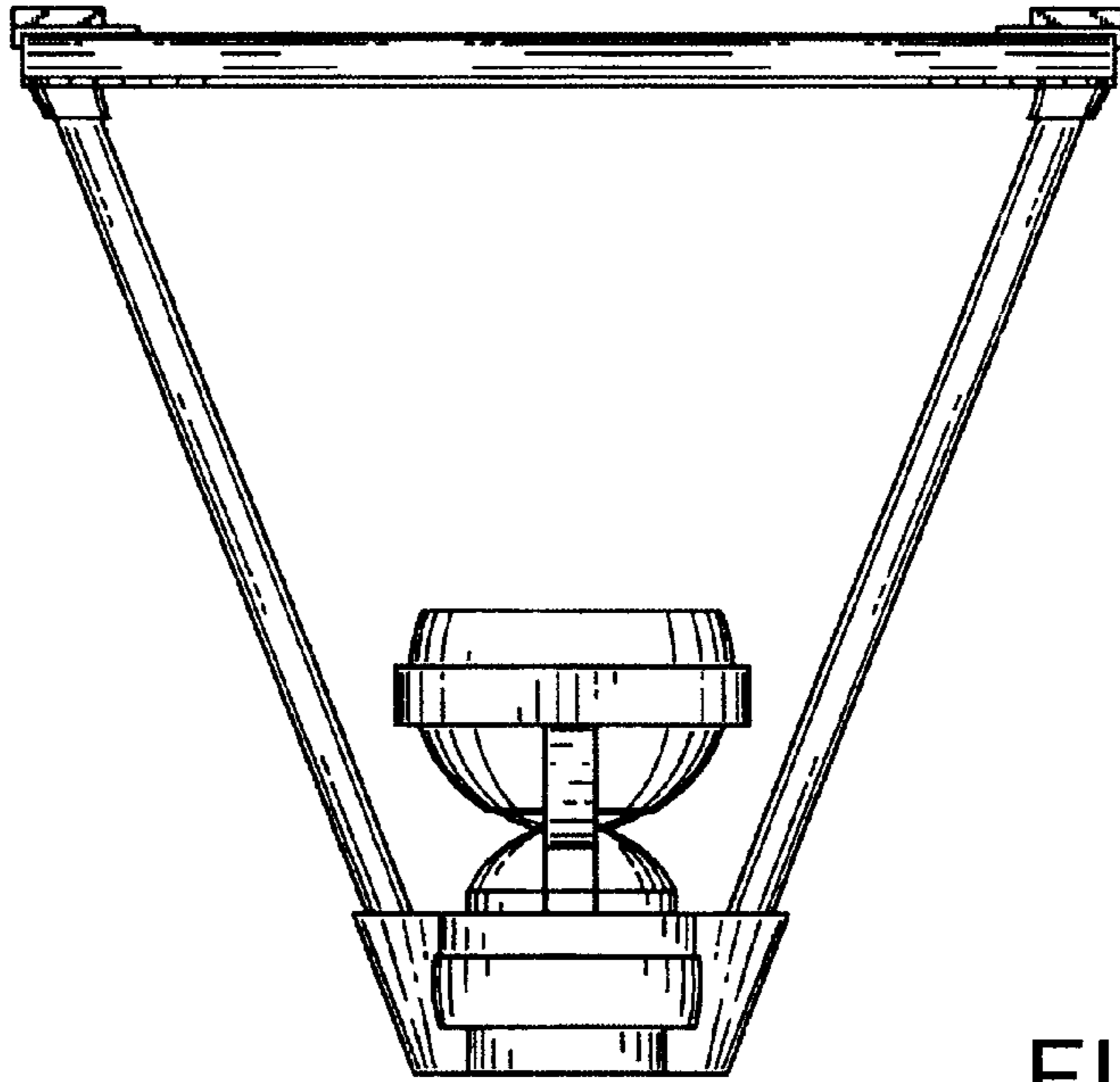


FIG. 8

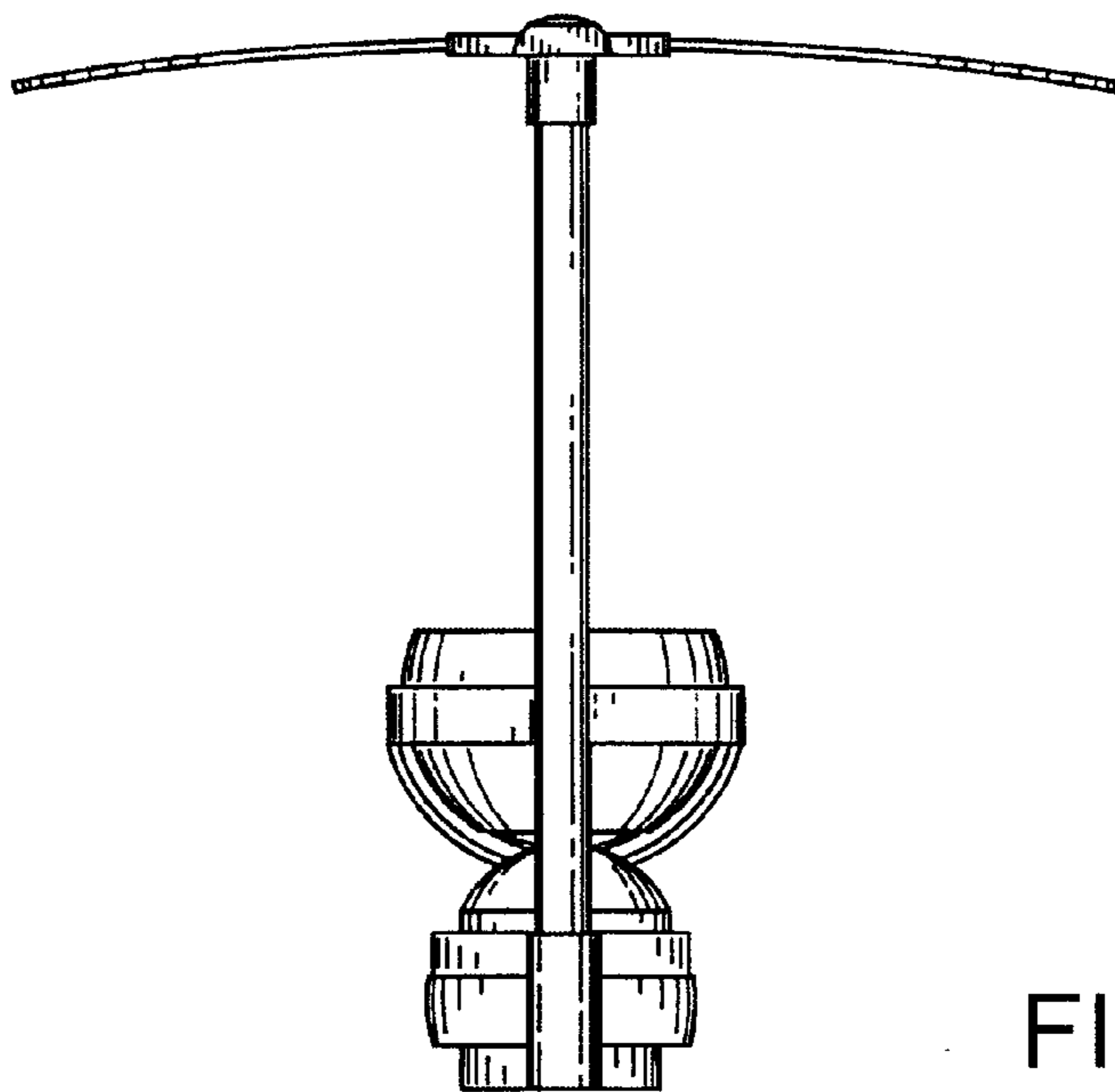


FIG. 9