



US00D468477S

(12) **United States Design Patent**  
**Landefeld et al.**

(10) **Patent No.:** **US D468,477 S**

(45) **Date of Patent:** **\*\* Jan. 7, 2003**

(54) **OCULUS LIGHT FIXTURE**

D134,595 S \* 12/1942 Van Es ..... D26/63  
D407,518 S \* 3/1999 Yeh ..... D26/63

(75) Inventors: **Cory Landefeld**, Long Beach, CA  
(US); **Andy McMillan**, Laguna Beach,  
CA (US)

\* cited by examiner

(73) Assignee: **Architectural Area Lighting, Inc.**, La  
Mirada, CA (US)

*Primary Examiner*—Alan P. Douglas

*Assistant Examiner*—Linda Brooks

(74) *Attorney, Agent, or Firm*—Milord Keshishzadeh, Esq.;  
Milord & Associates, P.C.

(\*\*) Term: **14 Years**

(57) **CLAIM**

(21) Appl. No.: **29/148,100**

The ornamental design for an oculus light fixture, as shown  
and described.

(22) Filed: **Sep. 14, 2001**

**DESCRIPTION**

(51) **LOC (7) Cl.** ..... **26-03**

(52) **U.S. Cl.** ..... **D26/104**

(58) **Field of Search** ..... D26/60–66, 93–112;  
362/275, 267, 282, 285, 287, 410–414,  
418, 419, 427

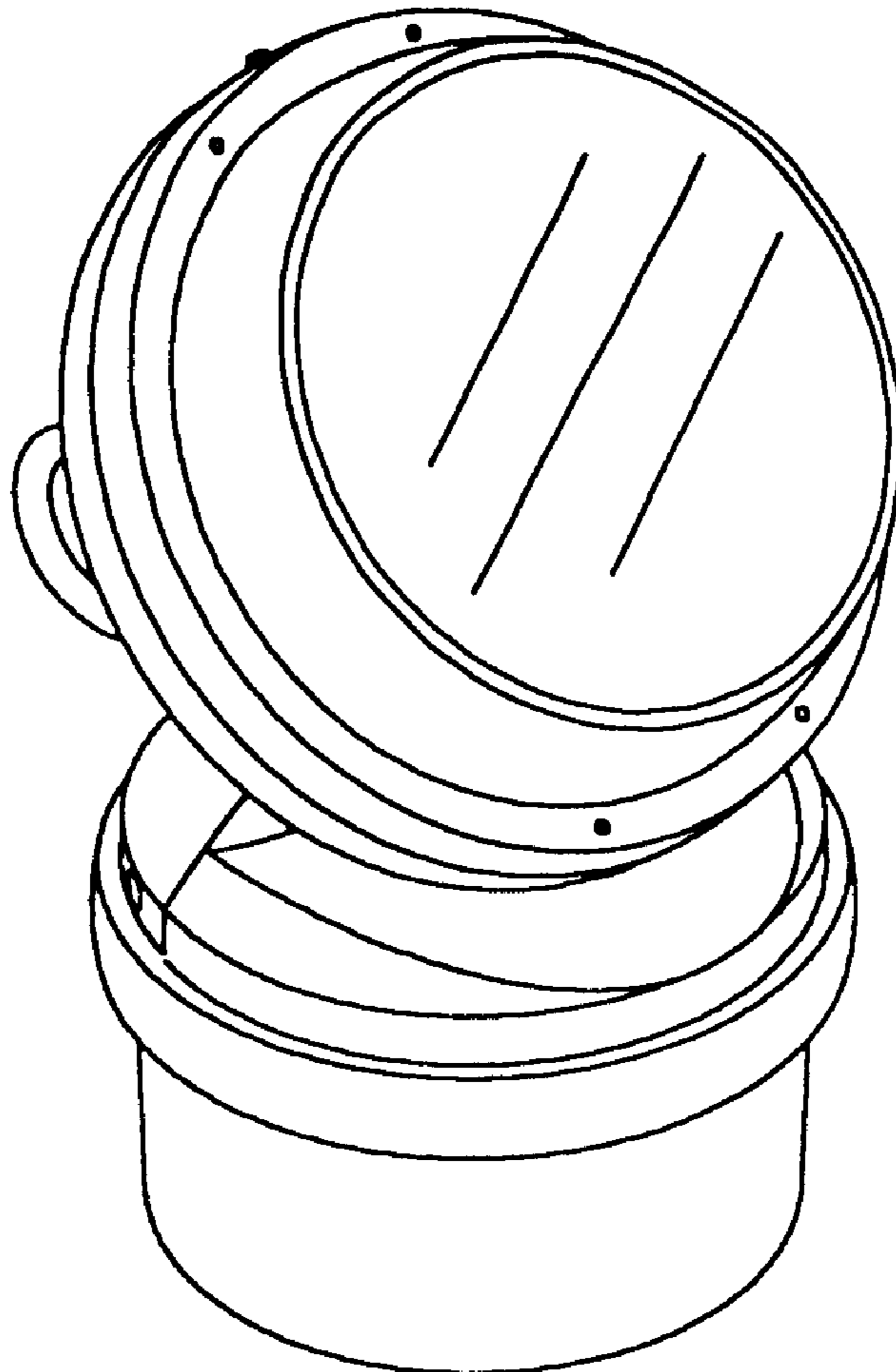
FIG. 1 is a top perspective view of an oculus light fixture;  
FIG. 2 is a perspective view of the oculus light fixture;  
FIG. 3 is a right hand elevational view of the oculus light  
fixture;  
FIG. 4 is a front perspective view of the oculus light fixture;  
and,  
FIG. 5 is a bottom perspective view of the oculus light  
fixture.

(56) **References Cited**

**U.S. PATENT DOCUMENTS**

D50,685 S \* 5/1917 Guth ..... D26/108  
D118,671 S \* 1/1940 Mielziner ..... D26/63

**1 Claim, 1 Drawing Sheet**



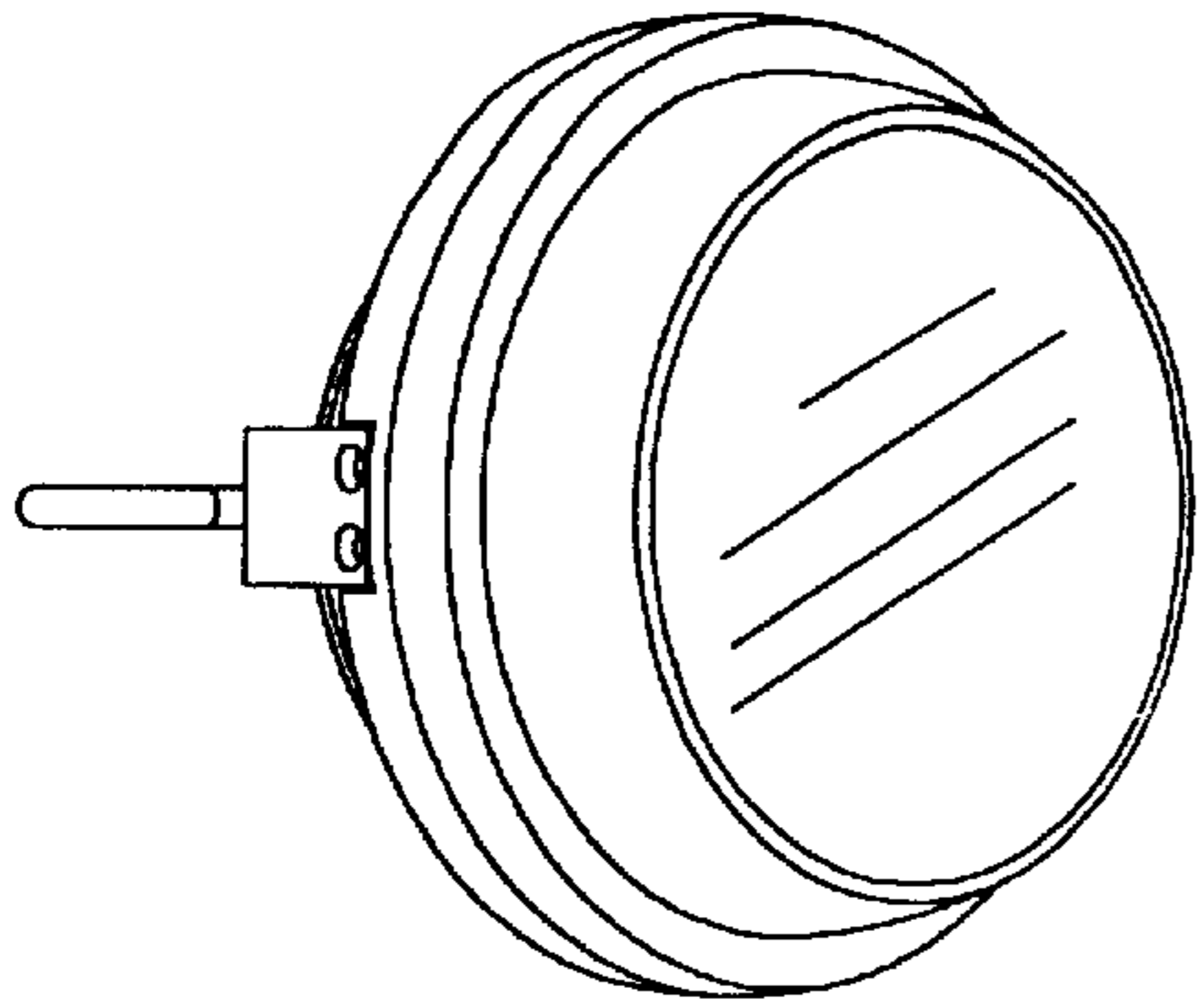


FIG. 1

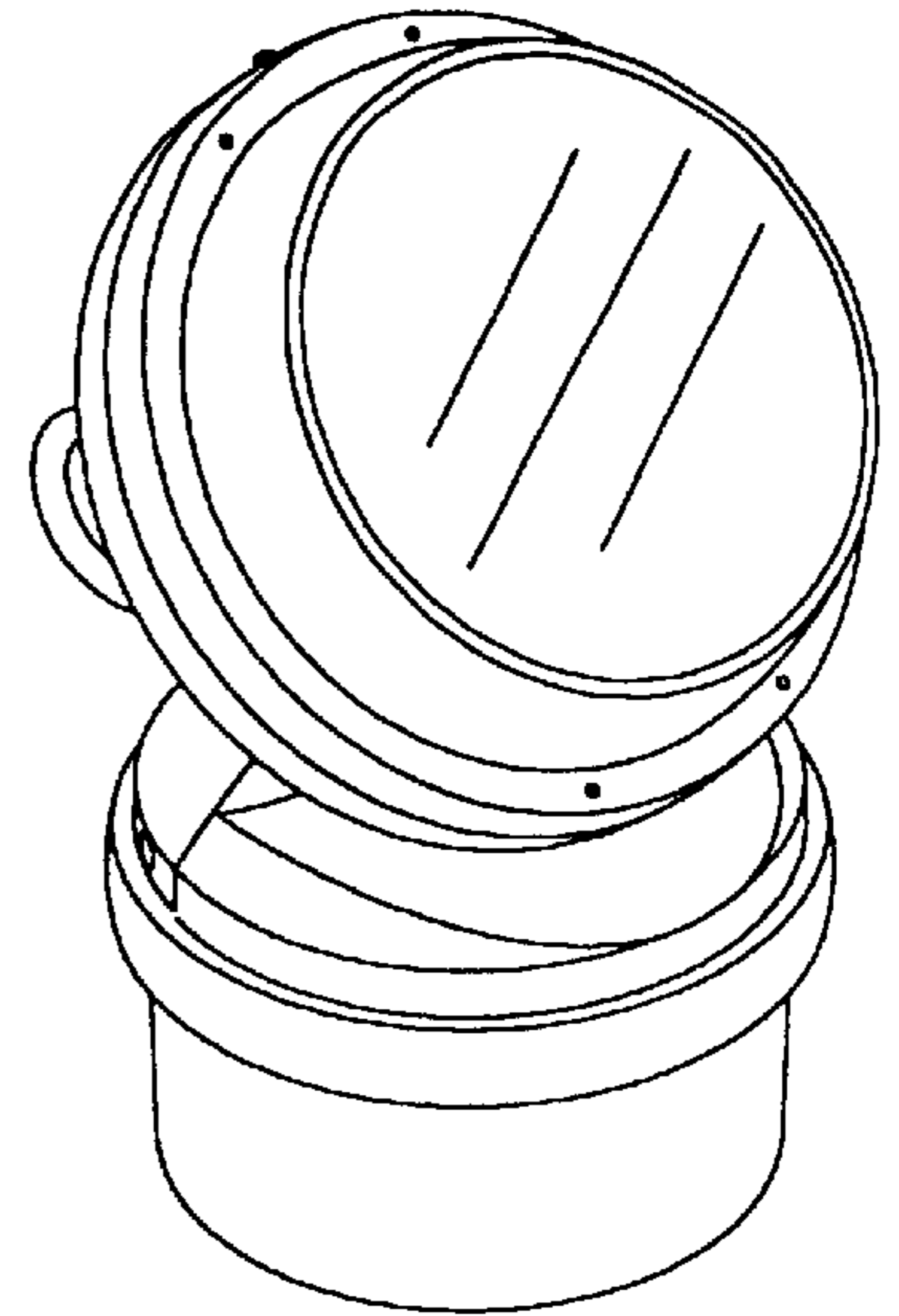


FIG. 2

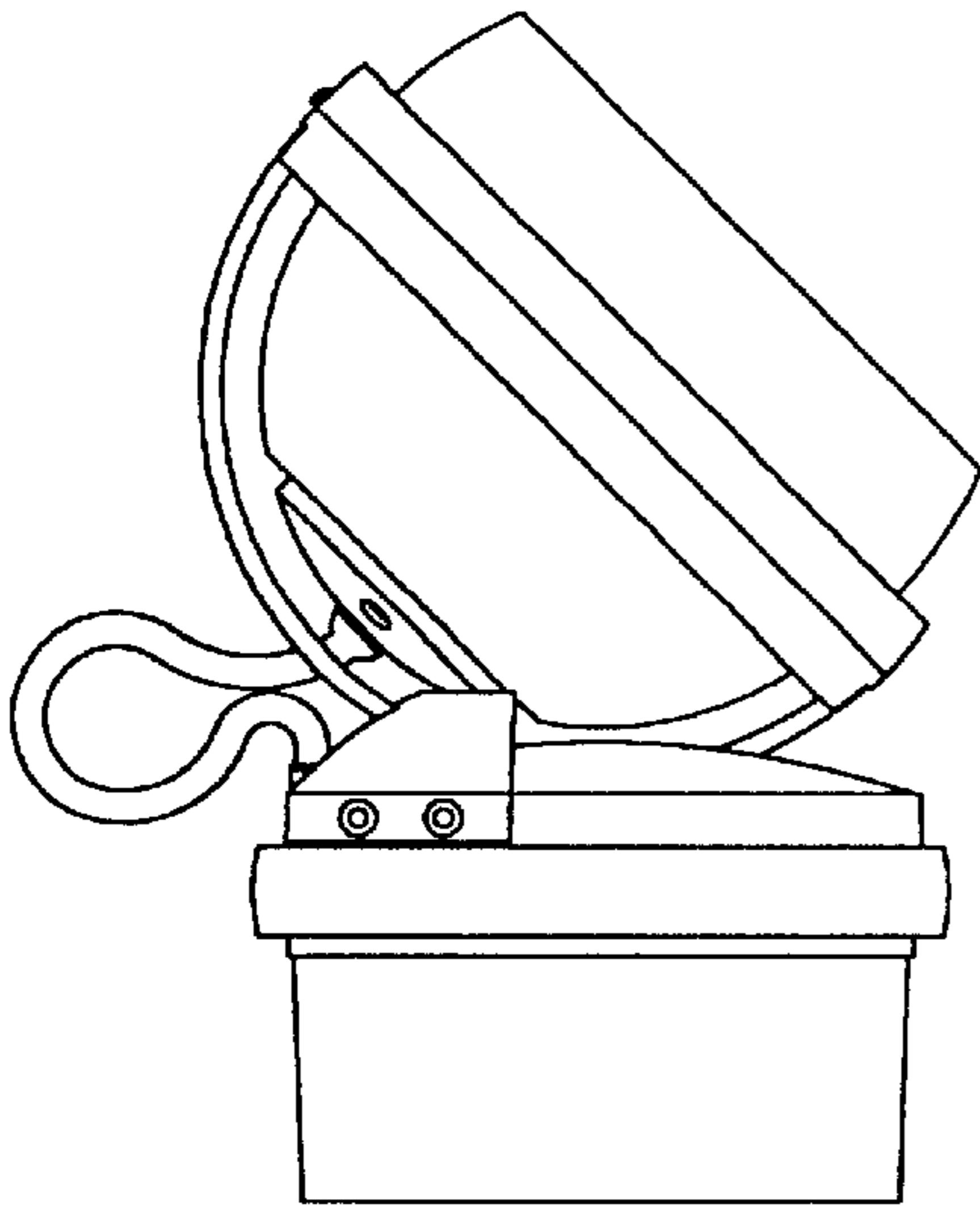


FIG. 3

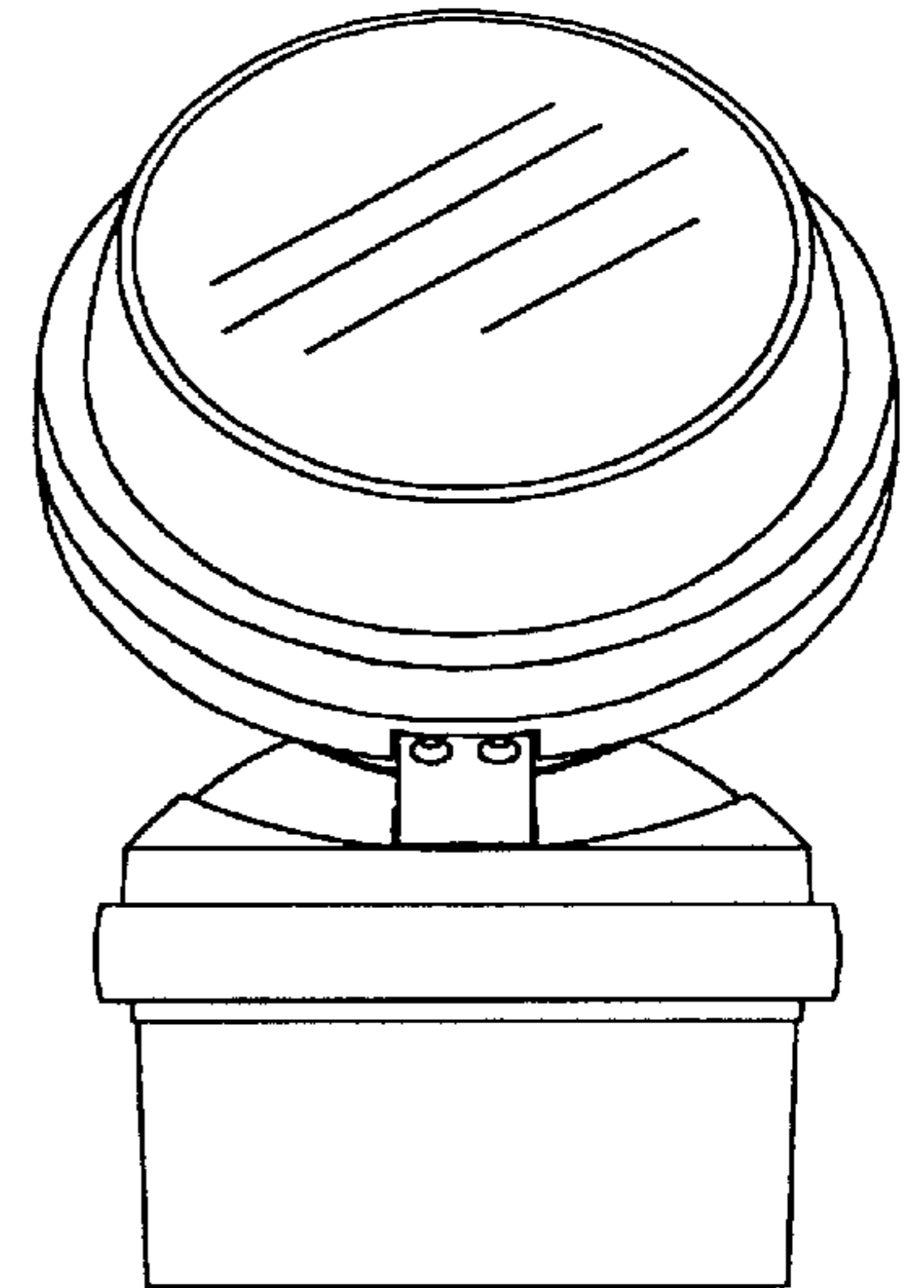


FIG. 4

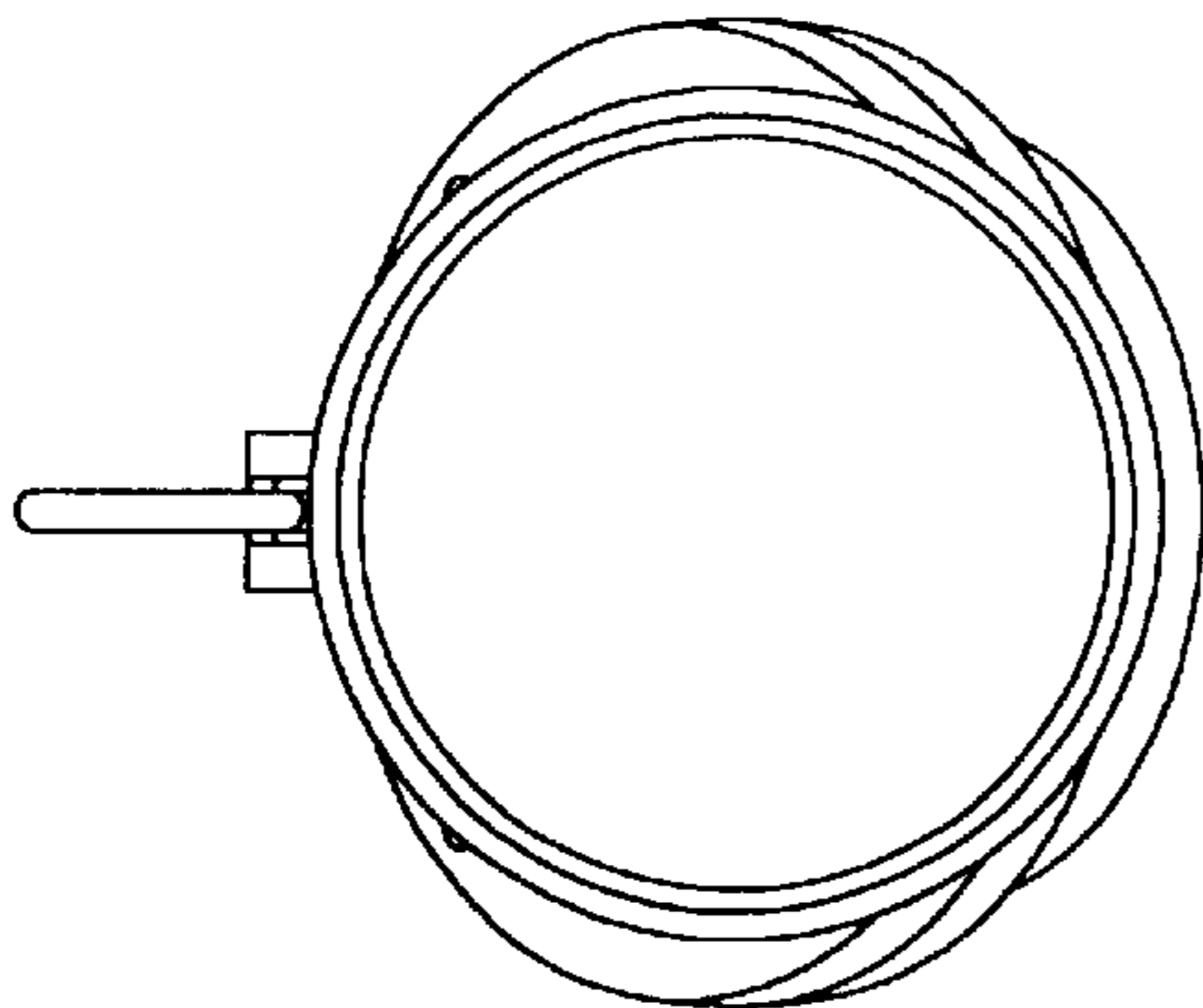


FIG. 5