



US00D468475S

(12) **United States Design Patent**
De Lucchi

(10) **Patent No.:** **US D468,475 S**

(45) **Date of Patent:** **** Jan. 7, 2003**

(54) **CEILING LAMP**

(75) Inventor: **Michele De Lucchi**, Milan (IT)

(73) Assignee: **Artemide S.p.A.**, Milan (IT)

(**) Term: **14 Years**

(21) Appl. No.: **29/149,205**

(22) Filed: **Oct. 4, 2001**

(30) **Foreign Application Priority Data**

Apr. 4, 2001 (IT) MI0100254

(51) **LOC (7) Cl.** **26-03**

(52) **U.S. Cl.** **D26/90**

(58) **Field of Search** D26/72, 80, 83-92,
D26/67-71; 362/404-408, 147, 310, 326,
341, 346-353, 362, 363

(56) **References Cited**

U.S. PATENT DOCUMENTS

- D84,764 S * 7/1931 Stange D26/88
- 3,895,229 A * 7/1975 Strom 362/351
- D285,977 S * 9/1986 De Pas et al. D26/76
- D313,861 S * 1/1991 Michael D26/72
- D422,737 S * 4/2000 Orozco D26/85

OTHER PUBLICATIONS

Taiwan Lighting, Aug. 2001, p. 65, item No. 53911 "Wall".
(approx. center right of page).*

* cited by examiner

Primary Examiner—Brian N. Vinson

Assistant Examiner—Clare E. Heflin

(74) *Attorney, Agent, or Firm*—Pitney, Hardin, Kipp & Szuch LLP

(57) **CLAIM**

The ornamental design for a ceiling lamp, substantially as shown.

DESCRIPTION

FIG. 1 is a front view of my new design relating to a ceiling lamp;

FIG. 2 is a left side view thereof;

FIG. 3 is a right side view thereof;

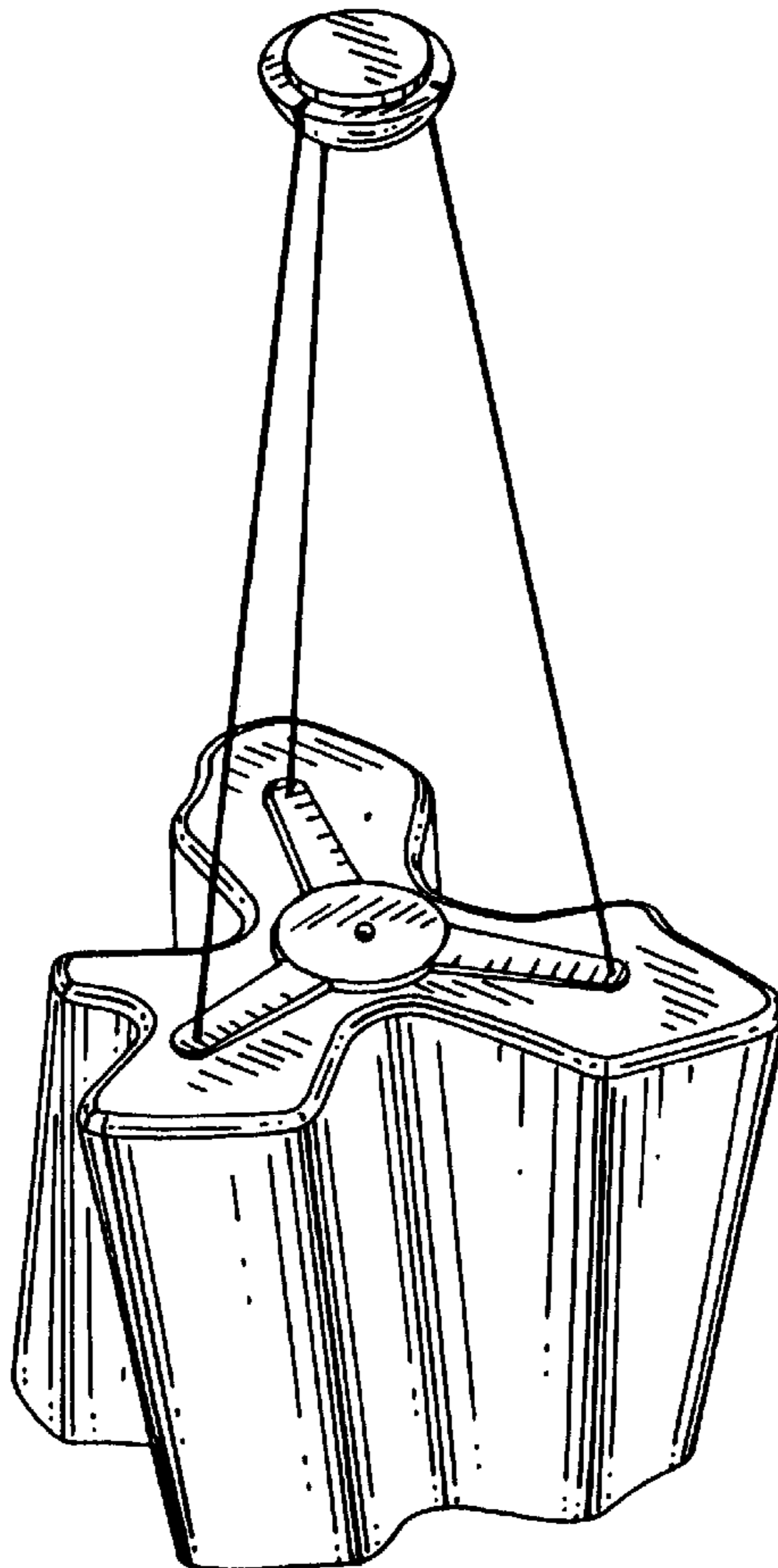
FIG. 4 is a rear view thereof;

FIG. 5 is a bottom plan view thereof;

FIG. 6 is a top plan view thereof; and,

FIG. 7 is a three-quarter top view in perspective thereof.

1 Claim, 3 Drawing Sheets



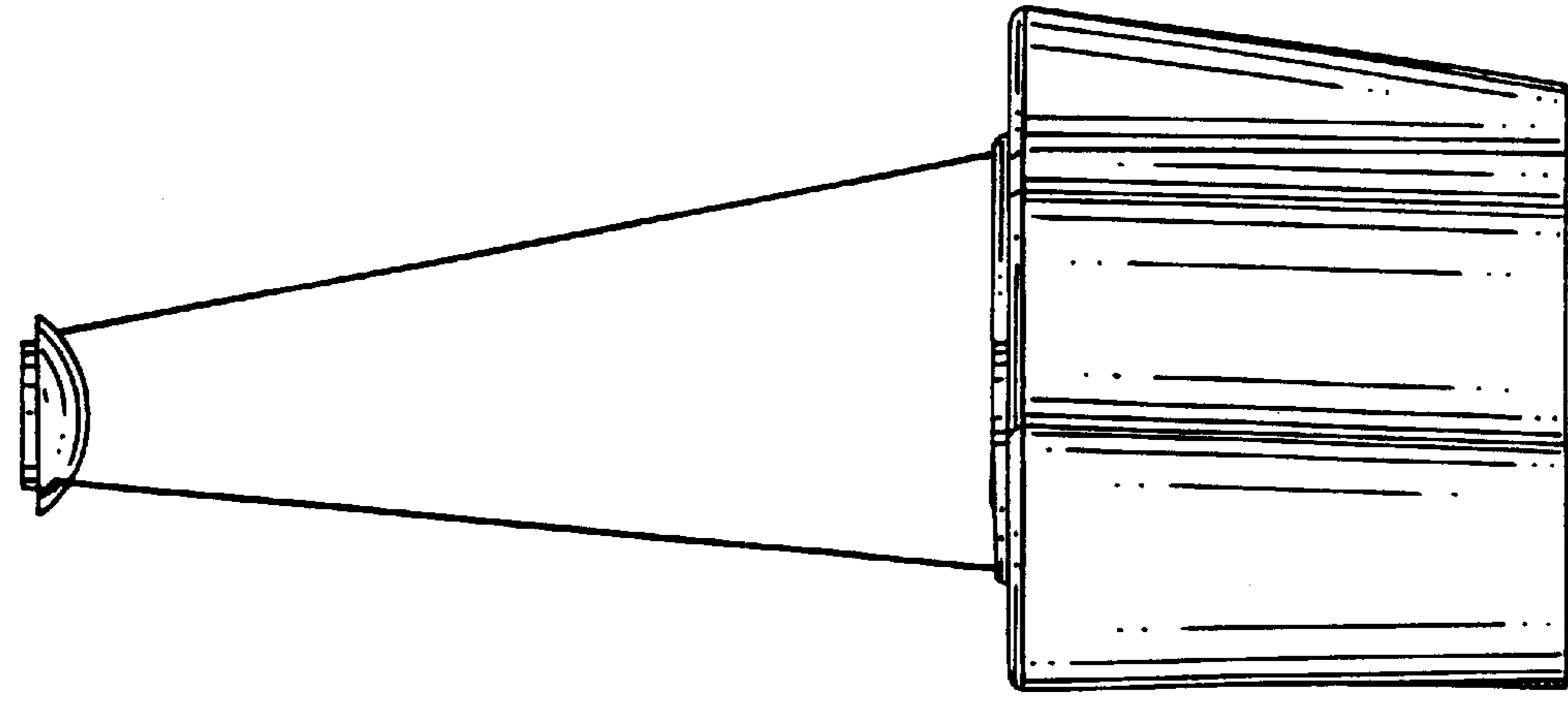


Fig.2.

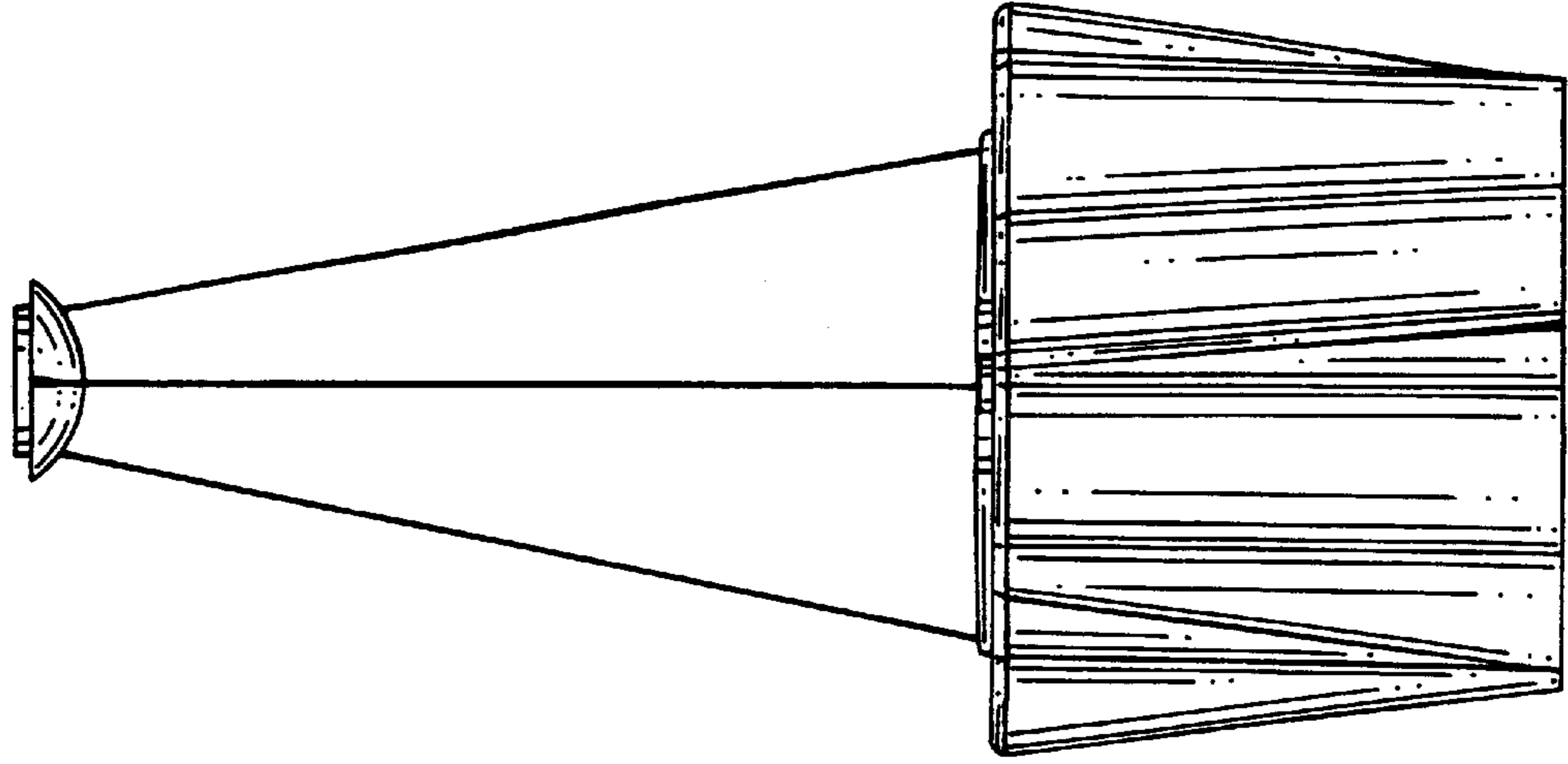


Fig.1.

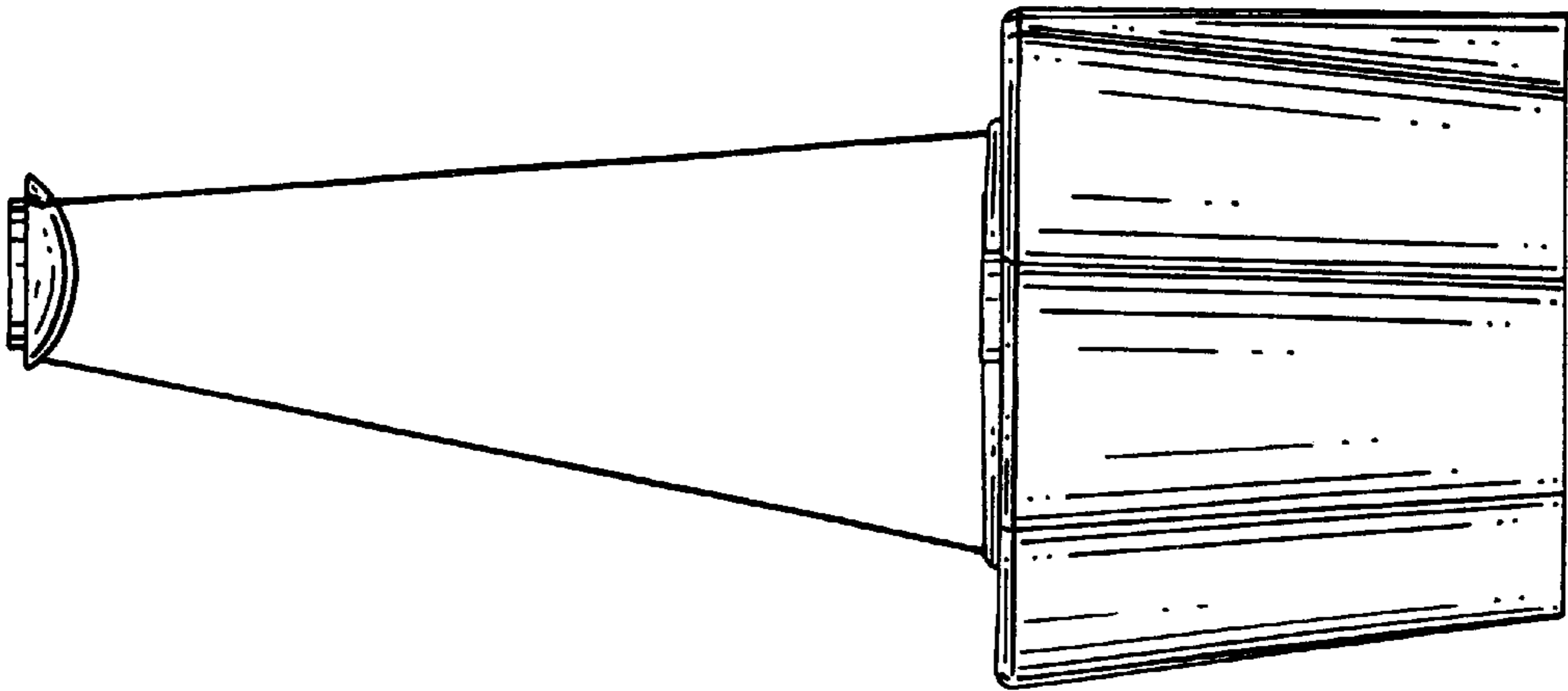


Fig.3.

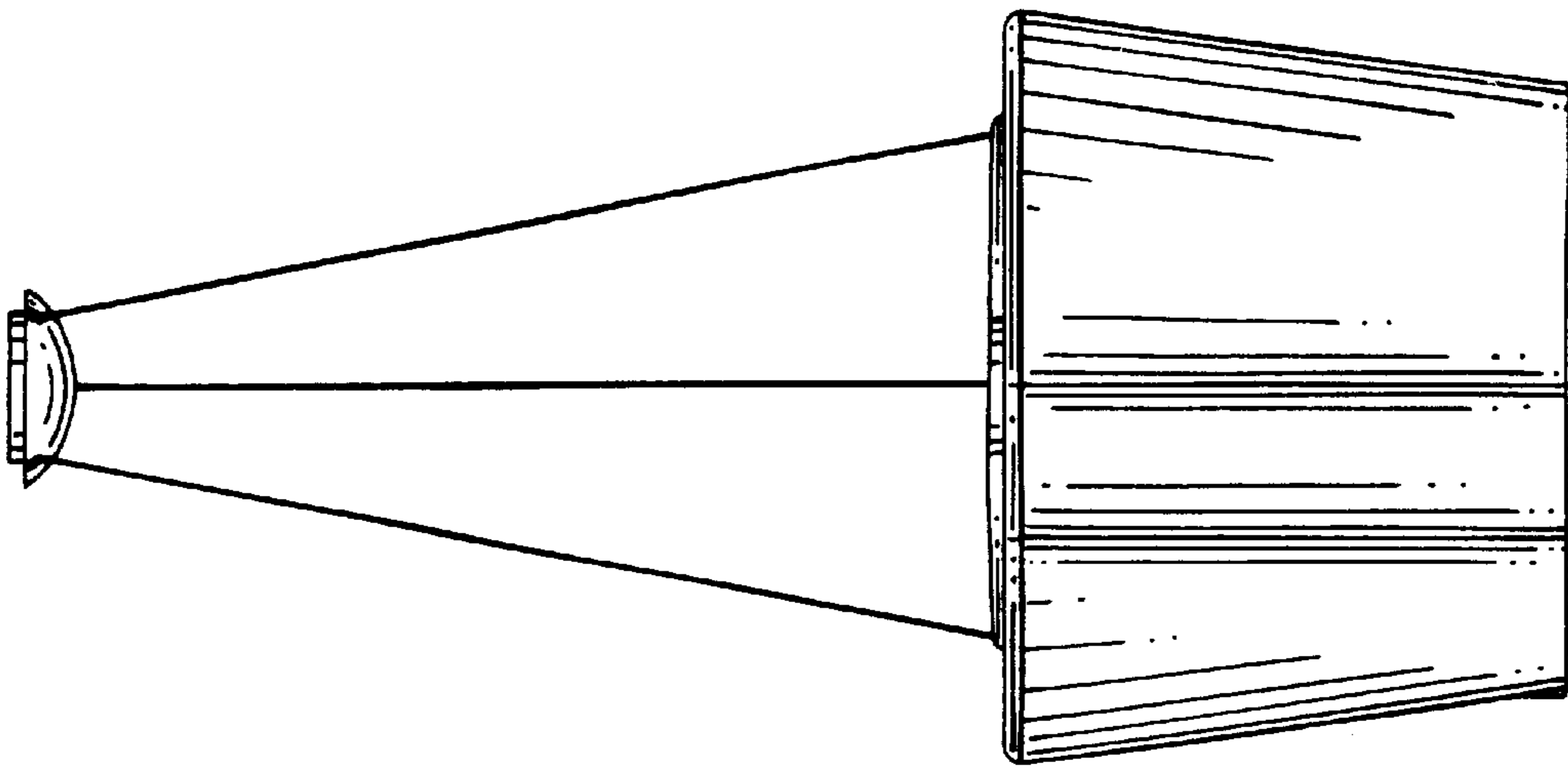


Fig. 4.

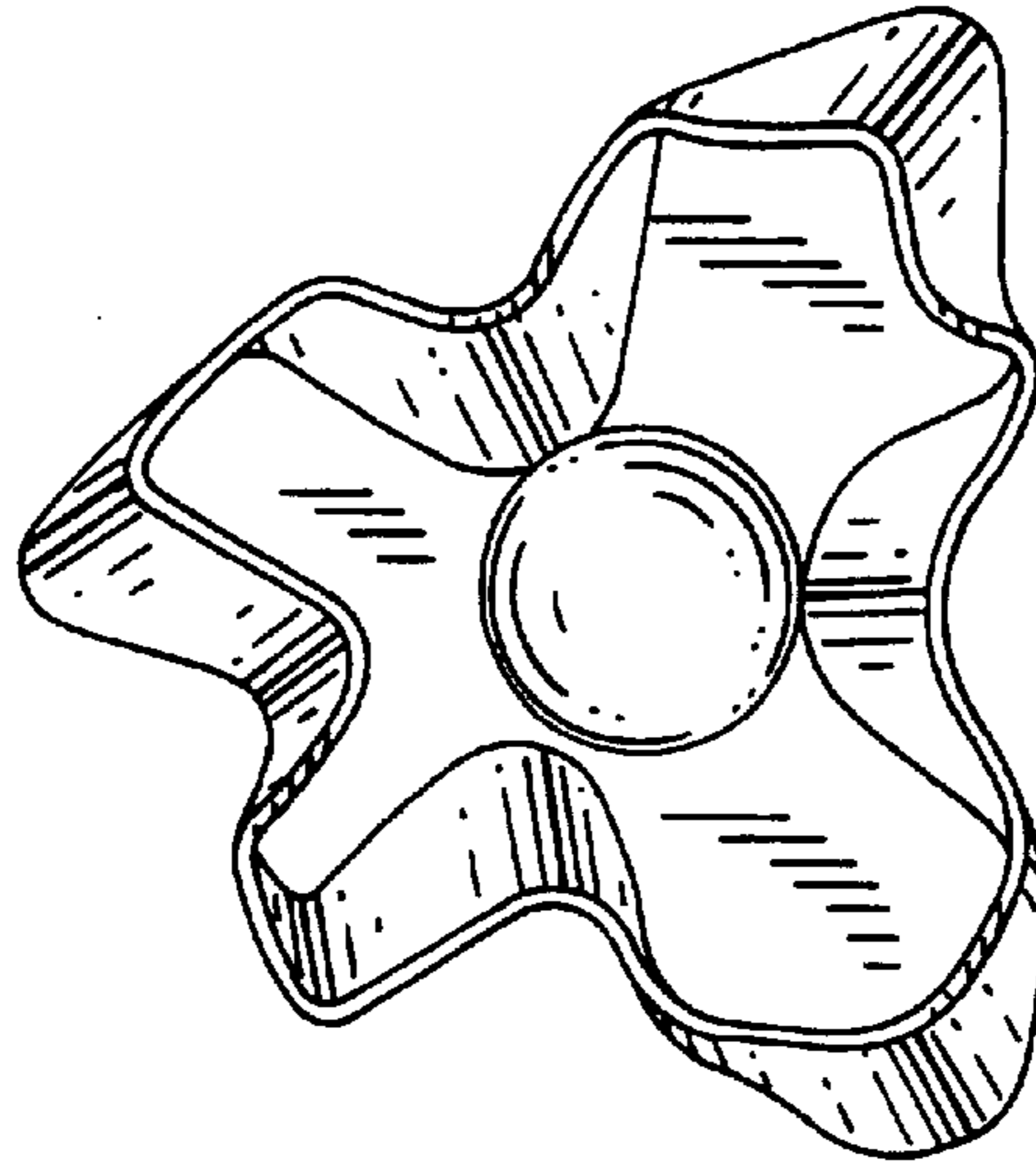


Fig. 5.

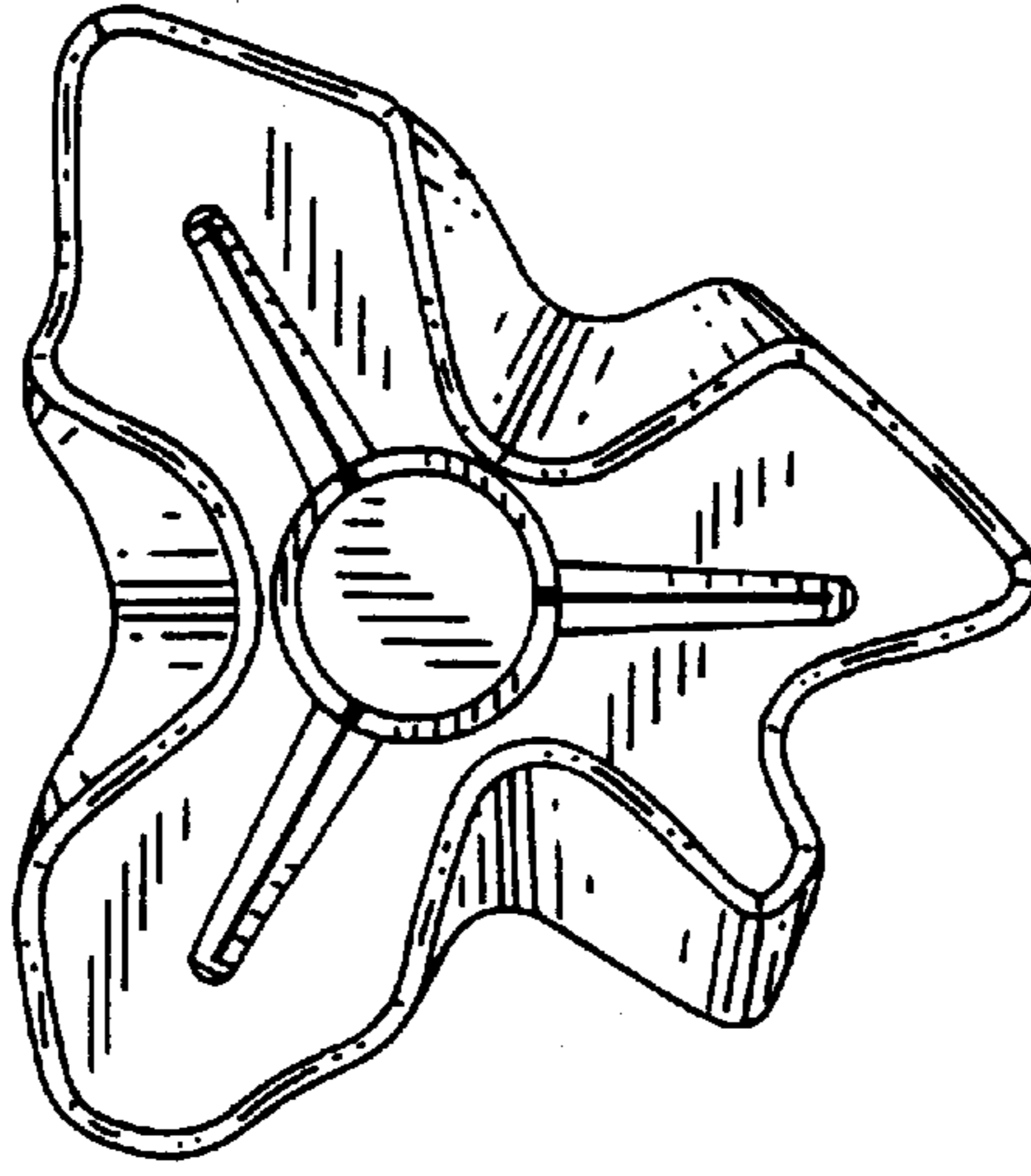


Fig. 6.

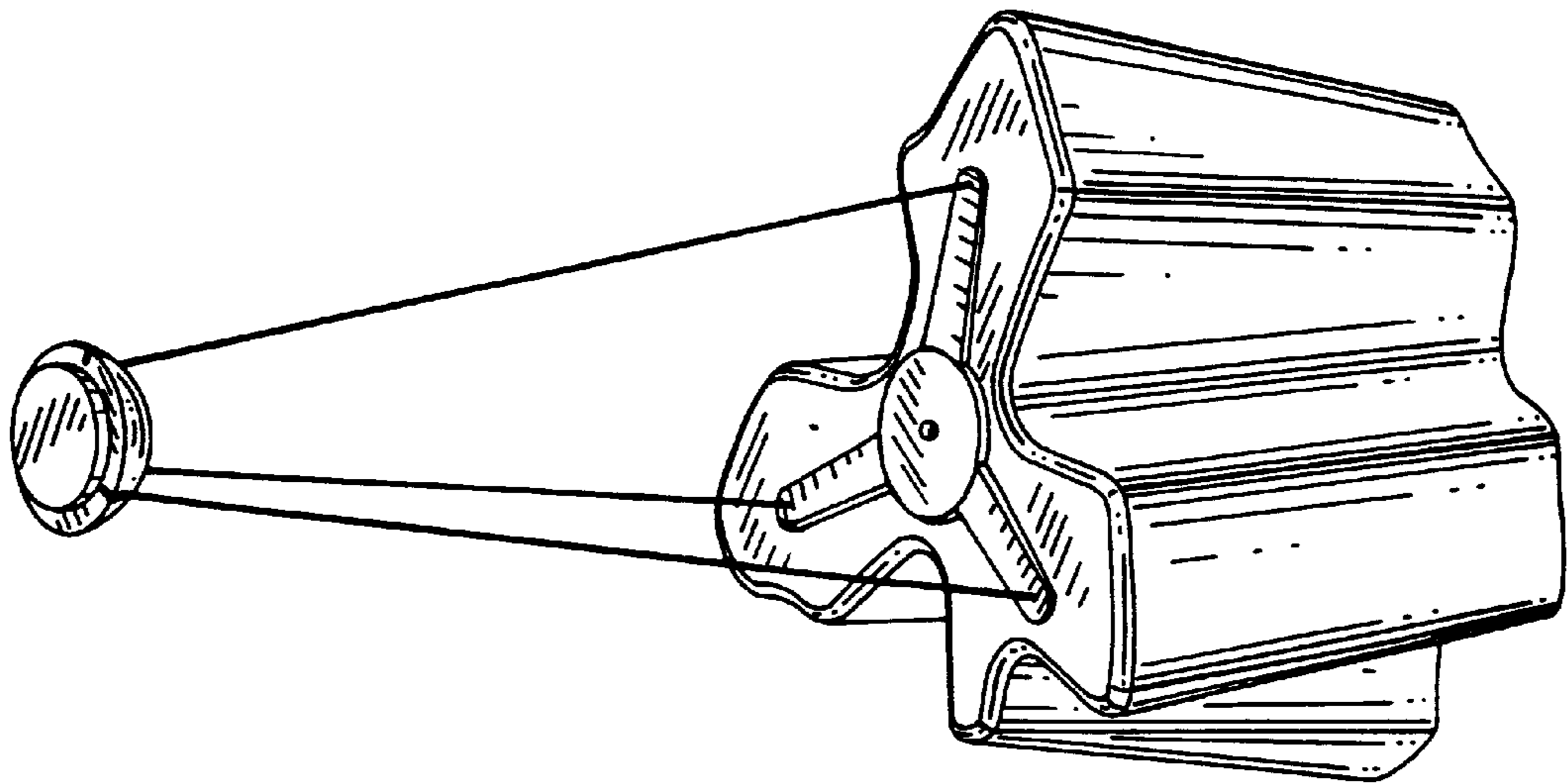


Fig.7.