



US00D468472S

(12) **United States Design Patent**
Mullally et al.

(10) **Patent No.:** **US D468,472 S**

(45) **Date of Patent:** **** Jan. 7, 2003**

(54) **LIGHTING UNIT**

(75) Inventors: **Jeffery Mullally**, Milford, CT (US);
Willfred Goldschmidt, Weston, CT
(US); **Irving Schaffer**, Fairfield, CT
(US)

(73) Assignee: **Hubbell Incorporated**, Orange, CT
(US)

(**) Term: **14 Years**

(21) Appl. No.: **29/156,363**

(22) Filed: **Mar. 1, 2002**

(51) **LOC (7) Cl.** **26-05**

(52) **U.S. Cl.** **D26/67**

(58) **Field of Search** D26/67-72, 85,
D26/87, 92; D25/126, 127; 362/153, 153.1,
410-414, 431, 183, 276

(56) **References Cited**

U.S. PATENT DOCUMENTS

2,178,087 A	10/1939	Venting	
D191,593 S	* 10/1961	Fredericks	D26/26
D193,206 S	* 7/1962	Guggemos	D26/68
D217,288 S	* 4/1970	Noyes	D15/9.2
D223,440 S	4/1972	Noyes	
D224,558 S	* 8/1972	Selden	D25/127
D226,778 S	4/1973	Breed et al.	
D230,071 S	1/1974	Anderson	
D236,909 S	* 9/1975	Richilano	D26/68
4,225,909 A	9/1980	Scholz et al.	
4,264,945 A	4/1981	Ullman	
D263,102 S	* 2/1982	George et al.	D20/19
D294,066 S	* 2/1988	Ewing et al.	D26/71
4,787,019 A	11/1988	van den Broeke	
D301,175 S	* 5/1989	Benjamin	D26/67
4,847,741 A	7/1989	Boettinger	
D313,194 S	12/1990	Francisco	
D322,584 S	12/1991	Kawashima et al.	

D406,374 S	*	3/1999	Porter	D26/68
D439,858 S		4/2001	Decosse		
6,213,395 B1		4/2001	Dejaeger et al.		
6,265,984 B1		7/2001	Molinaroli		

* cited by examiner

Primary Examiner—Alan P. Douglas

Assistant Examiner—Clare E. Heflin

(74) *Attorney, Agent, or Firm*—Tara L. Hoffman; Alfred N. Goodman

(57) **CLAIM**

The ornamental design for a lighting unit, as shown and described.

DESCRIPTION

FIG. 1 is a perspective view of the lighting unit in accordance with the new design, showing a pole in dashed lines that supports the lighting unit;

FIG. 2 is a front elevational view of the lighting unit illustrated in FIG. 1;

FIG. 3 is a rear elevational view of the lighting unit illustrated in FIGS. 1 and 2;

FIG. 4 is a right side elevational view of the lighting unit illustrated in FIGS. 1-3;

FIG. 5 is a left side elevational view of the lighting unit illustrated in FIGS. 1-4;

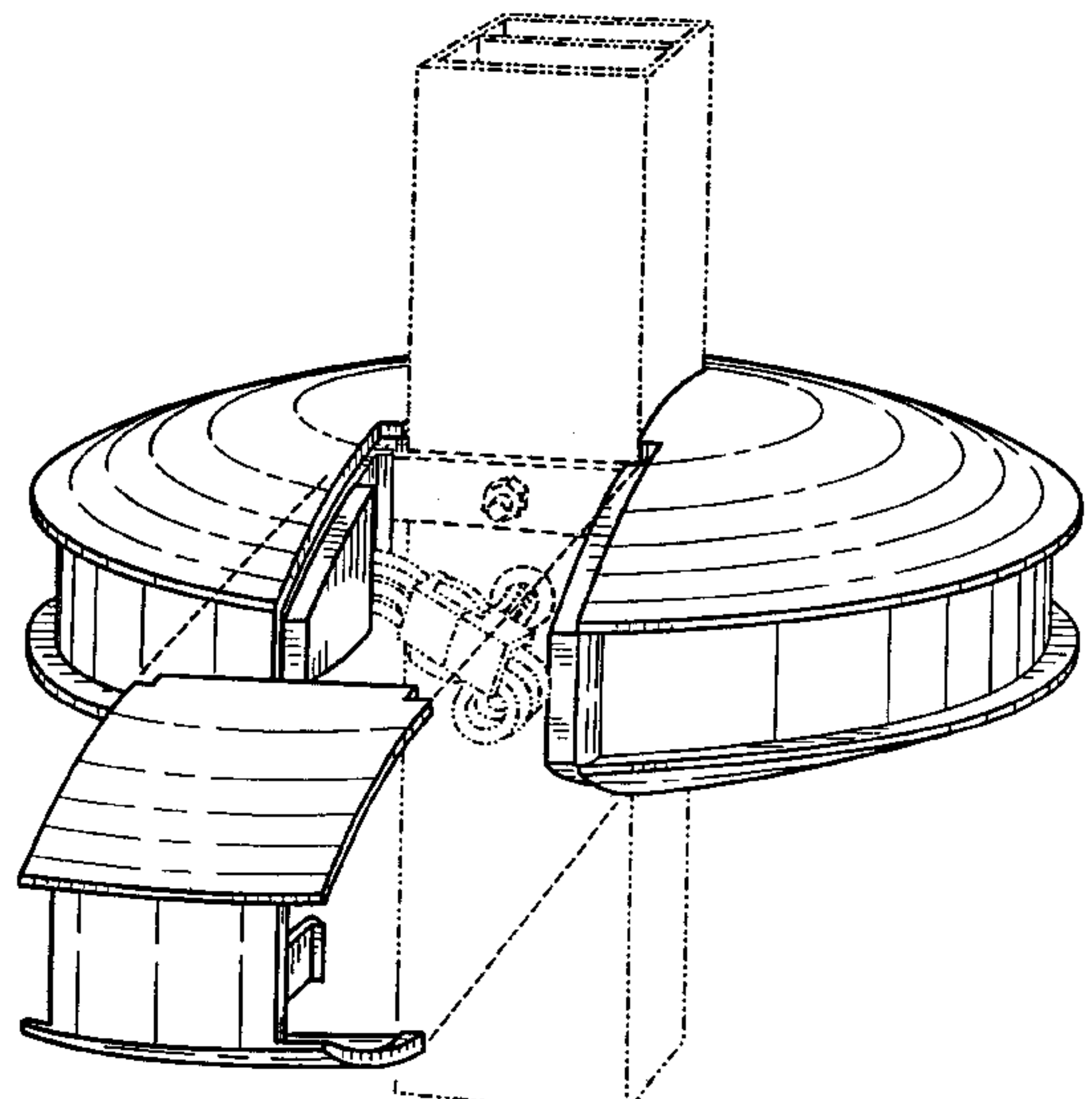
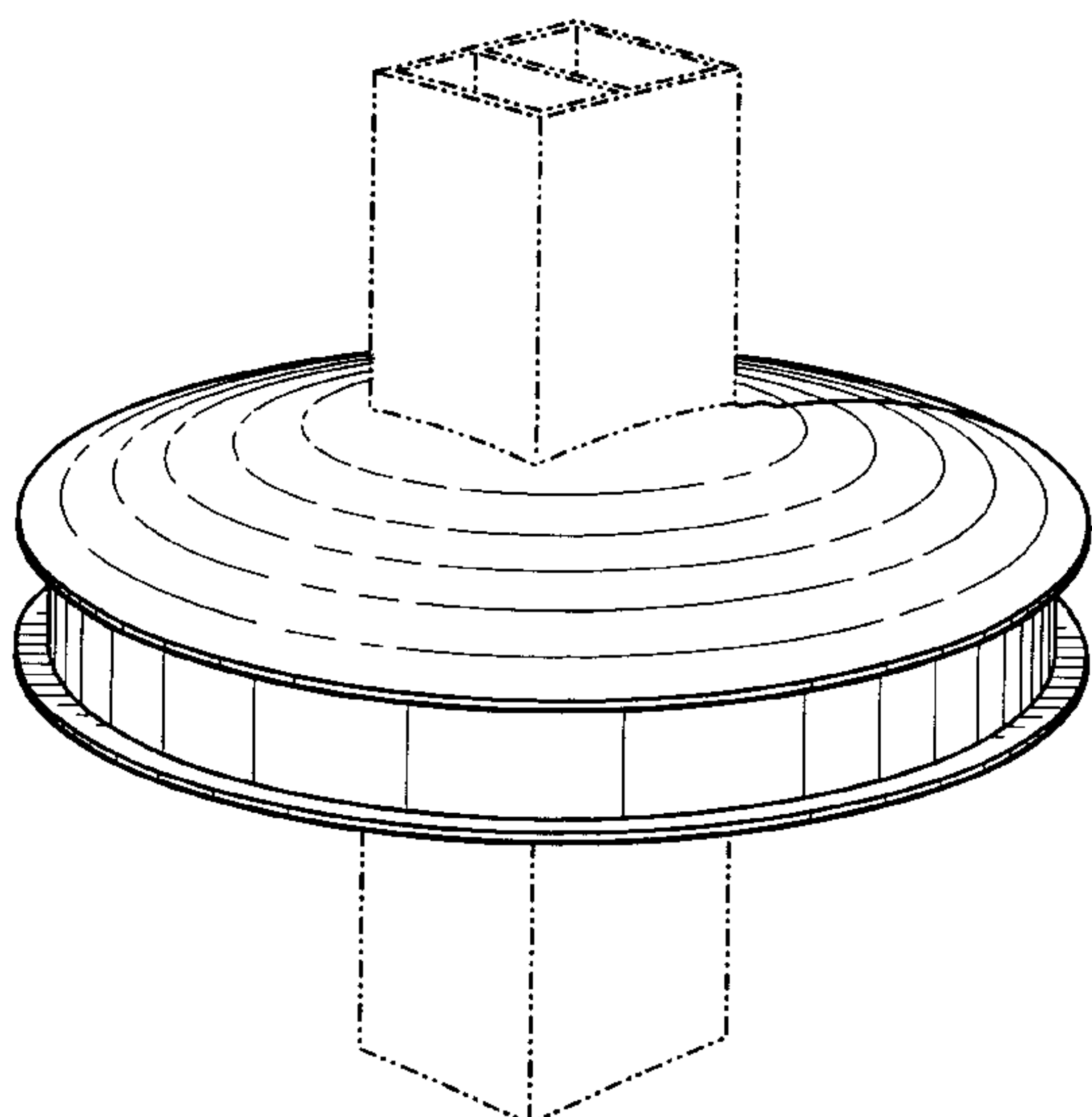
FIG. 6 is a top plan view of the lighting unit illustrated in FIGS. 1-5;

FIG. 7 is a bottom plan view of the lighting unit illustrated in FIGS. 1-6; and,

FIG. 8 is an exploded, rear, perspective view of the lighting unit illustrated in FIGS. 1-7, showing a portion of the lighting unit separated from the lighting unit and showing wiring of the lighting unit in dashed lines.

The broken lines shown on the drawings are for illustrative purposes only and form no part of the claimed design.

1 Claim, 5 Drawing Sheets



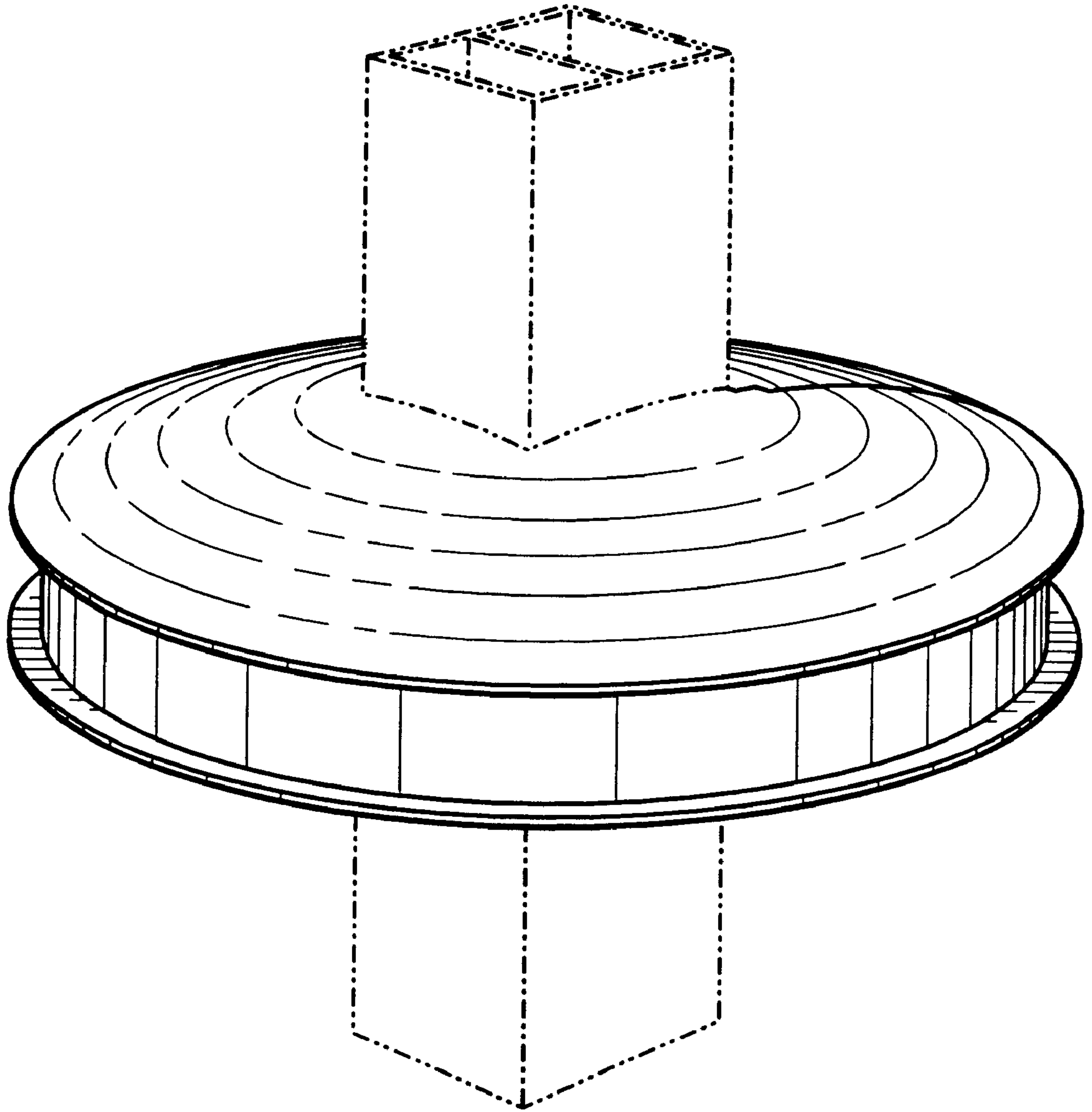
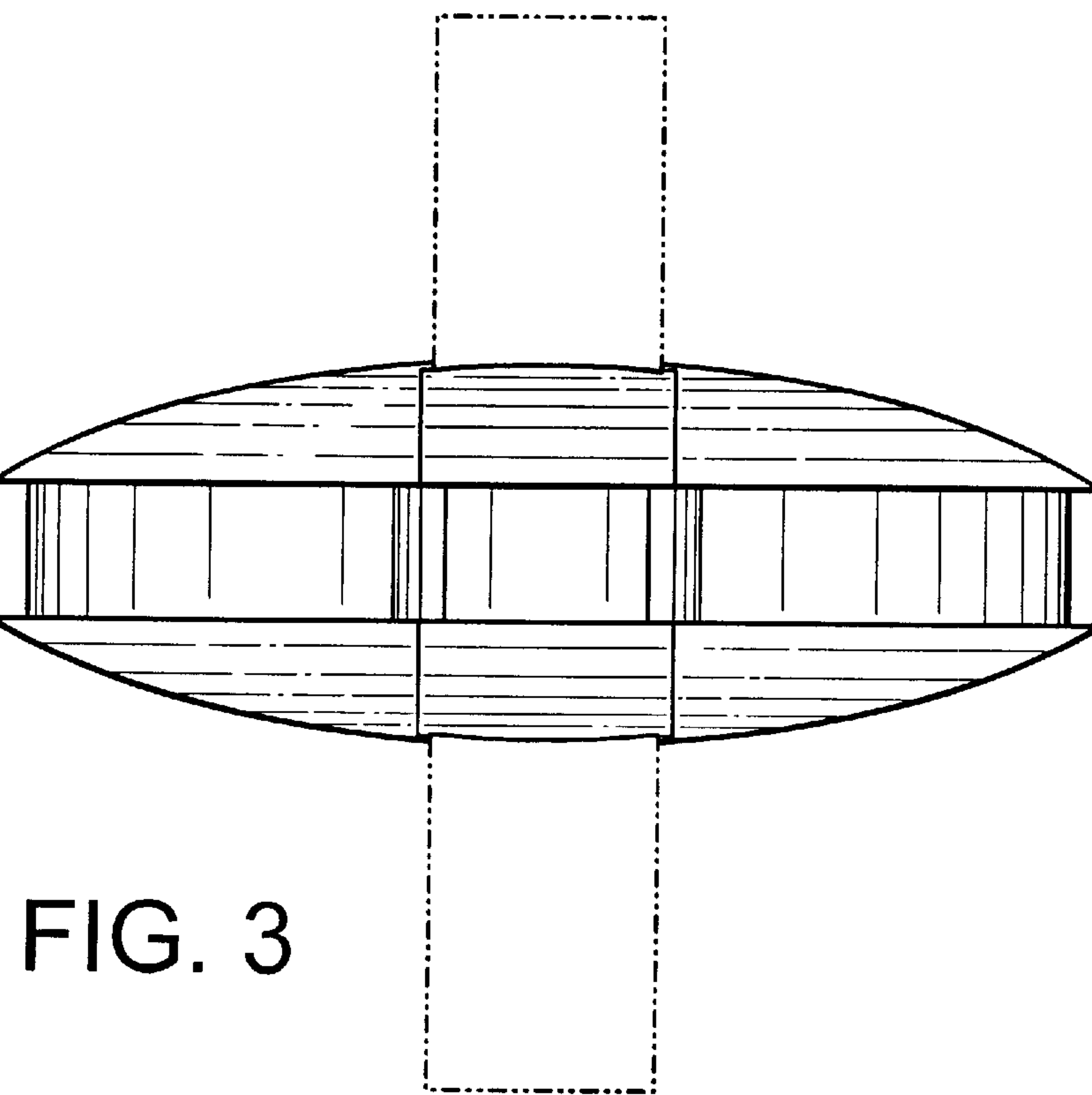
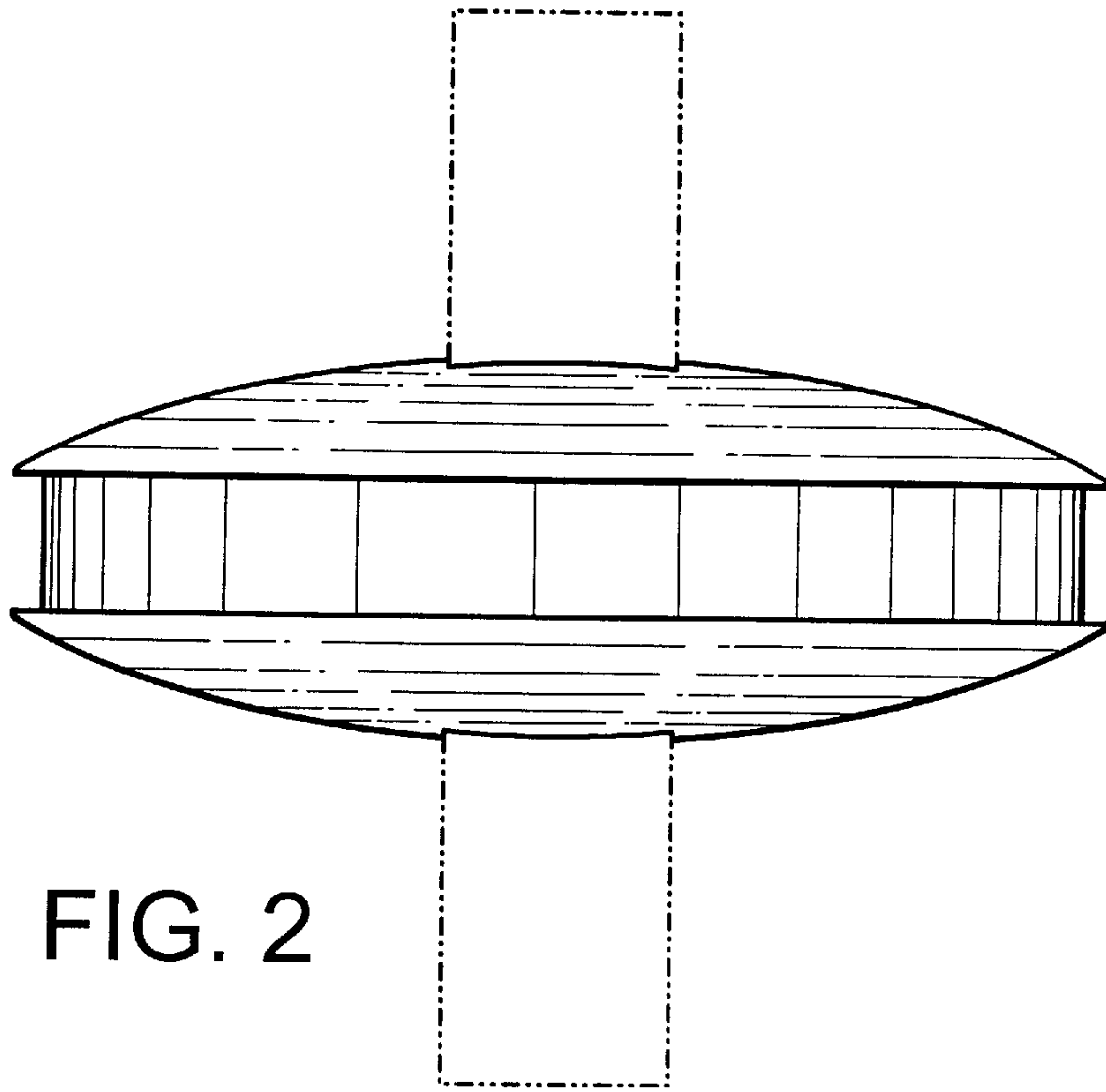


FIG. 1



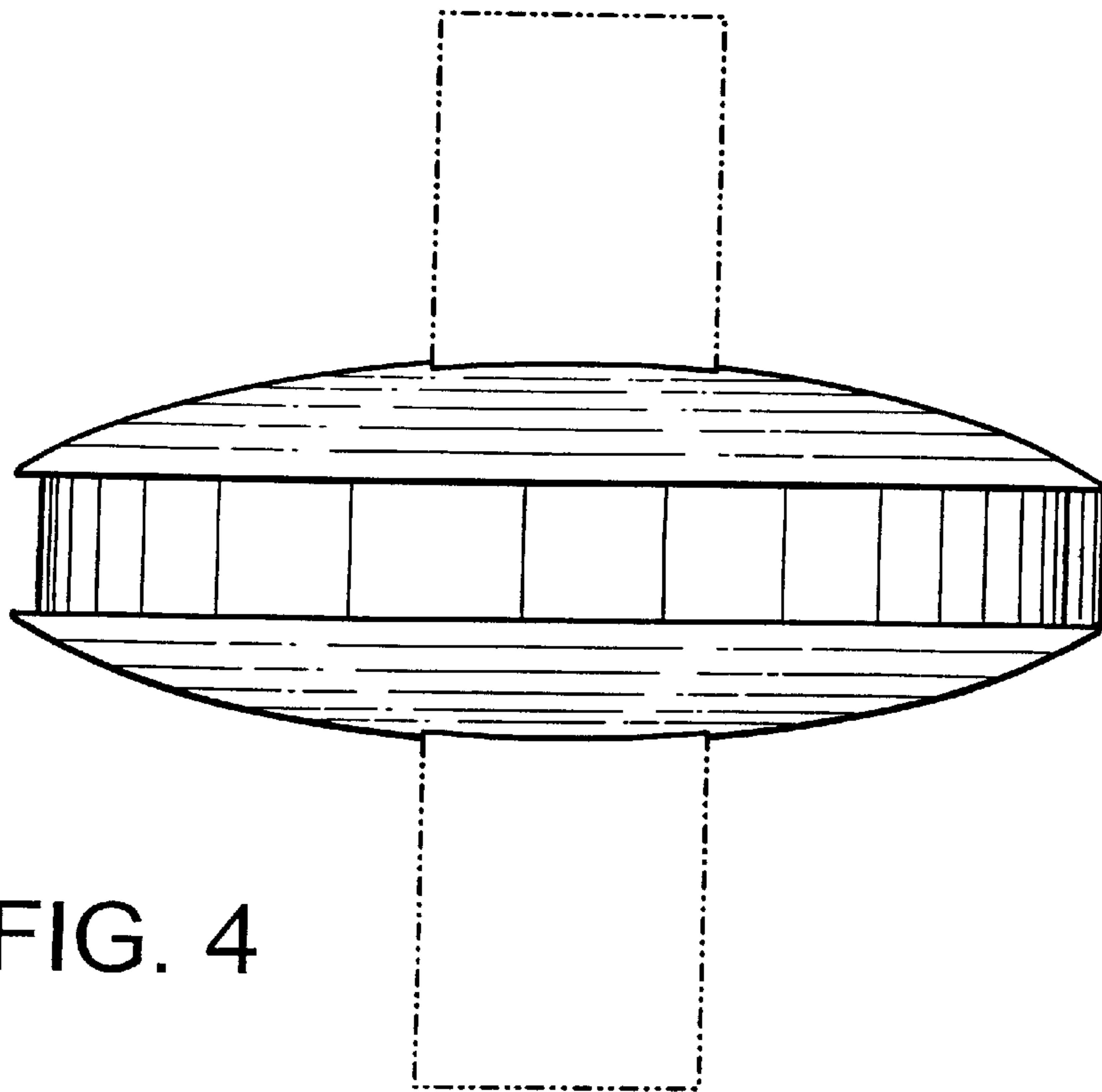


FIG. 4

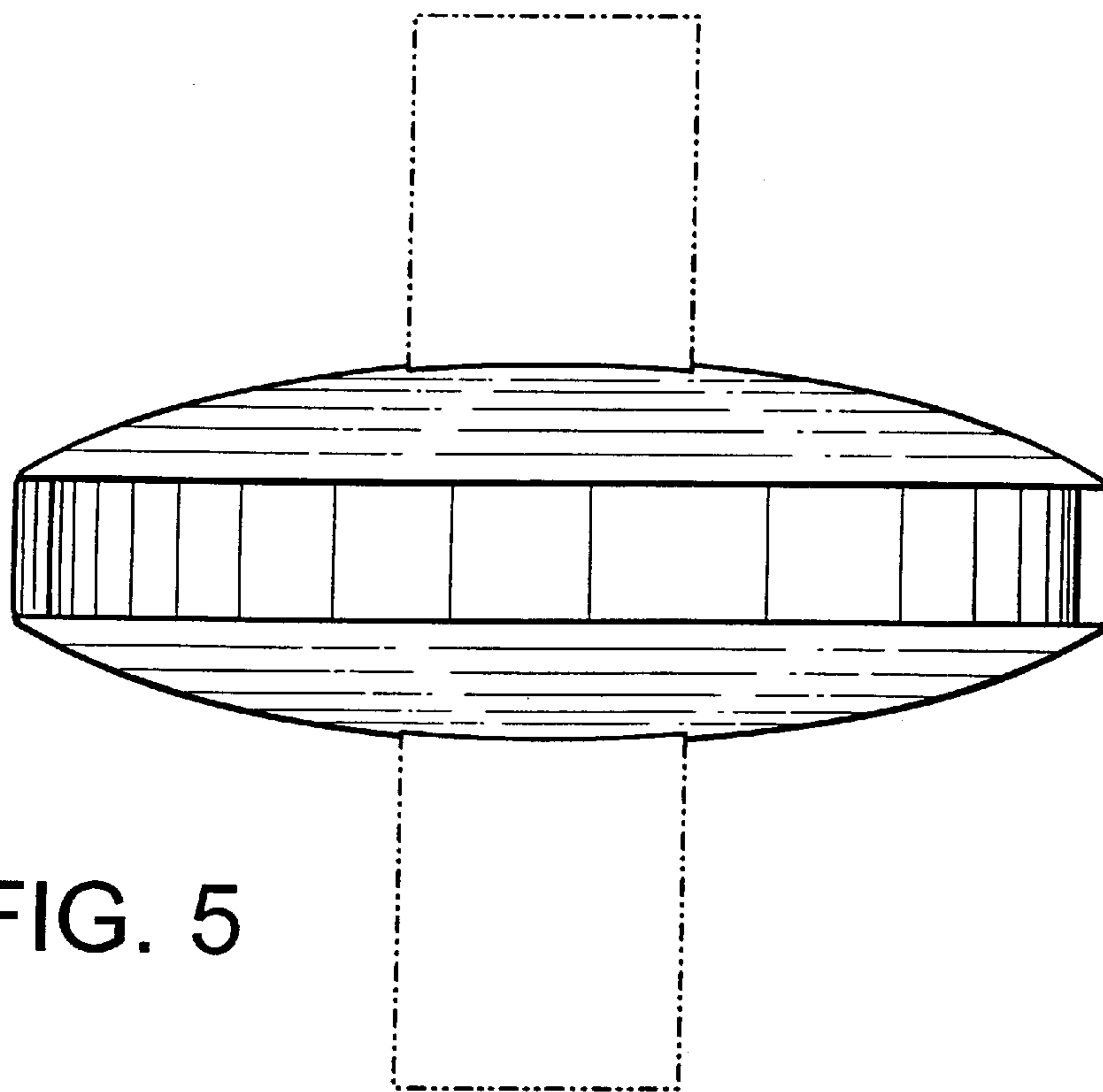


FIG. 5

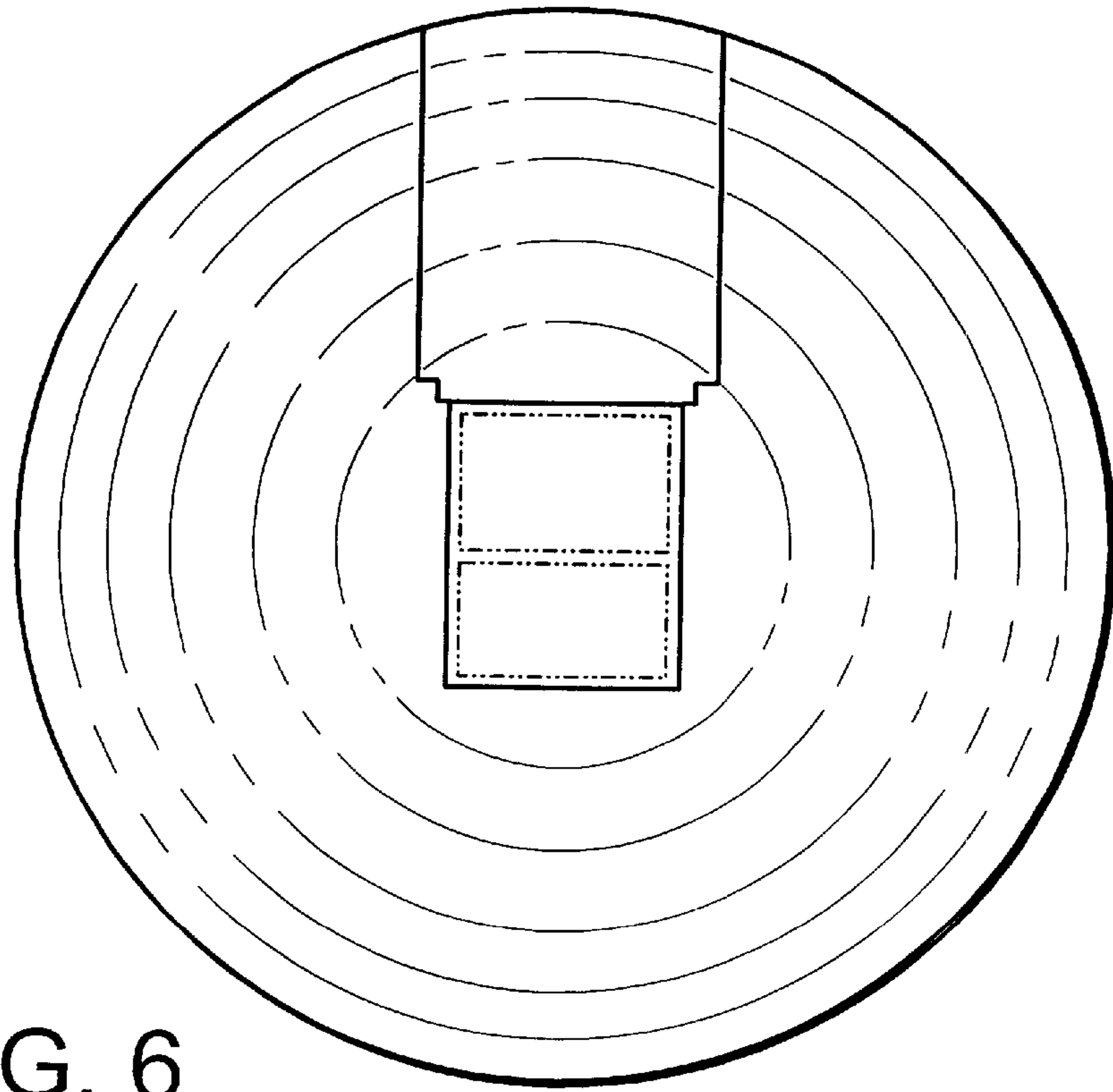


FIG. 6

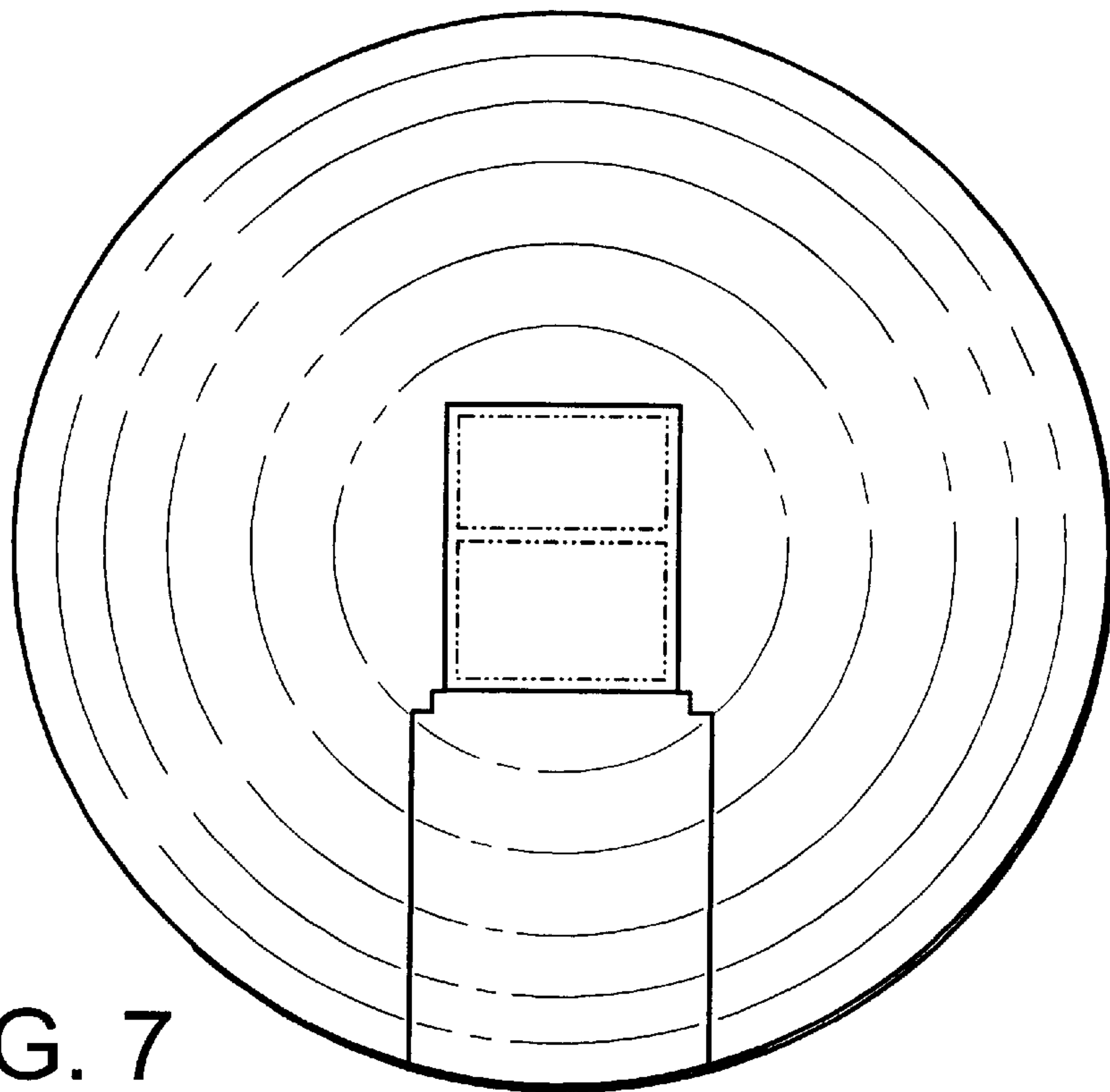


FIG. 7

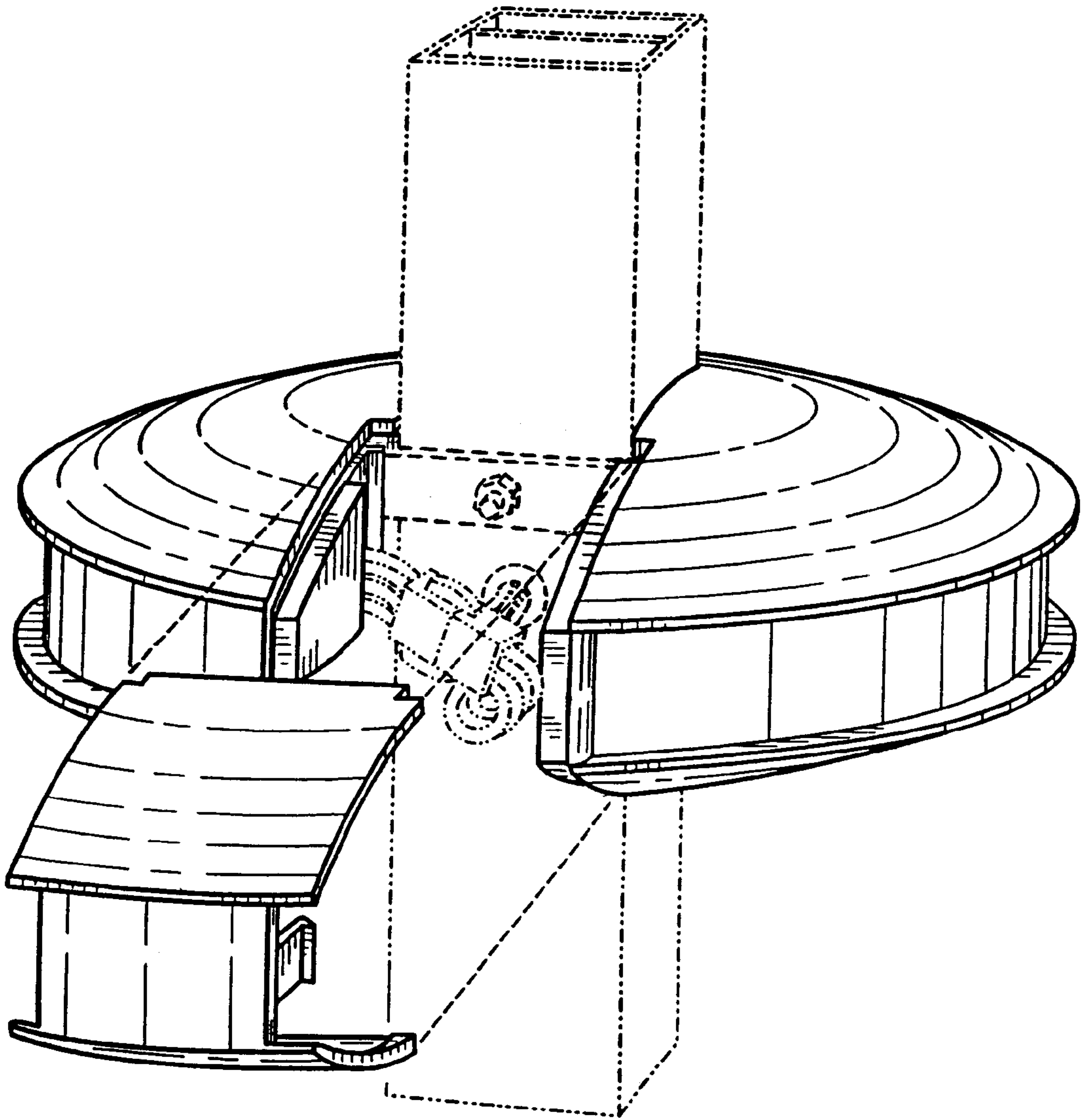


FIG. 8