



US00D468471S

(12) **United States Design Patent**  
**Chen**

(10) **Patent No.:** **US D468,471 S**

(45) **Date of Patent:** **\*\* Jan. 7, 2003**

(54) **SOLAR LIGHT**

D453,388 S \* 2/2002 Leen ..... D26/67

(75) Inventor: **Chi-Gon Chen**, Guang Zhou (CN)

\* cited by examiner

(73) Assignee: **International Development Corporation**, Southlake, TX (US)

*Primary Examiner*—Marcus A. Jackson

(74) *Attorney, Agent, or Firm*—Gardere Wynne Sewell LLP; Sanford E. Warren, Jr.; Kenneth T. Emanuelson

(\*\*) Term: **14 Years**

(57) **CLAIM**

(21) Appl. No.: **29/150,305**

The ornamental design for a solar light, as shown and described.

(22) Filed: **Nov. 20, 2001**

(51) **LOC (7) Cl.** ..... **26-05**

(52) **U.S. Cl.** ..... **D26/67**

(58) **Field of Search** ..... D26/67-71, 93,  
D26/104-112; 362/153, 153.1, 410-414,  
431

**DESCRIPTION**

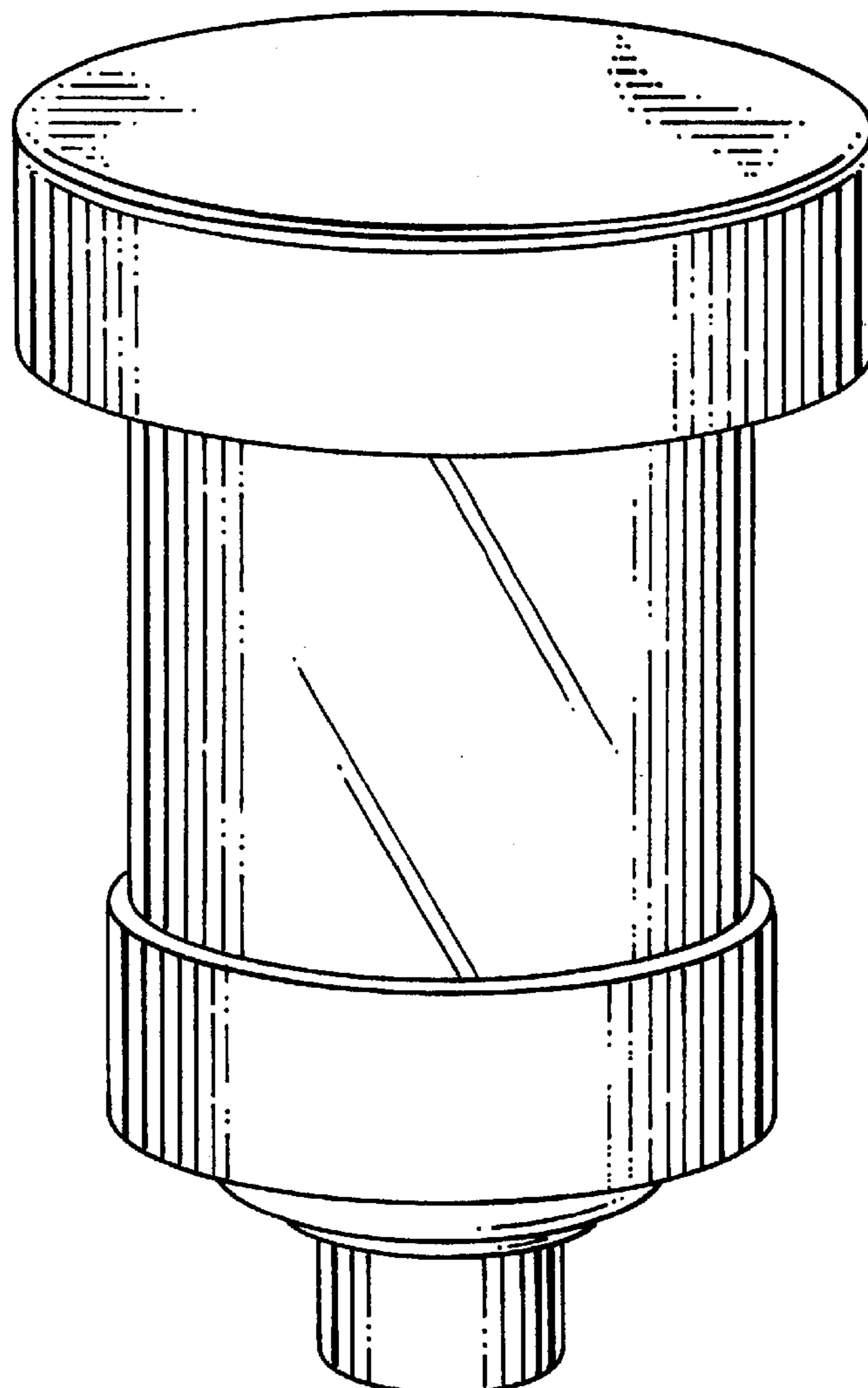
FIG. 1 is a perspective view showing my design;  
FIG. 2 is a front elevation view of the solar light;  
FIG. 3 is a rear elevation view of the solar light;  
FIG. 4 is a right side elevation view of the solar light;  
FIG. 5 is a left side elevation of the solar light;  
FIG. 6 is a top plan view of the solar light; and,  
FIG. 7 is a bottom plan view of the solar light.

(56) **References Cited**

**U.S. PATENT DOCUMENTS**

D444,584 S \* 7/2001 Landefeld ..... D26/67

**1 Claim, 4 Drawing Sheets**



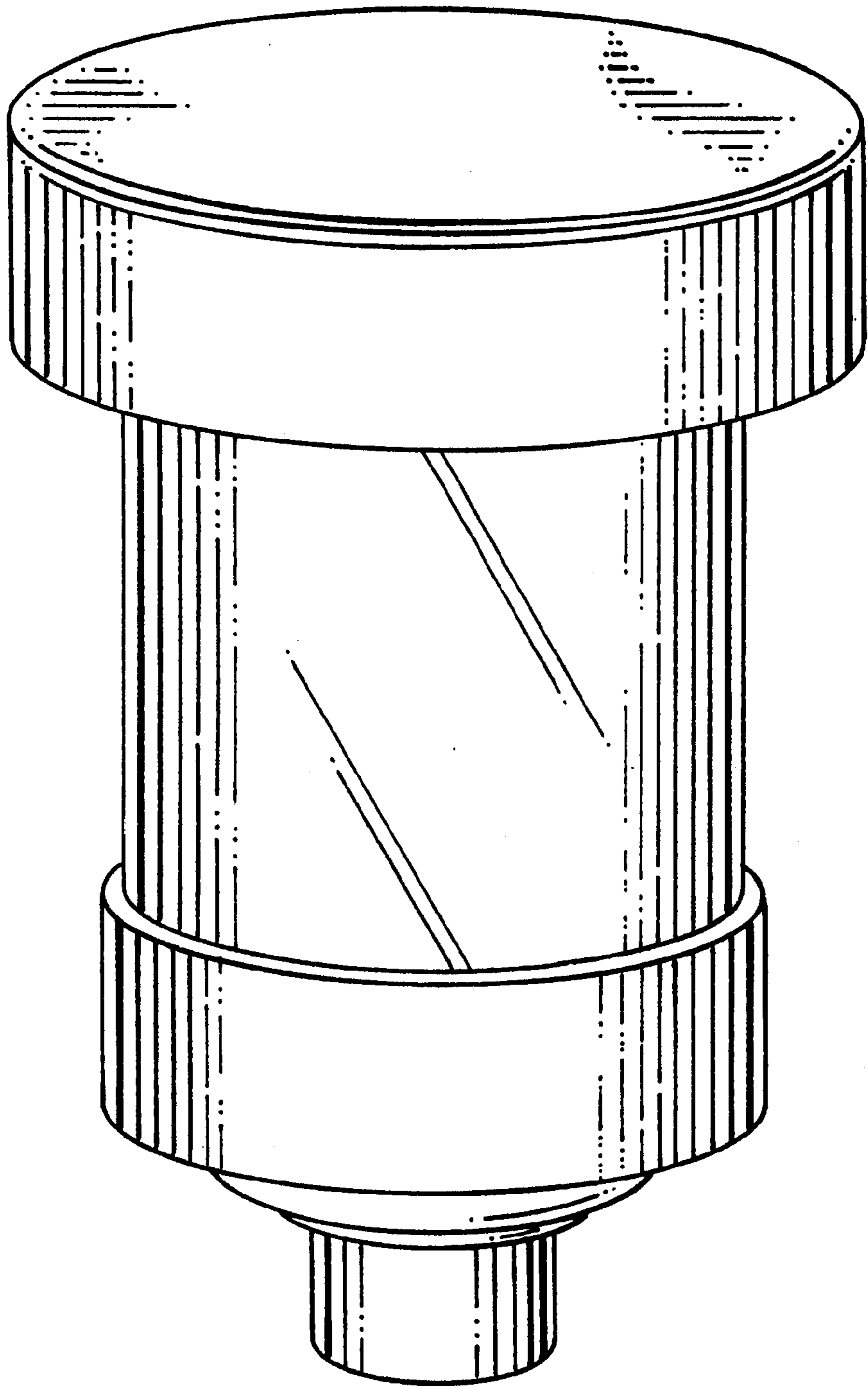


FIG. 1

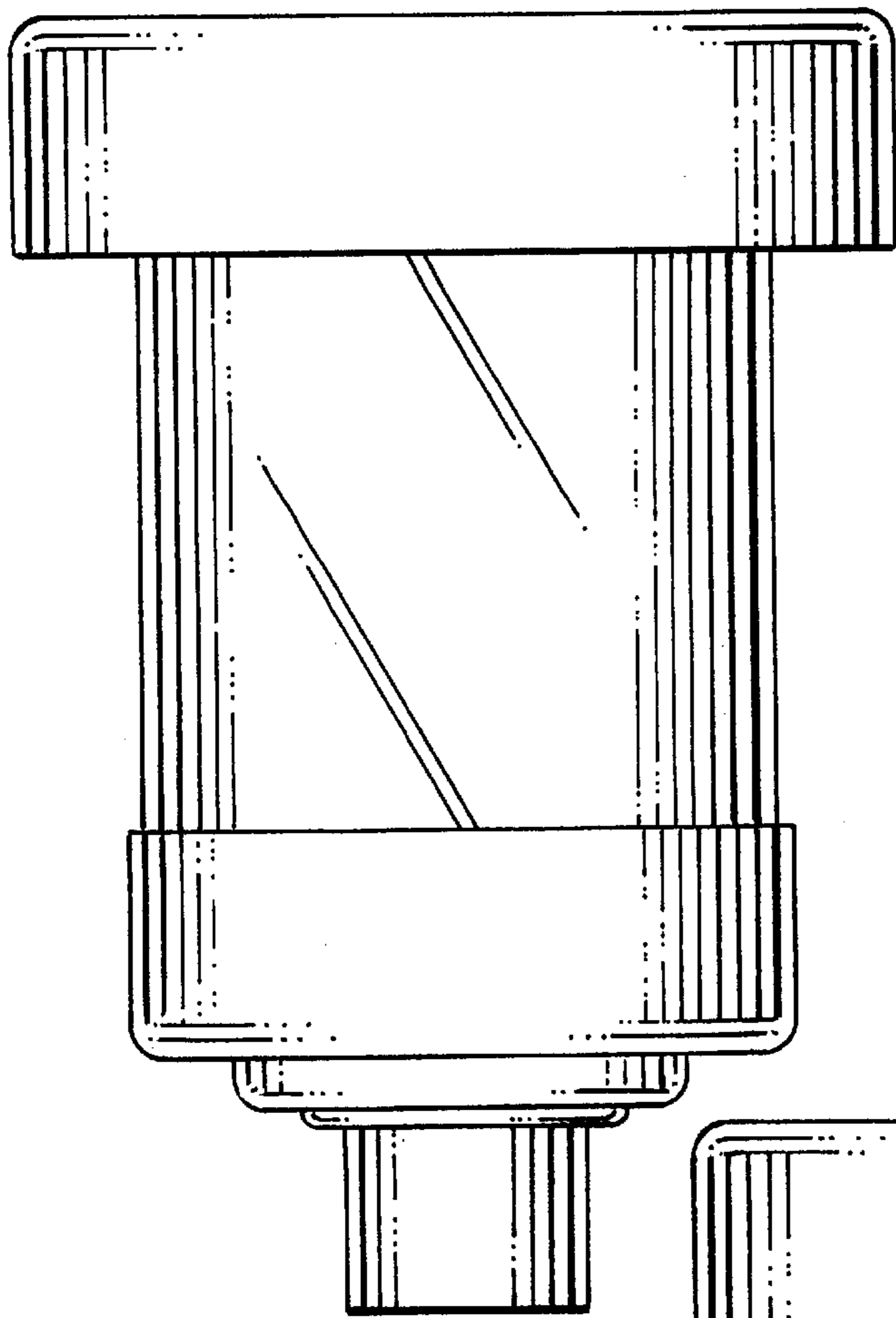


FIG. 2

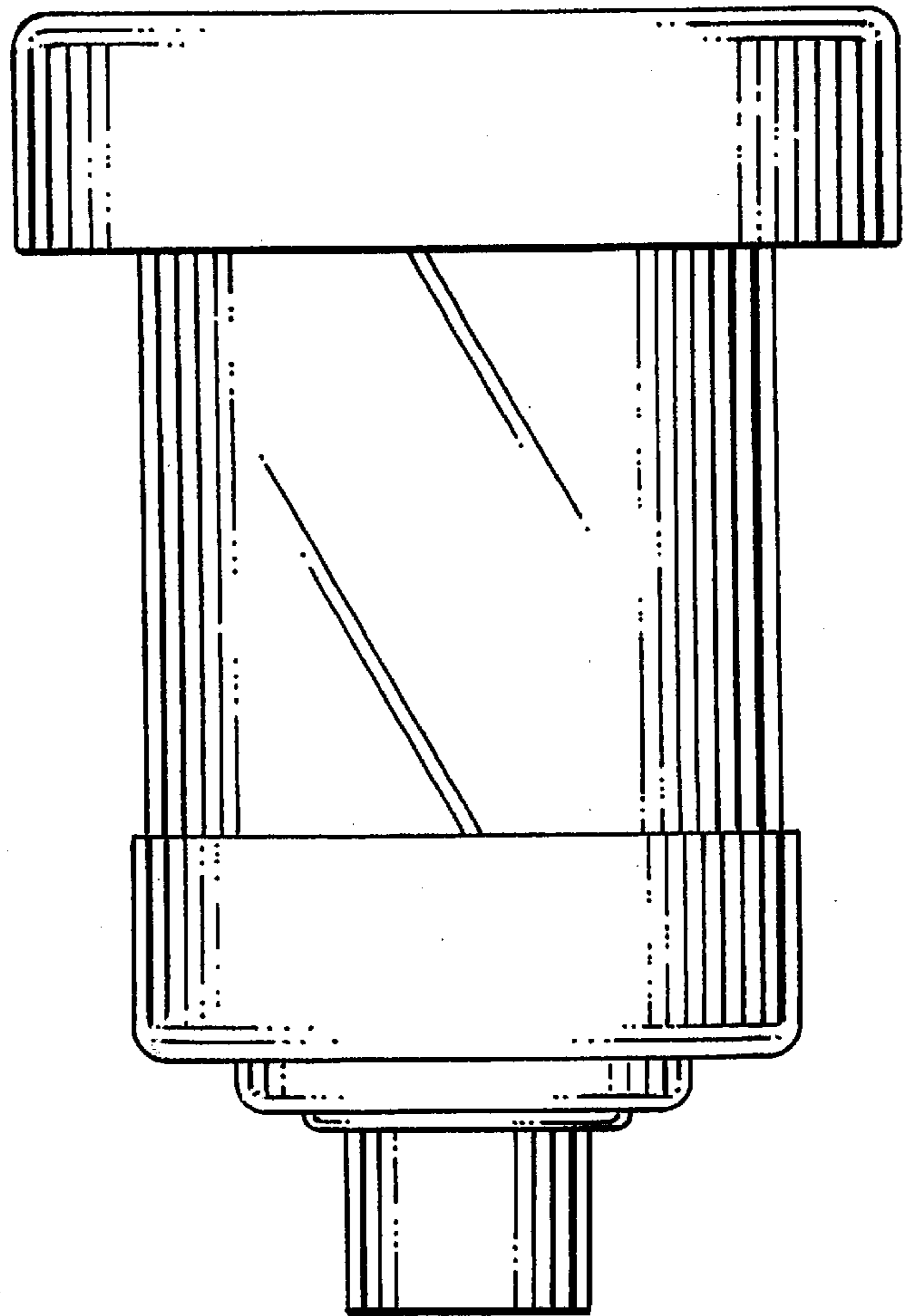


FIG. 3

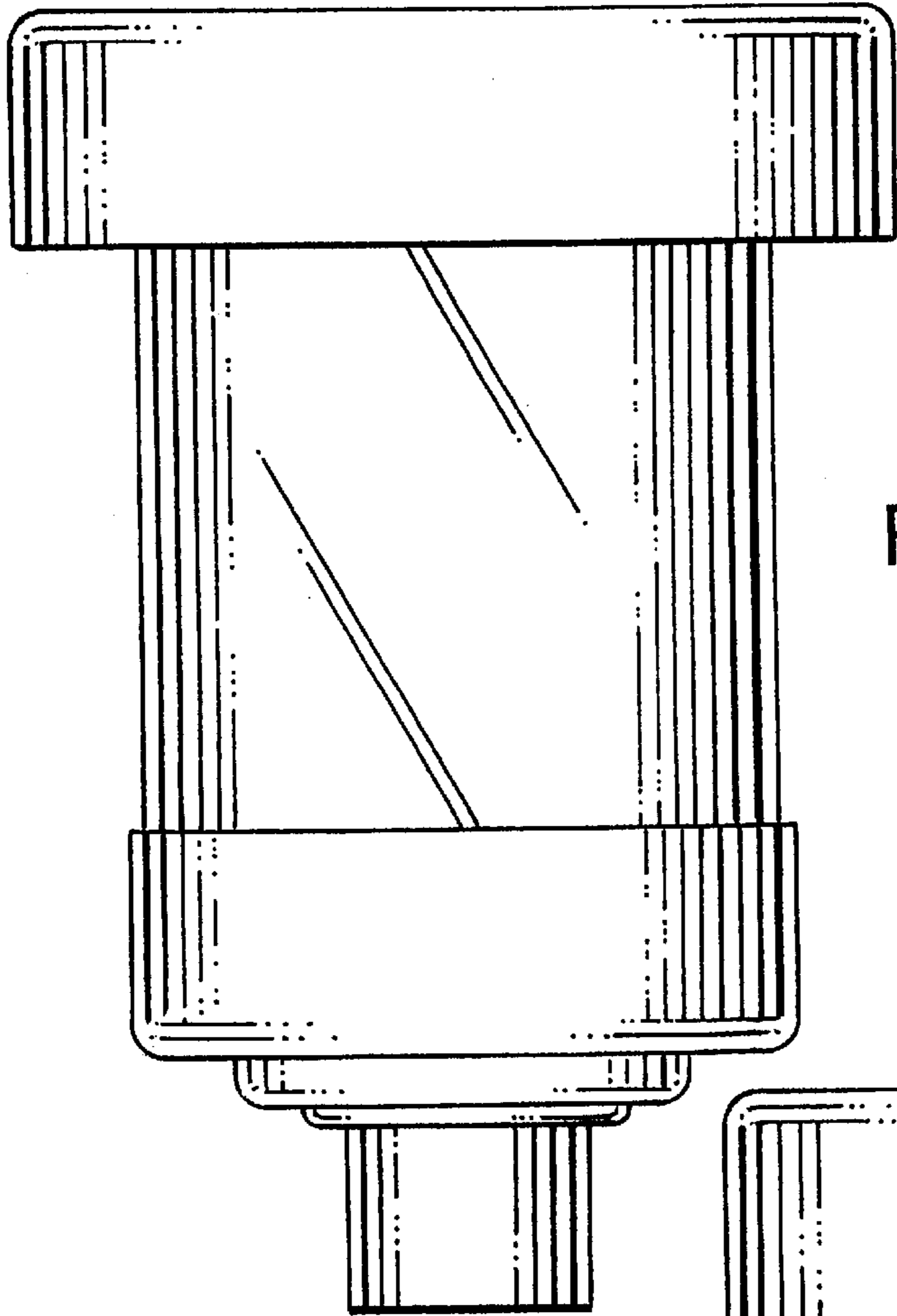


FIG. 4

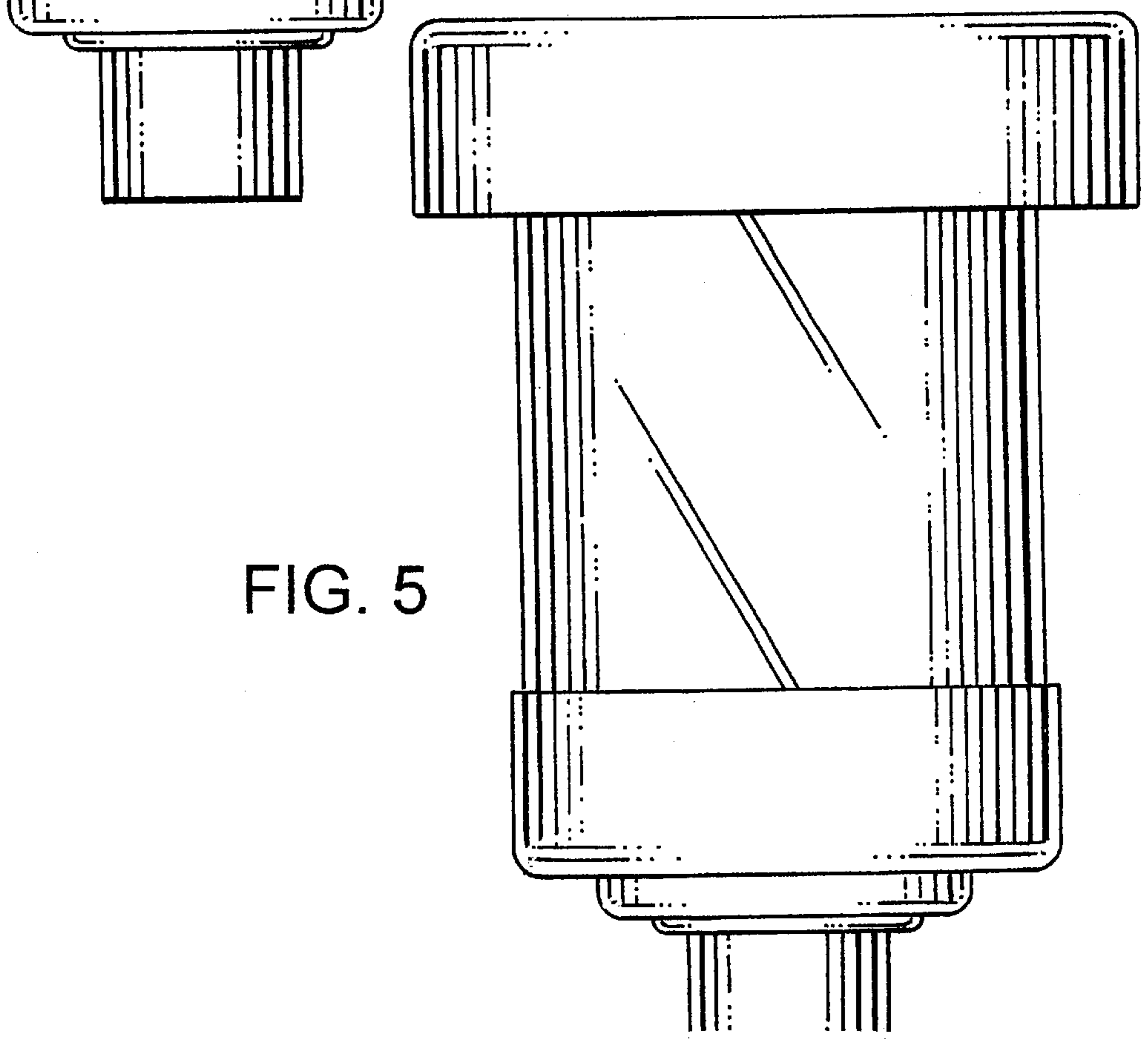


FIG. 5

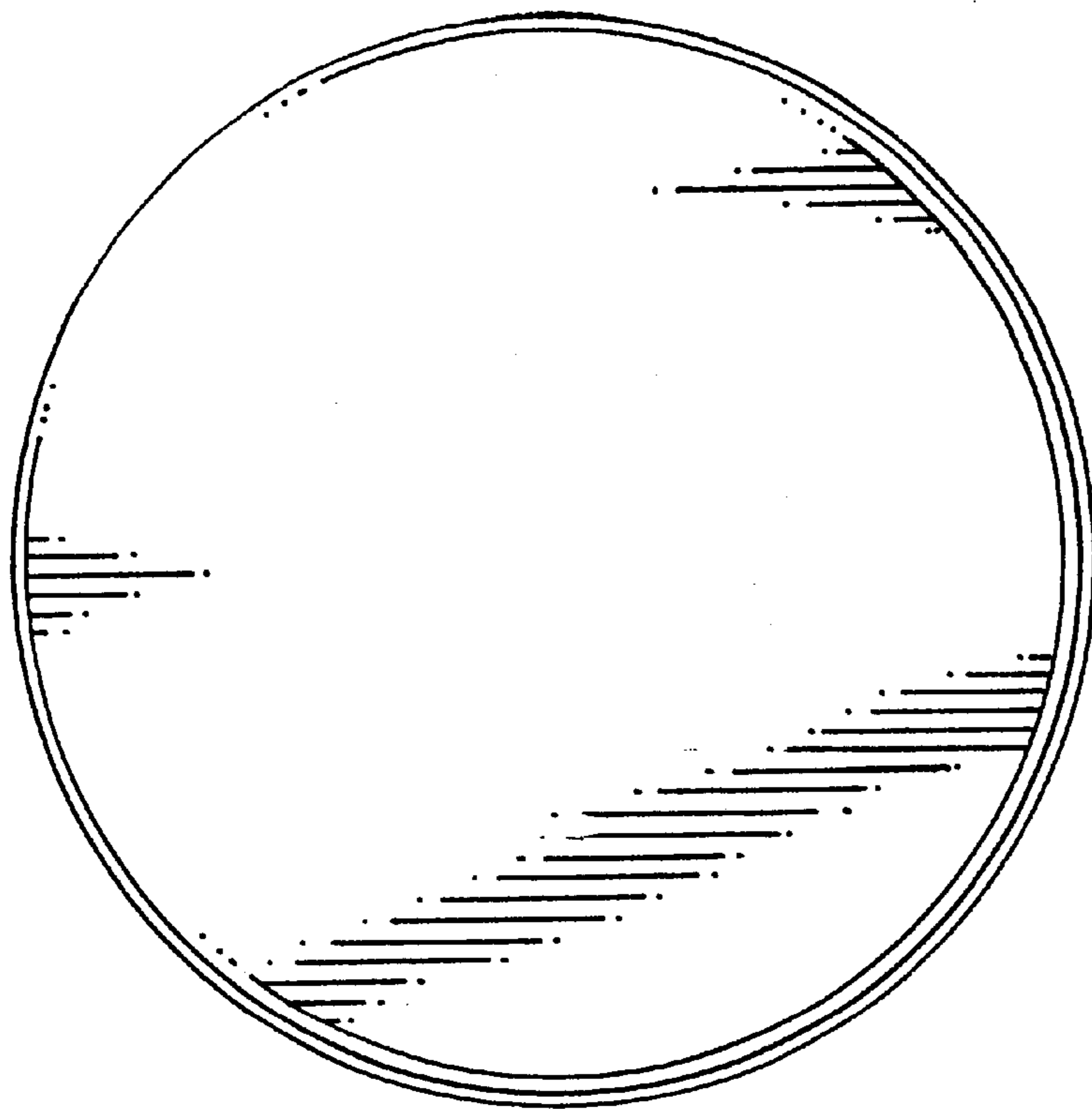


FIG. 6

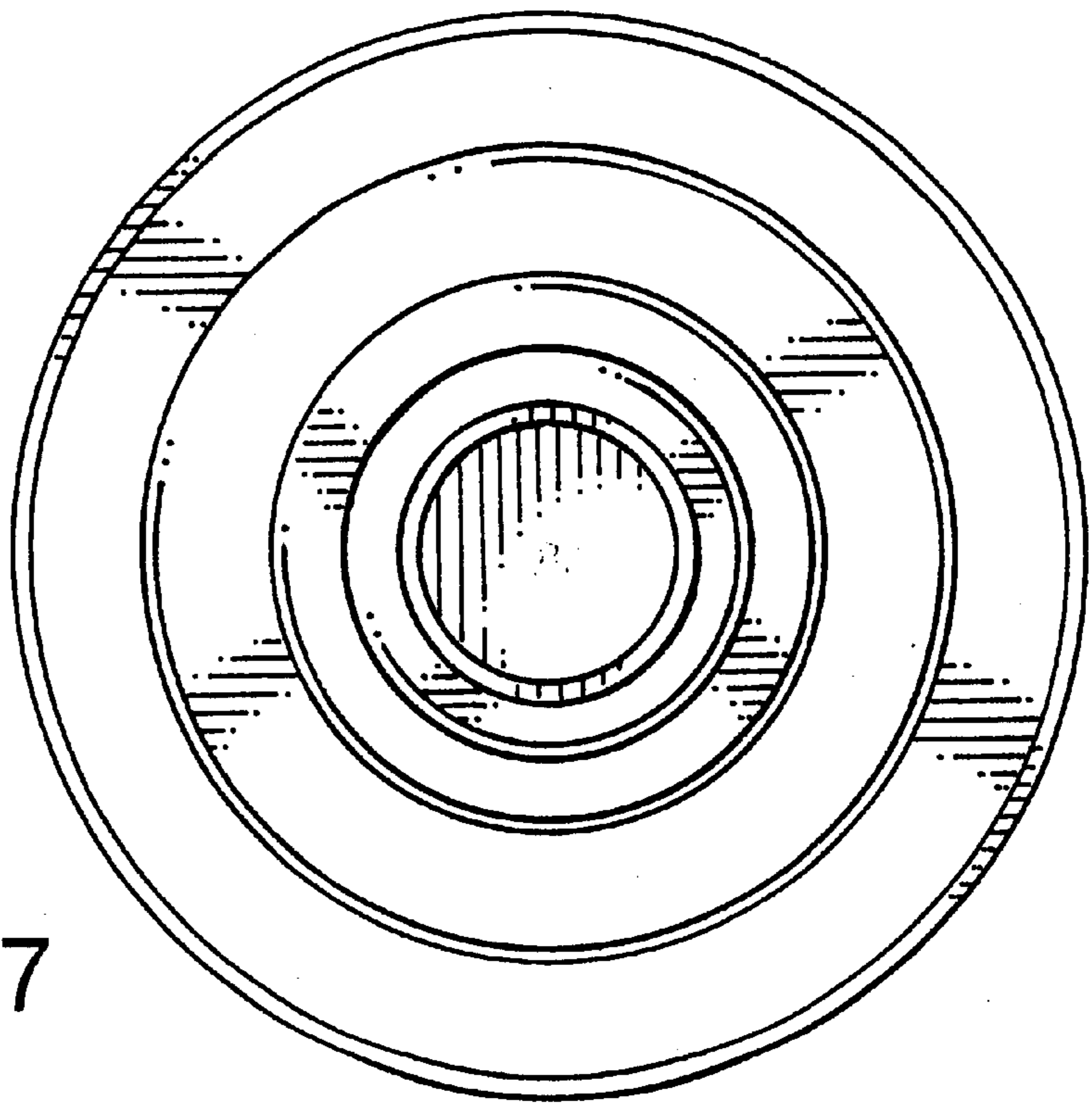


FIG. 7