



US00D468468S

(12) **United States Design Patent**
Wallach et al.

(10) **Patent No.:** **US D468,468 S**
(45) **Date of Patent:** **** Jan. 7, 2003**

(54) **READING LIGHT**

(76) Inventors: **Stewart Wallach**, 6094 Via Crystalle,
Delray Beach, FL (US) 33484; **James**
G. McClinton, 3021 Old Orchard Rd.,
Davie, FL (US) 33328

(**) Term: **14 Years**

(21) Appl. No.: **29/155,094**

(22) Filed: **Feb. 1, 2002**

(51) **LOC (7) Cl.** **26-05**

(52) **U.S. Cl.** **D26/60**

(58) **Field of Search** D26/60-66; 362/267,
362/269, 281, 285, 287, 418, 419, 428,
430

(56) **References Cited**

U.S. PATENT DOCUMENTS

4,283,661	A	8/1981	Doty	
5,138,538	A	8/1992	Sperling	
5,163,748	A	11/1992	Messinger	
5,469,346	A	11/1995	Haut	
5,997,165	A	12/1999	Lehrer	
D427,703	S	7/2000	Chan	
D428,177	S	* 7/2000	Chen	D26/60
D436,202	S	* 1/2001	Chen	D26/60
6,249,089	B1	6/2001	Bruwer	
D449,126	S	* 10/2001	Zeller	D26/60

* cited by examiner

Primary Examiner—Marcus A. Jackson
(74) *Attorney, Agent, or Firm*—Kevin P. Crosby, Esq.;
Brinkley, McNerney, Morgan, Solomon & Tatum, LLP

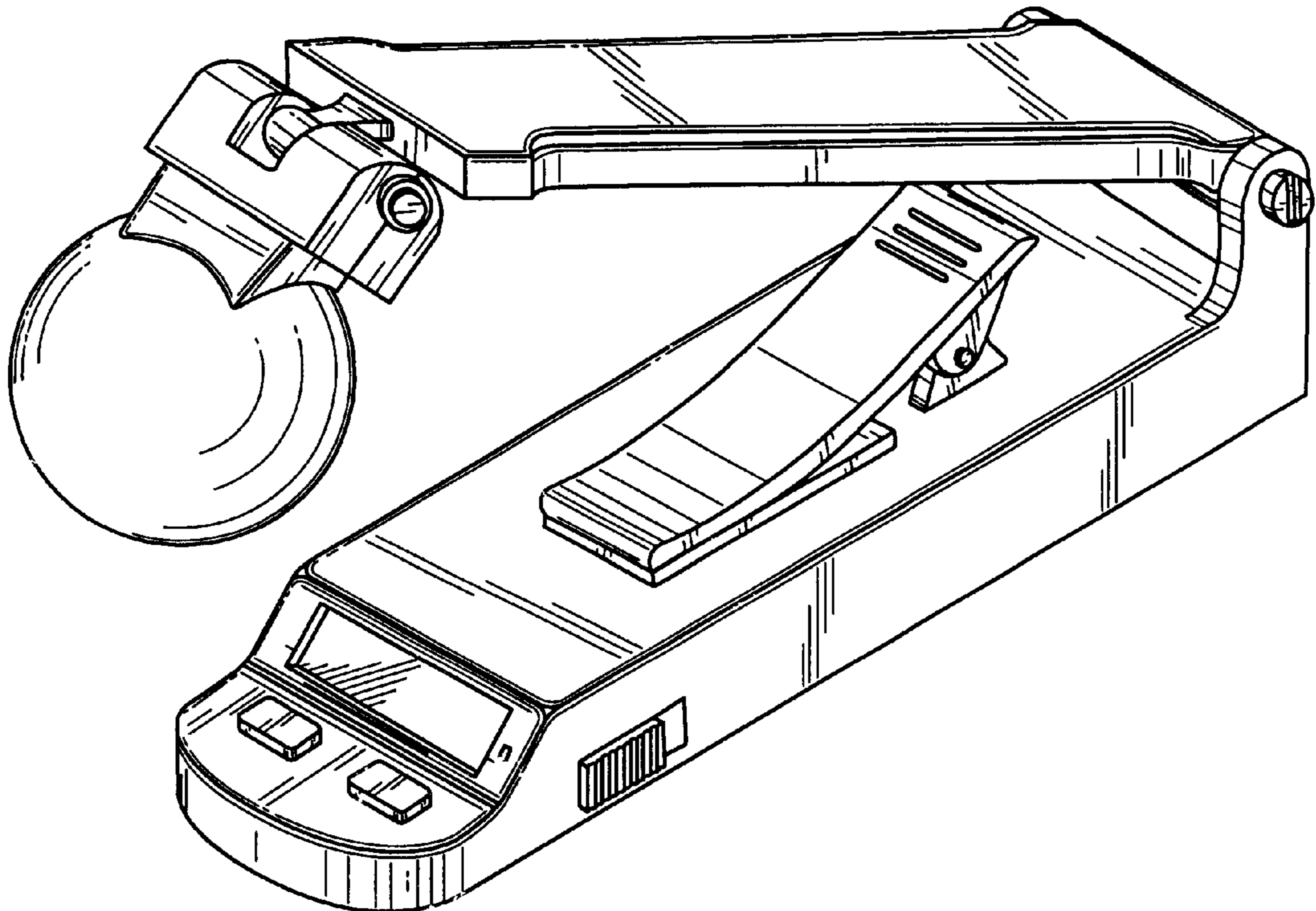
(57) **CLAIM**

The ornamental design for reading light, as shown and described.

DESCRIPTION

FIG. 1 is a top plan view of the reading light, showing the new design;
FIG. 2 is a front elevational view thereof;
FIG. 3 is a bottom plan view thereof;
FIG. 4 is a rear elevational view thereof;
FIG. 5 is a right side elevational view thereof, which is a mirror image of the right side view;
FIG. 6 is a left side elevational view thereof;
FIG. 7 is a perspective view thereof.
FIG. 8 is a perspective view of the invention in a still further alternative position.
FIG. 9 is a front elevational view of the invention in the position shown in FIG. 8.
FIG. 10 is a rear elevational view of the invention in the position shown in FIG. 8; and,
FIG. 11 is a right side elevational view of the invention in a further alternative position.

1 Claim, 4 Drawing Sheets



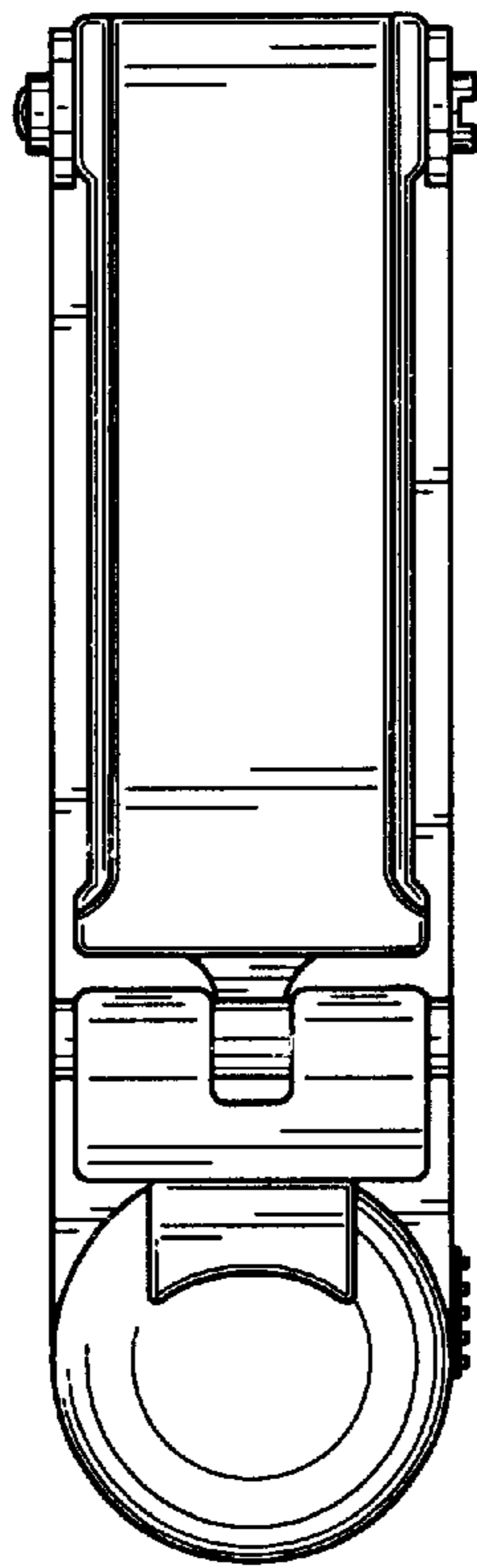


FIG. 1

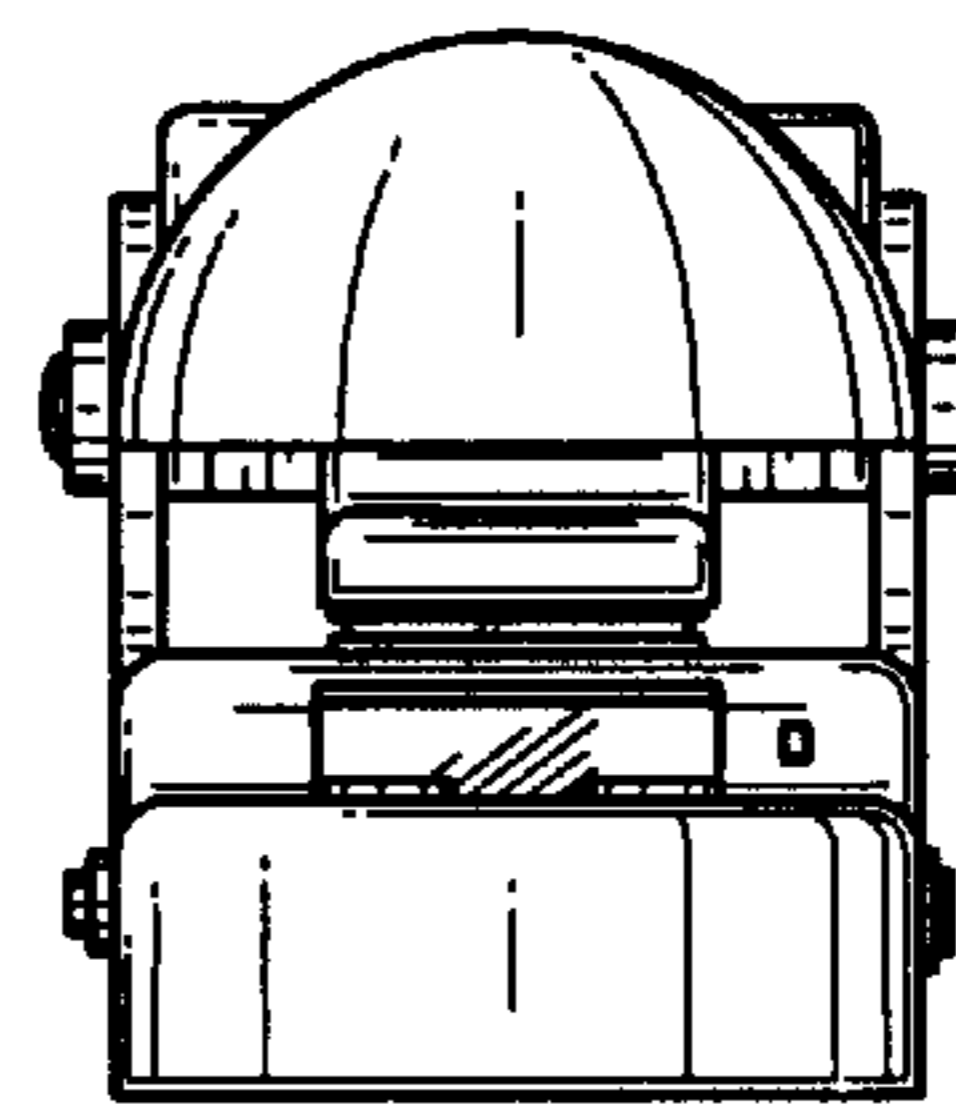


FIG. 2

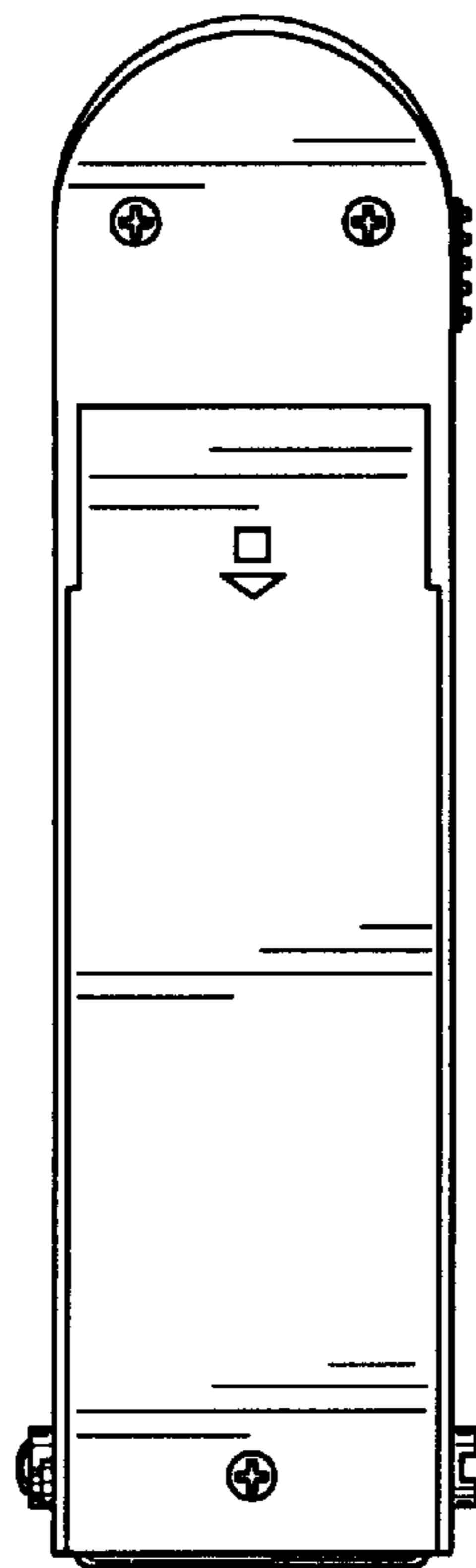


FIG. 3

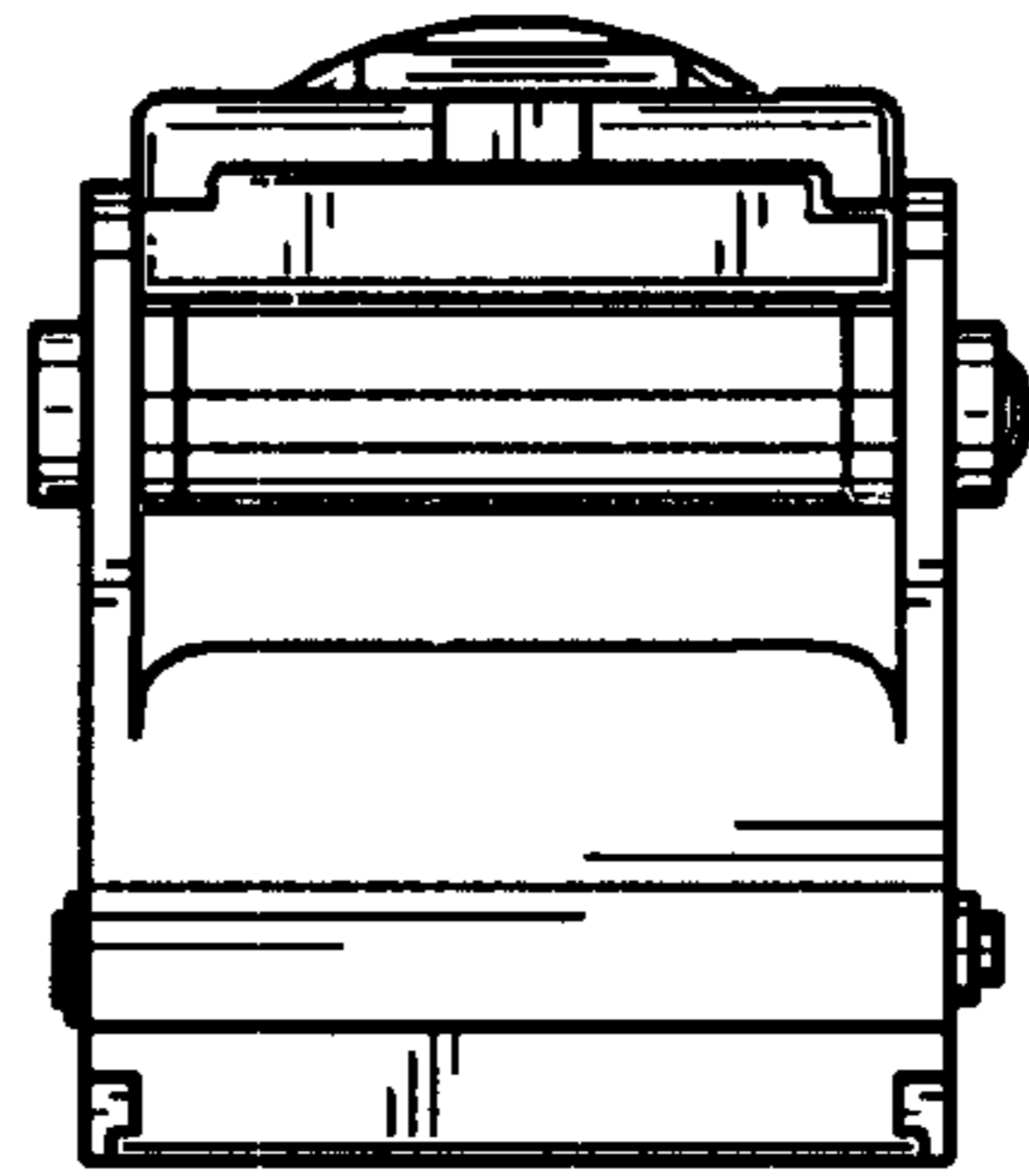


FIG. 4

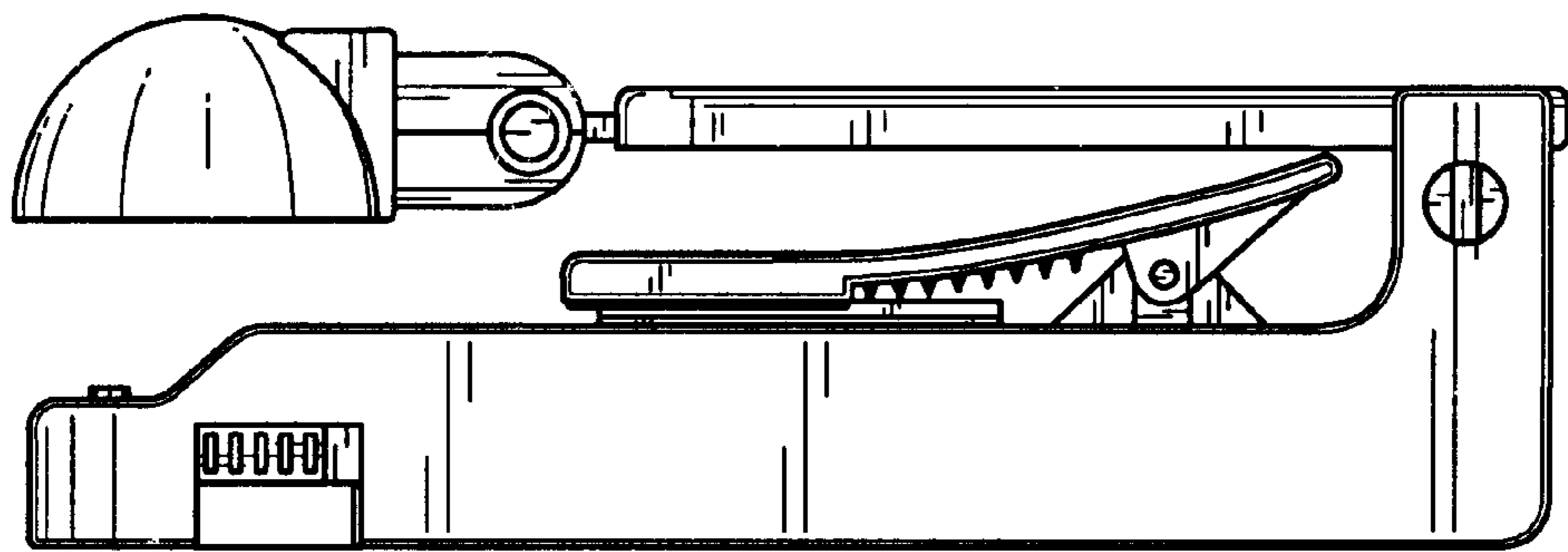


FIG. 5

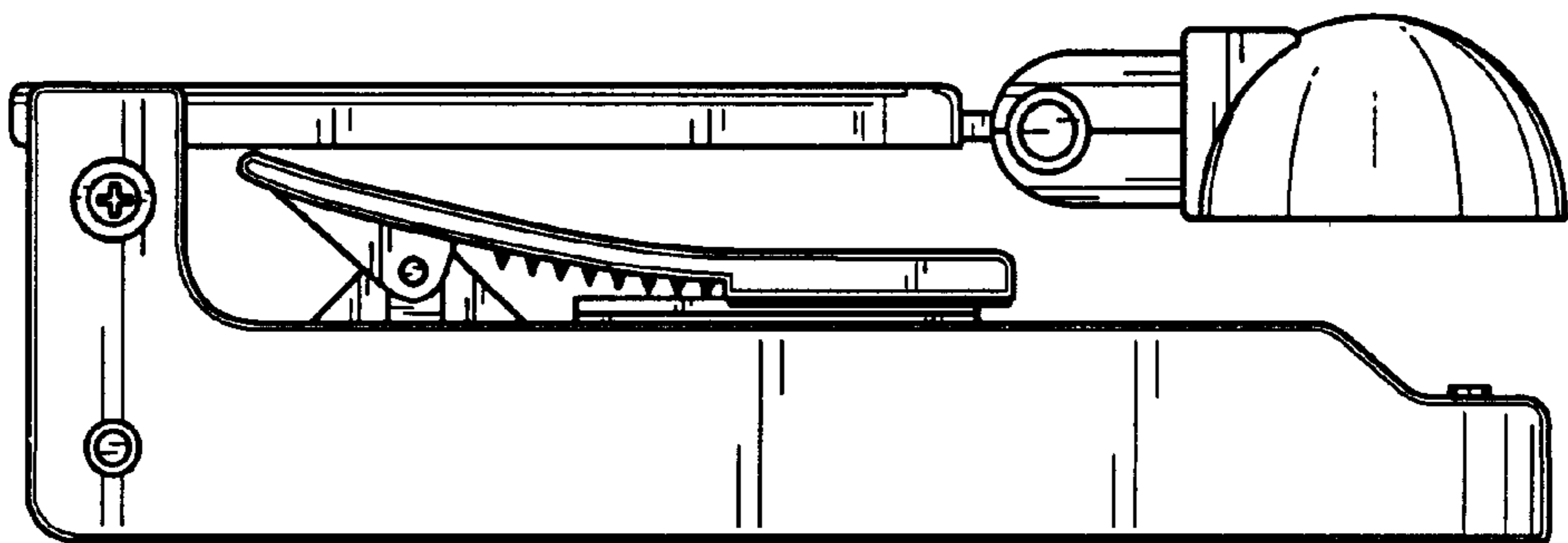


FIG. 6

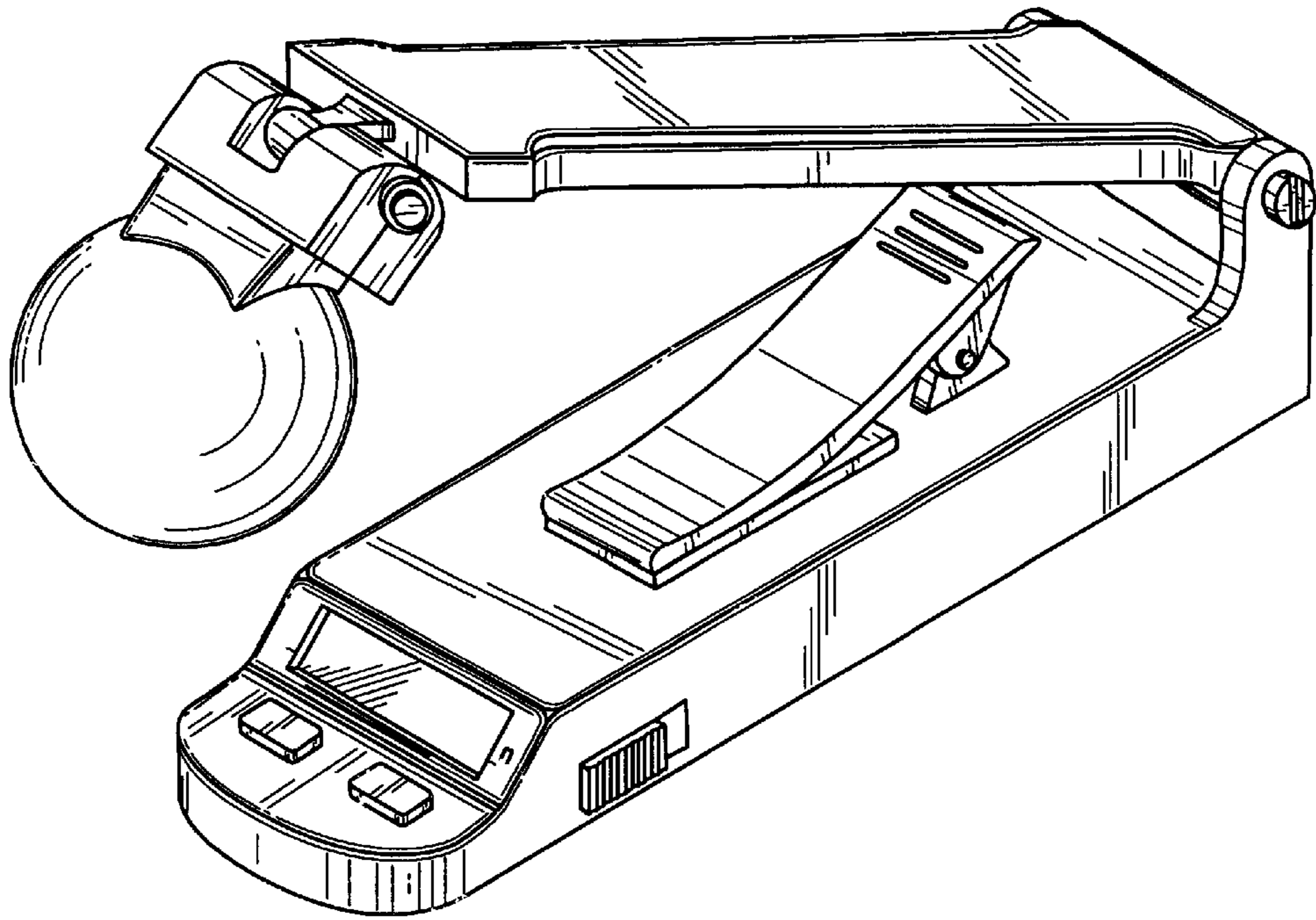


FIG. 7

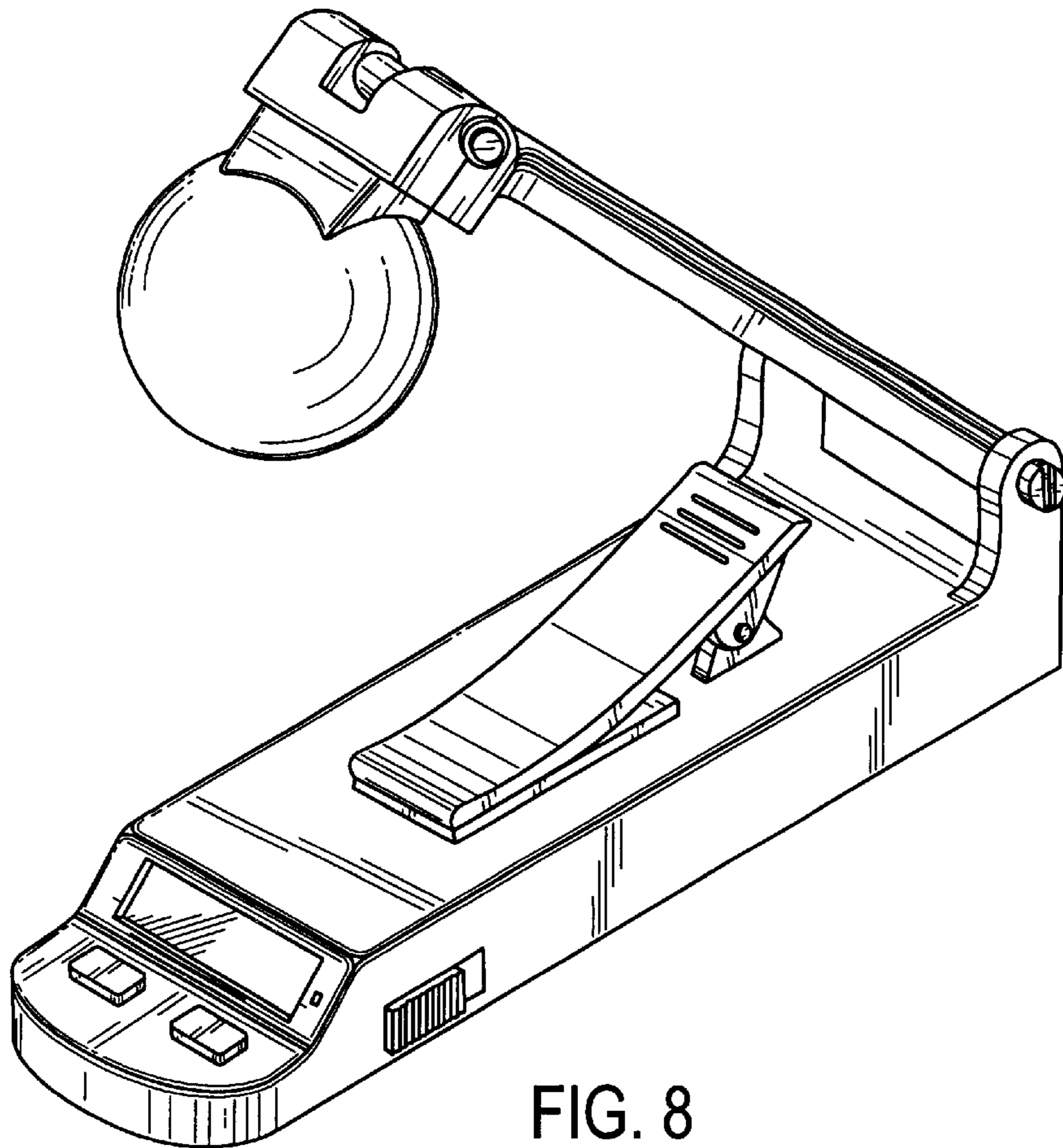


FIG. 8

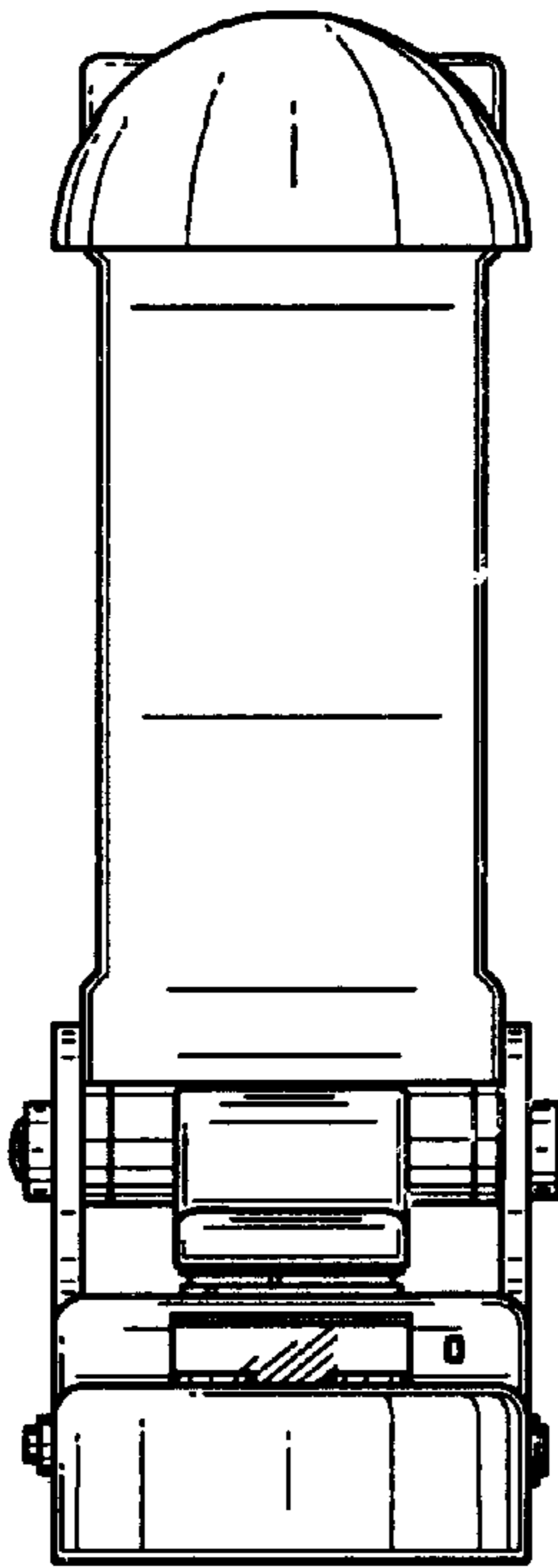


FIG. 9

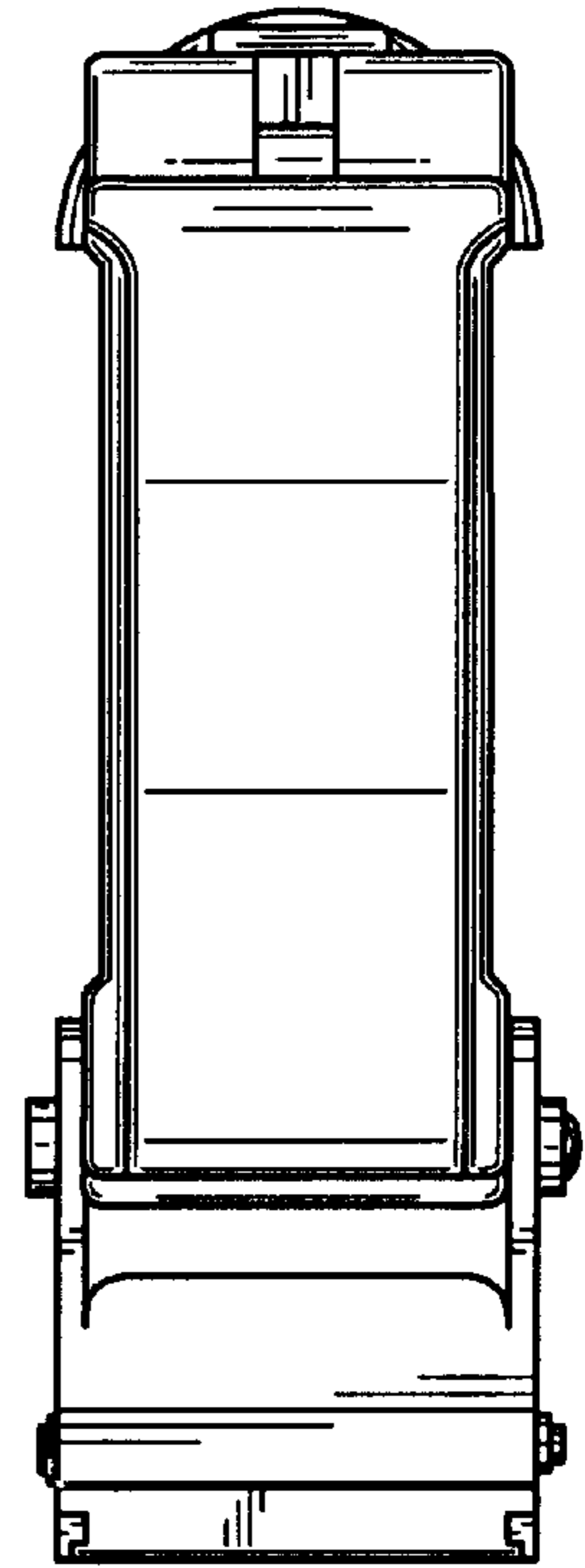


FIG. 10

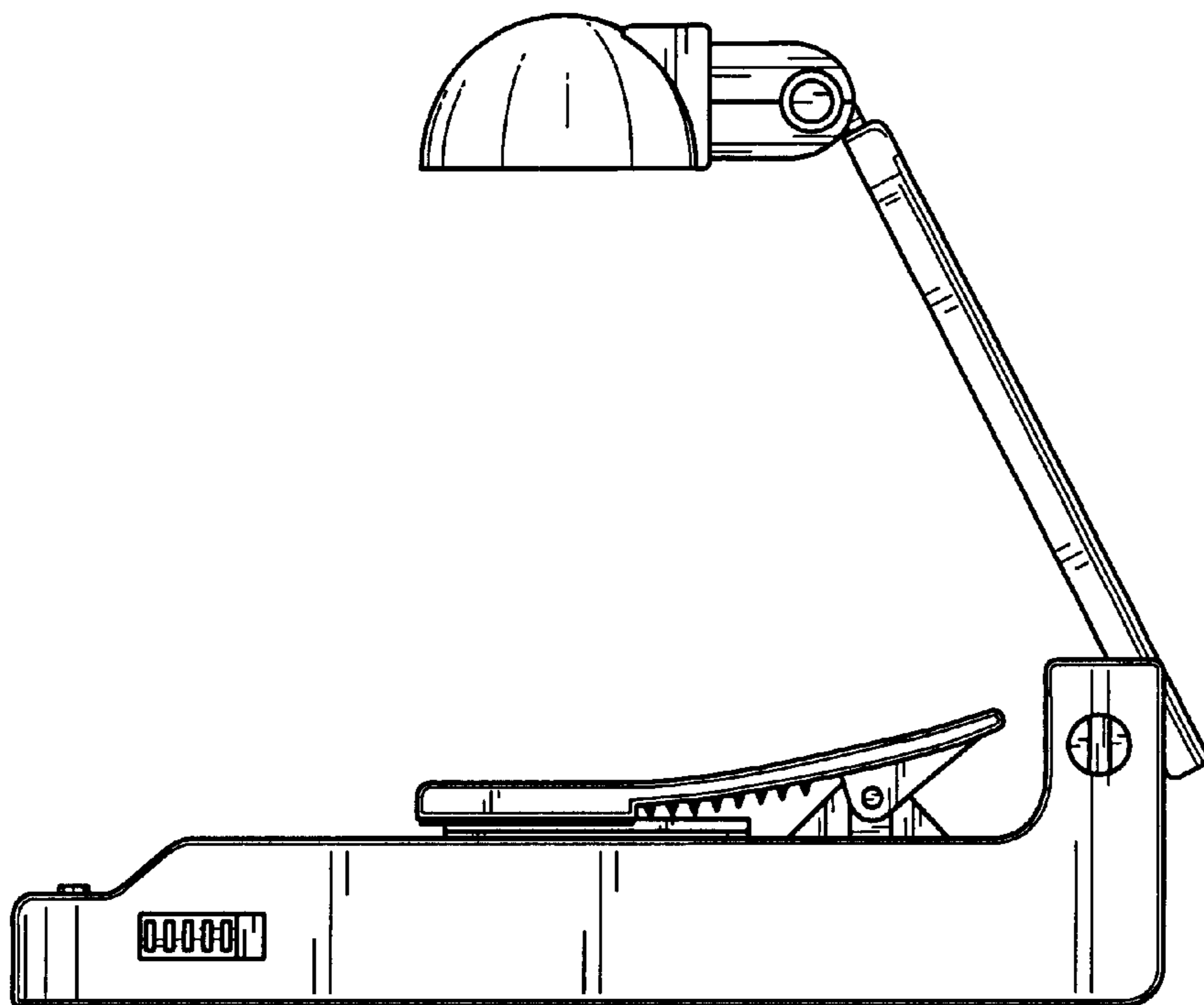


FIG. 11