



US00D468467S

(12) **United States Design Patent**  
**Yuen**

(10) **Patent No.:** **US D468,467 S**

(45) **Date of Patent:** **\*\* Jan. 7, 2003**

(54) **SUPER RECHARGEABLE HALOGEN LIGHT**

(76) **Inventor:** **Se Kit Yuen**, 6/F Yau Lee Centre, 45 Hoi Yuen Road, Kwun Tong, Kowloon (HK)

(\*\*) **Term:** **14 Years**

(21) **Appl. No.:** **29/157,110**

(22) **Filed:** **Mar. 14, 2002**

(30) **Foreign Application Priority Data**

Aug. 24, 2001 (GB) ..... 2104330

(51) **LOC (7) Cl.** ..... **26-02**

(52) **U.S. Cl.** ..... **D26/45**

(58) **Field of Search** ..... D26/37-50; 362/157, 362/158, 171, 172, 173, 183-208

(56) **References Cited**

**U.S. PATENT DOCUMENTS**

D431,662 S \* 10/2000 Krieger ..... D26/45

D441,474 S \* 5/2001 Poon ..... D26/45

\* cited by examiner

*Primary Examiner*—Marcus A. Jackson

(74) *Attorney, Agent, or Firm*—Raymond Y. Chan; David and Raymond Patent Group

(57) **CLAIM**

The ornamental design for a super rechargeable halogen light, as shown and described.

**DESCRIPTION**

FIG. 1 is a front view thereof.

FIG. 2 is a rear view thereof.

FIG. 3 is a right end view thereof.

FIG. 4 is a left end view thereof.

FIG. 5 is a top view thereof.

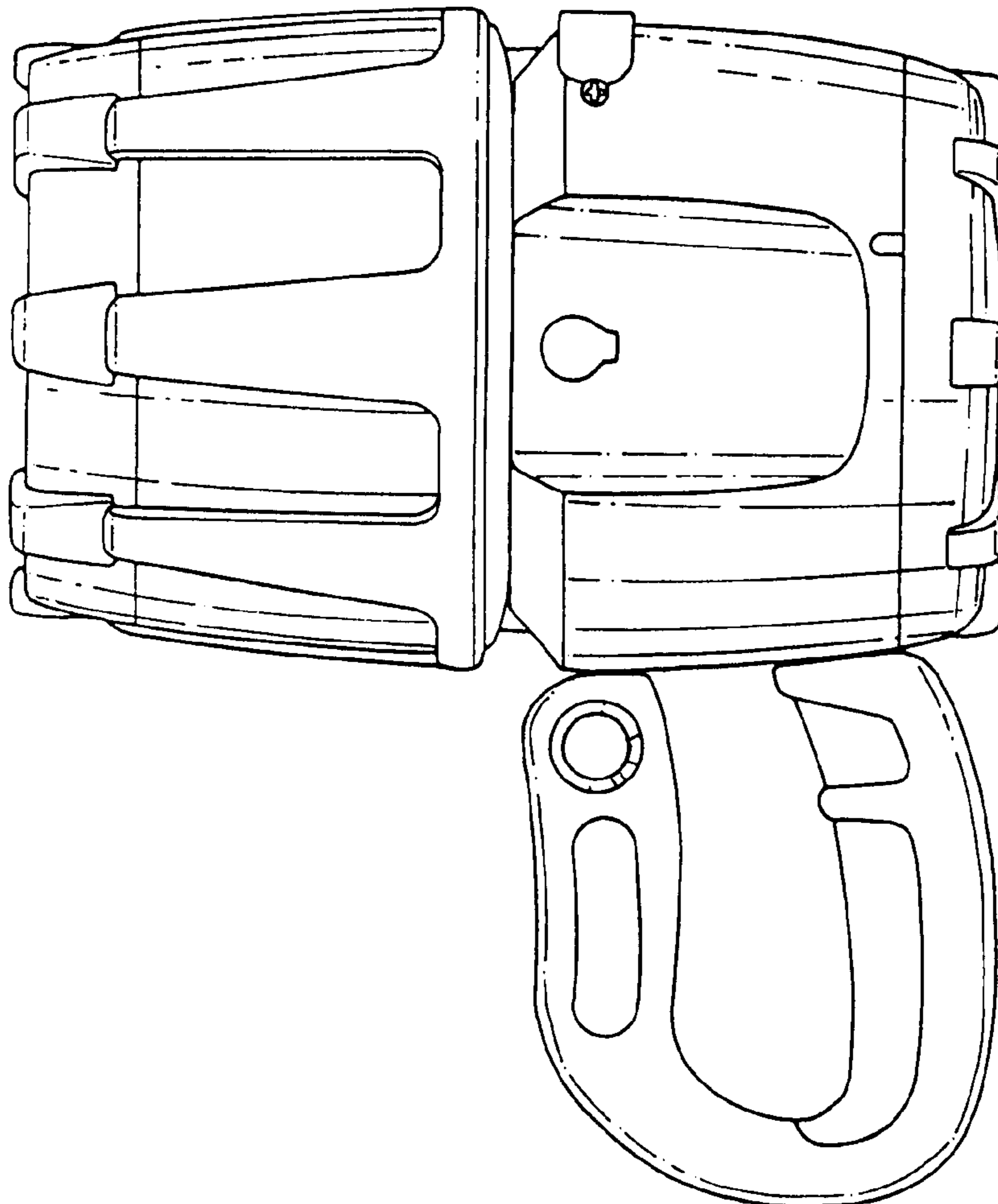
FIG. 6 is a bottom view thereof.

FIG. 7 is a front view with handle shown in an alternative position.

FIG. 8 is a side view with handle shown in an alternative position; and,

FIG. 9 is a rear view with handle shown in an alternative position.

**1 Claim, 9 Drawing Sheets**



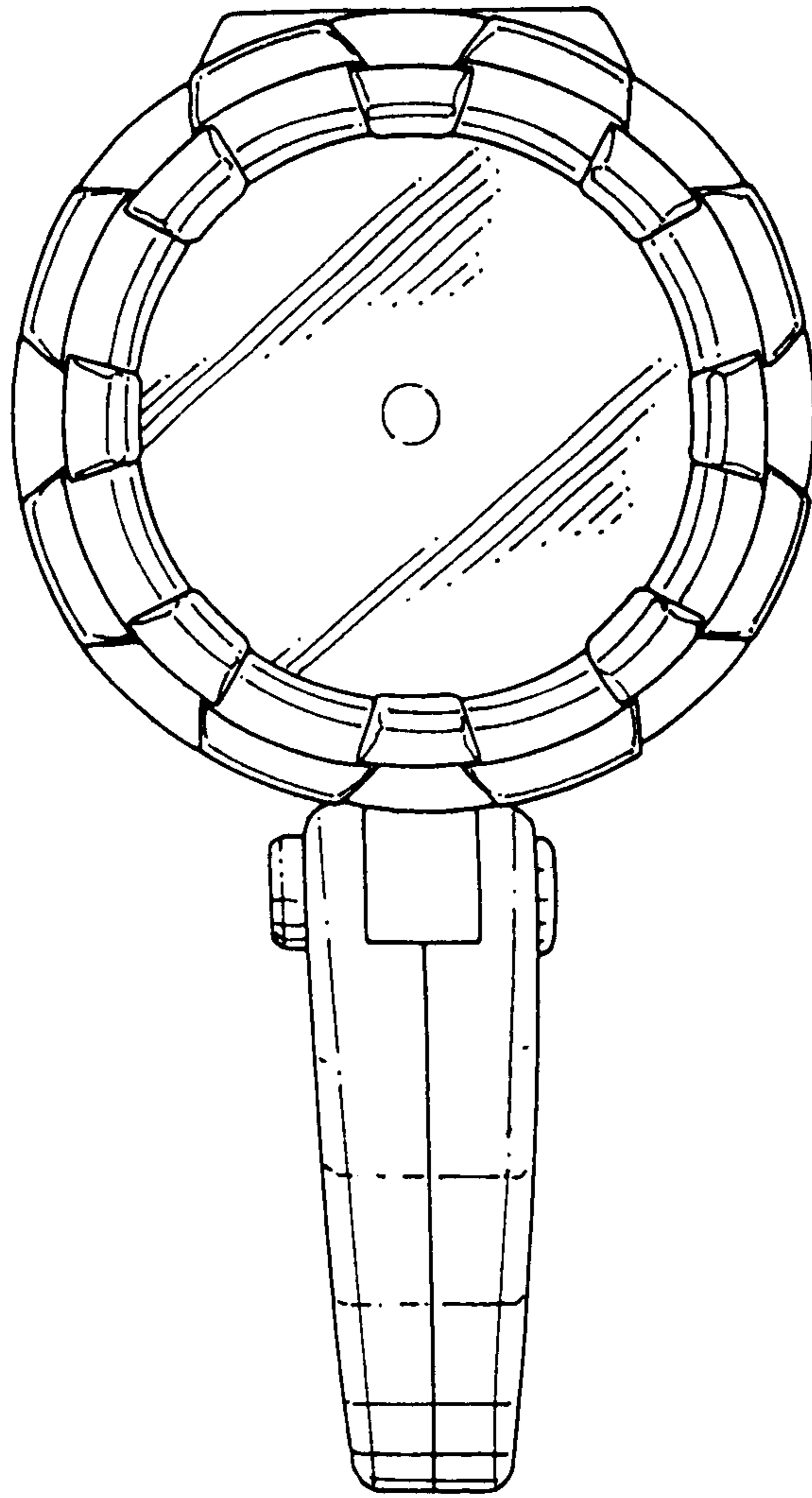


FIG. 1

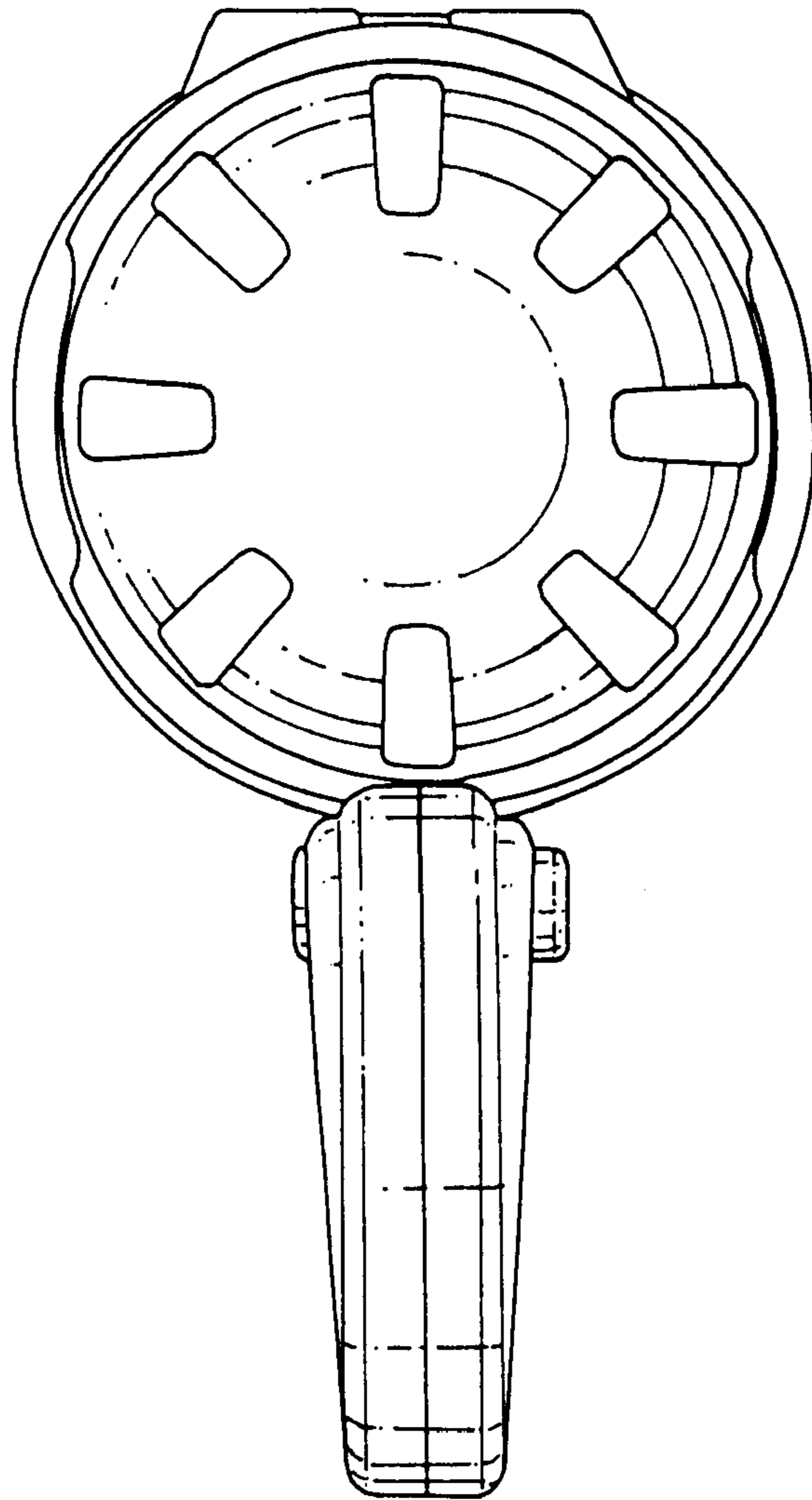


FIG. 2

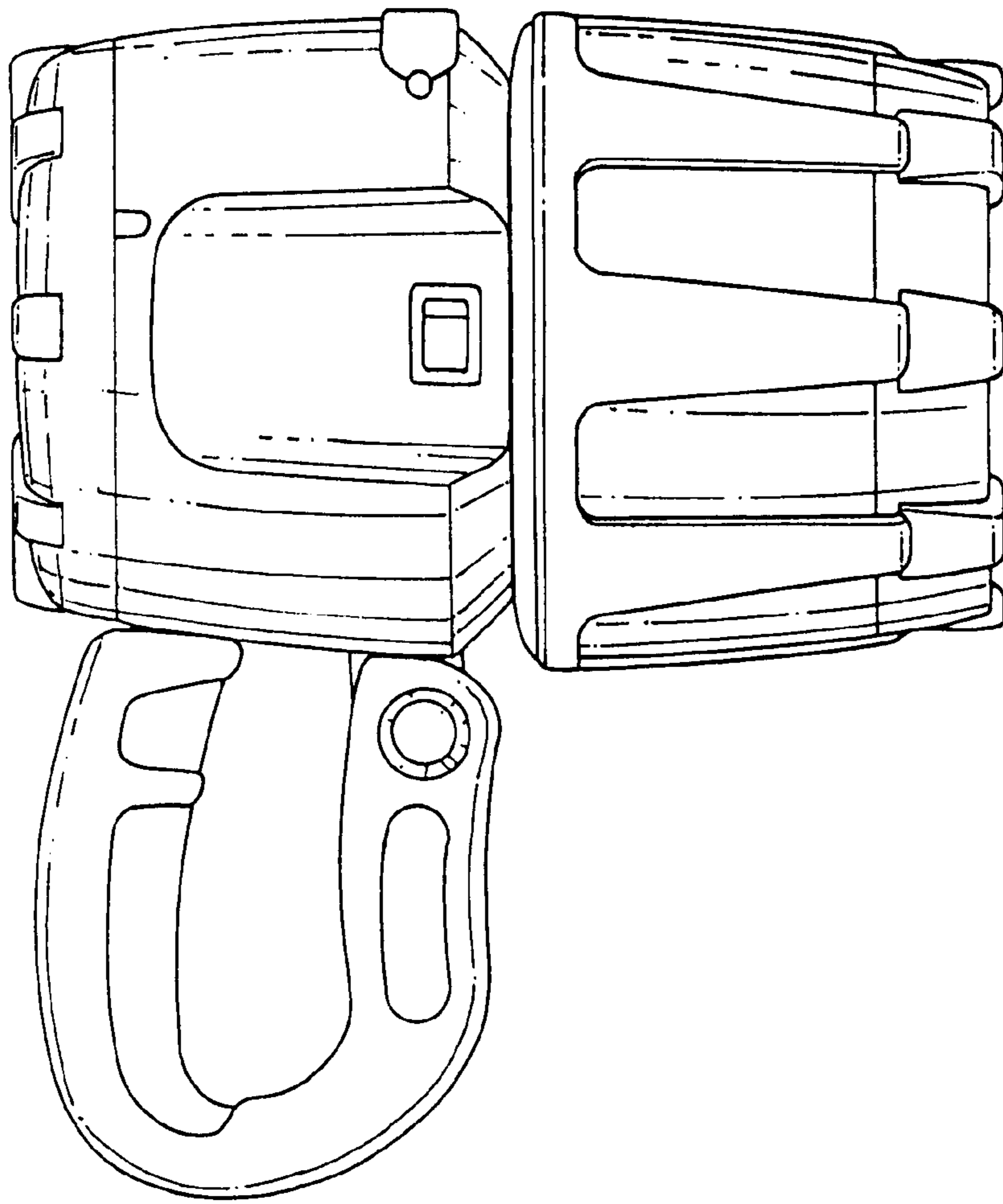


FIG. 3

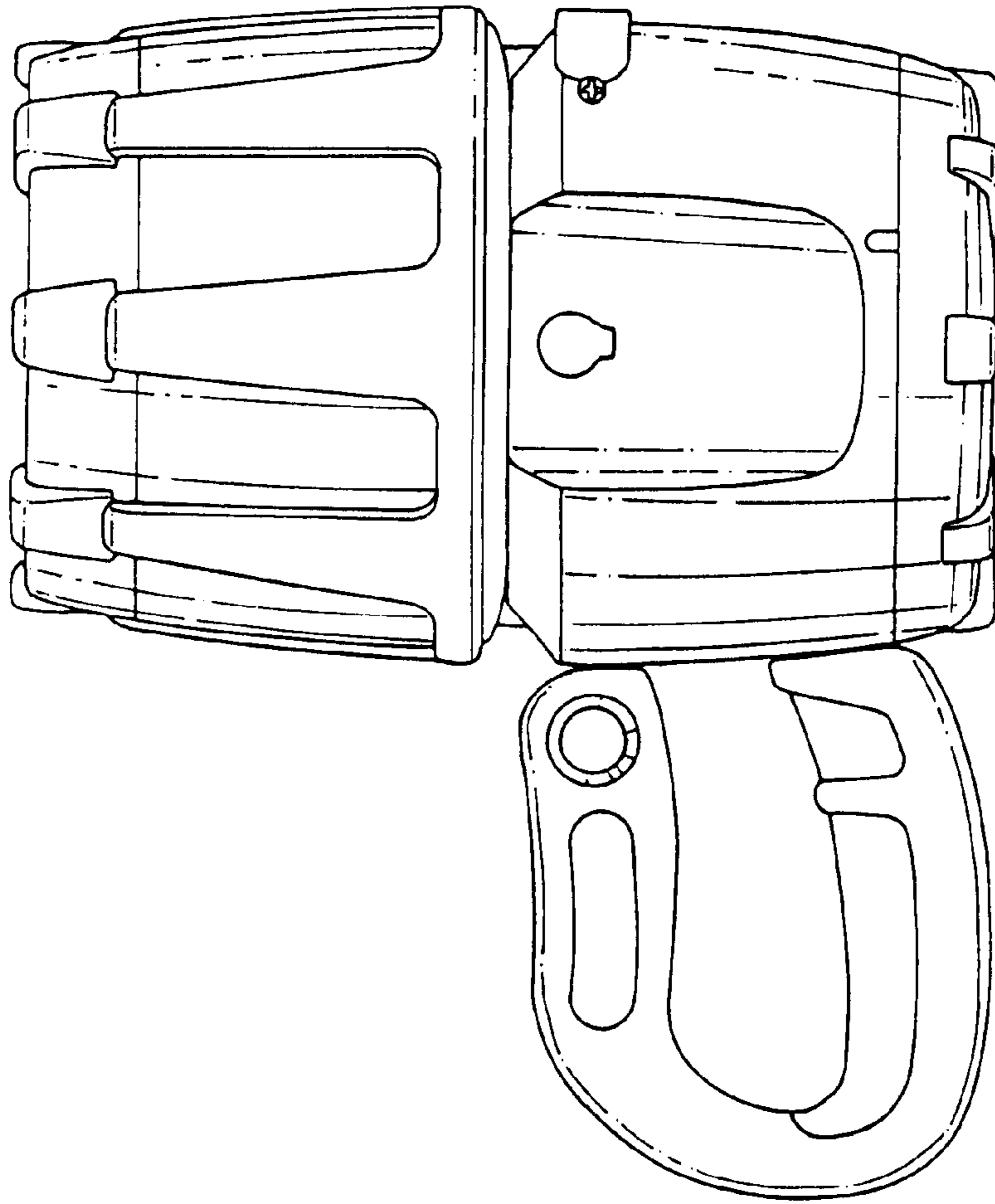


FIG. 4

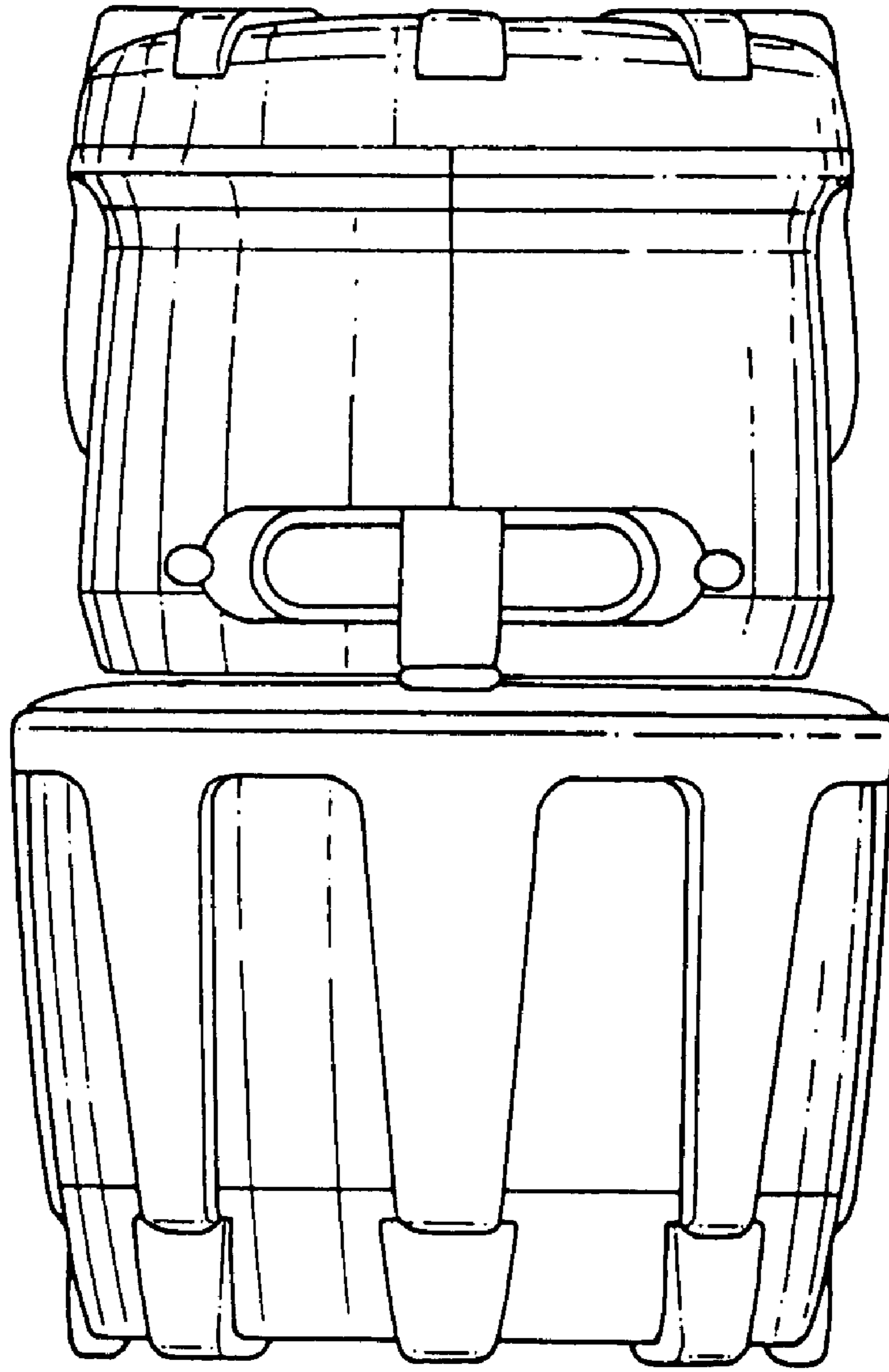


FIG. 5

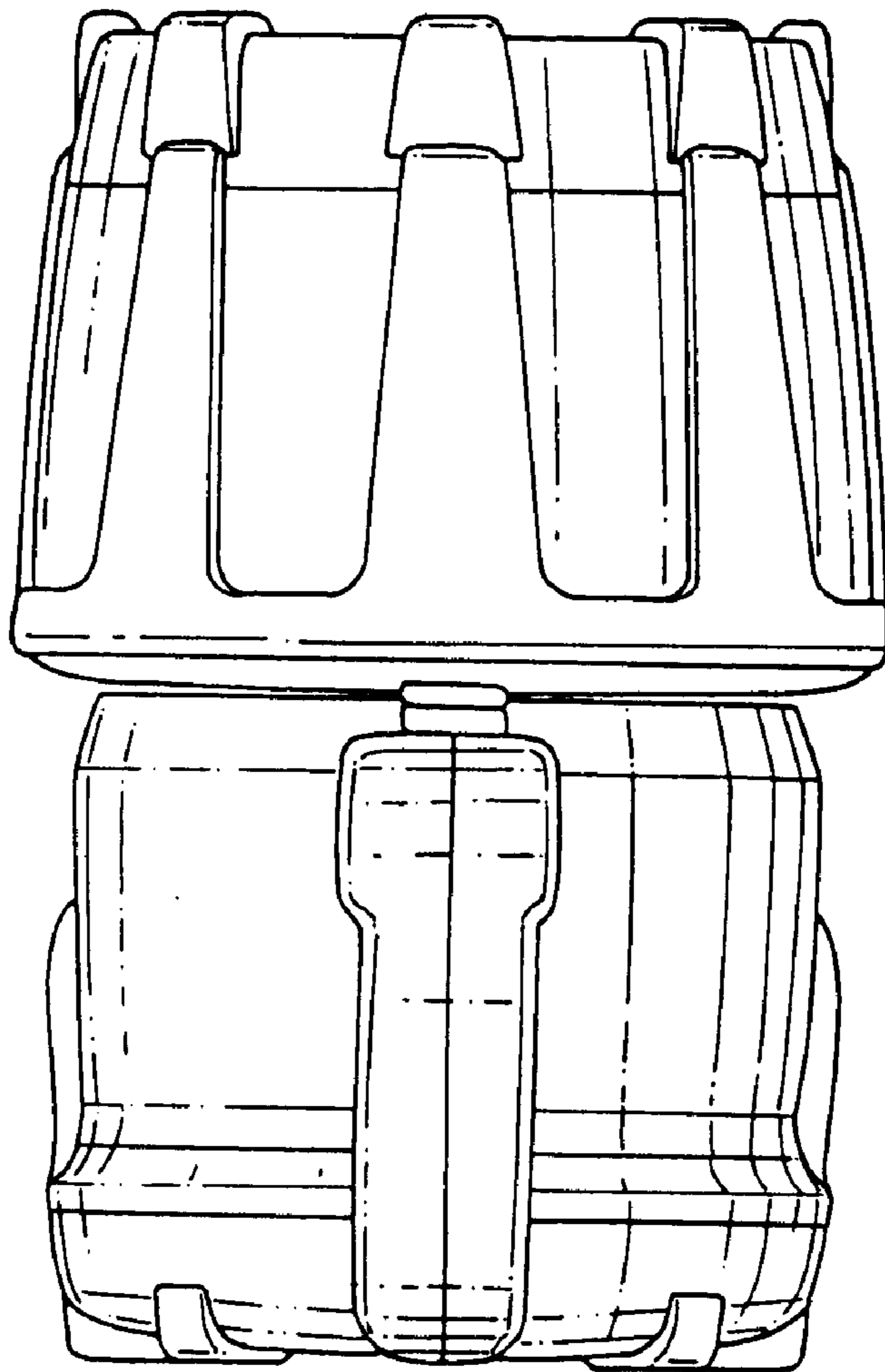


FIG . 6

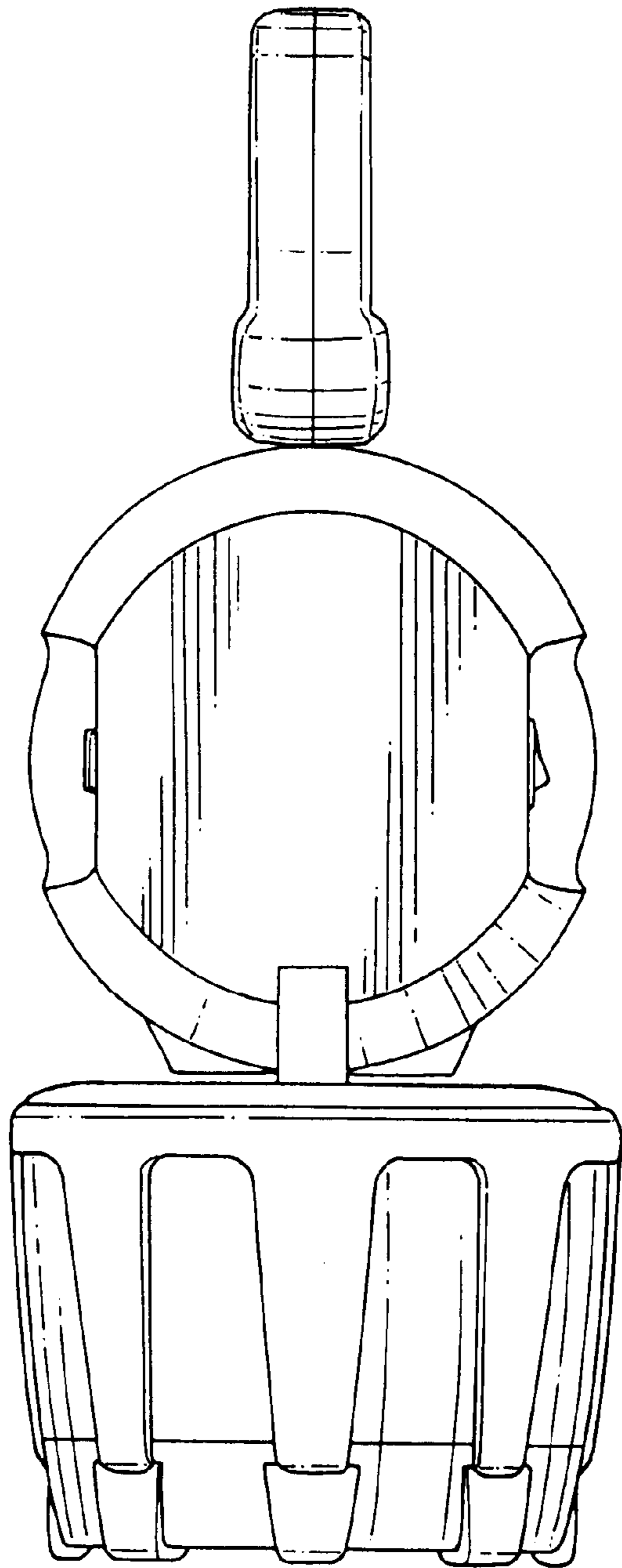


FIG. 7



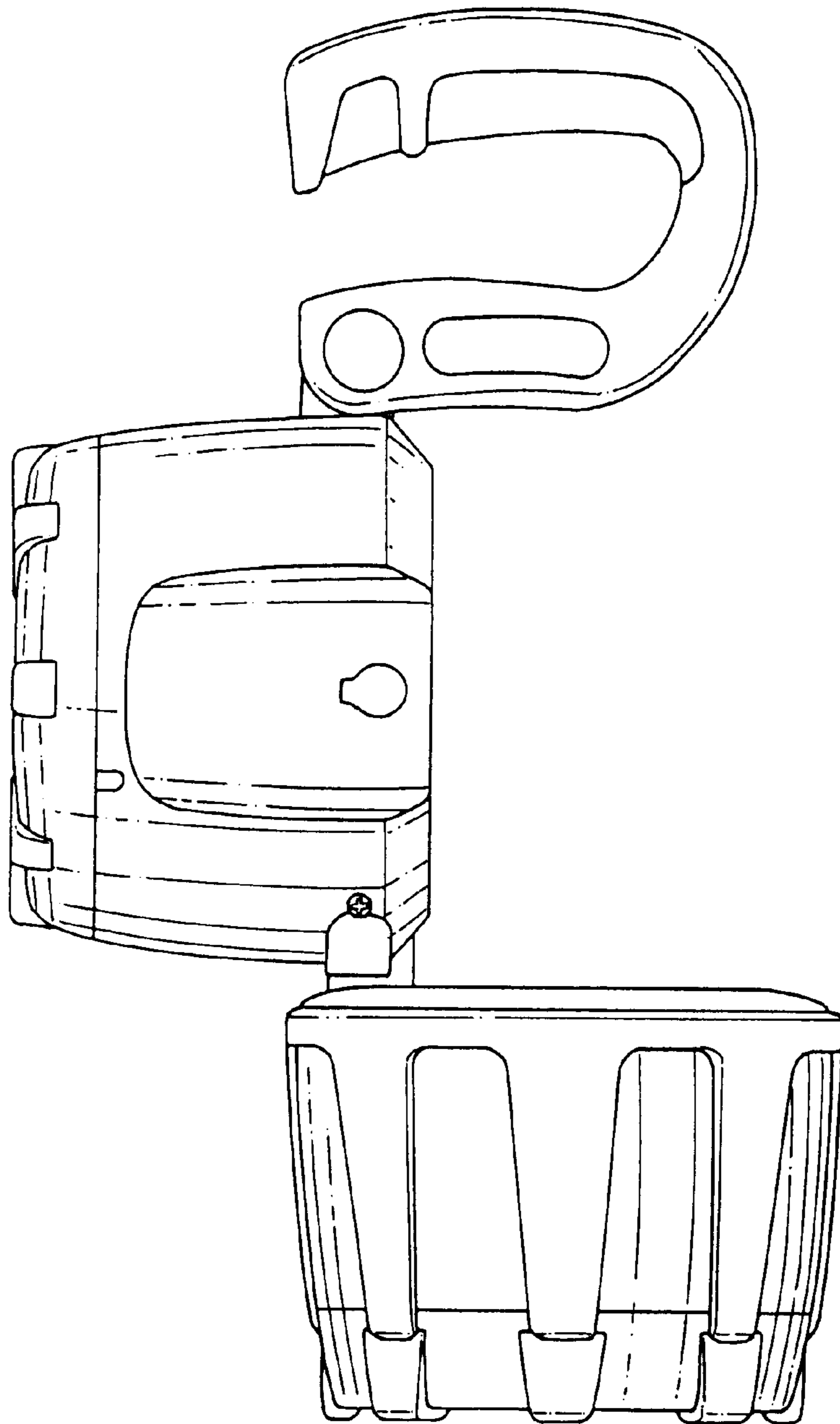


FIG. 8

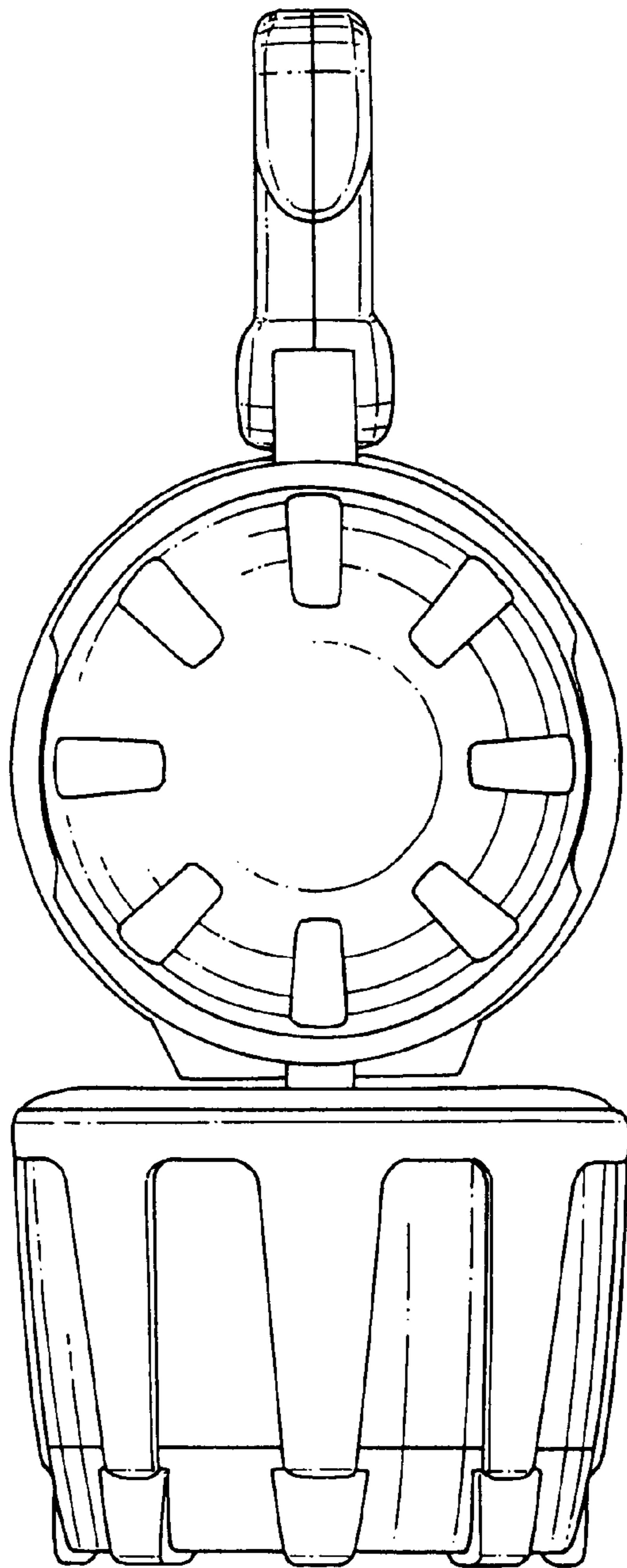


FIG. 9