



US00D468464S

(12) **United States Design Patent**
Galli

(10) **Patent No.:** **US D468,464 S**

(45) **Date of Patent:** **** Jan. 7, 2003**

(54) **FLASHLIGHT**

(76) **Inventor:** **Robert D. Galli**, 8176 Horseshoe Bend
La., Las Vegas, NV (US) 89113

(**) **Term:** **14 Years**

(21) **Appl. No.:** **29/159,874**

(22) **Filed:** **Apr. 30, 2002**

(51) **LOC (7) Cl.** **26-02**

(52) **U.S. Cl.** **D26/37**

(58) **Field of Search** D26/37-50; 362/157,
362/158, 171, 172, 173, 183-208

(56) **References Cited**

U.S. PATENT DOCUMENTS

D351,672 S	10/1994	Tsay	D26/37
D380,060 S	6/1997	Chiang	D26/37
D392,402 S	3/1998	Chen	D26/37
D421,657 S	* 3/2000	Siebert	D26/37
D428,504 S	* 7/2000	Saunders	D26/49
D434,164 S	* 11/2000	Galli	D26/49
D455,510 S	* 4/2002	Galli	D26/37

* cited by examiner

Primary Examiner—Marcus A. Jackson
(74) *Attorney, Agent, or Firm*—Barlow, Josephs & Holmes,
Ltd.

(57) **CLAIM**

The ornamental design for a flashlight, as shown and described.

DESCRIPTION

FIG. 1 is a perspective view showing my new design for a flashlight;

FIG. 2 is a top view thereof;

FIG. 3 is a front view thereof;

FIG. 4 is a left side view thereof;

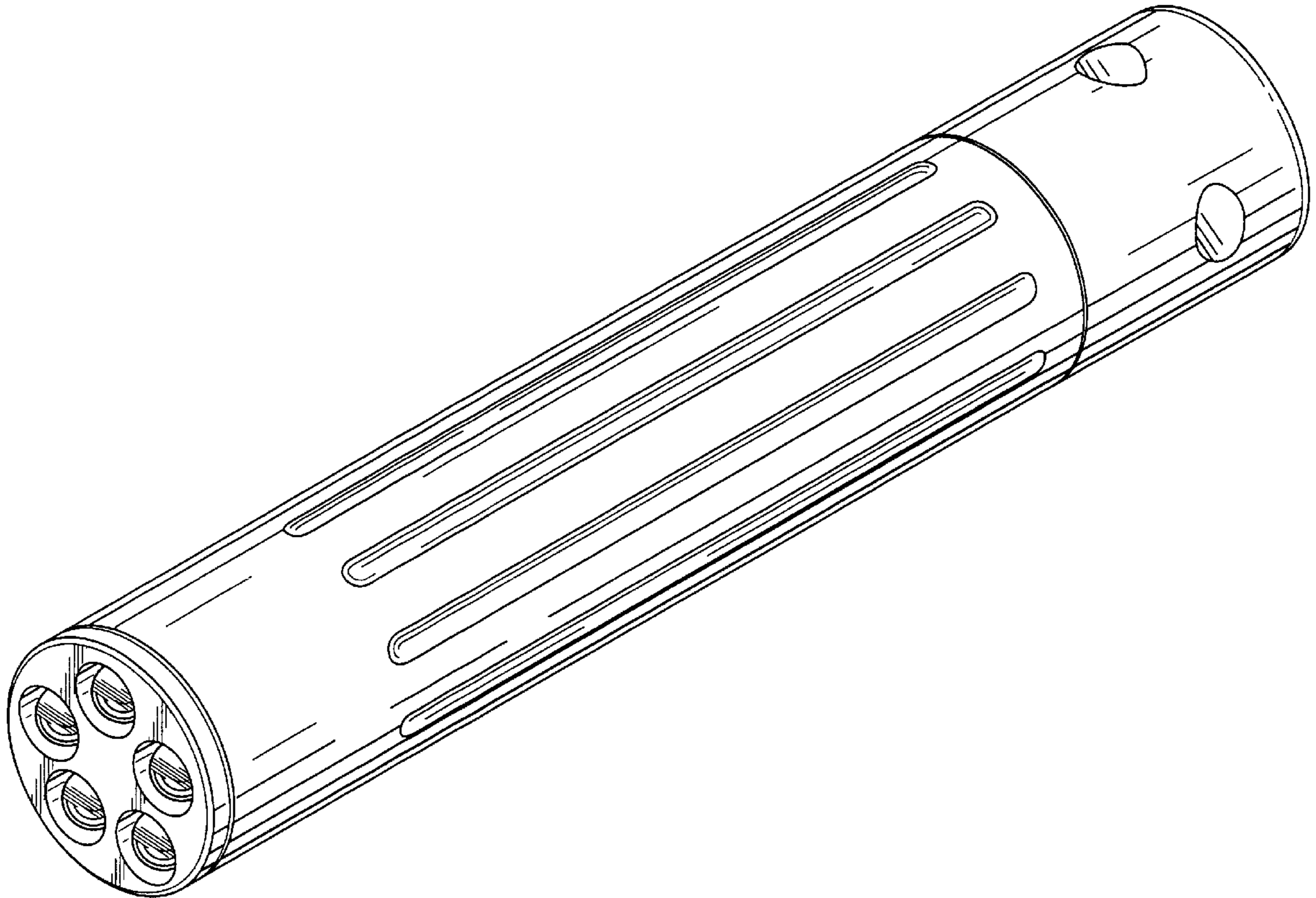
FIG. 5 is a bottom view thereof;

FIG. 6 is a right side view thereof;

FIG. 7 is a back view thereof; and,

FIG. 8 is a perspective view of an alternate embodiment of my new design for a flashlight.

1 Claim, 5 Drawing Sheets



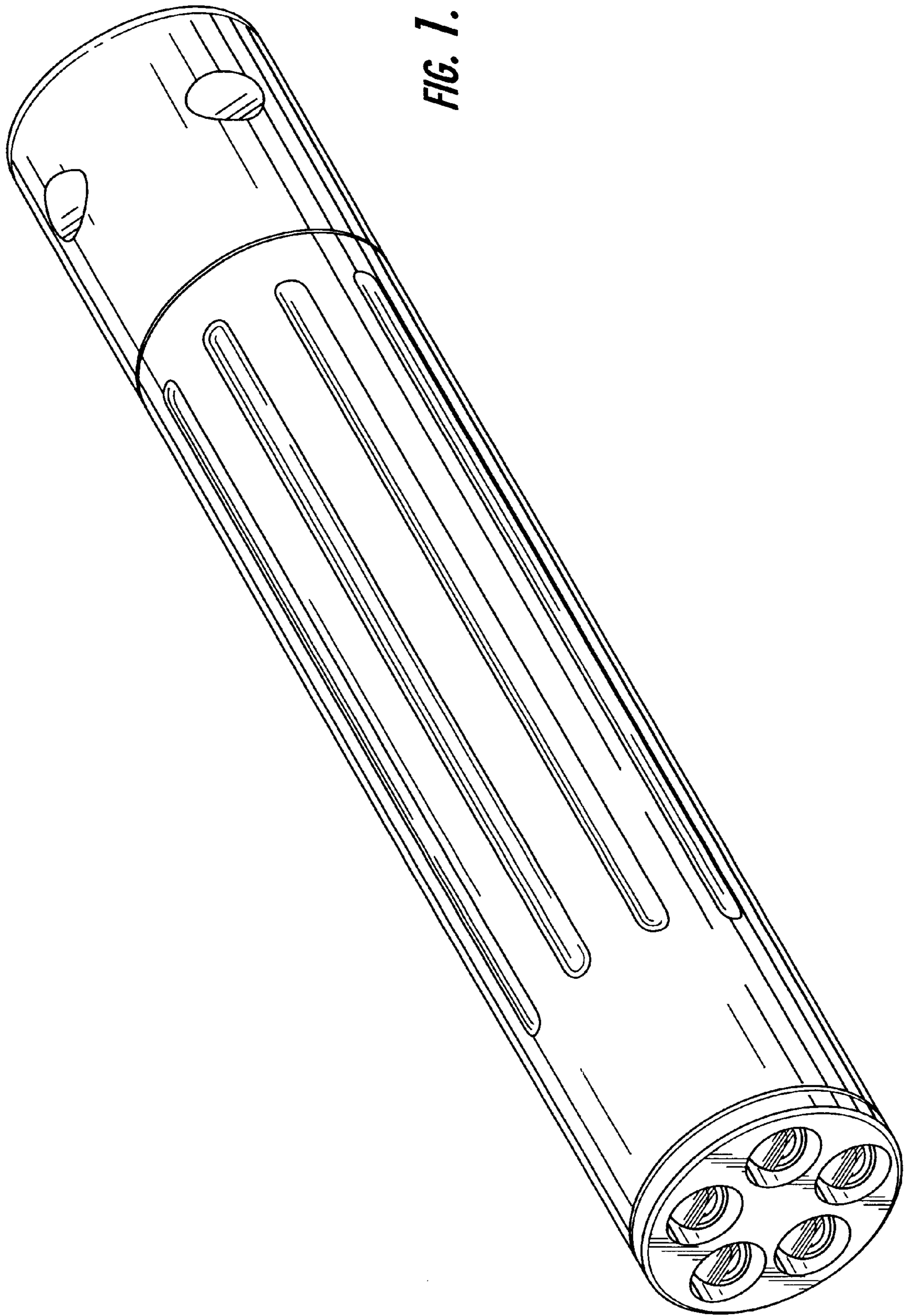


FIG. 1.

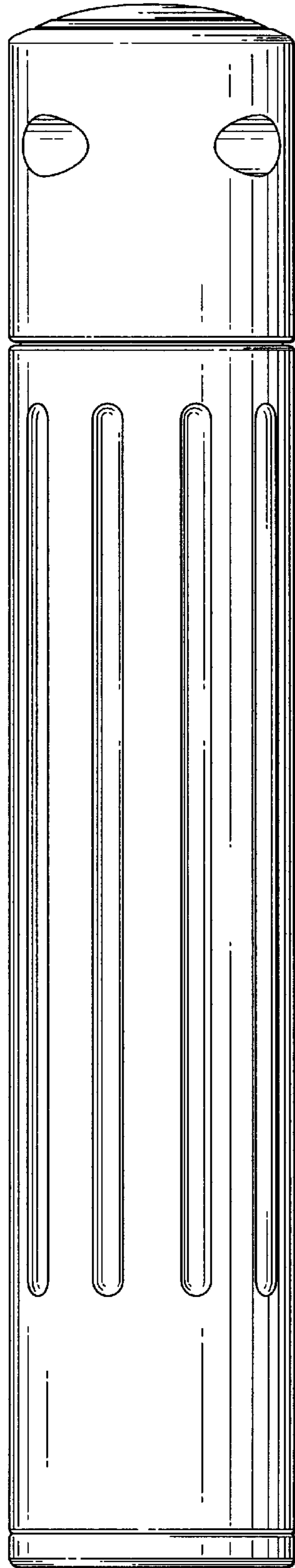


FIG. 2.

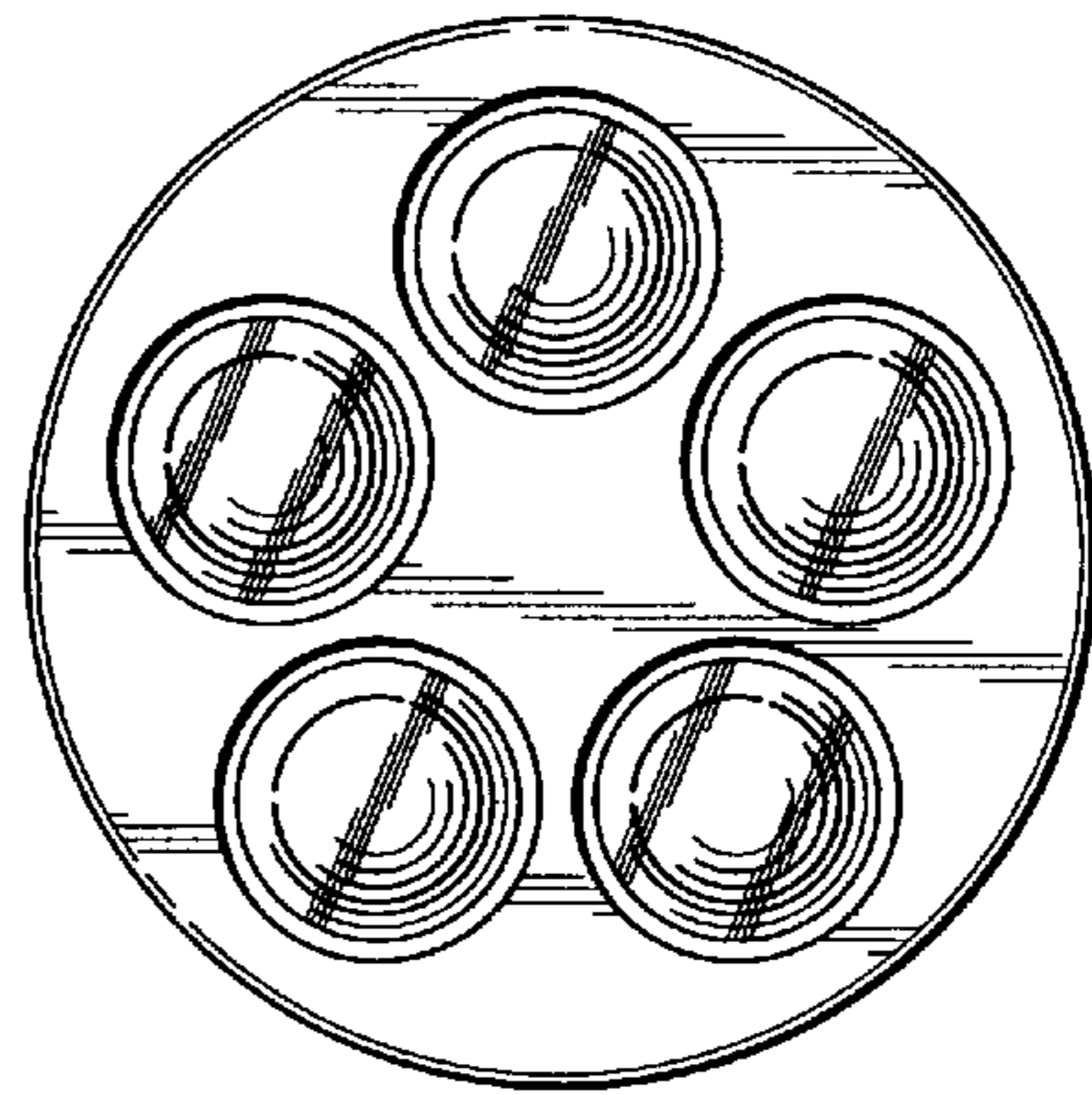


FIG. 3.

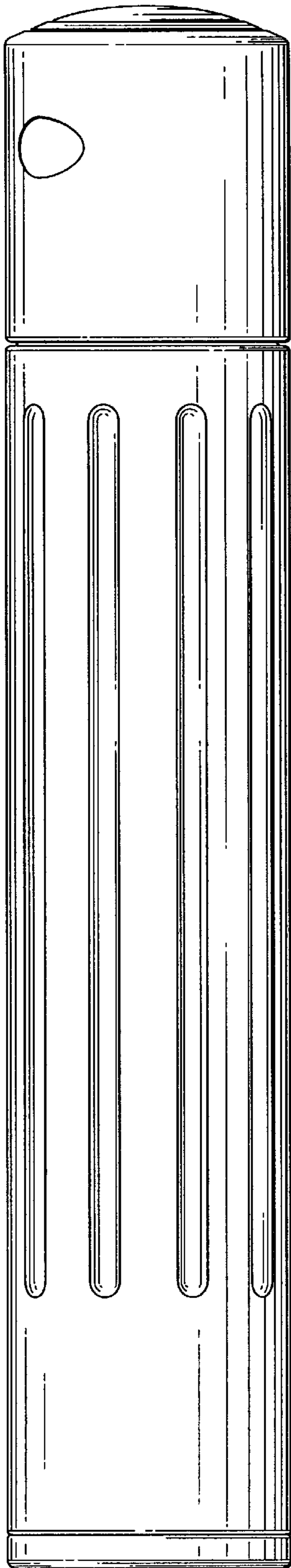


FIG. 4.

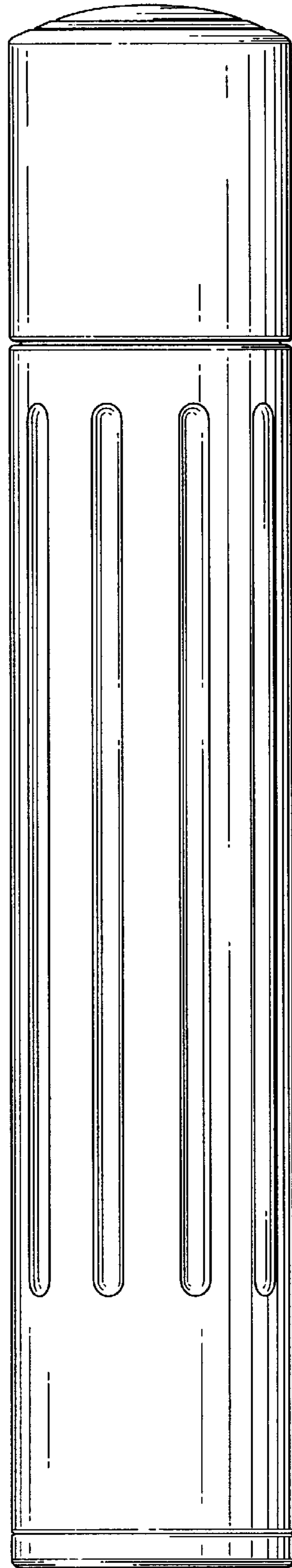


FIG. 5.

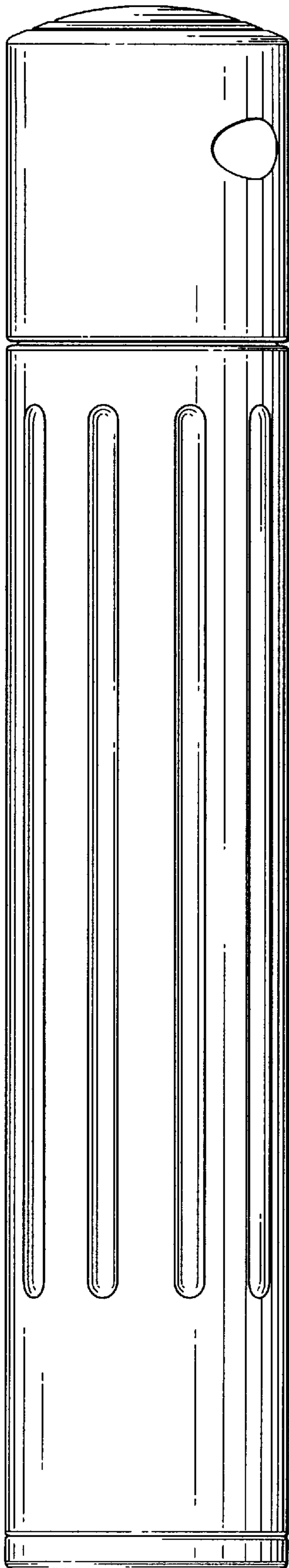


FIG. 6.

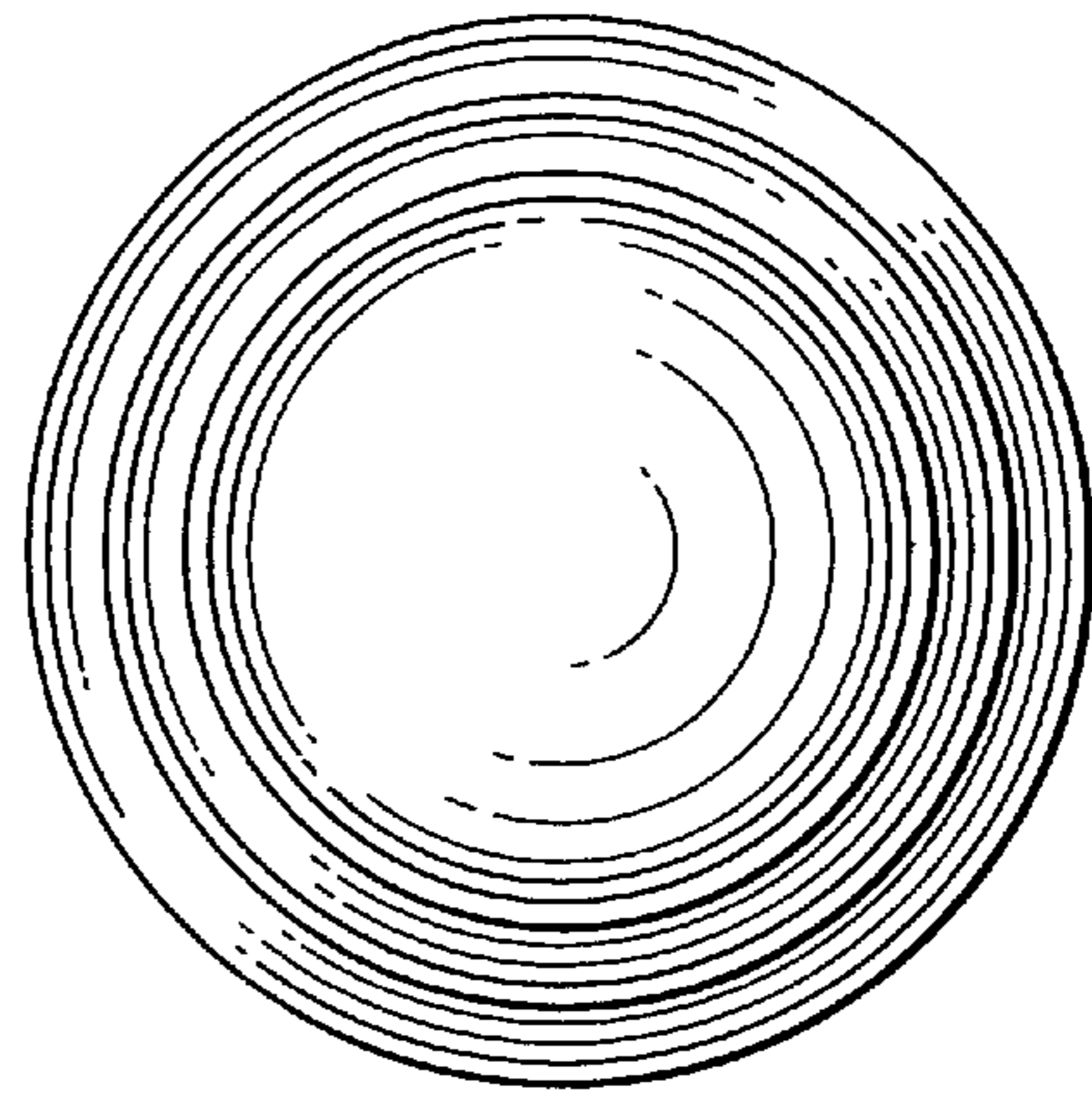


FIG. 7.

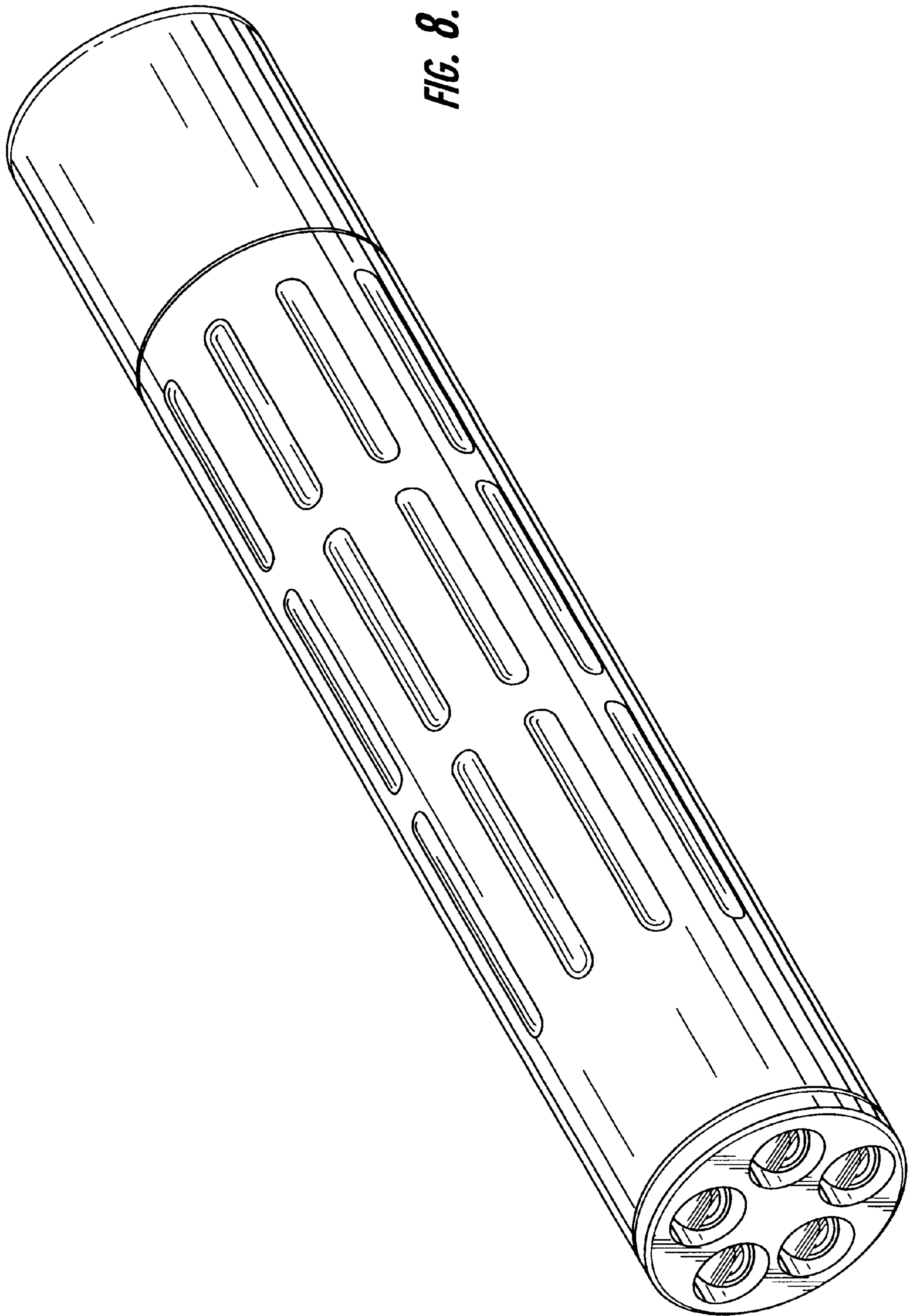


FIG. 8.